

Industrial Automation Headquarters

Delta Electronics, Inc.
Taoyuan Technology Center
No.18, Xinglong Rd., Taoyuan District,
Taoyuan City 33068, Taiwan
TEL: 886-3-362-6301 / FAX: 886-3-371-6301

Asia

Delta Electronics (Shanghai) Co., Ltd.
No.182 Minyu Rd., Pudong Shanghai, P.R.C.
Post code : 201209
TEL: 86-21-6872-3988 / FAX: 86-21-6872-3996
Customer Service: 400-820-9595

Delta Electronics (Japan), Inc.
Tokyo Office
Industrial Automation Sales Department
2-1-14 Shibadai-mon, Minato-ku
Tokyo, Japan 105-0012
TEL: 81-3-5733-1155 / FAX: 81-3-5733-1255

Delta Electronics (Korea), Inc.
Seoul Office
1511, 219, Gasan Digital 1-Ro., Geumcheon-gu,
Seoul, 08501 South Korea
TEL: 82-2-515-5305 / FAX: 82-2-515-5302

Delta Energy Systems (Singapore) Pte Ltd.
4 Kaki Bukit Avenue 1, #05-04, Singapore 417939
TEL: 65-6747-5155 / FAX: 65-6744-9228

Delta Electronics (India) Pvt. Ltd.
Plot No.43, Sector 35, HSIIDC Gurgaon,
PIN 122001, Haryana, India
TEL: 91-124-4874900 / FAX : 91-124-4874945

Delta Electronics (Thailand) PCL.
909 Soi 9, Moo 4, Bangpoo Industrial Estate (E.P.Z),
Pattana 1 Rd., T.Phraksa, A.Muang,
Samutprakarn 10280, Thailand
TEL: 66-2709-2800 / FAX : 662-709-2827

Delta Energy Systems (Australia) Pty Ltd.
Unit 20-21/45 Normanby Rd., Notting Hill Vic 3168, Australia
TEL: 61-3-9543-3720

Americas

Delta Electronics (Americas) Ltd.
Raleigh Office
P.O. Box 12173, 5101 Davis Drive,
Research Triangle Park, NC 27709, U.S.A.
TEL: 1-919-767-3813 / FAX: 1-919-767-3969

Delta Greentech (Brasil) S/A
São Paulo Office
Rua Itapeva, 26 – 3° Andar - Bela Vista
CEP: 01332-000 – São Paulo – SP - Brasil
TEL: 55-11-3530-8642 / 55-11-3530-8640

Delta Electronics International Mexico S.A. de C.V.
Mexico Office
Vía Dr. Gustavo Baz No. 2160, Colonia La Loma,
54060 Tlalnepantla Estado de Mexico
TEL: 52-55-2628-3015 #3050/3052

EMEA

Headquarters: Delta Electronics (Netherlands) B.V.
Sales: Sales.IA.EMEA@deltaww.com
Marketing: Marketing.IA.EMEA@deltaww.com
Technical Support: iatechnicalsupport@deltaww.com
Customer Support: Customer-Support@deltaww.com
Service: Service.IA.emea@deltaww.com
TEL: +31(0)40 800 3800

BENELUX: Delta Electronics (Netherlands) B.V.
De Witbogt 20, 5652 AG Eindhoven, The Netherlands
Mail: Sales.IA.Benelux@deltaww.com
TEL: +31(0)40 800 3800

DACH: Delta Electronics (Netherlands) B.V.
Coesterweg 45, D-59494 Soest, Germany
Mail: Sales.IA.DACH@deltaww.com
TEL: +49(0)2921 987 0

France: Delta Electronics (France) S.A.
ZI du bois Challand 2, 15 rue des Pyrénées,
Lisses, 91090 Evry Cedex, France
Mail: Sales.IA.FR@deltaww.com
TEL: +33(0)1 69 77 82 60

Iberia: Delta Electronics Solutions (Spain) S.L.U
Ctra. De Villaverde a Vallecas, 265 1º Dcha Ed.
Hormigueras – P.I. de Vallecas 28031 Madrid
TEL: +34(0)91 223 74 20
C/Llull, 321-329 (Edifici CINC) | 22@Barcelona, 08019 Barcelona
Mail: Sales.IA.Iberia@deltaww.com
TEL: +34 93 303 00 60

Italy: Delta Electronics (Italy) S.r.l.
Ufficio di Milano Via Senigallia 18/2 20161 Milano (MI)
Piazza Grazioli 18 00186 Roma Italy
Mail: Sales.IA.Italy@deltaww.com
TEL: +39 02 64672538

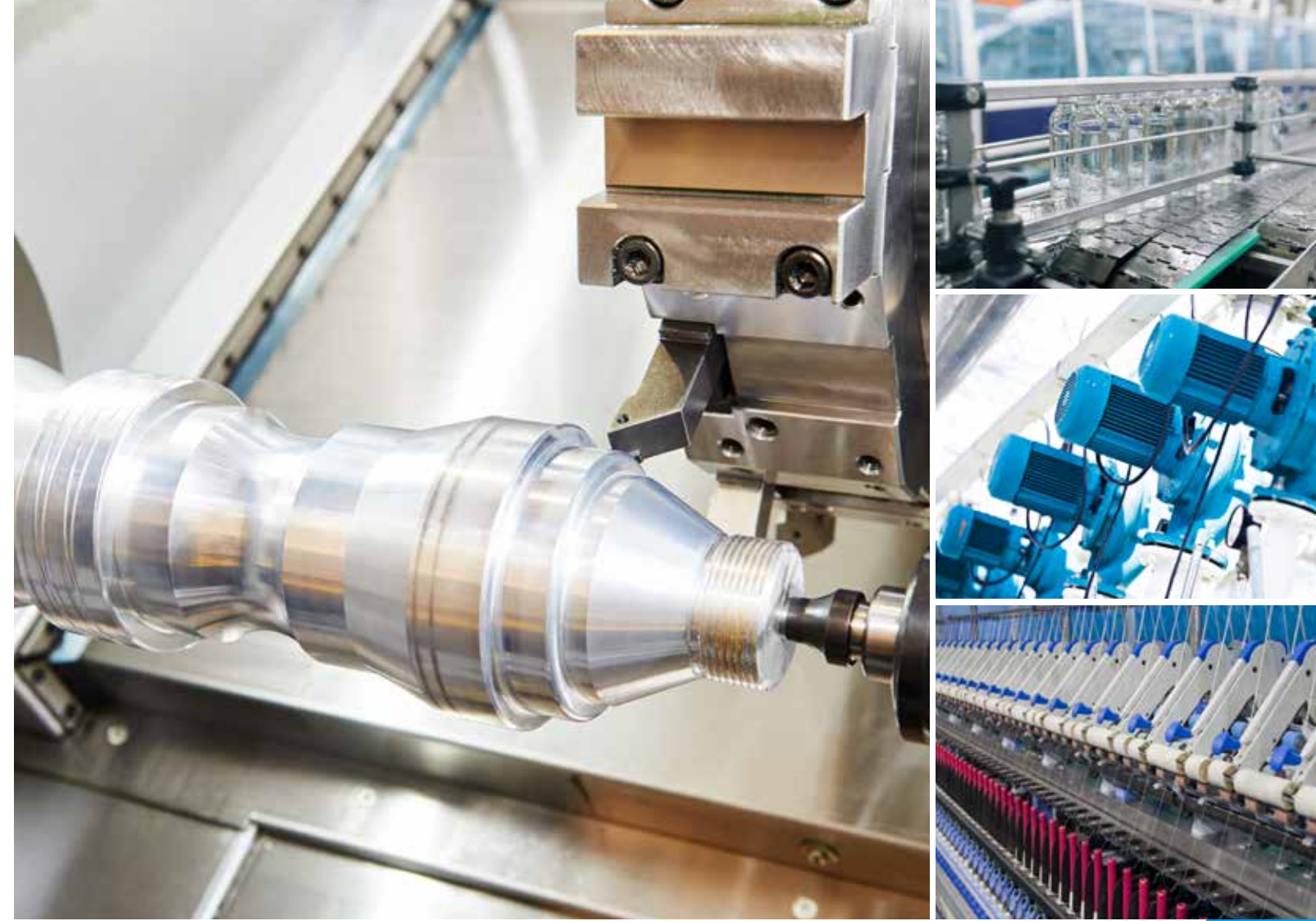
Russia: Delta Energy System LLC
Vereyskaya Plaza II, office 112 Vereyskaya str.
17 121357 Moscow Russia
Mail: Sales.IA.RU@deltaww.com
TEL: +7 495 644 3240

Turkey: Delta Greentech Elektronik San. Ltd. Sti. (Turkey)
Şerifali Mah. Hendem Cad. Kule Sok. No:16-A
34775 Ümraniye – İstanbul
Mail: Sales.IA.Turkey@deltaww.com
TEL: + 90 216 499 9910

GCC: Delta Energy Systems AG (Dubai BR)
P.O. Box 185668, Gate 7, 3rd Floor, Hamarain Centre
Dubai, United Arab Emirates
Mail: Sales.IA.MEA@deltaww.com
TEL: +971(0)4 2690148

Egypt + North Africa: Delta Electronics
511 Cairo Business Plaza, North 90 street,
New Cairo, Cairo, Egypt
Mail: Sales.IA.MEA@deltaww.com

Delta Standard Compact Drive - MS300 Series User Manual



Delta Standard Compact Drive MS300 Series User Manual



www.deltaww.com

Copyright notice

©Delta Electronics, Inc. All rights reserved.

All information contained in this user manual is the exclusive property of Delta Electronics Inc. (hereinafter referred to as "Delta") and is protected by copyright law and all other laws. Delta retains the exclusive rights of this user manual in accordance with the copyright law and all other laws. No parts in this manual may be reproduced, transmitted, transcribed, translated or used in any other ways without the prior consent of Delta.

Limitation of Liability

The contents of this user manual are only for the use of the AC motor drives manufactured by Delta. Except as defined in special mandatory laws, Delta provides this user manual "as is" and does not offer any kind of warranty through this user manual for using the product, either express or implied, including but not limited to the following: (i) this product will meet your needs or expectations; (ii) the information contained in the product is current and correct; (iii) the product does not infringe any rights of any other person. You shall bear your own risk to use this product.

In no event shall Delta, its subsidiaries, affiliates, managers, employees, agents, partners and licensors be liable for any direct, indirect, incidental, special, derivative or consequential damages (including but not limited to the damages for loss of profits, goodwill, use or other intangible losses) unless the laws contains special mandatory provisions to the contrary.

Delta reserves the right to make changes to the user manual and the products described in the user manual without prior notice and afterwards.

PLEASE READ PRIOR TO INSTALLATION FOR SAFETY.



- ☑ Disconnect AC input power before connecting any wiring to the AC motor drive.
- ☑ There are highly sensitive MOS components on the printed circuit boards. These components are especially sensitive to static electricity. Take anti-static measures before touching these components or the circuit boards. These components are especially sensitive to static electricity. Please do not touch these components or the circuit boards before taking anti-static measures.
- ☑ Never modify the internal components or wiring.
- ☑ Ground the AC motor drive by using the ground terminal. The grounding method must comply with the laws of the country where the AC motor drive is to be installed.
- ☑ DO NOT install the AC motor drive in a place subjected to high temperature, direct sunlight and inflammables.



- ☑ Never connect the AC motor drive output terminals U/T1, V/T2 and W/T3 directly to the AC mains circuit power supply.
- ☑ After finishing the wiring of the AC motor drive, check if U/T1, V/T2 and W/T3 are short-circuited to ground with a multimeter. Do NOT power the drive if short circuits occur. Eliminate the short circuits before the drive is powered.
- ☑ Rated voltage of power system to install motor drives is as below, make sure that the installation voltage is within the ranges mentioned below while installing the motor drives:
 For 115V models, the range is between 85–132 V.
 For 230V models, the range is between 170–264 V.
 For 460V models, the range is between 323–528 V.
 For 575V models, the range is between 425V–660V.

- ☑ Refer to the table below for short circuit rating:

Model (Power)	Short circuit rating
115V	5 kA
230V	5 kA
460V	5 kA
575V	5 kA

- ☑ Only qualified persons are allowed to install, wire and maintain the AC motor drives.
- ☑ Even if the three-phase AC motor is stopped, a charge with hazardous voltages may still remain in the main circuit terminals of the AC motor drive.
- ☑ The performance of electrolytic capacitor will degrade if it is not charged for a long time. It is recommended to charge the drive which is stored in no charge condition every 2 years for 3–4 hours to restore the performance of electrolytic capacitor in the motor drive.

Note: When power up the motor drive, use adjustable AC power source (ex. AC autotransformer) to charge the drive at 70%~80% of rated voltage for 30 minutes (do not run the motor drive). Then charge the drive at 100% of rated voltage for an hour (do not run the motor drive). By doing these, restore the performance of electrolytic

capacitor before starting to run the motor drive. Do NOT run the motor drive at 100% rated voltage right away.

- ☑ Pay attention to the following when transporting and installing this package (including wooden crate and wood stave).
 - 1 If you need to deworm the wooden crate, do not use fumigation or you will damage the drive. Any damage to the drive caused by using fumigation voids the warranty.
 - 2 Use other methods, such as heat treatment or any other non-fumigation treatment, to deworm the wood packaging material.
 - 3 If you use heat treatment to deworm, leave the packaging materials in an environment of over 56°C for a minimum of thirty minutes.
- ☑ Connect the drive to a three-phase three-wire or three-phase four-wire Wye system to comply with UL standards.
- ☑ If the motor drive produces a leakage current of over 3.5mA AC or over 10mA DC on the Protective Earthing conductor, the minimum specifications required of the Protective Earthing conductor to be installed have to comply with the national, local laws and regulations or follow IEC61800-5-1 to do grounding.

 **NOTE**

- In the pictures in this manual, the cover or safety shield is disassembled only when explaining the details of the product. During operation, install the top cover and wiring correctly according to the provisions. Refer to the operation descriptions in the manual to ensure safety.
- The figures in this instruction are only for reference and may be slightly different depending on your model, but it will not affect your customer rights.
- The content of this manual may be revised without prior notice. Consult our distributors or download the latest version at http://www.deltaww.com/iadownload_acmotordrive.

Table of Contents

CHAPTER 1 INTRODUCTION	1-1
1-1 Nameplate Information.....	1-2
1-2 Model Name.....	1-3
1-3 Serial Number.....	1-3
1-4 Apply After Service by Mobile Device.....	1-4
1-5 RFI Jumper.....	1-5
CHAPTER 2 DIMENSIONS.....	2-1
2-1 Frame A.....	2-2
2-2 Frame B.....	2-3
2-3 Frame C.....	2-4
2-4 Frame D.....	2-5
2-5 Frame E.....	2-6
2-6 Frame F.....	2-7
2-7 Digital Keypad.....	2-8
CHAPTER 3 INSTALLATION.....	3-1
3-1 Mounting Clearance.....	3-2
3-2 Airflow and Power Dissipation.....	3-3
CHAPTER 4 WIRING	4-1
4-1 System Wiring Diagram	4-3
4-2 Wiring.....	4-4
CHAPTER 5 MAIN CIRCUIT TERMINALS	5-1
5-1 Main Circuit Diagram.....	5-4
5-2 Main Circuit Terminals Specifications.....	5-5
Frame A.....	5-6
Frame B.....	5-7
Frame C.....	5-8
Frame D.....	5-9
Frame E.....	5-10
Frame F.....	5-11
CHPATER 6 CONTROL TERMINALS	6-1
6-1 Control Terminal Specifications.....	6-4

CHAPTER 7 OPTIONAL ACCESSORIES	7-1
7-1 Brake Resistors and Brake Units Used in AC Motor Drives.....	7-2
7-2 Magnetic Contactor / Air Circuit Breaker and Non-fuse Circuit Breaker.....	7-6
7-3 Fuse Specification Chart.....	7-10
7-4 AC / DC Reactor.....	7-12
7-5 Zero Phase Reactors.....	7-35
7-6 EMC Filter.....	7-38
7-7 EMC Shield Plate.....	7-44
7-8 Capacitive Filter.....	7-47
7-9 Conduit Box.....	7-49
7-10 Fan Kit.....	7-57
7-11 Keypad Panel Mounting	7-58
7-12 DIN-Rail Mounting.....	7-59
7-13 Mounting Adapter Plate.....	7-61
7-14 Digital Keypad - KPC-CC01.....	7-66
CHAPTER 8 OPTION CARDS	8-1
8-1 Option Card Installation.....	8-2
8-2 CMM-PD02 -- Communication Extension Card, PROFIBUS DP.....	8-8
8-3 CMM-DN02 -- Communication Extension Card, DeviceNet.....	8-10
8-4 CMM-EIP02 -- Communication Extension Card, EtherNet/IP.....	8-13
8-5 CMM-COP02 -- Communication Extension Card, CANopen.....	8-17
8-6 CMM-EC02 -- Communication Extension Card, EtherCAT.....	8-19
8-7 EMM-BPS02 -- +24 V Power Extension Card.....	8-20
8-8 Delta Standard Fieldbus Cables.....	8-21
CHAPTER 9 SPECIFICATION	9-1
9-1 115V Series.....	9-2
9-2 230V Series.....	9-3
9-3 460V Series.....	9-5
9-4 575V Series.....	9-7
9-5 General Specifications.....	9-8
9-6 Environment for Operation, Storage and Transportation.....	9-9
9-7 Derating for Ambient Temperature, Altitude and Carrier Frequency.....	9-10
CHAPTER 10 DIGITAL KEYPAD	10-1
CHAPTER 11 SUMMARY OF PARAMETERS SETTINGS	11-1

CHAPTER 12 DESCRIPTION OF PARAMETER SETTINGS.....	12-00-1
12-1 Description of Parameter Settings.....	12-00-1
00 Drive Parameters.....	12.1-00-1
01 Basic Parameters.....	12.1-01-1
02 Digital Input / Output Parameters.....	12.1-02-1
03 Analog Input / Output Parameters.....	12.1-03-1
04 Multi-step Speed Parameters.....	12.1-04-1
05 Motor Parameters.....	12.1-05-1
06 Protection Parameters (1).....	12.1-06-1
07 Special Parameters.....	12.1-07-1
08 High-function PID Parameters.....	12.1-08-1
09 Communication Parameters.....	12.1-09-1
10 Speed Feedback Control Parameters.....	12.1-10-1
11 Advanced Parameters.....	12.1-11-1
13 Macro / User-Defined Macro.....	12.1-13-1
14 Protection Parameters (2).....	12.1-14-1
12-2 Adjustment & Application.....	12.2-1
CHAPTER 13 WARNING CODES	13-1
CHAPTER 14 ERROR CODES.....	14-1
CHAPTER 15 CANOPEN OVERVIEW	15-1
15-1 CANopen Overview.....	15-3
15-2 Wiring for CANopen.....	15-7
15-3 CANopen Communication Interface Descriptions.....	15-8
15-4 CANopen Supporting Index.....	15-16
15-5 CANopen Fault Codes.....	15-21
15-6 CANopen LED Function.....	15-24
CHAPTER 16 PLC FUNCTION APPLICATIONS.....	16-1
16-1 PLC Summary.....	16-2
16-2 Notes Before Using a PLC.....	16-3
16-3 Turn on.....	16-5
16-4 Basic Principles of PLC Ladder Diagrams.....	16-16
16-5 Various PLC Device Functions.....	16-28
16-6 Introduction to the Command Window.....	16-36
16-7 Error Display and Handling.....	16-106
16-8 Explanation of PLC Speed Mode Control.....	16-107
16-9 Count Function Using Pulse Input.....	16-109

CHAPTER 17 SAFE TORQUE OFF FUNCTION.....	17-1
17-1 Basic Function Description.....	17-2
17-2 Safe Torque Off Terminal Function Description.....	17-3
17-3 Wiring Diagram.....	17-4
17-4 Failure Rate of the Drive Safety Function.....	17-5
17-5 Reset the Parameter Settings.....	17-5
17-6 Timing Diagram Description.....	17-6
17-7 Error Code and Troubleshooting Instructions.....	17-9
17-8 Test and Fault Confirmation.....	17-11
APPENDIX A-REVISION HISTORY.....	A-1

Issued Edition: 02

Firmware Version: V1.XX (Refer to Parameter 00-06 on the product to get the firmware version.)

Issued Date: 2019/12

[This page intentionally left blank]

Chapter 1 Introduction

1-1 Nameplate Information

1-2 Model Name

1-3 Serial Number

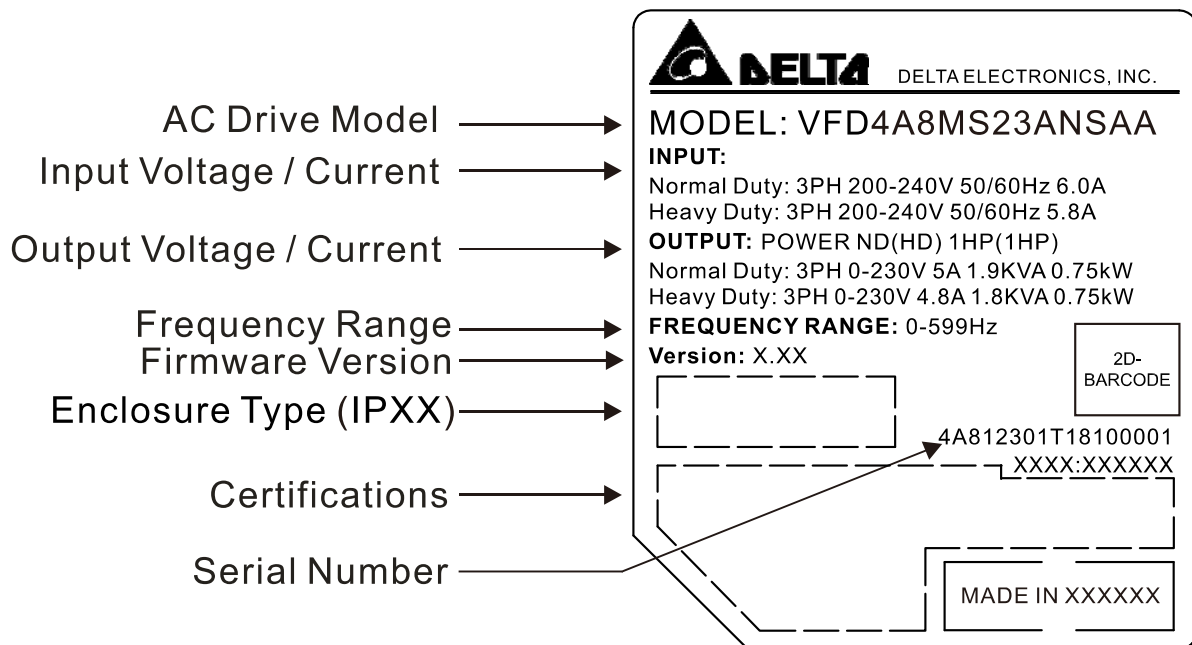
1-4 Apply After Service by Mobile Device

1-5 RFI Jumper

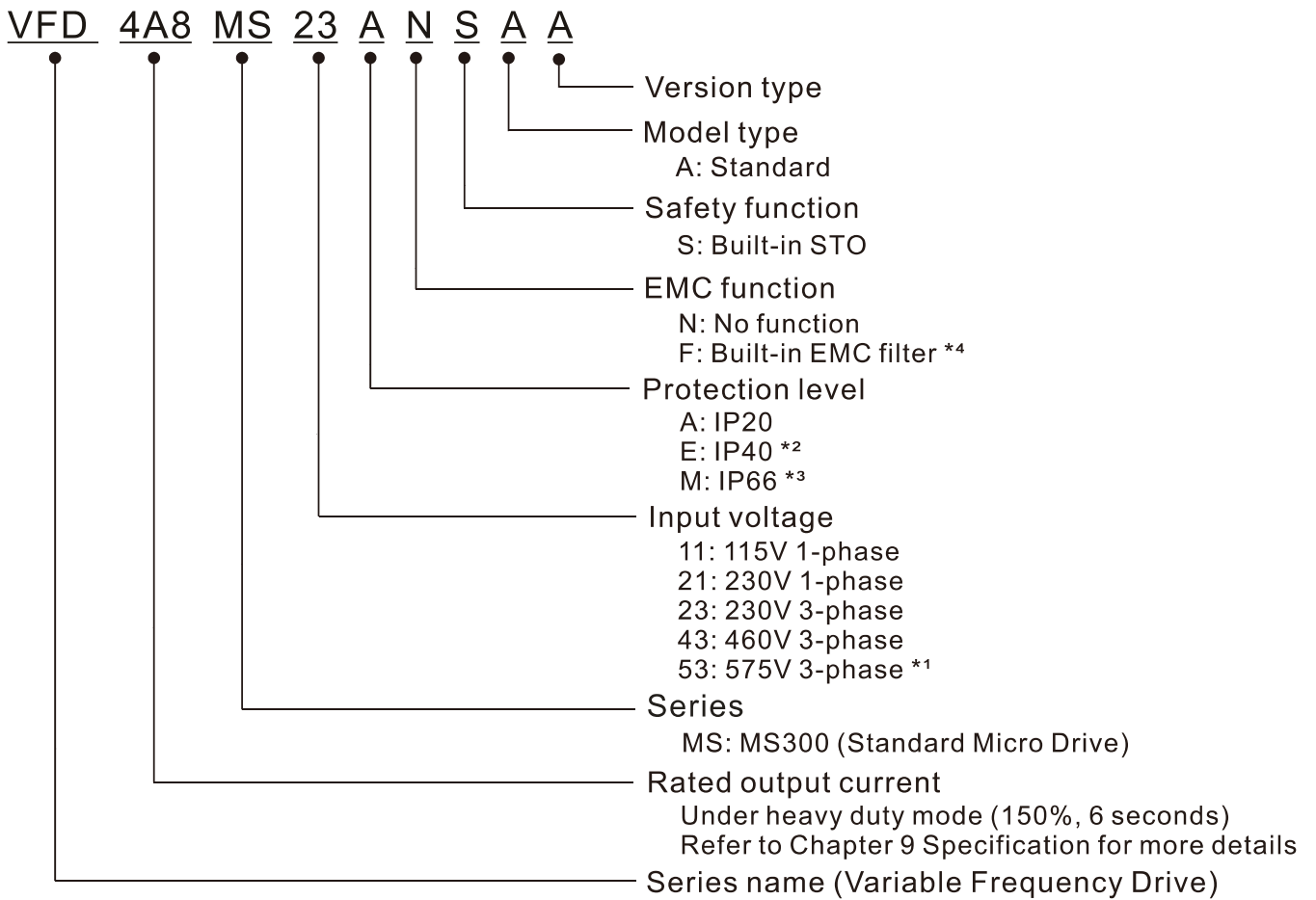
After receiving the AC motor drive, check for the following:

1. Inspect the unit after unpacking to ensure that it was not damaged during shipment. Make sure that the part number printed on the package matches the part number indicated on the nameplate.
2. Make sure that the mains voltage is within the range indicated on the nameplate. Install the AC motor drive according to the instructions in this manual.
3. Before applying power, make sure that all devices, including mains power, motor, control board and digital keypad, are connected correctly.
4. When wiring the AC motor drive, make sure that the wiring of input terminals “R/L1, S/L2, T/L3” and output terminals “U/T1, V/T2, W/T3” are correct to prevent damage to the drive.
5. When power is applied, use the digital keypad (KPMS-LE01) to select the language and set parameters. When executing a trial run, begin with a low speed and then gradually increase the speed to the desired speed.

1-1 Nameplate Information

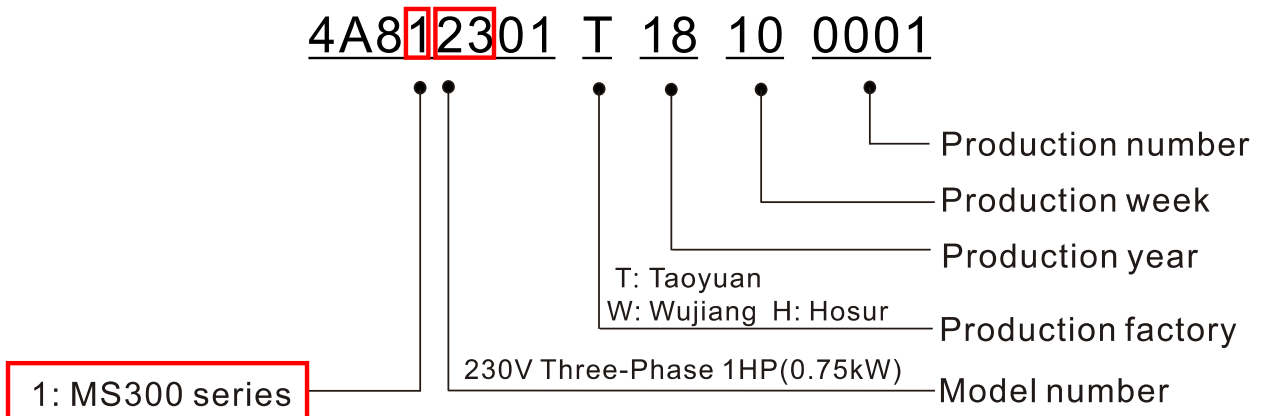


1-2 Model Name



- *1. For IP20 models only.
- *2. Not applicable for models of 575V input voltage.
- *3. Not applicable for models of 115V and 575V input voltage.
- *4. For 230V input voltage (one-phase) and 460V input voltage (three-phase) models only.

1-3 Serial Number

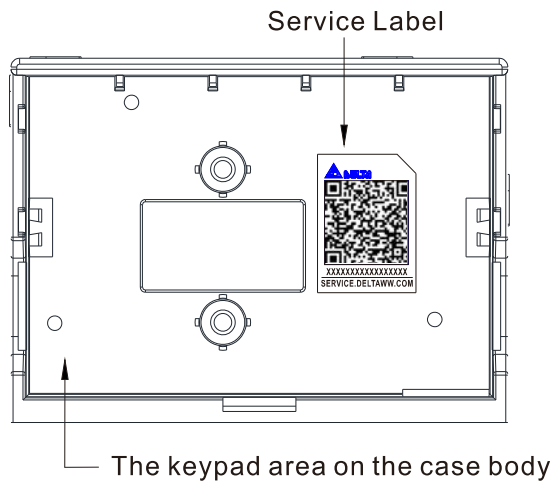


1-4 Apply After Service by Mobile Device

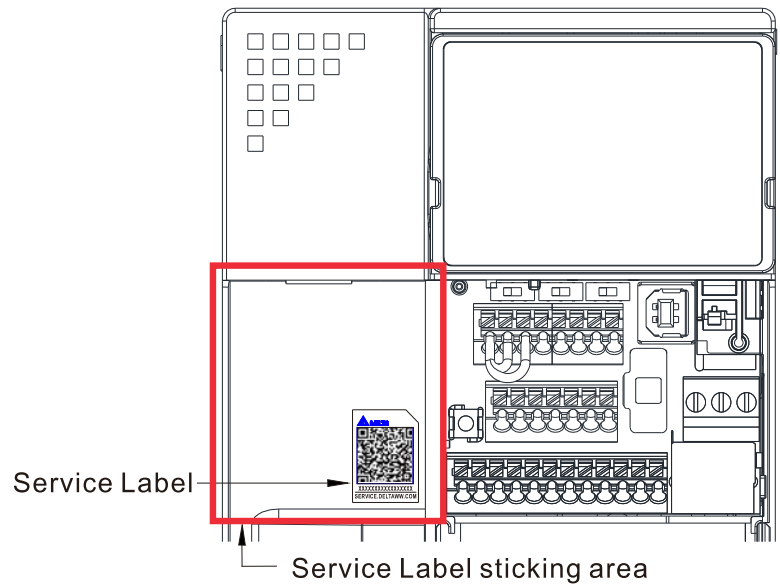
1-4-1 Location of Service Link Label

Service link label (Service Label) is pasted on the area as the drawing below shows.

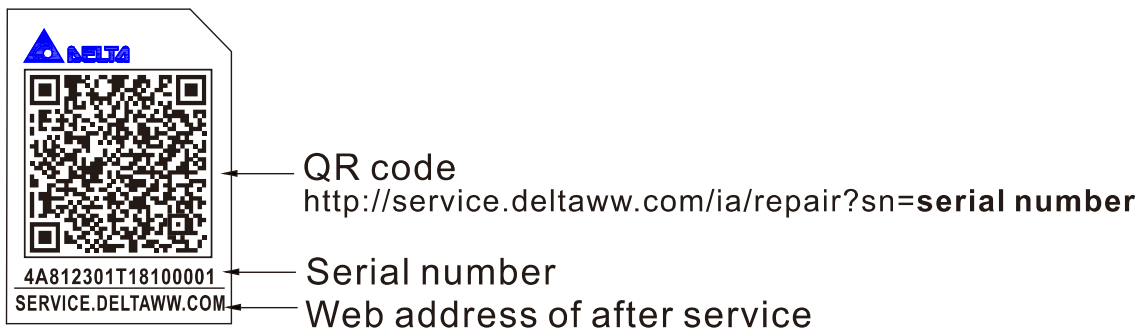
Frame A, B



Frame C-F



1-4-2 Service Link Label



Scan QR Code to request service

1. Find the QR code sticker (as shown above).
2. Use a smartphone to run a QR Code reader APP.
3. Point your camera at the QR Code. Hold your camera steady until the QR code comes into focus.
4. Access the Delta After Service website.
5. Fill your information into the column marked with an orange star.
6. Enter the CAPTCHA and click "Submit" to complete the application.

Cannot find the QR Code?

1. Open a web browser on your computer or smartphone.
2. Enter <https://service.deltaww.com/ia/repair> in browser address bar and press the Enter key.
3. Fill your information into the columns marked with an orange star.
4. Enter the CAPTCHA and click "Submit" to complete the application.

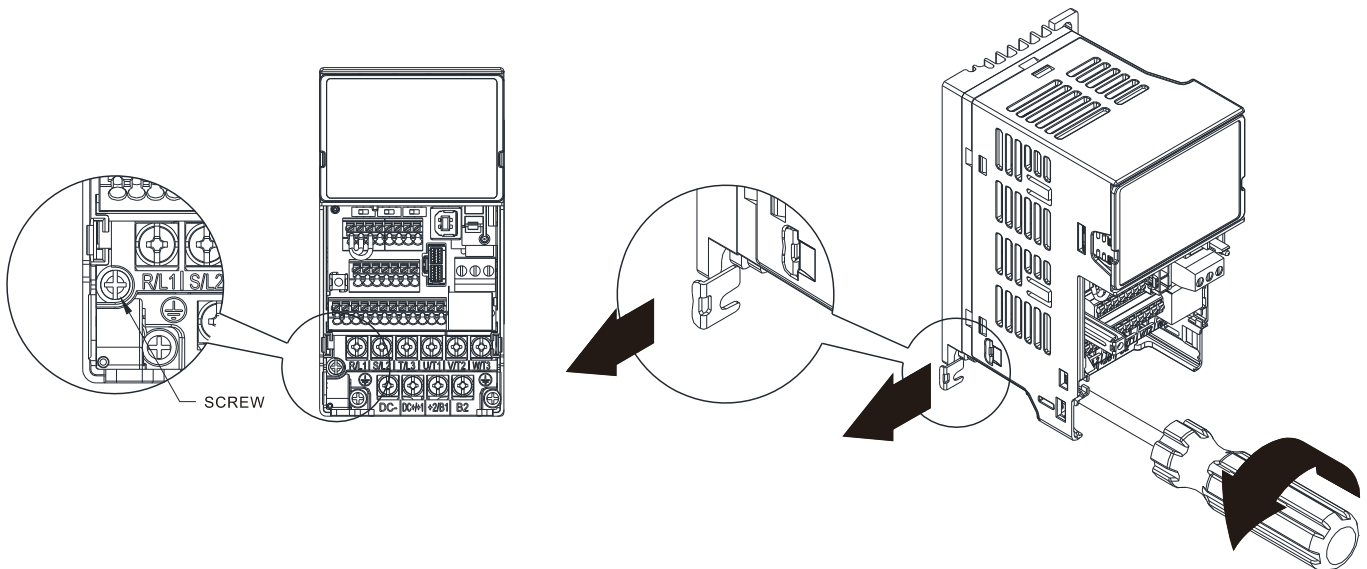
1-5 RFI Jumper

- 1 The drive contains Varistors / MOVs that are connected from phase to phase and from phase to ground to prevent the drive from unexpected stop or damage caused by mains surges or voltage spikes. Because the Varistors / MOVs from phase to ground are connected to ground with the RFI jumper, removing the RFI jumper disables the protection.
- 2 In models with a built-in EMC filter, the RFI jumper connects the filter capacitors to ground to form a return path for high frequency noise in order to isolate the noise from contaminating the mains power. Removing the RFI jumper strongly reduces the effect of the built-in EMC filter. Although a single drive complies with the international standards for leakage current, an installation with several drives with built-in EMC filters can trigger the RCD. Removing the RFI jumper helps, but the EMC performance of each drive is no longer guaranteed.

Frame A–F Screw Torque: 4–6 kg-cm / [3.5–5.2 lb-in.] / [0.39–0.59 Nm]

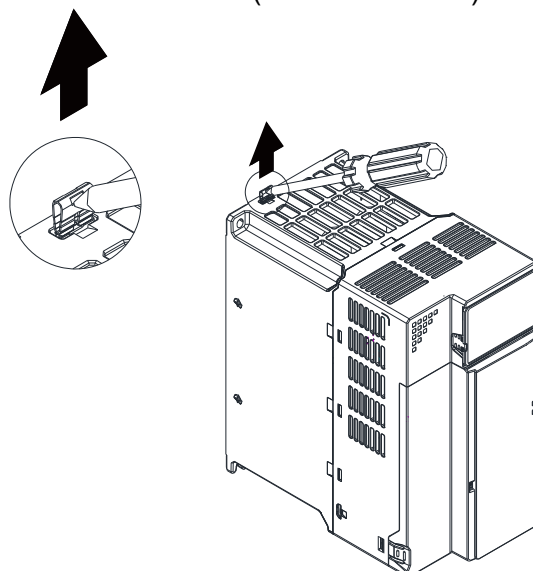
Loosen the screw and remove the RFI jumper (as shown below).

Tighten the screw again after you remove the RFI jumper.



Frame B–F (model with built-in EMC filter)

Remove the RFI jumper with a slotted screwdriver (as shown below).

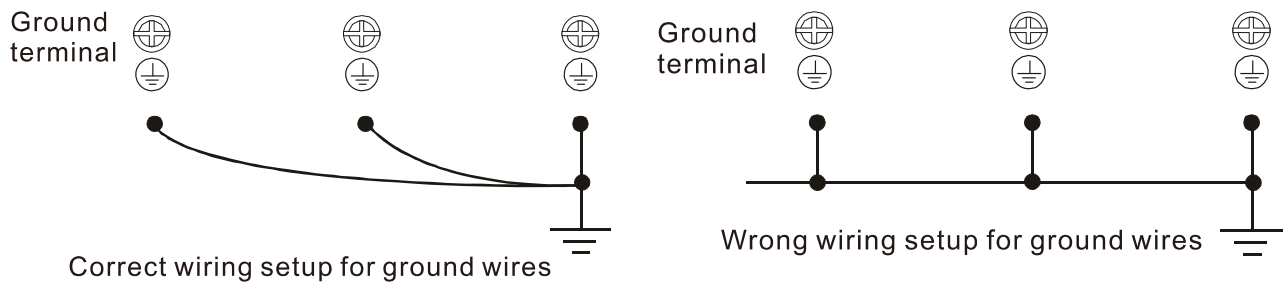


Isolating main power from ground:

When the power distribution system for the drive is a floating ground system (IT Systems) or an asymmetric ground system (Corner Grounded TN Systems), you must remove the RFI jumper. Removing the RFI jumper disconnects the internal capacitors from ground to avoid damaging the internal circuits and to reduce the ground leakage current.

Important points regarding ground connection

- ☑ To ensure the safety of personnel, proper operation, and to reduce electromagnetic radiation, you must properly ground the motor and drive during installation.
- ☑ The diameter of the grounding cables must comply with the local safety regulations.
- ☑ You must connect the shielded cable to the motor drive’s ground to meet safety regulations.
- ☑ Only use the shielded cable as the ground for equipment when the aforementioned points are met.
- ☑ When installing multiple drives, do not connect the grounds of the drives in series but connect each drive to ground. The following pictures show the correct and wrong ways to connect the grounds.



Pay particular attention to the following points:

- ☑ Do not remove the RFI jumper while the power is on.
- ☑ Removing the RFI jumper also cuts the capacitor conductivity of the surge absorber to ground and the built-in EMC filter capacitors. Compliance with the EMC specifications is no longer guaranteed.
- ☑ Do not remove the RFI jumper if the mains power is a symmetrical grounded power system in order to maintain the efficiency for EMC circuit.
- ☑ Remove the RFI jumper when conducting high voltage tests. When conducting a high voltage test to the entire facility, disconnect the mains power and the motor if the leakage current is too high.

Floating Ground System (IT Systems)

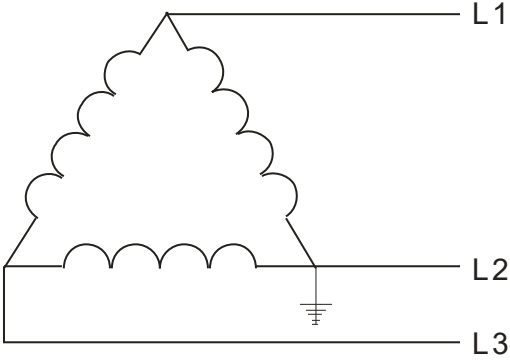
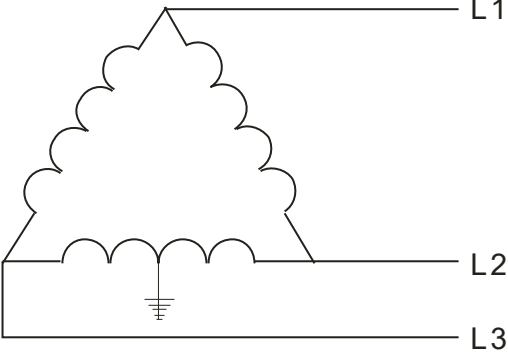
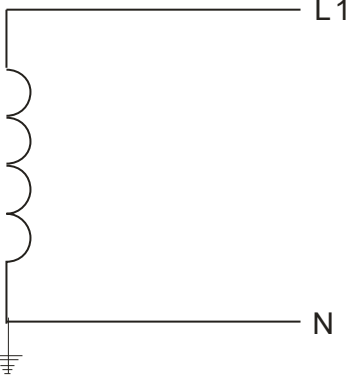
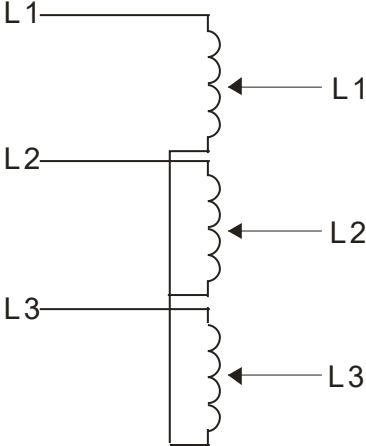
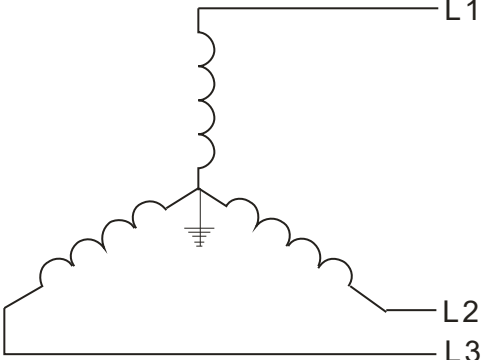
A floating ground system is also called an IT system, an ungrounded system, or a high impedance/resistance (greater than 30 Ω) grounded system.

- ☑ Remove the RFI jumper to disconnect the ground cable from the internal filter capacitor and surge absorber.
- ☑ Do not install an external RFI/EMC filter. The external EMC filter passes through a filter capacitor and connects power input to the ground. This is very dangerous and damages the motor drive.
- ☑ In situations where EMC is required, use an EMC filter specifically for IT system if necessary. Disconnecting the ground cable from the filter prevents damage to the motor drive but compliance with EMC is no longer guaranteed.
- ☑ In situations where EMC is required, check for excess electromagnetic radiation affecting nearby low-voltage circuits. In some situations, the adapter and cable naturally provide enough suppression. If in doubt, install an extra electrostatic shielded cable on the power supply side between the main circuit and the control terminals to increase shielding.

Asymmetric Ground System (Corner Grounded TN Systems)

Caution: Do not remove the RFI jumper while power to the input terminal of the drive is ON.

In the following four situations, you must remove the RFI jumper. This is to prevent the system from grounding through the RFI and filter capacitors and damaging the drive.

You must remove the RFI jumper for an asymmetric ground system	
<p>1. Grounding at a corner in a triangle configuration</p> 	<p>2. Grounding at a midpoint in a polygonal configuration</p> 
<p>3. Grounding at one end in a single-phase configuration</p> 	<p>4. No stable neutral grounding in a three-phase autotransformer configuration</p> 
You can use the RFI jumper for a symmetrical grounding power system	
<p>In a situation with a symmetrical grounding power system, you can use the RFI jumper to maintain the effect of the built-in EMC filter and surge absorber. For example, the diagram on the right is a symmetrical grounding power system.</p>	

[This page intentionally left blank]

Chapter 2 Dimensions

2-1 Frame A

2-2 Frame B

2-3 Frame C

2-4 Frame D

2-5 Frame E

2-6 Frame F

2-7 Digital Keypad

2-1 Frame A

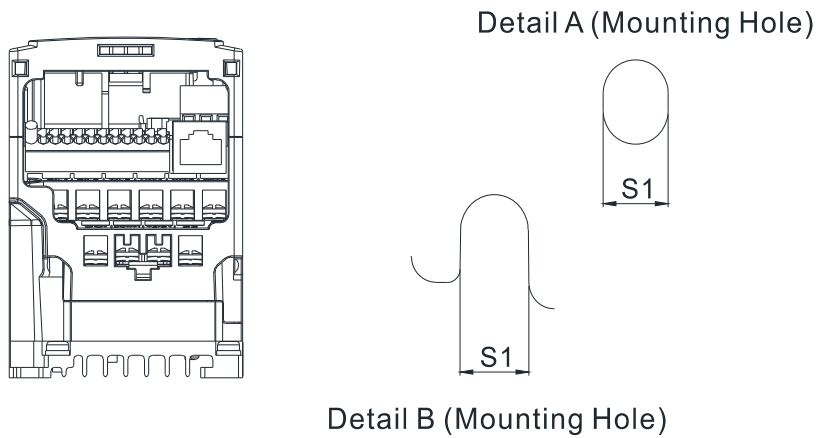
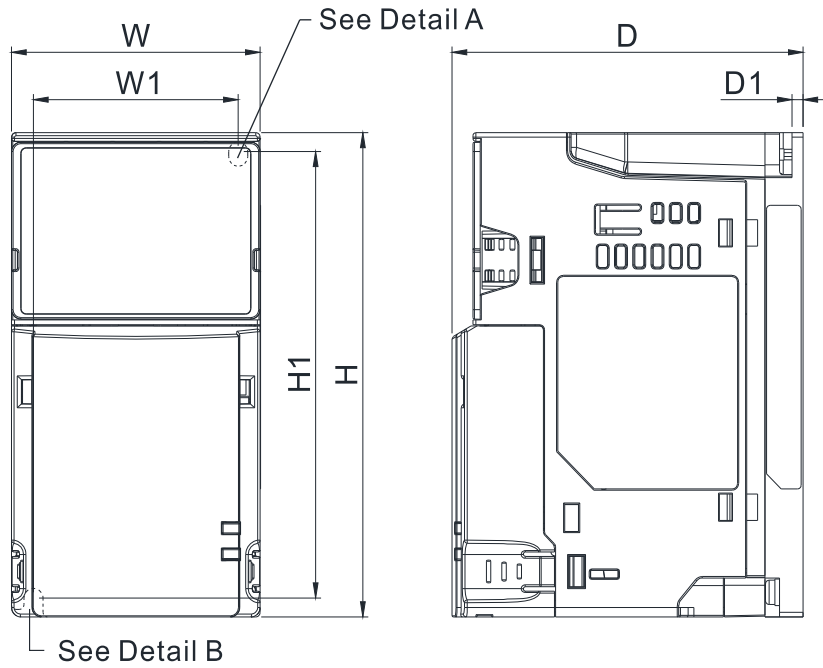
A1: VFD1A6MS11ANSAA; VFD1A6MS11ENSAA; VFD1A6MS21ANSAA; VFD1A6MS21ENSAA;
 VFD1A6MS23ANSAA; VFD1A6MS23ENSAA

A2: VFD2A8MS23ANSAA; VFD2A8MS23ENSAA

A3: VFD2A5MS11ANSAA; VFD2A5MS11ENSAA; VFD2A8MS21ANSAA; VFD2A8MS21ENSAA

A4: VFD1A5MS43ANSAA; VFD1A5MS43ENSAA

A5: VFD4A8MS23ANSAA; VFD4A8MS23ENSAA; VFD2A7MS43ANSAA; VFD2A7MS43ENSAA;
 VFD1A7MS53ANSAA



Unit: mm [inch]

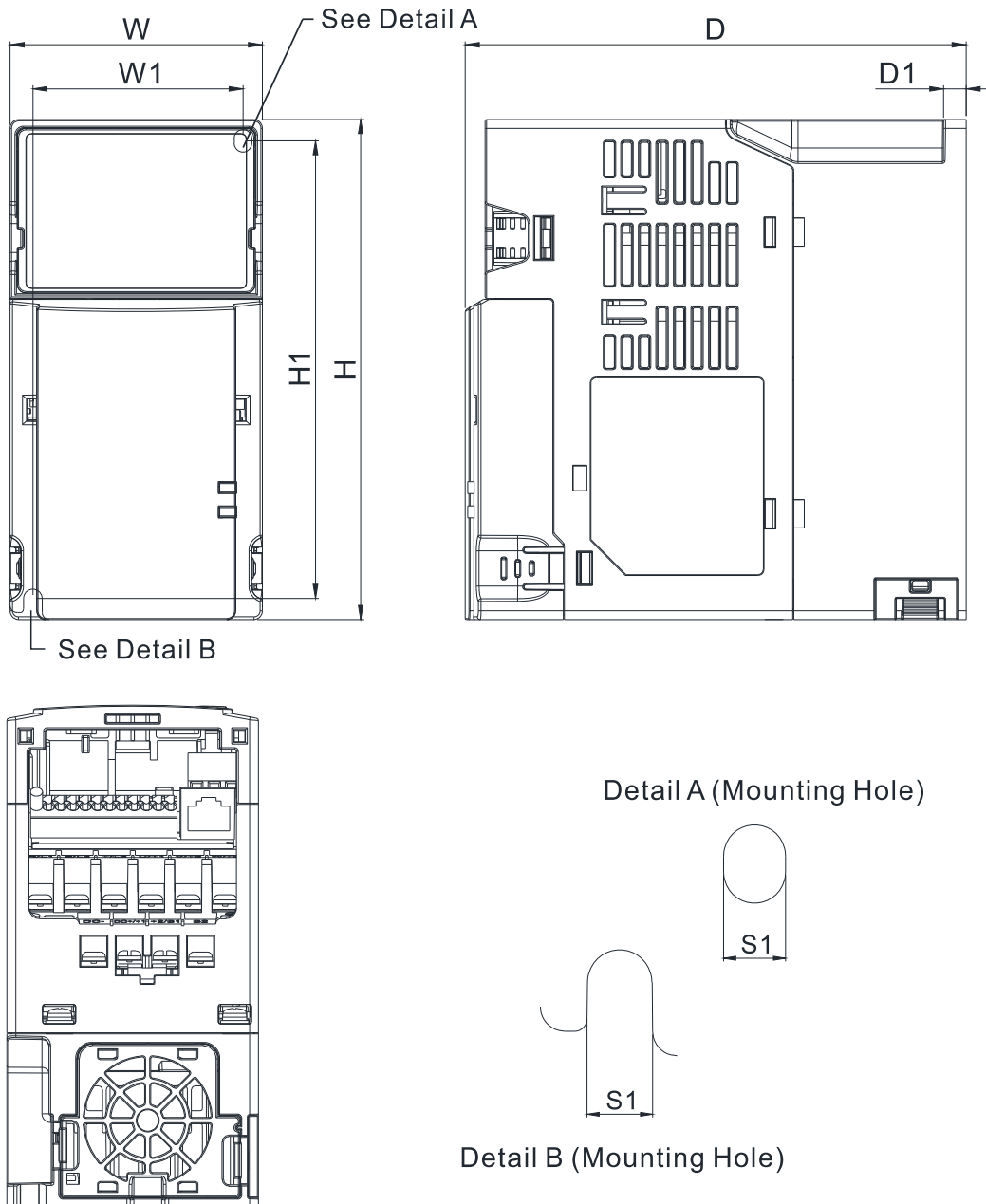
Frame	W	H	D	W1	H1	D1	S1
A1	68.0 [2.68]	128.0 [5.04]	96.0 [3.78]	56.0 [2.20]	118.0 [4.65]	3.0 [0.12]	5.2 [0.20]
A2	68.0 [2.68]	128.0 [5.04]	110.0 [4.33]	56.0 [2.20]	118.0 [4.65]	3.0 [0.12]	5.2 [0.20]
A3	68.0 [2.68]	128.0 [5.04]	125.0 [4.92]	56.0 [2.20]	118.0 [4.65]	3.0 [0.12]	5.2 [0.20]
A4	68.0 [2.68]	128.0 [5.04]	129.0 [5.08]	56.0 [2.20]	118.0 [4.65]	3.0 [0.12]	5.2 [0.20]
A5	68.0 [2.68]	128.0 [5.04]	143.0 [5.63]	56.0 [2.20]	118.0 [4.65]	3.0 [0.12]	5.2 [0.20]

2-2 Frame B

B1: VFD7A5MS23ANSAA; VFD7A5MS23ENSAA; VFD4A2MS43ANSAA; VFD4A2MS43ENSAA;
VFD3A0MS53ANSAA

B2: VFD4A8MS21ANSAA; VFD4A8MS21ENSAA

B3: VFD1A6MS21AFSAA; VFD2A8MS21AFSAA; VFD4A8MS21AFSAA; VFD1A5MS43AFSAA;
VFD2A7MS43AFSAA; VFD4A2MS43AFSAA

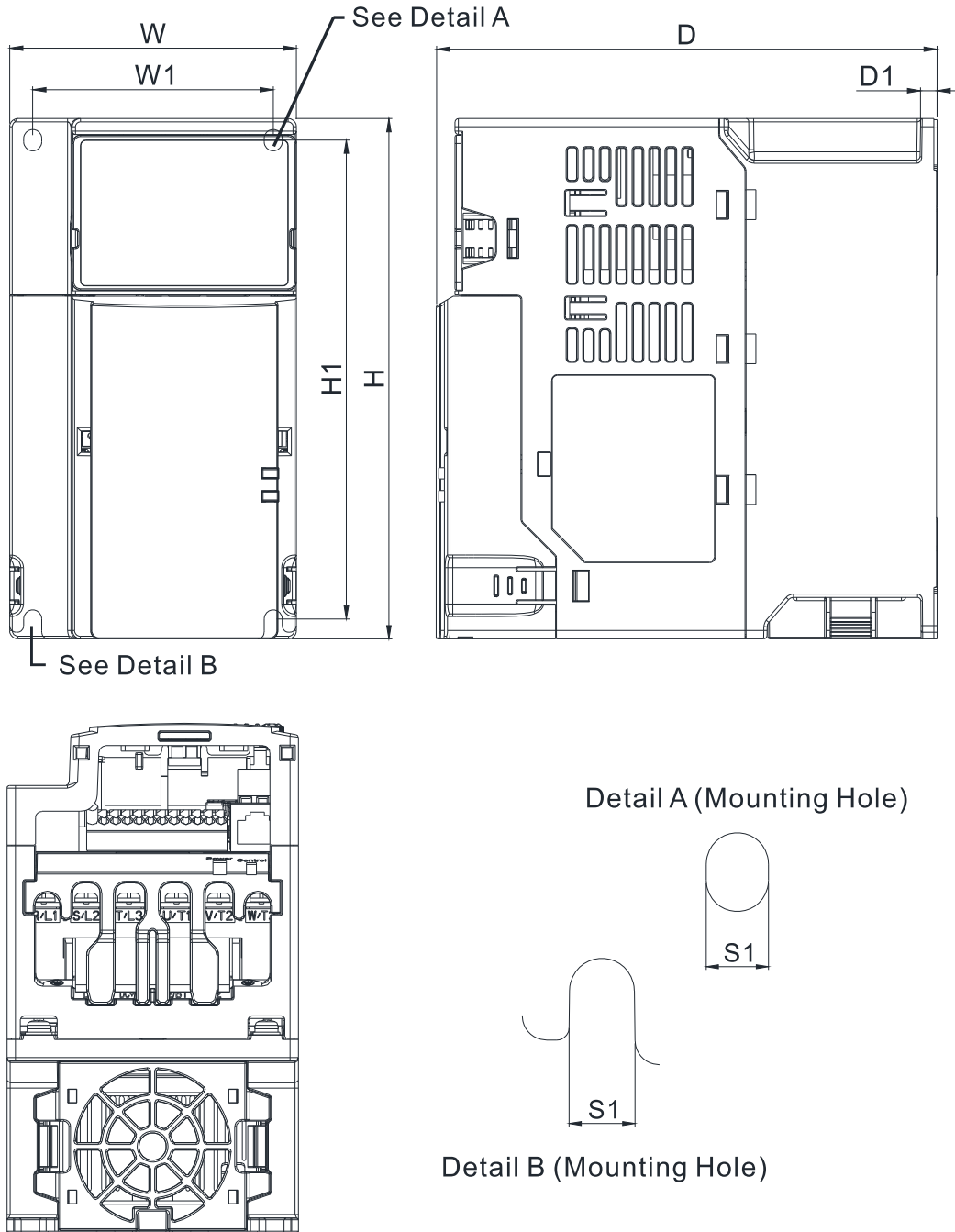


Unit: mm [inch]

Frame	W	H	D	W1	H1	D1	S1
B1	72.0 [2.83]	142.0 [5.59]	143.0 [5.63]	60.0 [2.36]	130.0 [5.63]	6.4 [0.25]	5.2 [0.20]
B2	72.0 [2.83]	142.0 [5.59]	143.0 [5.63]	60.0 [2.36]	130.0 [5.63]	3.0 [0.12]	5.2 [0.20]
B3	72.0 [2.83]	142.0 [5.59]	159.0 [6.26]	60.0 [2.36]	130.0 [5.63]	4.3 [0.17]	5.2 [0.20]

2-3 Frame C

C1: VFD4A8MS11ANSAA; VFD4A8MS11ENSAA; VFD7A5MS21ANSAA; VFD7A5MS21ENSAA;
 VFD11AMS21ANSAA; VFD11AMS21ENSAA; VFD11AMS23ANSAA; VFD11AMS23ENSAA;
 VFD17AMS23ANSAA; VFD17AMS23ENSAA; VFD5A5MS43ANSAA; VFD5A5MS43ENSAA;
 VFD9A0MS43ANSAA; VFD9A0MS43ENSAA; VFD4A2MS53ANSAA; VFD6A6MS53ANSAA
 C2: VFD7A5MS21AFSAA; VFD11AMS21AFSAA; VFD5A5MS43AFSAA; VFD9A0MS43AFSAA

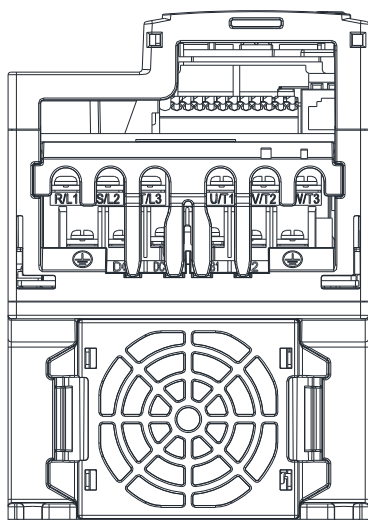
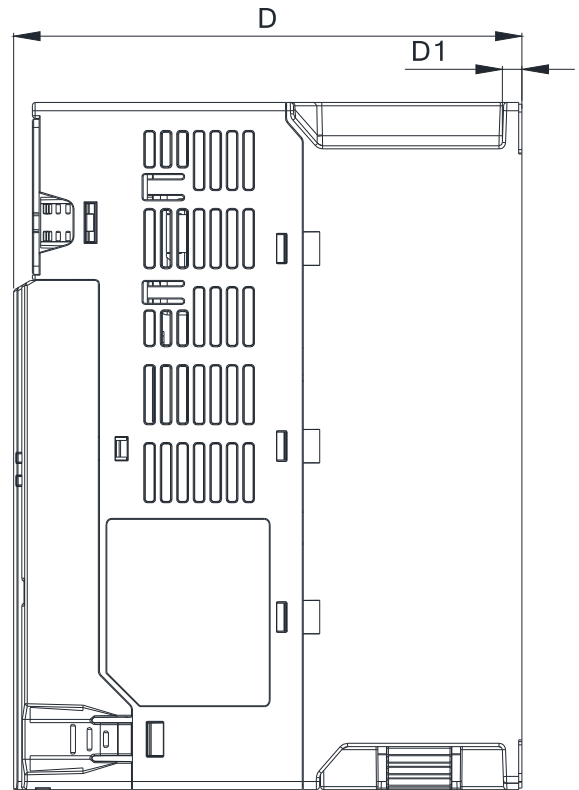
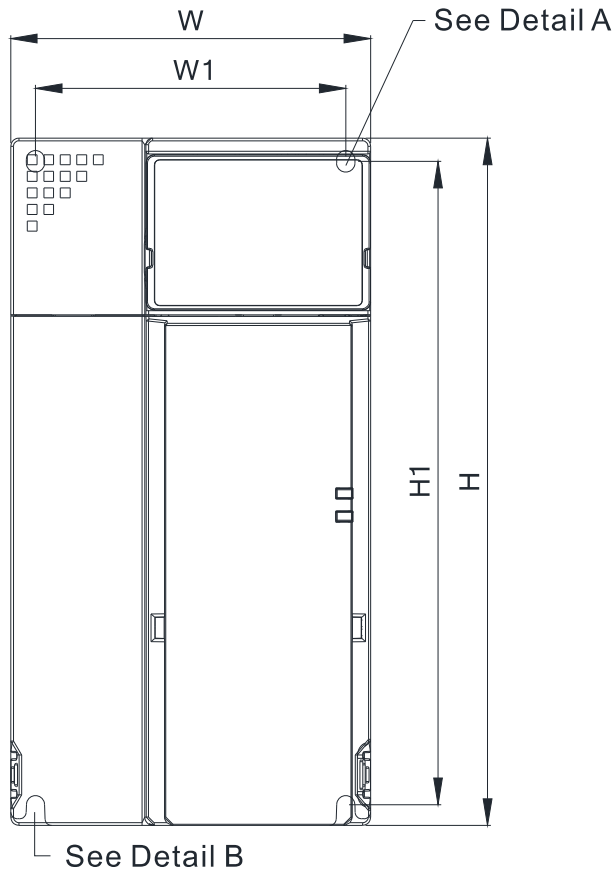


Unit: mm [inch]

Frame	W	H	D	W1	H1	D1	S1
C1	87.0 [3.43]	157.0 [6.18]	152.0 [5.98]	73.0 [2.87]	144.5 [5.69]	5.0 [0.20]	5.5 [0.22]
C2	87.0 [3.43]	157.0 [6.18]	179.0 [7.05]	73.0 [2.87]	144.5 [5.69]	5.0 [0.20]	5.5 [0.22]

2-4 Frame D

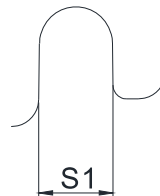
D1: VFD25AMS23ANSAA; VFD25AMS23ENSAA; VFD13AMS43ANSAA; VFD13AMS43ENSAA;
 VFD17AMS43ANSAA; VFD17AMS43ENSAA; VFD9A9MS53ANSAA; VFD12AMS53ANSAA
 D2: VFD13AMS43AFSAA; VFD17AMS43AFSAA



Mounting Hole
 Detail A (Mounting Hole)



Detail B (Mounting Hole)

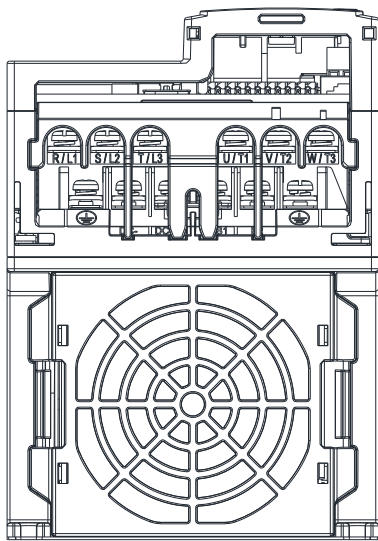
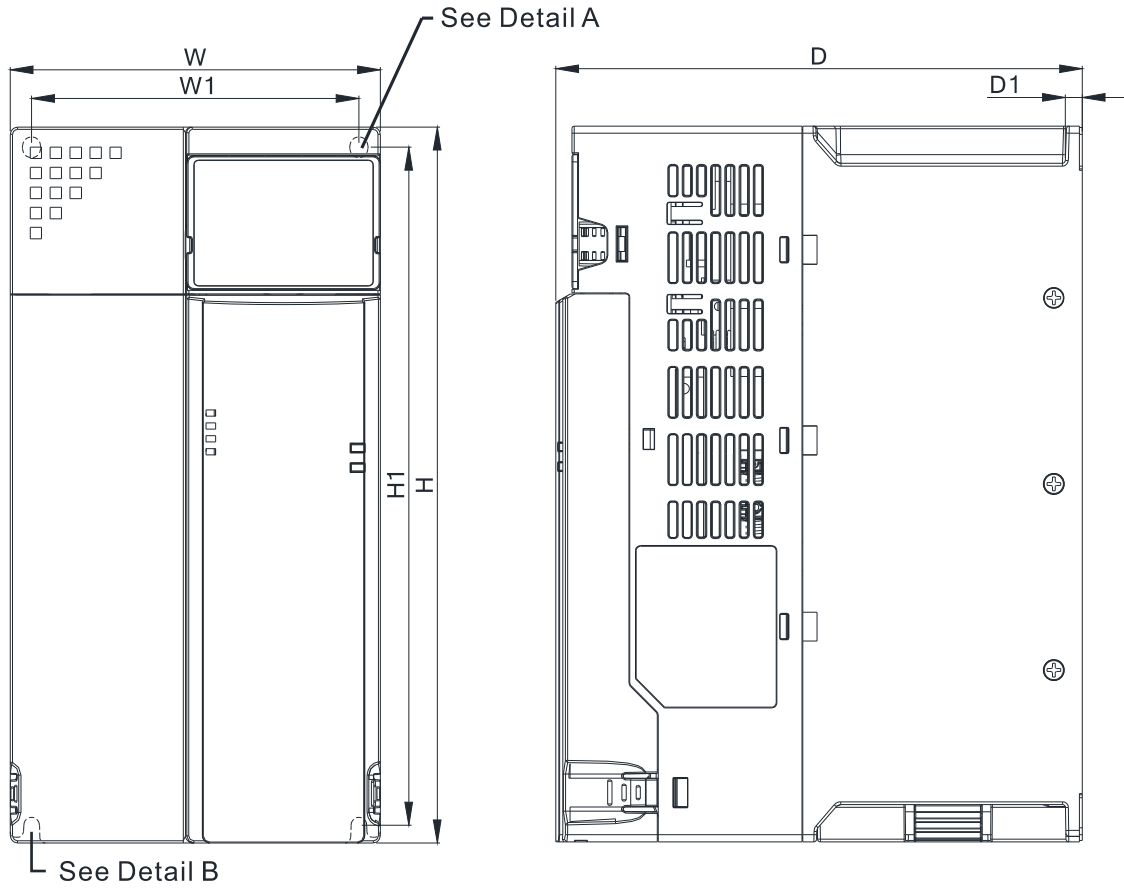


Unit: mm [inch]

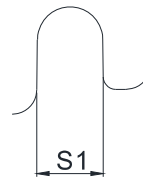
Frame	W	H	D	W1	H1	D1	S1
D1	109.0 [4.29]	207.0 [8.15]	154.0 [6.06]	94.0 [3.70]	193.8 [7.63]	6.0 [0.24]	5.5 [0.22]
D2	109.0 [4.29]	207.0 [8.15]	187.0 [7.36]	94.0 [3.70]	193.8 [7.63]	6.0 [0.24]	5.5 [0.22]

2-5 Frame E

E1: VFD33AMS23ANSAA; VFD33AMS23ENSAA; VFD49AMS23ANSAA; VFD49AMS23ENSAA;
 VFD25AMS43ANSAA; VFD25AMS43ENSAA; VFD32AMS43ANSAA; VFD32AMS43ENSAA
 E2: VFD25AMS43AFSAA; VFD32AMS43AFSAA



Detail A (Mounting Hole)



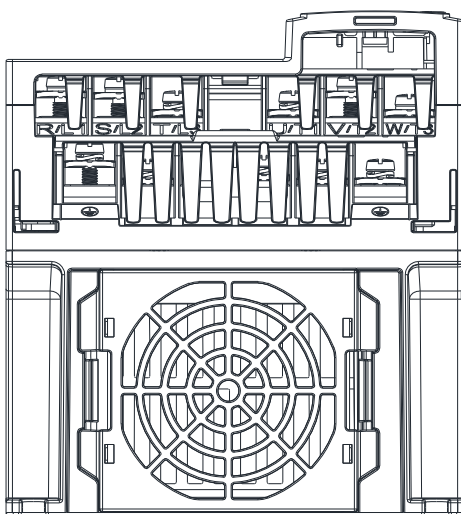
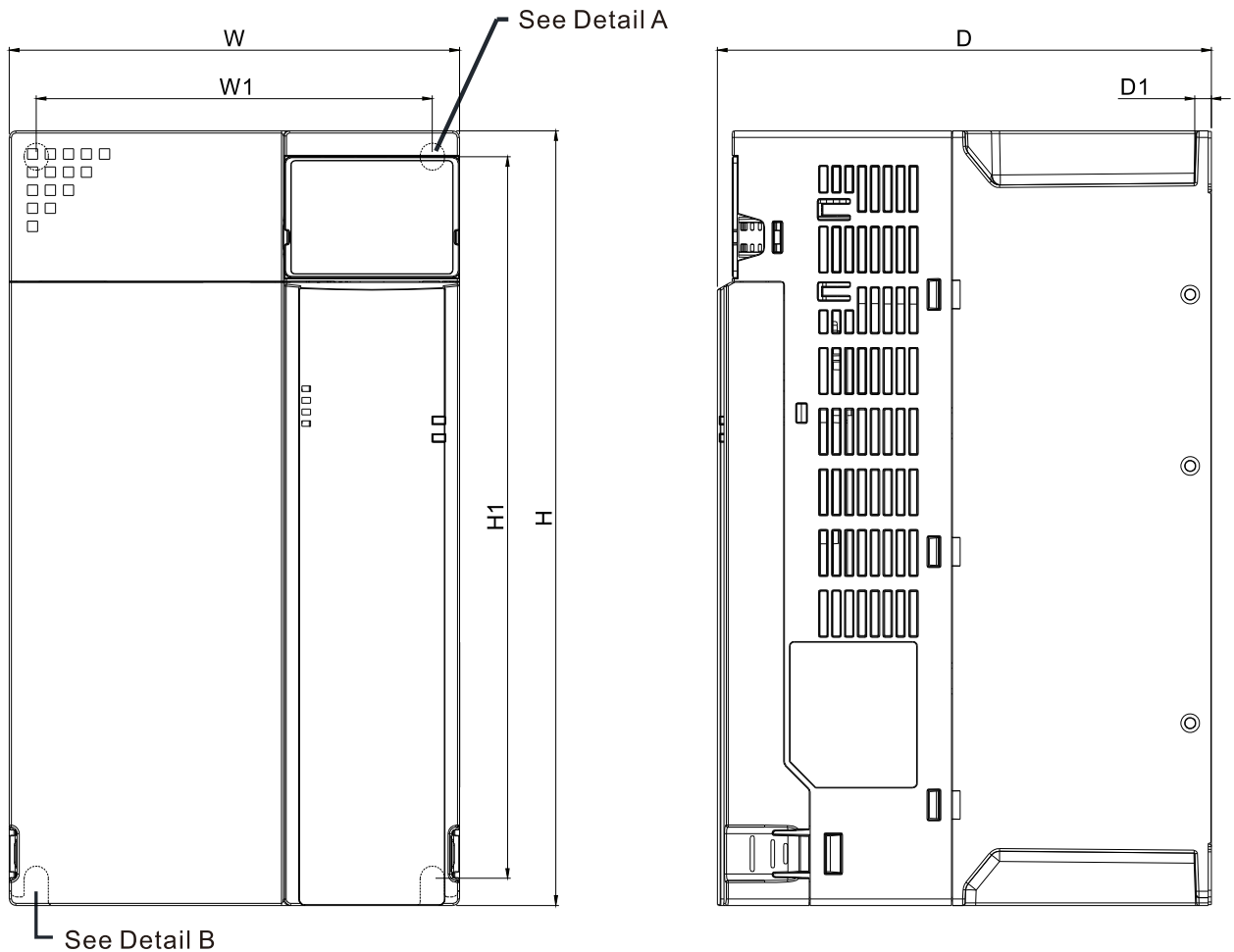
Detail B (Mounting Hole)

Unit: mm [inch]

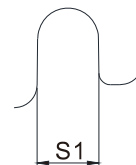
Frame	W	H	D	W1	H1	D1	S1
E1	130.0 [5.12]	250.0 [9.84]	185.0 [7.83]	115.0 [4.53]	236.8 [9.32]	6.0 [0.24]	5.5 [0.22]
E2	130.0 [5.12]	250.0 [9.84]	219.0 [8.62]	115.0 [4.53]	236.8 [9.32]	6.0 [0.24]	5.5 [0.22]

2-6 Frame F

F1: VFD65AMS23ANSAA; VFD65AMS23ENSAA; VFD38AMS43ANSAA; VFD38AMS43ENSAA;
 VFD45AMS43ANSAA; VFD45AMS43ENSAA
 F2: VFD38AMS43AFSAA; VFD45AMS43AFSAA



Detail A (Mounting Hole)



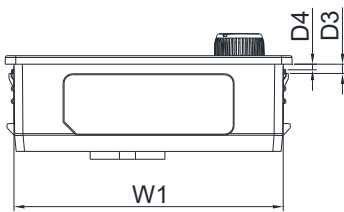
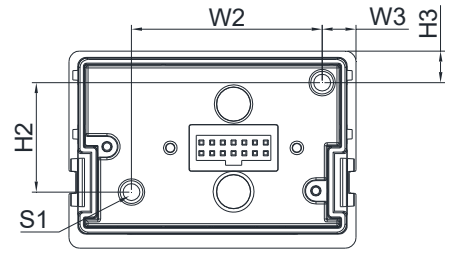
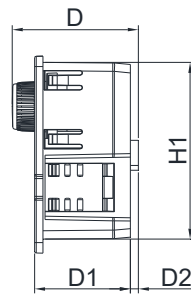
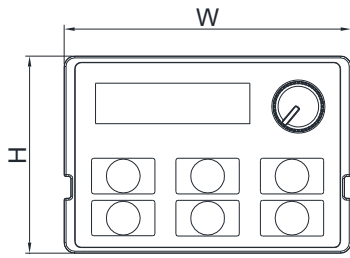
Detail B (Mounting Hole)

Unit: mm [inch]

Frame	W	H	D	W1	H1	D1	S1
F1	175.0 [6.89]	300.0 [11.81]	192.0 [7.56]	154.0 [6.06]	279.5 [11.00]	6.5 [0.26]	8.4 [0.33]
F2	175.0 [6.89]	300.0 [11.81]	244.0 [9.61]	154.0 [6.06]	279.5 [11.00]	6.5 [0.26]	8.4 [0.33]

2-7 Digital Keypad

KPMS-LE01



Unit: mm [inch]

W	W1	W2	W3	H	H1	H2
68.0 [2.67]	63.8 [2.51]	45.2 [1.78]	8.0 [0.31]	46.8 [1.84]	42.0 [1.65]	26.0 [1.02]
H3	D	D1	D2	D3	D4	S1
7.5 [0.31]	30.0 [1.18]	22.7 [0.89]	2.0 [0.08]	2.2 [0.09]	1.3 [0.05]	M3*0.5(2X)

Chapter 3 Installation

3-1 Mounting Clearance

3-2 Airflow and Power Dissipation

3-1 Mounting Clearance

- ☑ Prevent fiber particles, scraps of paper, shredded wood, sawdust, metal particles, etc. from adhering to the heat sink.
- ☑ Install the AC motor drive in a metal cabinet. When installing one drive below another one, use a metal separator between the AC motor drives to prevent mutual heating and to prevent the risk of fire accident.
- ☑ Install the AC motor drive in a Pollution Degree 2 environment with clean and circulating air. A clean and circulating environment means air without polluting substances and dust.
- ☑ Mount the drive in an IP54 cabinet in order to maintain the Pollution Degree 2 or in a pollution-controlled environment. When installing the AC motor drive in a Pollution Degree 2 (IEC/EN 60664-1) environment, only nonconductive pollution occurs for the electrical equipment in the cabinet and thermostatic chamber and temporary conductivity caused by condensation is expected.

The appearances shown in the following figures are for reference only. The actual motor drives may look different.

Airflow direction:  (Blue arrow) Inflow  (Red arrow) Outflow  (Black) Distance

Single drive installation

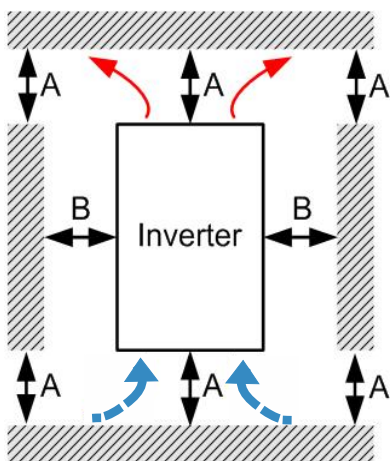


Figure 3-1

Side-by-side horizontal installation /
Zero stack installation

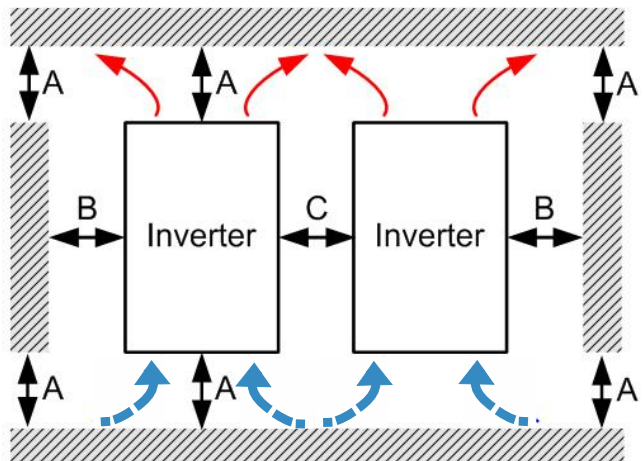


Figure 3-2

Minimum mounting clearance

Installation method	A [mm]	B [mm]	C [mm]	Ambient temperature (°C)	
				Max. (Without derating)	Max. (derating)
Single drive installation	50	30	-	50	60
Side-by-side horizontal installation	50	30	30	50	60
Zero stack installation	50	30	0	40	50

Table 3-1

 **NOTE**

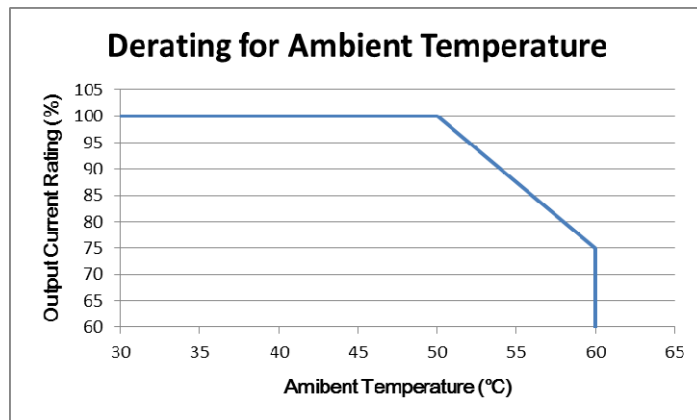
The minimum mounting clearances A–C stated in the table above apply to AC motor drives installation. Failing to follow the minimum mounting clearances may cause the fan to malfunction and heat dissipation problems.

3-2 Airflow and Power Dissipation

Frame	Airflow Rate for Cooling			Power Dissipation for AC Motor Drive				
	Model No.	Flow Rate (Unit: cfm)	Flow Rate (Unit: m ³ /hr)	Loss External (Heat sink, unit: W)	Internal (Unit: W)	Total (Unit: W)		
A	VFD1A6MS11ANSAA VFD1A6MS11ENSAA	0.0	0.0	8.0	10.0	18.0		
	VFD2A5MS11ANSAA VFD2A5MS11ENSAA			14.2	13.1	27.3		
	VFD1A6MS21ANSAA VFD1A6MS21ENSAA			8.0	10.3	18.3		
	VFD2A8MS21ANSAA VFD2A8MS21ENSAA			16.3	14.5	30.8		
	VFD1A6MS23ANSAA VFD1A6MS23ENSAA			8.6	10.0	18.6		
	VFD2A8MS23ANSAA VFD2A8MS23ENSAA			16.5	12.6	29.1		
	VFD4A8MS23ANSAA VFD4A8MS23ENSAA			31.0	13.2	44.2		
	VFD1A5MS43ANSAA VFD1A5MS43ENSAA			17.6	11.1	28.7		
	VFD2A7MS43ANSAA VFD2A7MS43ENSAA			30.5	17.8	48.3		
	VFD1A7MS53ANSAA			23.5	12.5	36		
B	VFD1A6MS21AFSAA	0.0	0.0	8.0	10.3	18.3		
	VFD2A8MS21AFSAA	10.0	16.99	16.3	14.5	30.8		
	VFD4A8MS21ANSAA VFD4A8MS21ENSAA	0.0	0.0	29.1	20.1	49.2		
	VFD4A8MS21AFSAA	10.0	16.99	29.1	20.1	49.2		
	VFD7A5MS23ANSAA VFD7A5MS23ENSAA			50.1	24.2	74.3		
	VFD1A5MS43AFSAA			17.6	11.1	28.7		
	VFD2A7MS43AFSAA			30.5	17.8	48.3		
	VFD4A2MS43ANSAA VFD4A2MS43ENSAA VFD4A2MS43AFSAA			45.9	21.7	67.6		
	VFD3A0MS53ANSAA			38.1	19	57.1		
C	VFD4A8MS11ANSAA VFD4A8MS11ENSAA			16.0	27.2	29.1	23.9	53.0
	VFD7A5MS21ANSAA VFD7A5MS21ENSAA VFD7A5MS21AFSAA					46.5	31.0	77.5
	VFD11AMS21ANSAA VFD11AMS21ENSAA VFD11AMS21AFSAA					70.0	35	105
	VFD11AMS23ANSAA VFD11AMS23ENSAA	76.0	30.7			106.7		
	VFD17AMS23ANSAA VFD17AMS23ENSAA	108.2	40.1			148.3		

Frame	Airflow Rate for Cooling			Power Dissipation for AC Motor Drive		
	Model No.	Flow Rate (Unit: cfm)	Flow Rate (Unit: m ³ /hr)	Loss External (Heat sink, unit: W)	Internal (Unit: W)	Total (Unit: W)
C	VFD5A5MS43ANSAA VFD5A5MS43ENSAA VFD5A5MS43AFSAA	16.0	27.2	60.6	22.8	83.4
	VFD9A0MS43ANSAA VFD9A0MS43ENSAA VFD9A0MS43AFSAA			93.1	42	135.1
	VFD4A2MS53ANSAA			46.6	22.2	68.8
	VFD6A6MS53ANSAA			76.1	30	106.1
D	VFD25AMS23ANSAA VFD25AMS23ENSAA	23.4	39.7	192.8	53.3	246.1
	VFD13AMS43ANSAA VFD13AMS43ENSAA VFD13AMS43AFSAA			132.8	39.5	172.3
	VFD17AMS43ANSAA VFD17AMS43ENSAA VFD17AMS43AFSAA			164.7	55.8	220.5
	VFD9A9MS53ANSAA			93.9	37	130.9
	VFD12AMS53ANSAA			108.4	51	159.4
	VFD33AMS23ANSAA VFD33AMS23ENSAA			244.5	79.6	324.1
E	VFD49AMS23ANSAA VFD49AMS23ENSAA	53.7	91.2	374.2	86.2	460.4
	VFD25AMS43ANSAA VFD25AMS43ENSAA VFD25AMS43AFSAA			234.5	69.8	304.3
	VFD32AMS43ANSAA VFD32AMS43ENSAA VFD32AMS43AFSAA			319.8	74.3	394.1
	VFD65AMS23ANSAA VFD65AMS23ENSAA			492.0	198.2	690.2
F	VFD38AMS43ANSAA VFD38AMS43ENSAA VFD38AMS43AFSAA	67.9	115.2	423.5	181.6	605.1
	VFD45AMS43ANSAA VFD45AMS43ENSAA VFD45AMS43AFSAA			501.1	200.3	701.4

Table 3-2





Chapter 4 Wiring

4-1 System Wiring Diagram

4-2 Wiring

After removing the front cover, verify that the power and control terminals are clearly noted. Read the following precautions before wiring.

	<ul style="list-style-type: none"> ☑ Turn off the AC motor drive power before doing any wiring. A charge with hazardous voltages may remain in the DC bus capacitors even after the power has been turned off for a short time. Measure the remaining voltage with a DC voltmeter on +1/DC+ and DC- before doing any wiring. For your safety, do not start wiring before the voltage drops to a safe level (less than 25 V_{DC}). Installing wiring with a residual voltage may cause personal injury, sparks and a short circuit. ☑ Only qualified personnel familiar with AC motor drives are allowed to perform installation, wiring and commissioning. Make sure the power is turned off before wiring to prevent electric shock. ☑ Make sure that power is only applied to the R/L1, S/L2, and T/L3 terminals. Failure to comply may result in damage to the equipment. The voltage and current must be in the range indicated on the nameplate (refer to Section 1-1 Nameplate Information for details). ☑ All units must be grounded directly to a common ground terminal to prevent damage from a lightning strike or electric shock and reduce noise interference. ☑ Tighten the screws of the main circuit terminals to prevent sparks caused by screws loosened due to vibration.
	<ul style="list-style-type: none"> ☑ For you safety, choose wires that comply with local regulations when wiring. ☑ Check the following items after finishing the wiring: <ol style="list-style-type: none"> 1. Are all connections correct? 2. Are there any loose wires? 3. Are there any short circuits between the terminals or to ground?

4-1 System Wiring Diagram

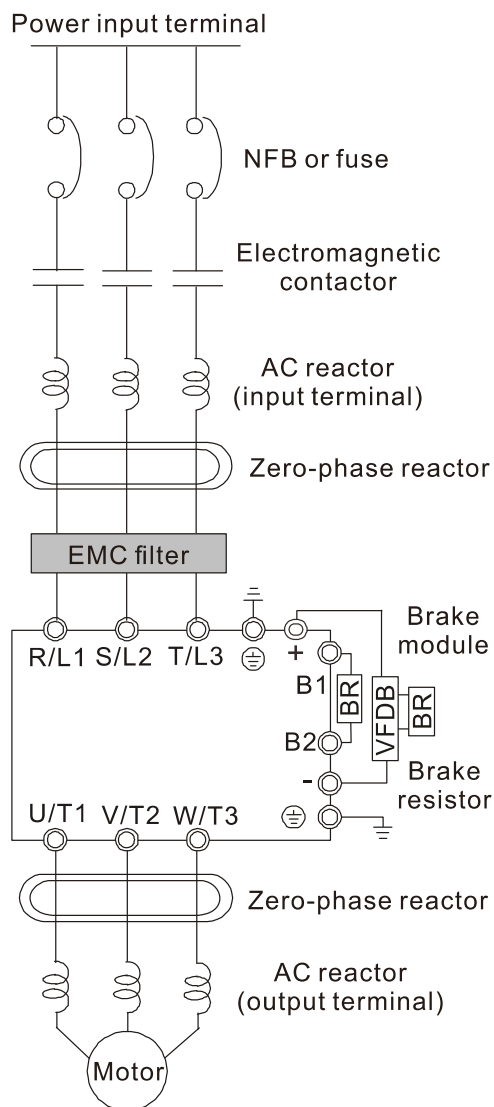


Figure 4-1

Power input terminal	Supply power according to the rated power specifications indicated in the manual (refer to Chapter 9 Specification).
NFB or fuse	There may be a large inrush current during power on. Refer to Section 7-2 NFB to select a suitable NFB or Section 7-3 Fuse Specification Chart.
Electromagnetic contactor	Switching the power ON/OFF on the primary side of the electromagnetic contactor can turn the drive ON/OFF, but frequent switching can cause machine failure. Do not switch ON/OFF more than once an hour. Do not use the electromagnetic contactor as the power switch for the drive; doing so shortens the life of the drive. Refer to Section 7-2 Magnetic Contactor / Air Circuit Breaker to select the electromagnetic contactor that meets your requirement.
AC reactor (input terminal)	When the main power supply capacity is greater than 500 kVA, or when it switches into the phase capacitor, the instantaneous peak voltage and current generated may destroy the internal circuit of the drive. It is recommended that you install an input side AC reactor in the drive. This also improves the power factor and reduces power harmonics. The wiring distance should be within 10 m. Refer to Section 7-4 AC/DC Reactor for details.
Zero phase reactor	Used to reduce radiated interference, especially in environments with audio devices, and reduce input and output side interference. The effective range is AM band to 10 MHz. Refer to Section 7-5 Zero Phase Reactors for details.
EMC filter	Can be used to reduce electromagnetic interference. Refer to Section 7-6 EMC Filter for details.
Brake module & Brake resistor (BR)	Used to shorten the deceleration time of the motor. Refer to Section 7-1 Brake Resistors and Brake Units Used in AC Motor Drives for details.
AC reactor (output terminal)	The motor cable length affects the size of the reflected wave on the motor end. It is recommended that you install an AC output reactor when the motor wiring length exceeds the value listed in Section 7-4.

Table 4-1

4-2 Wiring

Input: one-phase / three-phase power

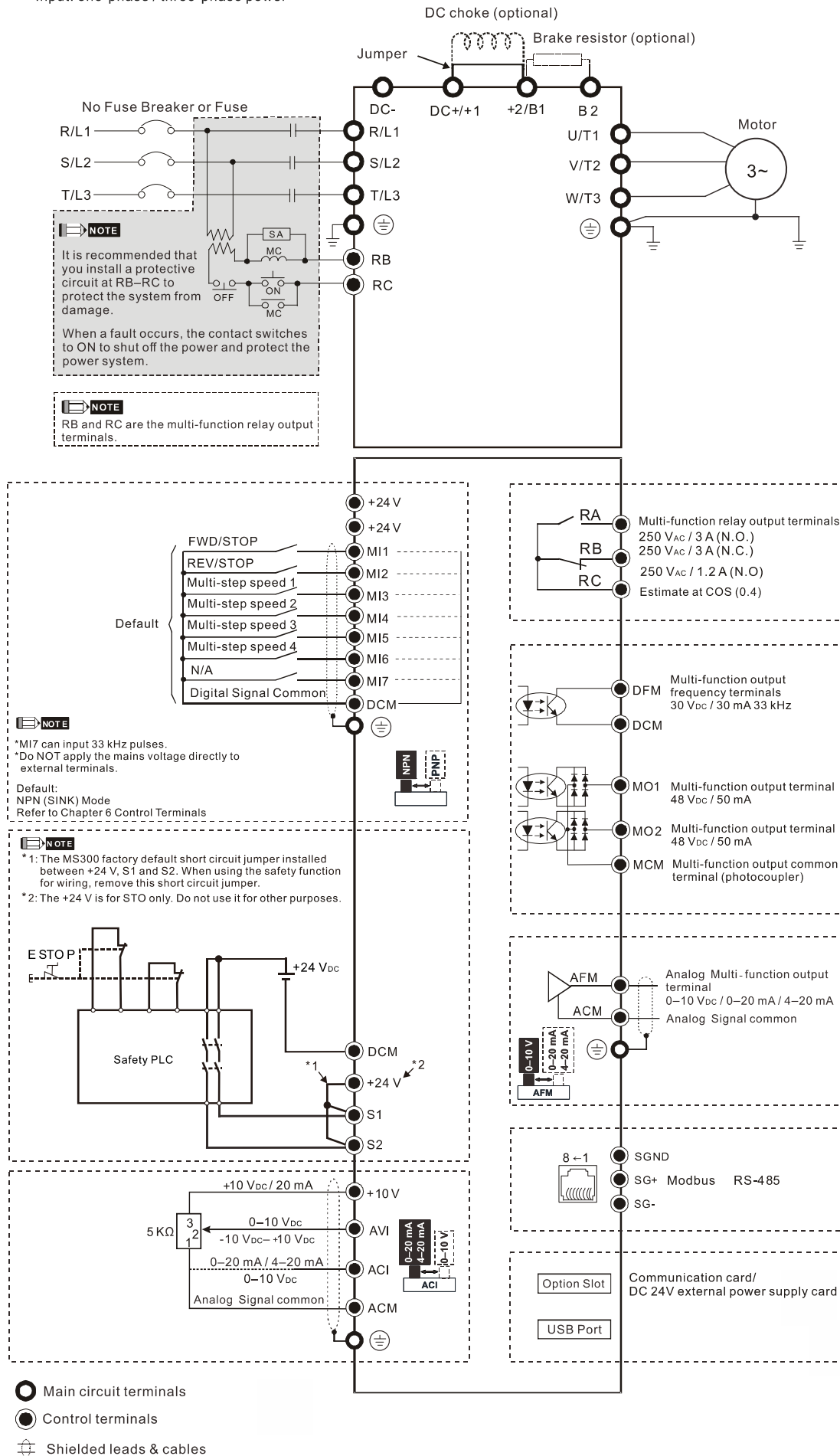


Figure 4-2

Chapter 5 Main Circuit Terminals

5-1 Main Circuit Diagram

5-2 Main Circuit Terminal Specifications



- ☑ Tighten the screws in the main circuit terminal to prevent sparks caused by screws loosened due to vibration.
- ☑ If necessary, use an inductive filter only at the motor output terminals U/T1, V/T2, W/T3 of the AC motor drive. DO NOT use phase-compensation capacitors or L-C (Inductance-Capacitance) or R-C (Resistance-Capacitance), unless approved by Delta.
- ☑ DO NOT connect phase-compensation capacitors or surge absorbers at the output terminals of AC motor drives.
- ☑ DO NOT connect brake resistors directly to +1/DC+ to DC-, +2/B1 to DC- to prevent damage to the drive or to the brake resistors.
- ☑ Ensure proper insulation of the main circuit wiring in accordance with the relevant safety regulations.



Main input power terminals

- ☑ R/L1, S/L2 and T/L3 have no phase-sequence requirement; they can be connected in any sequence.
- ☑ Add a magnetic contactor (MC) to the power input wiring to cut off power quickly and reduce malfunctions when the AC motor drive protection function activates. Both ends of the MC should have an R-C surge absorber.
- ☑ Use voltage and current within the specifications in Chapter 09. Refer to Chapter 09 Specifications for details.
- ☑ Although the leakage current of one single MS300 drive is less than 10_{DC} mA, electric shock may still occur due to the leakage current from other equipment such as motors and leads. Therefore, it is recommended that you install one of the followings to prevent danger caused by electric shock.
 1. Use a copper wire with a cross-section of 10 mm² or above or an aluminum wire of 16 mm² as the connection between the casing and the ground.
 2. Install an Earth Leakage Circuit Breaker (ELCB).
- ☑ Due to the high frequency current of the leakage current of the AC motor drive, select a Type B ELCB specifically for the drive when using an ELCB. For tripping or malfunctions on the usage of ELCB, refer to Section 7-8 Capacitive Filter for details. The power system of the AC motor drive affects the power factor, so select a MCCB with larger capacity.
- ☑ Use shielded wire or conduit for the power wiring and ground the two ends of the shielding or conduit.
- ☑ DO NOT run and stop the AC motor drives by turning the power ON and OFF. Run and stop the AC motor drives by sending the RUN and STOP commands through the control terminals or the keypad. If you still need to run and stop the AC motor drives by turning the power ON and OFF, do so no more often than ONCE per hour.
- ☑ To comply with UL standards, connect the drive to a three-phase three-wire or three-phase four-wire Wye system type of mains power system.

Output terminals of the main circuit

- ☑ Use well-insulated motors to prevent any electric leakage from motors.
- ☑ When the AC drive output terminals U/T1, V/T2, and W/T3 are connected to the motor terminals U/T1, V/T2, and W/T3 respectively, the FWD LED indicator on the digital keypad is ON. This means the AC motor drive executes running forward, and the motor rotates counterclockwise (viewed from the shaft end of the motor, as shown in Figure 5-1).

On the contrary, when the REV LED indicator lights, the AC motor drive executes running in reverse, and the motor rotates in an opposite direction to Figure 5-1. If the AC motor drive executes running forward but the motor rotates in a reverse direction, exchange any two of the U/T1, V/T2 and W/T3 motor leads.

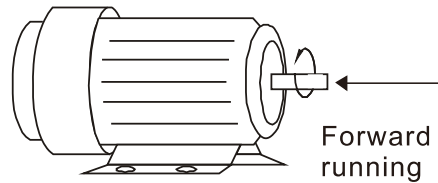


Figure 5-1

Terminals for connecting DC reactor, external brake resistor and DC circuit

- ☑ Use the terminals, as shown in Figure 5-2, to connect a DC reactor to improve the power factor and reduce harmonics. A jumper is connected to these terminals at the factory. Remove that jumper before connecting to a DC reactor.
- ☑ Tighten the jumper if a DC reactor is not connected and DC+ / +1 and +2 / B1 terminals are used for common DC bus or brake resistors in order to prevent the AC motor drive from losing power and damage to the terminals. If the jumper is missing due to wiring, refer to the recommended main circuit terminal wire gauge mentioned in Section 5-2 to short-circuit the DC+ / +1 and +2 / B1 terminals.

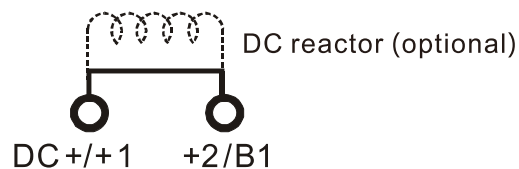


Figure 5-2

- ☑ Install an external brake resistor for applications in frequent deceleration to stop, short deceleration time (such as high frequency operation and heavy load operation), too low braking torque, or increased braking torque.

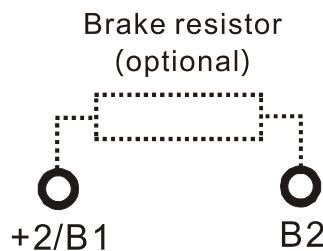
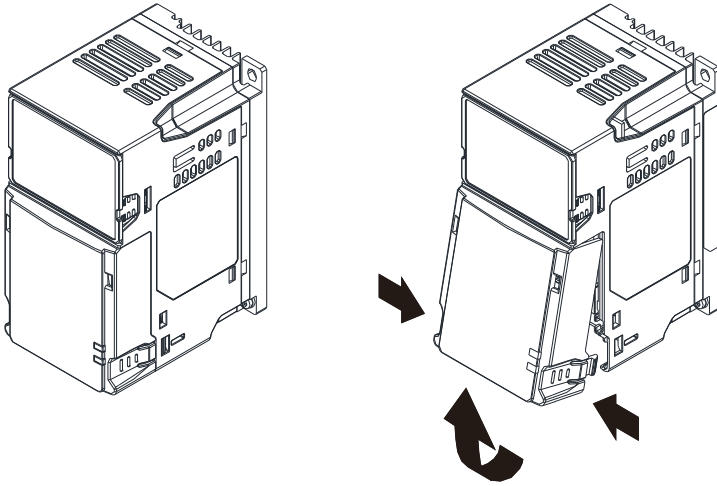


Figure 5-3

- ☑ Connect the external brake resistor to +2/B1, B2 terminals of the AC motor drives.
- ☑ DO NOT connect two ends of the brake resistor directly to DC+ / +1 and DC-, +2/B1 to DC- to prevent damage to the drive and to the brake resistor.
- ☑ When connecting DC+ / +1 and DC- in common DC bus applications, refer to Section 5-2 (Main Circuit Terminal Specifications) for the wiring terminal specification and the wire gauge information.

Remove the front cover

- Remove the front cover before wiring the main circuit terminals and control circuit terminals. Remove the cover according to the figures below.
- The example uses the Frame A model. For different frame size models, use the same removing method.



Press the clip on both sides, and then remove the cover by rotating it.

Figure 5-4

5-1 Main Circuit Diagram

Input: one-phase / three-phase power

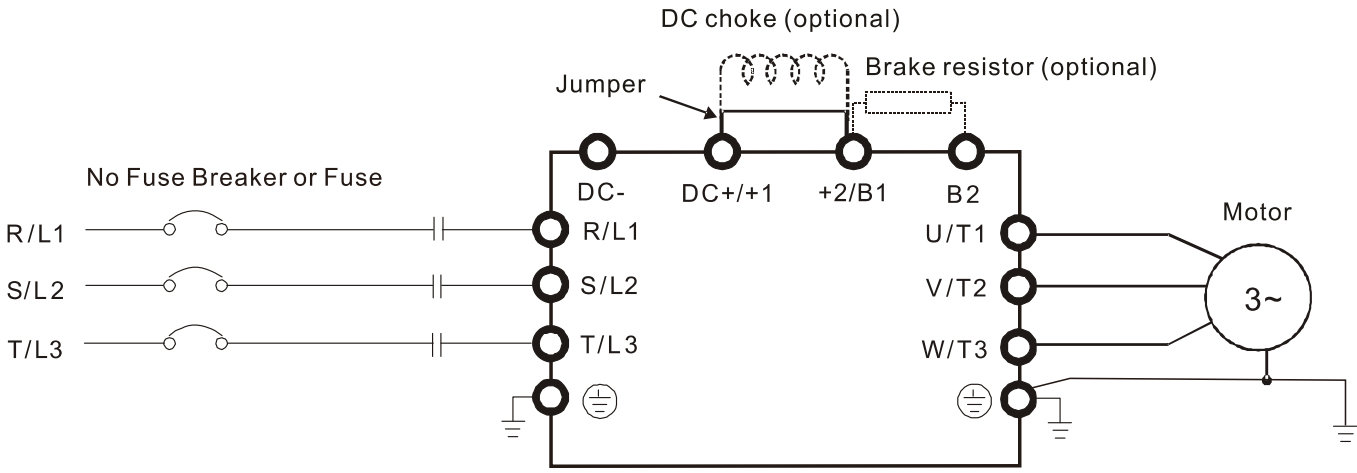


Figure 5-5

Terminals	Descriptions
R/L1, S/L2	Mains input terminals (one-phase)
R/L1, S/L2, T/L3	Mains input terminals (three-phase)
U/T1, V/T2, W/T3	AC motor drive output terminals for connecting three-phase IM and PM motors.
+1, +2	Connections for DC reactor to improve the power factor. Remove the jumper before installing a DC reactor.
DC+, DC-	Connections for brake unit (VFDB series) Common DC bus
B1, B2	Connections for brake resistor (optional). Refer to Section 7-1 for details.
⊕	Ground connection; comply with local regulations.

Table 5-1

5-2 Main Circuit Terminal Specifications

- Use the specified ring lug for main circuit terminal wiring.
See Figure 5-6 and Figure 5-7 for ring lug specifications. For other types of wiring, use the wires that comply with the local regulations.
- After crimping the wire to the ring lug (must be UL and CSA approved R/C (YDPU2)), install heat shrink tubing rated at a minimum of 600 V_{AC} insulation over the live part. Refer to Figure 5-7.
- Main circuit terminals:
R/L1, S/L2, T/L3, U/T1, V/T2, W/T3, ⊕, DC-, DC+/-1, +2/B1, B2
Note: There is no T/L3 terminal for one-phase models.

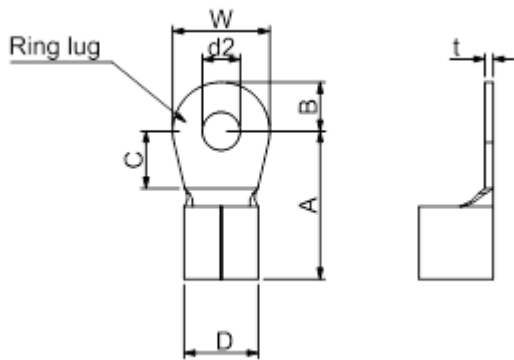


Figure 5-6

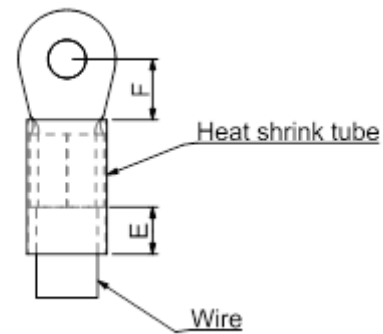


Figure 5-7

Dimensions of Ring Lug

The part # of the ring lugs (produced by K.S. Terminals Inc.) in the table below are for reference only. You can buy other ring lugs of your choice to match with different frame sizes.

Unit: mm

Frame	*AWG	Kit P/N	A (MAX)	B (MAX)	C (MIN)	D (MAX)	d2 (MIN)	E (MIN)	F (MIN)	W (MAX)	t (MAX)
A	18	RNBS 1-3.7	9.8	3.2	4.8	4.1	3.7	13.0	4.2	6.6	0.8
	16	RNBS 2-3.7									
	14	RNBS 2-3.7									
B	18	RNBS1-4	12.1	3.6	6.1	5.6	4.3	13.0	4.5	7.2	1
	16	RNBS1-4									
	14	RNBS2-4									
C	12	RNBS5-4	17.8	5.0	6.1	7.2	4.3	13.0	5.5	10.5	1.2
	10	RNBS5-4									
	8	RNBS8-4									
	14	RNBS2-4									
D	10	RNBS5-4	17.8	5.0	6.1	7.2	4.3	13.0	5.5	10.5	1.2
	8	RNBS8-4									
E	6	RNB14-5	27.1	6.1	10.5	11.5	5.3	13.0	6.5	12.6	1.7
	4	RNBS22-5									
F	6	RNBS14-6	35.0	9.0	13.3	14.0	6.2	13.0	10.0	19.5	1.8
	4	RNBS22-6									
	2	RNBS38-6									

Table 5-2

*AWG: Refer to the following tables for the wire size specification for models in each frame.

Frame A

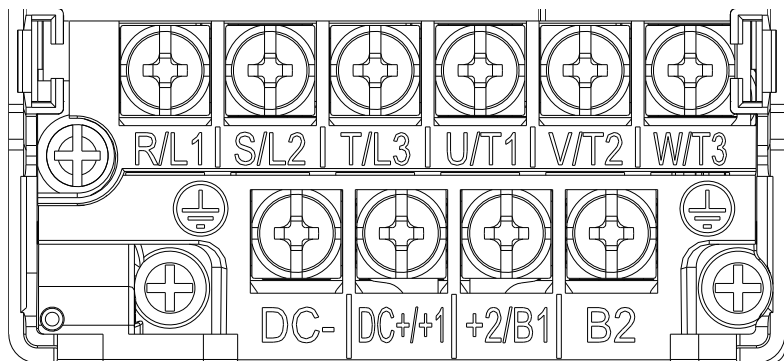


Figure 5-8

- If you install at Ta 50°C above environment, use copper wires that have a voltage rating of 600 V and are temperature resistant to 90°C or above.
- If you install at Ta 50°C environment, use copper wires that have a voltage rating of 600 V and are temperature resistant to 75°C or 90°C.
- For VFD2A5MS11ANSAA and VFD2A5MS11ENSAA models: If you install at Ta 40°C above environment, use copper wires that have a voltage rating of 600 V and are temperature resistant to 90°C or above.
- To be UL installation compliant, you must use copper wires when installing. The wire gauge is based on a temperature resistance of 75°C, in accordance with UL requirements and recommendations. Do not reduce the wire gauge when using high-temperature resistant wires.

Models	Main Circuit Terminals R/L1, S/L2, T/L3, U/T1, V/T2, W/T3, DC-, DC+/-1, +2/B1, B2			Grounding Terminals ⊕		
	Max. Wire Gauge	Min. Wire Gauge	Screw Size & Torque (±10%)	Max. Wire Gauge	Min. Wire Gauge	Screw Size & Torque (±10%)
VFD1A6MS11ANSAA VFD1A6MS11ENSAA	2.5 mm ² [14 AWG]	2.5 mm ² [14 AWG]	M3.5 9 kg-cm [7.8 lb-in.] [0.88 Nm]	2.5 mm ² [14 AWG]	2.5 mm ² [14 AWG]	M3.5 9 kg-cm [7.8 lb-in.] [0.88 Nm]
VFD2A5MS11ANSAA VFD2A5MS11ENSAA		1.5 mm ² [16 AWG]				
VFD1A6MS21ANSAA VFD1A6MS21ENSAA		2.5 mm ² [14 AWG]				
VFD2A8MS21ANSAA VFD2A8MS21ENSAA		0.75 mm ² [18 AWG]				
VFD1A6MS23ANSAA VFD1A6MS23ENSAA		1.5 mm ² [16 AWG]				
VFD2A8MS23ANSAA VFD2A8MS23ENSAA		0.75 mm ² [18 AWG]				
VFD4A8MS23ANSAA VFD4A8MS23ENSAA						
VFD1A5MS43ANSAA VFD1A5MS43ENSAA						
VFD2A7MS43ANSAA VFD2A7MS43ENSAA						
VFD1A7MS53ANSAA						

Table 5-3

Frame B

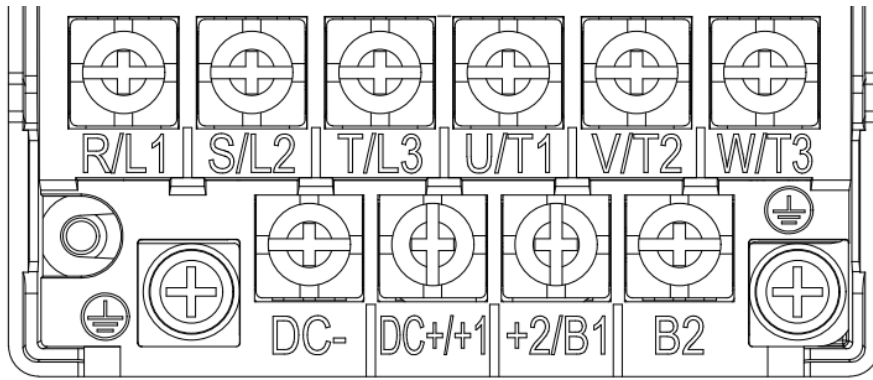


Figure 5-9

- If you install at Ta 50°C above environment, use copper wires that have a voltage rating of 600 V and are temperature resistant to 90°C or above.
- If you install at Ta 50°C environment, use copper wires that have a voltage rating of 600 V and are temperature resistant to 75°C or 90°C.
- To be UL installation compliant, you must use copper wires when installing. The wire gauge is based on a temperature resistance of 75°C, in accordance with UL requirements and recommendations. Do not reduce the wire gauge when using high-temperature resistant wires.

Models	Main Circuit Terminals R/L1, S/L2, T/L3, U/T1, V/T2, W/T3, DC-, DC+/-1, +2/B1, B2			Grounding Terminals ⊕		
	Max. Wire Gauge	Min. Wire Gauge	Screw Size & Torque (±10%)	Max. Wire Gauge	Min. Wire Gauge	Screw Size & Torque (±10%)
VFD1A6MS21AFSAA	4 mm ² [12 AWG]	1.5 mm ² [16 AWG]	M4 15 kg-cm [13.0 lb-in.] [1.47 Nm]	2.5 mm ² [14 AWG]	2.5 mm ² [14 AWG]	M4 15 kg-cm [13.0 lb-in.] [1.47 Nm]
VFD2A8MS21AFSAA		2.5 mm ² [14 AWG]				
VFD4A8MS21AFSAA VFD4A8MS21ANSAA VFD4A8MS21ENSAA		4 mm ² [12 AWG]		4 mm ² [12 AWG]		
VFD7A5MS23ANSAA VFD7A5MS23ENSAA		0.75 mm ² [18 AWG]		2.5 mm ² [14 AWG]		
VFD1A5MS43AFSAA VFD2A7MS43AFSAA		2.5 mm ² [14 AWG]		2.5 mm ² [14 AWG]		
VFD4A2MS43ANSAA VFD4A2MS43ENSAA VFD4A2MS43AFSAA		0.75 mm ² [18 AWG]		2.5 mm ² [14 AWG]		
VFD3A0MS53ANSAA				2.5 mm ² [14 AWG]		

Table 5-4

Frame C

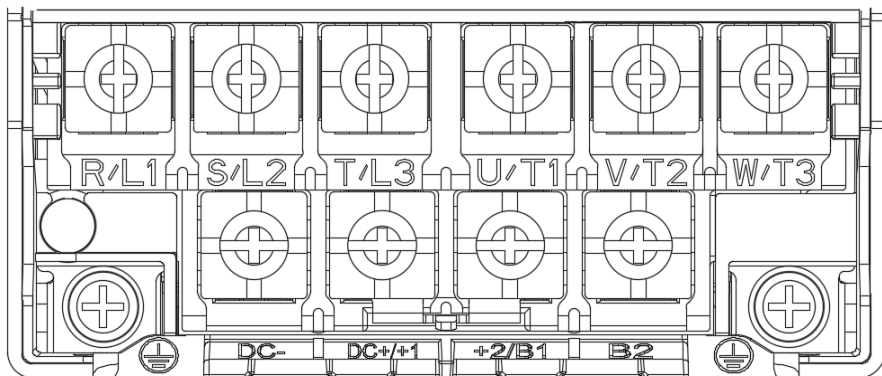


Figure 5-10

- If you install at Ta 50°C above environment, use copper wires that have a voltage rating of 600 V and are temperature resistant to 90°C or above.
- If you install at Ta 50°C environment, use copper wires that have a voltage rating of 600 V and are temperature resistant to 75°C or 90°C.
- To be UL installation compliant, you must use copper wires when installing. The wire gauge is based on a temperature resistance of 75°C, in accordance with UL requirements and recommendations. Do not reduce the wire gauge when using high-temperature resistant wires.

Models	Main Circuit Terminals R/L1, S/L2, T/L3, U/T1, V/T2, W/T3, DC-, DC+/-1, +2/B1, B2			Grounding Terminals ⊕		
	Max. Wire Gauge	Min. Wire Gauge	Screw Size & Torque (±10%)	Max. Wire Gauge	Min. Wire Gauge	Screw Size & Torque (±10%)
VFD4A8MS11ANSAA VFD4A8MS11ENSAA	10 mm ² [8 AWG]	10 mm ² [8 AWG]	M4 20 kg-cm [17.4 lb-in.] [1.96 Nm]	10 mm ² [8 AWG]	10 mm ² [8 AWG]	M4 20 kg-cm [17.4 lb-in.] [1.96 Nm]
VFD7A5MS21ANSAA VFD7A5MS21ENSAA VFD7A5MS21AFSAA						
VFD11AMS21ANSAA VFD11AMS21ENSAA VFD11AMS21AFSAA						
VFD11AMS23ANSAA VFD11AMS23ENSAA		6 mm ² [10 AWG]		6 mm ² [10 AWG]		
VFD17AMS23ANSAA VFD17AMS23ENSAA		10 mm ² [8 AWG]		10 mm ² [8 AWG]		
VFD5A5MS43ANSAA VFD5A5MS43ENSAA VFD5A5MS43AFSAA		2.5 mm ² [14AWG]		2.5 mm ² [14AWG]		
VFD9A0MS43ANSAA VFD9A0MS43ENSAA VFD9A0MS43AFSAA		4 mm ² [12 AWG]		4 mm ² [12 AWG]		
VFD4A2MS53ANSAA		2.5 mm ² [14 AWG]		2.5 mm ² [14 AWG]		
VFD6A6MS53ANSAA		4 mm ² [12 AWG]		4 mm ² [12 AWG]		

Table 5-5

Frame D

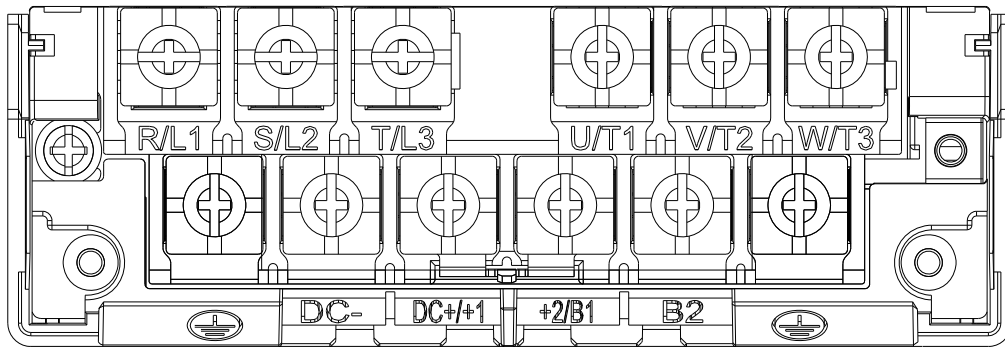


Figure 5-11

- If you install at Ta 50°C above environment, use copper wires that have a voltage rating of 600 V and are temperature resistant to 90°C or above.
- If you install at Ta 50°C environment, use copper wires that have a voltage rating of 600 V and are temperature resistant to 75°C or 90°C.
- For VFD25AMS23ANSAA and VFD25AMS23ENSAA models: If you install at Ta 45°C above environment, use copper wires that have a voltage rating of 600 V and are temperature resistant to 90°C or above.
- To be UL installation compliant, you must use copper wires when installing. The wire gauge is based on a temperature resistance of 75°C, in accordance with UL requirements and recommendations. Do not reduce the wire gauge when using high-temperature resistant wires.

Models	Main Circuit Terminals R/L1, S/L2, T/L3, U/T1, V/T2, W/T3, DC-, DC+/+1, +2/B1, B2			Grounding Terminals ⊕		
	Max. Wire Gauge	Min. Wire Gauge	Screw Size & Torque (±10%)	Max. Wire Gauge	Min. Wire Gauge	Screw Size & Torque (±10%)
VFD25AMS23ANSAA VFD25AMS23ENSAA	10 mm ² [8 AWG]	10 mm ² [8 AWG]	M4 20 kg-cm [17.4 lb-in.] [1.96 Nm]	10 mm ² [8 AWG]	10 mm ² [8 AWG]	M4 20 kg-cm [17.4 lb-in.] [1.96 Nm]
VFD13AMS43ANSAA VFD13AMS43ENSAA VFD13AMS43AFSAA		6 mm ² [10 AWG]		6 mm ² [10 AWG]	6 mm ² [10 AWG]	
VFD17AMS43ANSAA VFD17AMS43ENSAA VFD17AMS43AFSAA		10 mm ² [8 AWG]		10 mm ² [8 AWG]	10 mm ² [8 AWG]	
VFD9A9MS53ANSAA		6 mm ² [10 AWG]		6 mm ² [10 AWG]	6 mm ² [10 AWG]	
VFD12AMS53ANSAA		6 mm ² [10 AWG]		6 mm ² [10 AWG]	6 mm ² [10 AWG]	

Table 5-6

Frame E

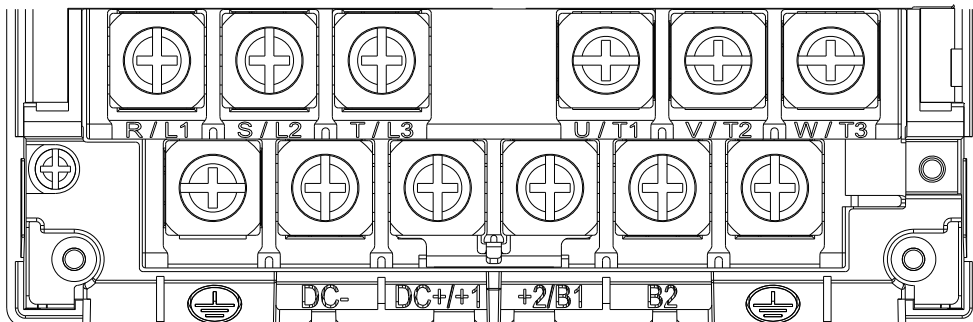


Figure 5-12

- If you install at Ta 50°C above environment, use copper wires that have a voltage rating of 600 V and are temperature resistant to 90°C or above.
- If you install at Ta 50°C environment, use copper wires that have a voltage rating of 600 V and are temperature resistant to 75°C or 90°C.
- For VFD33AMS23ANSAA and VFD33AMS23ENSAA models: If you install at Ta 40°C above environment, use copper wires that have a voltage rating of 600 V and are temperature resistant to 90°C or above.
- For VFD49AMS23ANSAA and VFD49AMS23ENSAA models: If you install at Ta 35°C above environment, use copper wires that have a voltage rating of 600 V and are temperature resistant to 90°C or above.
- For VFD32AMS43ANSAA, VFD32AMS43ENSAA, and VFD32AMS43AFSAA models: If you install at Ta 45°C above environment, use copper wires that have a voltage rating of 600 V and are temperature resistant to 90°C or above.
- To be UL installation compliant, you must use copper wires when installing. The wire gauge is based on a temperature resistance of 75°C, in accordance with UL requirements and recommendations. Do not reduce the wire gauge when using high-temperature resistant wires.
- **Wire these drives by ring lugs with specified dimensions.

Models	Main Circuit Terminals R/L1, S/L2, T/L3, U/T1, V/T2, W/T3, DC-, DC+/-+1, +2/B1, B2			Grounding Terminals ⊕		
	Max. Wire Gauge	Min. Wire Gauge	Screw Size & Torque (±10%)	Max. Wire Gauge	Min. Wire Gauge	Screw Size & Torque (±10%)
VFD33AMS23ANSAA VFD33AMS23ENSAA	16 mm ² [6 AWG]	16 mm ² [6 AWG]	M5 25 kg-cm [21.7 lb-in.] [2.45 Nm]	16 mm ² [6 AWG]	16 mm ² [6 AWG]	M5 25 kg-cm [21.7 lb-in.] [2.45 Nm]
VFD49AMS23ANSAA** VFD49AMS23ENSAA**	25 mm ² [4 AWG]	25 mm ² [4 AWG]		25 mm ² [4 AWG]		
VFD25AMS43ANSAA VFD25AMS43ENSAA VFD25AMS43AFSAA	16 mm ² [6 AWG]	16 mm ² [6 AWG]		16 mm ² [6 AWG]		
VFD32AMS43ANSAA VFD32AMS43ENSAA VFD32AMS43AFSAA						

Table 5-7

Frame F

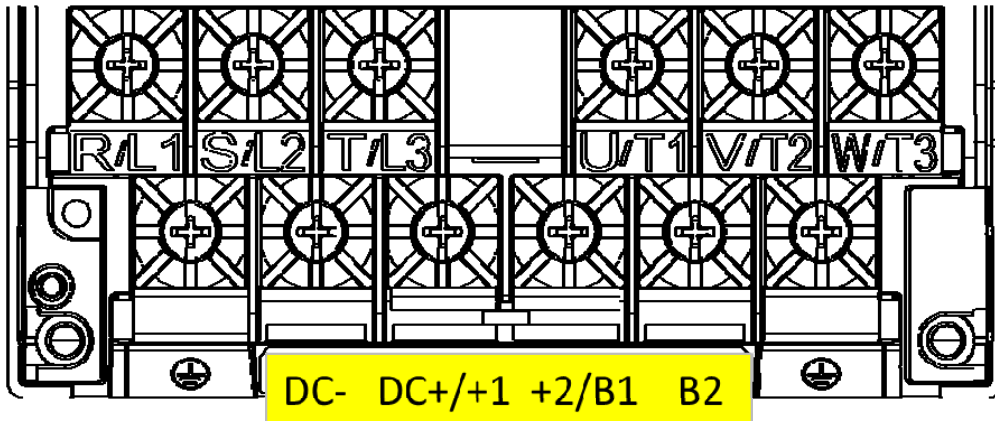


Figure 5-13

- If you install at Ta 50°C above environment, use copper wires that have a voltage rating of 600 V and are temperature resistant to 90°C or above.
- If you install at Ta 50°C environment, use copper wires that have a voltage rating of 600 V and are temperature resistant to 75°C or 90°C.
- For VFD65AMS23ANSAA and VFD65AMS23ENSAA models: If you install at Ta 35°C above environment, use copper wires that have a voltage rating of 600 V and are temperature resistant to 90°C or above.
- To be UL installation compliant, you must use copper wires when installing. The wire gauge is based on a temperature resistance of 75°C, in accordance with UL requirements and recommendations. Do not reduce the wire gauge when using high-temperature resistant wires.

Models	Main Circuit Terminals R/L1, S/L2, T/L3, U/T1, V/T2, W/T3, DC-, DC+ / +1, +2/B1, B2			Grounding Terminals ⊕		
	Max. Wire Gauge	Min. Wire Gauge	Screw Size & Torque (±10%)	Max. Wire Gauge	Min. Wire Gauge	Screw Size & Torque (±10%)
VFD65AMS23ANSAA VFD65AMS23ENSAA	35 mm ² [2 AWG]	35 mm ² [2 AWG]	M6 40 kg-cm [34.7 lb-in.] [3.92 Nm]	35 mm ² [2 AWG]	16 mm ² [6 AWG]	M6 40 kg-cm [34.7 lb-in.] [3.92 Nm]
VFD38AMS43ANSAA VFD38AMS43ENSAA VFD38AMS43AFSAA		25 mm ² [4 AWG]		25 mm ² [4 AWG]		
VFD45AMS43ANSAA VFD45AMS43ENSAA VFD45AMS43AFSAA		35 mm ² [2 AWG]		35 mm ² [2 AWG]		

Table 5-8

Chapter 6 Control Terminals

6-1 Control Terminal Specifications



Analog input terminals (AVI, ACI, ACM)

- ☑ Analog input signals are easily affected by external noise. Use shielded wiring and keep it as short as possible (less than 20 m) with proper grounding. If the noise is inductive, connecting the shield to the ACM terminal can reduce interference.
- ☑ Use twisted-pair wire for weak analog signals.
- ☑ If the analog input signals are affected by noise from the AC motor drive, connect a capacitor and a ferrite core as shown in Figure 6-1.

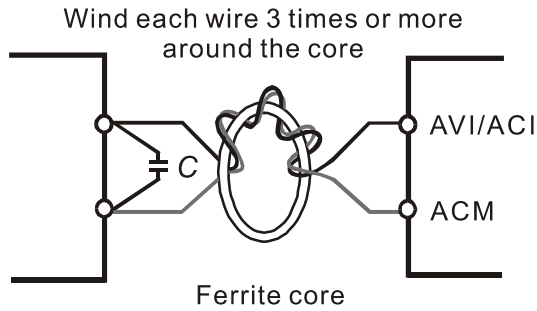


Figure 6-1

Contact input terminals (MI1–MI7, DCM, +24 V)

- ① Sink Mode with internal power (+24 V_{DC})

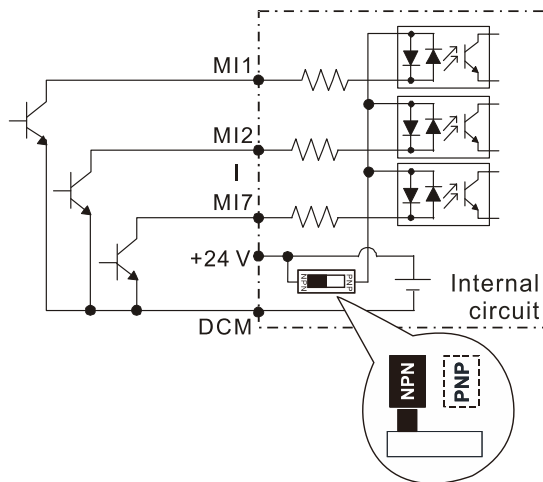


Figure 6-2

- ② Source Mode with internal power (+24 V_{DC})

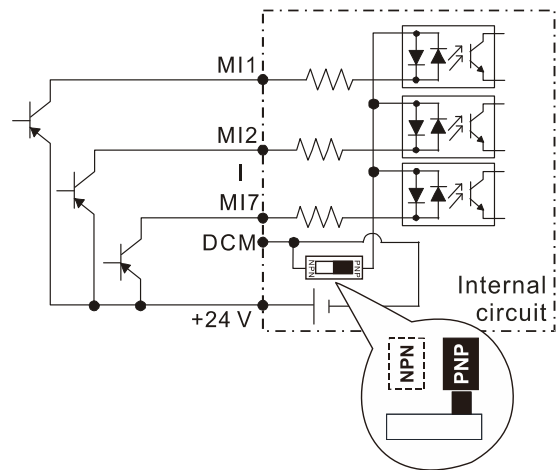
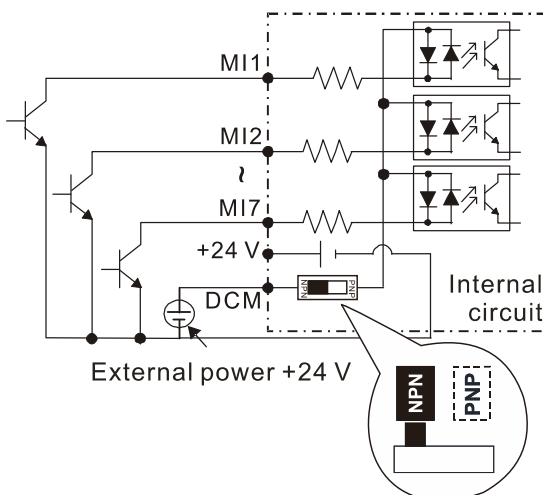
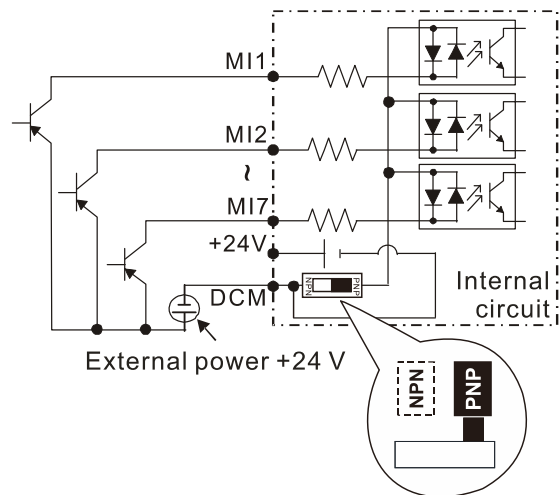


Figure 6-3

- ③ Sink Mode with external power

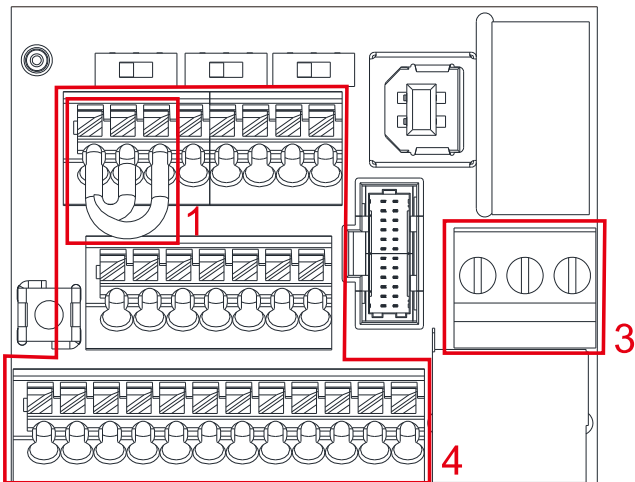


- ④ Source Mode with external power



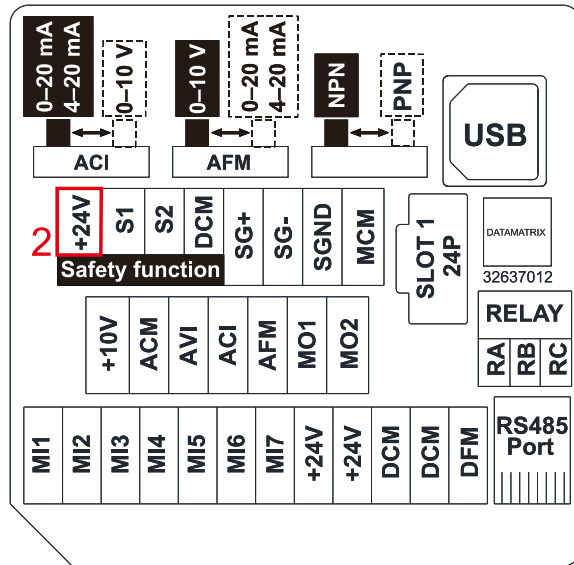
	<p style="text-align: center;">Figure 6-4</p> <p>☑ When the photo coupler uses the internal power supply, the switch connection for Sink and Source modes shows as Figure 6-2 and Figure 6-3: MI-DCM: Sink mode; MI-+24 V: Source mode.</p> <p style="text-align: center;">Figure 6-5</p> <p>Transistor output terminals (MO1, MO2, MCM)</p> <p>☑ Connect the digital outputs to the correct polarity.</p> <p>☑ When connecting a relay to the digital outputs, connect a surge absorber across the coil and check the polarity.</p>
--	---

6-1 Control Terminal Specifications



Control Terminal Distribution Diagram

Figure 6-6



Control Terminal Location Diagram

Figure 6-7

Wiring precautions:

1. The factory default is +24 V/S1/S2 short-circuited by jumper, as shown in Area 1 in Figure 6-6. Refer to Figure 4-2 in Chapter 4 WIRING for details.
2. Use the +24V power supply of the safety function (as shown in Area 2 in Figure 6-7) for STO only. Do NOT use it for other purposes.
3. The RELAY terminal uses the PCB terminal block (as shown in Area 3 in Figure 6-6):
 - Tighten the wiring with a 3.5 mm width and 0.6 mm thickness slotted screwdriver.
 - The ideal length of stripped wire at the connection side is 6–7 mm.
 - When wiring bare wires, ensure that they are perfectly arranged to go through the wiring holes.
4. The Control terminal uses the push-in spring terminal block (as shown in Area 4 in Figure 6-6):
 - Tighten the wiring with a 2.5 mm width and 0.4 mm thickness slotted screwdriver.
 - The ideal length of stripped wire at the connection side is 9 mm.
 - When wiring bare wires, ensure that they are perfectly arranged to go through the wiring holes.

Wiring Specifications of Control Terminal

Terminal Name	Wiring Specifications of Control Terminals	Stripping Length (mm)	Maximum Wire Gauge	Minimum Wire Gauge	Tightening Torque (±10%)
RELAY Terminals	Solid	6–7	1.5 mm ² [16 AWG]	0.2 mm ² [24 AWG]	5 Kg-cm [4.3 lb-in.] [0.49 Nm]
	Strand				
Control Terminals	Solid	9	0.75 mm ² [18 AWG]	0.25 mm ² [24 AWG]	/
	Strand				
	Stranded with ferrules with plastic sleeve	9	0.5 mm ² [20 AWG]		

Table 6-1

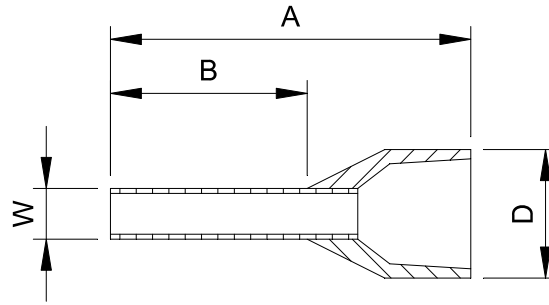


Figure 6-8

Recommended models or dimensions for crimping terminals

Unit: mm

Wire Gauge	Manufacturer	Model Name	A (MAX)	B (MAX)	D (MAX)	W (MAX)
0.25 mm ² [24 AWG]	PHOENIX CONTACT	AI 0,25- 8 YE	12.5	8	2.6	1.1
0.34 mm ² [22 AWG]	PHOENIX CONTACT	AI 0,34- 8 TQ	12.5	8	3.3	1.3
0.5 mm ² [20 AWG]	PHOENIX CONTACT	AI 0,5 - 8 WH	14	8	3.5	1.4

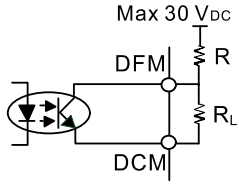
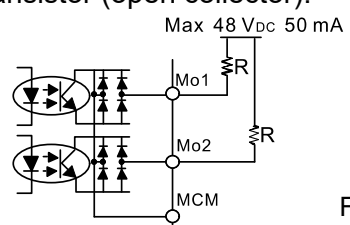
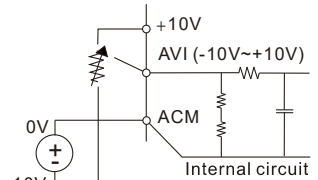
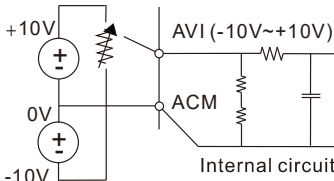
Recommended specifications and models for crimping tool:

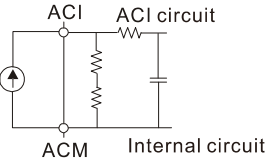
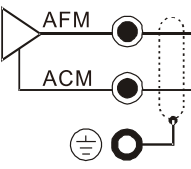
CRIMPFOX 10S - 1212045, Manufacturer: PHOENIX CONTACT

DNT13-0101, Manufacturer: DINKLE

Table 6-2

Terminals	Terminal Function	Description
+24V	Digital control signal common (Source)	+24 V \pm 10 % 100 mA
MI1 – MI7	Multi-function input 1–7	<p>Refer to Pr.02-01–02-07 to program the multi-function inputs MI1–MI7.</p> <p>Source Mode ON: activation current 3.3 mA \geq 11 V_{DC} OFF: cut-off voltage \leq 5 V_{DC}</p> <p>Sink Mode ON: activation current 3.3 mA \leq 13 V_{DC} OFF: cut-off voltage \geq 19 V_{DC}</p> <ul style="list-style-type: none"> ■ When Pr.02-00=0, MI1 and MI2 can be programmed. ■ When Pr.02-00\neq0, the functions of MI1 and MI2 act according to Pr.02-00 setting. ■ When Pr.02-07=0, MI7 is pulse input terminal. ■ MI7 uses pulse input, and the maximum input frequency=33 kHz. You can use it as frequency command source or connect it to the encoder for motor closed-loop control. ■ MI7 motor closed-loop control only supports VFPG control mode.

Terminals	Terminal Function	Description
DFM	Digital frequency signal output  Figure 6-9	DFM uses pulse voltage as an output monitoring signal; Duty-cycle: 50 % Min. load impedance R_L : 1 k Ω / 100 pF Max. current endurance: 30 mA Max. voltage: 30 V _{DC} \pm 1 % (when 30 V _{DC} / 30 mA / R_L =100 pF) Max. output frequency: 33 kHz Current-limiting resistor R: \geq 1 K Ω Output load impedance R_L Capacitive load \leq 100 pF Resistive load \geq 1 k Ω , resistance determines the output voltage value. DFM-DCM voltage = external voltage * (R_L / (R_L +R))
DCM	Digital control / Frequency signal common (Sink)	
MO1	Multi-function Output 1 (photo coupler)	The AC motor drive outputs various monitoring signals, such as drive in operation, frequency reached, and overload indication through a transistor (open collector).  Figure 6-10
MO2	Multi-function Output 2 (photo coupler)	
MCM	Multi-function Output Common (photo coupler)	
RA	Multi-function relay output 1 (N.O.) a	Resistive Load 3 A (N.O.) / 3 A (N.C.) 250 V _{AC} 5 A (N.O.) / 3 A (N.C.) 30 V _{DC}
RB	Multi-function relay output 1 (N.C.) b	Inductive Load (COS 0.4) 1.2 A (N.O.) / 1.2 A (N.C.) 250 V _{AC} 2.0 A (N.O.) / 1.2 A (N.C.) 30 V _{DC}
RC	Multi-function relay common	To output different kinds of monitoring signals such as motor drive in operation, frequency reached, and overload indication.
+10 V	Potentiometer power supply	Power supply for analog frequency setting: +10.5 \pm 0.5 V _{DC} / 20 mA
AVI	Analog voltage frequency command  Figure 6-11  Figure 6-12	Impedance: 20 k Ω Range: 0–10 V / -10–10 V = 0–Maximum Operation Frequency (Pr.01-00) Mode switching by setting Pr.03-00, Pr.03-28 AVI resolution=10 bits

Terminals	Terminal Function	Description
ACI	Analog current frequency command  Figure 6-13	Impedance: Current mode=250 Ω , Voltage mode=20 k Ω Range: 0–20 mA / 4–20 mA / 0–10 V = 0–Maximum Operation Frequency (Pr.01-00) Mode switching by setting Pr.03-01, Pr. 03-29 ACI resolution = 12 bits
AFM	Multi-function analog voltage output  Figure 6-14	Switch: The AFM default is 0–10 V (voltage mode). To switch to the current mode, follow the instructions indicated on the inner side of the front cover or refer to page 6-2 in the user manual to switch AFM to the current mode position (0–20 mA / 4–20 mA) and set Pr.03.31. Voltage mode Range: 0–10 V (Pr.03-31=0) corresponds to the maximum operating range of the control target Max. output current: 2 mA Max. Load: 5 k Ω Current mode Range: 0–20 mA (Pr.03-31=1) / 4–20 mA (Pr.03-31=2) corresponds to the maximum operating range of the control target, maximum load 500 Ω AFM resolution=10 bits
ACM	Analog Signal Common	Analog signal common terminal
S1, S2	Default: S1 / S2 short-circuited to +24 V Rated voltage: 24 V _{DC} \pm 10 %; maximum voltage: 30 V _{DC} \pm 10 % Rated current: 6.67 mA \pm 10 % STO activation mode Input voltage level: 0 V _{DC} < S1-DCM or S2-DCM < 5 V _{DC} STO response time \leq 20 ms (S1 / S2 operates until the AC motor drive stops outputting current)	
DCM	STO cut-off mode Input voltage level: 11 V _{DC} < S1-DCM and S2-DCM < 30 V _{DC} Power removal safety function per EN 954-1 and IEC / EN 61508 Note: Refer to Chapter 17 SAFE TORQUE OFF FUNCTION for details.	
SG+	Modbus RS-485	
SG-	Note: Refer to Chapter 12 DESCRIPTIONS OF PARAMETER SETTINGS parameter group	
SGND	09 Communication Parameters for details.	
RJ45	PIN 1, 2, 6: Reserved PIN 5: SG+	PIN 3, 7: SGND PIN 4: SG- PIN 8: +10 VS (provides KPC-CC01(optional) power supply)

* Analog control signal wiring specification: 0.82 mm² [18 AWG] with shielded stranded wire.

Table 6-3

[This page intentionally left blank]

Chapter 7 Optional Accessories

- 7-1 Brake Resistors and Brake Units Used in AC Motor Drives
- 7-2 Magnetic Contactor / Air Circuit Breaker and Non-fuse Circuit Breaker
- 7-3 Fuse Specification Chart
- 7-4 AC / DC Reactor
- 7-5 Zero Phase Reactors
- 7-6 EMC Filter
- 7-7 EMC Shield Plate
- 7-8 Capacitive Filter
- 7-9 Conduit Box
- 7-10 Fan Kit
- 7-11 Keypad Panel Mounting
- 7-12 DIN-Rail Mounting
- 7-13 Mounting Adapter Plate
- 7-14 Digital Keypad - KPC-CC01

The optional accessories listed in this chapter are available upon request. Installing additional accessories to your drive substantially improves the drive’s performance. Select accessories according to your need or contact your local distributor for suggestions.

7-1 Brake Resistors and Brake Units Used in AC Motor Drives

115V one-phase

Model	Applicable Motor		*1 125% Braking Torque / 10% ED					Max. Braking Torque			
	HP	KW	*2 Braking Torque (kg-m)	Resistor Value Spec. for Each AC Motor Drive	Brake Resistor for Each Brake Unit			Braking Current (A)	Min. Resistor Value (Ω)	Max. Total Braking Current (A)	Peak Power (kW)
					*3 Part No.	Q'ty	Usage				
VFD1A6MS11XNSXX	0.25	0.2	0.1	80W 750 Ω	BR080W750	1	-	0.5	190.0	2	0.8
VFD2A5MS11XNSXX	0.5	0.4	0.3	80W 200 Ω	BR080W200	1	-	1.9	95.0	4	1.5
VFD4A8MS11XNSXX	1	0.75	0.5	80W 200 Ω	BR080W200	1	-	1.9	63.3	6	2.3

Table 7-1-1

230V one-phase

Model	Applicable Motor		*1 125% Braking Torque / 10% ED					Max. Braking Torque			
	HP	KW	*2 Braking Torque (kg-m)	Resistor Value Spec. for Each AC Motor Drive	Brake Resistor for each Brake Unit			Braking Current (A)	Min. Resistor Value (Ω)	Max. Total Braking Current (A)	Peak Power (kW)
					*3 Part No.	Q'ty	Usage				
VFD1A6MS21XNSXX VFD1A6MS21AFSAA	0.25	0.2	0.1	80 W 750 Ω	BR080W750	1	-	0.5	190.0	2	0.8
VFD2A8MS21XNSXX VFD2A8MS21AFSAA	0.5	0.4	0.3	80 W 200 Ω	BR080W200	1	-	1.9	95.0	4	1.5
VFD4A8MS21XNSXX VFD4A8MS21AFSAA	1	0.75	0.5	80 W 200 Ω	BR080W200	1	-	1.9	63.3	6	2.3
VFD7A5MS21XNSXX VFD7A5MS21AFSAA	2	1.5	1	200 W 91 Ω	BR200W091	1	-	4.2	47.5	8	3.0
VFD11AMS21XNSXX VFD11AMS21AFSAA	3	2.2	1.5	300 W 70 Ω	BR300W070	1	-	5.4	38.0	10	3.8

Table 7-1-2

230V three-phase

Model	Applicable Motor		*1 125% Braking Torque / 10% ED					Max. Braking Torque			
	HP	KW	*2 Braking Torque (kg-m)	Resistor Value Spec. for Each AC Motor Drive	Brake Resistor for each Brake Unit			Braking Current (A)	Min. Resistor Value (Ω)	Max. Total Braking Current (A)	Peak Power (kW)
					*3 Part No.	Q'ty	Usage				
VFD1A6MS23XNSXX	0.25	0.2	0.1	80 W 750 Ω	BR080W750	1	-	0.5	190.0	2	0.8
VFD2A8MS23XNSXX	0.5	0.4	0.3	80 W 200 Ω	BR080W200	1	-	1.9	95.0	4	1.5
VFD4A8MS23XNSXX	1	0.75	0.5	80 W 200 Ω	BR080W200	1	-	1.9	63.3	6	2.3
VFD7A5MS23XNSXX	2	1.5	1	200 W 91 Ω	BR200W091	1	-	4.2	47.5	8	3.0
VFD11AMS23XNSXX	3	2.2	1.5	300 W 70 Ω	BR300W070	1	-	5.4	38.0	10	3.8
VFD17AMS23XNSXX	5	3.7	2.5	400 W 40 Ω	BR400W040	1	-	9.5	19.0	20	7.6
VFD25AMS23XNSXX	7.5	5.5	3.7	1000 W 20 Ω	BR1K0W020	1	-	19	16.5	23	8.7
VFD33AMS23XNSXX	10	7.5	5.1	1000 W 20 Ω	BR1K0W020	1	-	19	14.6	26	9.9
VFD49AMS23XNSXX	15	11	7.4	1500 W 13 Ω	BR1K5W013	1	-	29	12.6	29	11.0
VFD65AMS23XNSXX	20	15	10.2	2000 W 8.6 Ω	BR1K0W4P3	2	2 in series	44	8.3	46	17.5

Table 7-1-3

460V three-phase

Model	Applicable Motor		*1 125% Braking Torque / 10% ED					Max. Braking Torque			
	HP	KW	*2 Braking Torque (kg-m)	Resistor Value Spec. for Each AC Motor Drive	Brake Resistor for each Brake Unit			Braking Current (A)	Min. Resistor Value (Ω)	Max. Total Braking Current (A)	Peak Power (kW)
					*3 Part No.	Q'ty	Usage				
VFD1A5MS43XNSXX VFD1A5MS43AFSAA	0.5	0.4	0.3	80 W 750 Ω	BR080W750	1		1	380.0	2	1.5
VFD2A7MS43XNSXX VFD2A7MS43AFSAA	1	0.75	0.5	80 W 750 Ω	BR080W750	1		1	190.0	4	3.0
VFD4A2MS43XNSXX VFD4A2MS43AFSAA	2	1.5	1	200 W 360 Ω	BR200W360	1		2.1	126.7	6	4.6
VFD5A5MS43XNSXX VFD5A5MS43AFSAA	3	2.2	1.5	300 W 250 Ω	BR300W250	1		3	108.6	7	5.3
VFD9A0MS43XNSXX VFD9A0MS43AFSAA	5	3.7	2.5	400 W 150 Ω	BR400W150	1		5.1	84.4	9	6.8
VFD13AMS43XNSXX VFD13AMS43AFSAA	7.5	5.5	3.7	1000 W 75 Ω	BR1K0W075	1		10.2	50.7	15	11.4
VFD17AMS43XNSXX VFD17AMS43AFSAA	10	7.5	5.1	1000 W 75 Ω	BR1K0W075	1		10.2	40.0	19	14.4
VFD25AMS43XNSXX VFD25AMS43AFSAA	15	11	7.4	1500 W 43 Ω	BR1K5W043	1		17.6	33.0	23	17.5
VFD32AMS43XNSXX VFD32AMS43AFSAA	20	15	10.2	2000 W 32 Ω	BR1K0W016	2	2 in series	24	26.2	29	22.0
VFD38AMS43XNSXX VFD38AMS43AFSAA	25	18	12.2	2000 W 32 Ω	BR1K0W016	2	2 in series	24	26.2	29	22.0
VFD45AMS43XNSXX VFD45AMS43AFSAA	30	22	14.9	3000 W 26 Ω	BR1K5W013	2	2 in series	29	23.0	33	25.1

Table 7-1-4

575V three-phase

Model	Applicable Motor		*1 125% Braking Torque / 10% ED					Max. Braking Torque			
	HP	KW	*2 Braking Torque (kg-m)	Resistor Value Spec. for Each AC Motor Drive	Brake Resistor for each Brake Unit			Braking Current (A)	Min. Resistor Value (Ω)	Max. Total Braking Current (A)	Peak Power (kW)
					*3 Part No.	Q'ty	Usage				
VFD1A7MS53ANSAA	1	0.75	0.5	80W 750Ω	BR080W750	1	-	1.2	280.0	4	4.5
VFD3A0MS53ANSAA	2	1.5	1	200W 360Ω	BR200W360	1	-	2.6	186.7	6	6.7
VFD4A2MS53ANSAA	3	2.2	1.5	300W 400Ω	BR300W400	1	-	2.3	160.0	7	7.8
VFD6A6MS53ANSAA	5	3.7	2.5	500W 100Ω	BR500W100	1	-	9.2	93.3	12	13.4
VFD9A9MS53ANSAA	7.5	5.5	3.7	750W 140Ω	BR750W140	1	-	6.6	80.0	14	15.7
VFD12AMS53ANSAA	10	7.5	5.1	1000W 75Ω	BR1K0W075	1	-	12.3	70.0	16	17.9

Table 7-1-5

*1 Calculation for 125% brake torque: (kW)*125%*0.8; where 0.8 is motor efficiency.

Because of the limited resistor power, the longest operation time for 10% ED is 10 seconds (ON: 10 sec. / OFF: 90 sec.).

*2 The calculation of the brake resistor is based on a four-pole motor (1800 rpm).

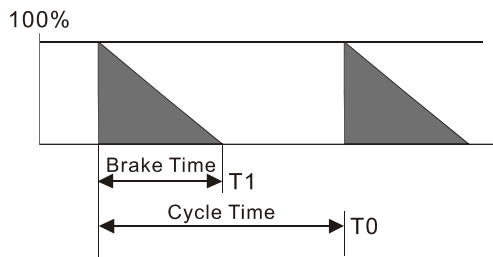
*3 For heat dissipation, a resistors of 400 W or lower should be fixed to the frame and maintain the surface temperature below 250°C; a resistor of 1000 W and above should maintain the surface temperature below 350°C.

(If the surface temperature is higher than the temperature limit, install extra cooling or increase the size of the resistor.)

NOTE

1. Select the resistance value, power and brake usage (ED %) according to Delta rules.

Definition for Brake Usage ED%



$$ED\% = T1 / T0 \times 100(\%)$$

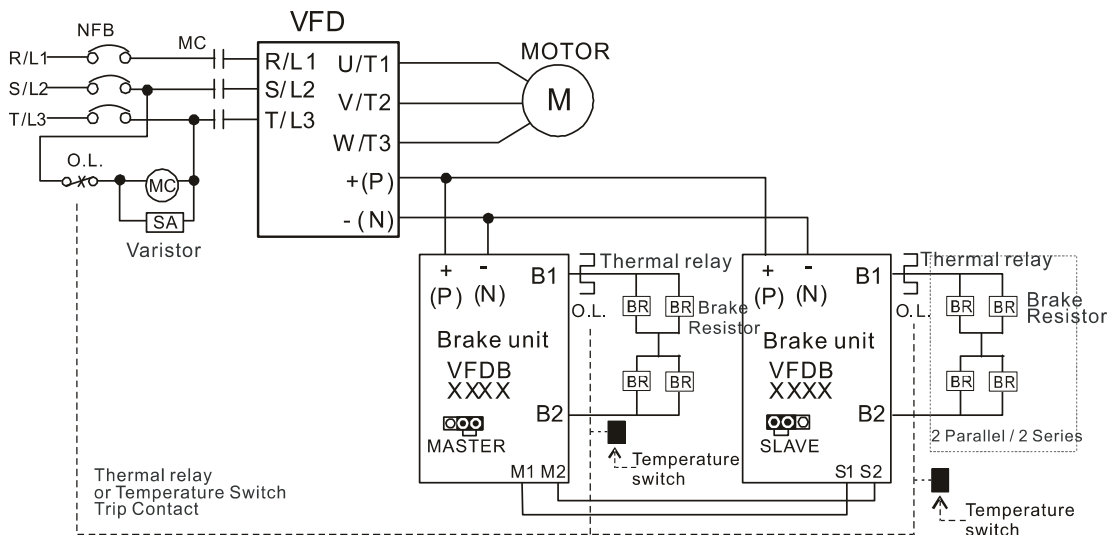
Explanation:

Brake usage ED (%) is the amount of time needed for the brake unit and brake resistor to dissipate heat generated by braking. When the brake resistor heats up, the resistance increases with temperature, and braking torque decreases accordingly.

Figure 7-1-1

For safety, install a thermal overload relay (O.L.) between the brake unit and the brake resistor in conjunction with the magnetic contactor (MC) before the drive for additional protection. The thermal overload relay protects the brake resistor from damage due to frequent or continuous braking. Under such circumstances, turn off the power to prevent damage to the brake resistor, brake unit and drive.

NOTE: Never use it to disconnect the brake resistor.



- When AC Drive is equipped with a DC reactor, please read user manual for the correct wiring for the brake unit input circuit + (P).
- DO NOT connect input circuit - (N) to the neutral point of the power system.

Figure 7-1-2

2. Any damage to the drive or other equipment caused by using brake resistors and brake modules that are not provided by Delta voids the warranty.
3. Consider environmental safety factors when installing the brake resistors. If you use the minimum resistance value, consult local dealers for the power calculation.
4. When using more than two brake units, the equivalent resistor value of the parallel brake unit cannot be less than the value in the column "Min. Resistor Value (Ω)". Read the wiring information in the brake unit instruction sheet thoroughly prior to operation. Visit the following links to get the instruction sheets for the wiring in the brake unit:

- VFDB2015 / 2022 / 4030 / 4045 / 5055 Braking Modules Instruction Sheet

http://www.deltaww.com/filecenter/Products/download/06/060101/Option/DELTA_IA-MDS_VFDB_I_EN_20070719.pdf

- VFDB4110 / 4160 / 4185 Braking Modules Instruction Sheet
http://www.deltaww.com/filecenter/Products/download/06/060101/Option/DELTA_IA-MDS_VFDB4110-4160-4185_I_EN_20101011.pdf
- VFDB6055 / 6110 / 6160 / 6200 Braking Modules Instruction Sheet
http://www.deltaww.com/filecenter/Products/download/06/060101/Option/DELTA_IA-MDS_VFDB6055-6110-6160-6200_I_TSE_20121030.pdf

5. The selection tables are for normal usage. If the AC motor drive requires frequent braking, increase the Watts by two to three times.

6. Thermal Overload Relay (TOR):

Thermal overload relay selection is based on its overload capacity. A standard braking capacity of the MS300 is 10% ED (Tripping time=10 s). As shown in the figure below, a 460V, 1kw MS300 required the thermal relay to take 260% overload capacity for 10 seconds (hot starting) and the braking current is 24A. In this case, select a thermal overload relay rated at 10 A ($10 * 260\% = 26 \text{ A} > 24 \text{ A}$). The property of each thermal relay may vary among different manufacturers. Carefully read the specification before using it.

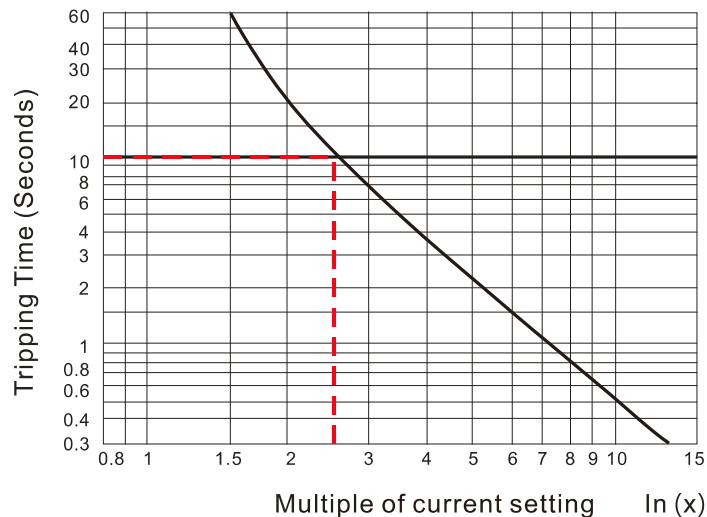


Figure 7-1-3

7-2 Magnetic Contactor / Air Circuit Breaker and Non-fuse Circuit Breaker

Magnetic Contactor (MC) and Air Circuit Breaker (ACB)

It is recommended the surrounding temperature for MC should be $\geq 60^{\circ}\text{C}$ and that for ACB should be $\geq 50^{\circ}\text{C}$. In the meanwhile, consider temperature derating for components with ON / OFF switch in accordance with the ambient temperature of the on-site distribution panel.

115V Series

Frame	Model	Heavy Duty Output Current [A]	Heavy Duty Input Current [A]	MC/ACB Selection [A]
A	VFD1A6MS11ANSAA	6	1.6	11
	VFD2A5MS11ANSAA	9.4	2.5	18
C	VFD4A8MS11ANSAA	18	4.8	32

Table 7-2-1

230V Series

Frame	Model	Heavy Duty Output Current [A]	Heavy Duty Input Current [A]	MC/ACB Selection [A]
A	VFD1A6MS21ANSAA	5.1	1.6	9
	VFD2A8MS21ANSAA	7.3	2.8	13
	VFD1A6MS23ANSAA	1.9	1.6	9
	VFD2A8MS23ANSAA	3.4	2.8	9
	VFD4A8MS23ANSAA	5.8	4.8	11
B	VFD1A6MS21AFSAA	5.1	1.6	9
	VFD2A8MS21AFSAA	7.3	2.8	13
	VFD4A8MS21AFSAA	10.8	4.8	18
	VFD4A8MS21ANSAA	10.8	4.8	18
	VFD7A5MS23ANSAA	9	7.5	18
C	VFD7A5MS21ANSAA	16.5	7.5	32
	VFD11AMS21ANSAA	24.2	11	40
	VFD7A5MS21AFSAA	16.5	7.5	32
	VFD11AMS21AFSAA	24.2	11	40
	VFD11AMS23ANSAA	13.2	11	22
	VFD17AMS23ANSAA	20.4	17	32
D	VFD25AMS23ANSAA	30	25	55
E	VFD33AMS23ANSAA	39.6	33	65
	VFD49AMS23ANSAA	58.8	49	105
F	VFD65AMS23ANSAA	78	65	130

Table 7-2-2

460V Series

Frame	Model	Heavy Duty Output Current [A]	Heavy Duty Input Current [A]	MC/ACB Selection [A]
A	VFD1A5MS43ANSAA	2.1	1.5	7
	VFD2A7MS43ANSAA	3.7	2.7	7
B	VFD4A2MS43ANSAA	5.8	4.2	9
	VFD1A5MS43AFSAA	2.1	1.5	7
	VFD2A7MS43AFSAA	3.7	2.7	7
	VFD4A2MS43AFSAA	5.8	4.2	9
C	VFD5A5MS43ANSAA	6.1	5.5	12
	VFD7A3MS43ANSAA	8.1	7.3	18
	VFD9A0MS43ANSAA	9.9	9	18
	VFD5A5MS43AFSAA	6.1	5.5	12
	VFD7A3MS43AFSAA	8.1	7.3	18
	VFD9A0MS43AFSAA	9.9	9	18
D	VFD13AMS43ANSAA	14.3	13	22
	VFD13AMS43AFSAA	14.3	13	22
	VFD17AMS43ANSAA	18.7	17	32
	VFD17AMS43AFSAA	18.7	17	32
E	VFD25AMS43ANSAA	27.5	25	65
	VFD32AMS43ANSAA	35.2	32	65
	VFD25AMS43AFSAA	27.5	25	65
	VFD32AMS43AFSAA	35.2	32	65
F	VFD38AMS43ANSAA	41.8	38	65
	VFD45AMS43ANSAA	49.5	45	75
	VFD38AMS43AFSAA	41.8	38	65
	VFD45AMS43AFSAA	49.5	45	75

Table 7-2-3

575V Series

Frame	Model	Heavy Duty Output Current [A]	Heavy Duty Input Current [A]	MC/ACB Selection [A]
A	VFD1A7MS53ANSAA	2	1.7	6
B	VFD3A0MS53ANSAA	3.5	3	6
C	VFD4A2MS53ANSAA	4.9	4.2	12
	VFD6A6MS53ANSAA	7.7	6.6	12
D	VFD9A9MS53ANSAA	11.5	9.9	20
	VFD12AMS53ANSAA	14.2	12.2	28

Table 7-2-4

Non-fuse Circuit Breaker

Comply with the UL standard: Per UL 508, paragraph 45.8.4, part a.

The rated current of the non-fuse circuit breaker should be 1.6–2.6 times the drive’s rated input current. The recommended current values are shown in the table below. Compare the time characteristics of the non-fuse circuit breaker with those of the drive’s overheated protection to ensure that there is no tripping.

Model	Voltage / One-phase (Three-phase)	Breaker Rated Input Recommended Current [A]
VFD1A6MS11ANSXX VFD1A6MS11ENSXX	115V / One-phase	20
VFD2A5MS11ANSXX VFD2A5MS11ENSXX		25
VFD4A8MS11ANSXX VFD4A8MS11ENSXX		50
VFD1A6MS21ANSXX VFD1A6MS21ENSXX VFD1A6MS21AFSXX	230V / One-phase	15
VFD2A8MS21ANSXX VFD2A8MS21ENSXX VFD2A8MS21AFSXX		20
VFD4A8MS21ANSXX VFD4A8MS21ENSXX VFD4A8MS21AFSXX		30
VFD7A5MS21ANSXX VFD7A5MS21ENSXX VFD7A5MS21AFSXX		45
VFD11AMS21ANSXX VFD11AMS21ENSXX VFD11AMS21AFSXX		70
VFD1A6MS23ANSXX VFD1A6MS23ENSXX		230V / Three-phase
VFD2A8MS23ANSXX VFD2A8MS23ENSXX	15	
VFD4A8MS23ANSXX VFD4A8MS23ENSXX	15	
VFD7A5MS23ANSXX VFD7A5MS23ENSXX	25	
VFD11AMS23ANSXX VFD11AMS23ENSXX	40	
VFD17AMS23ANSXX VFD17AMS23ENSXX	60	
VFD25AMS23ANSXX VFD25AMS23ENSXX	63	
VFD33AMS23ANSXX VFD33AMS23ENSXX	90	
VFD49AMS23ANSXX VFD49AMS23ENSXX	125	
VFD65AMS23ANSXX VFD65AMS23ENSXX	160	

Model	Voltage / One-phase (Three-phase)	Breaker Rated Input Recommended Current [A]	
VFD1A5MS43ANSXX VFD1A5MS43ENSXX VFD1A5MS43AFSXX	460V / Three-phase	15	
VFD2A7MS43ANSXX VFD2A7MS43ENSXX VFD2A7MS43AFSXX		15	
VFD4A2MS43ANSXX VFD4A2MS43ENSXX VFD4A2MS43AFSXX		15	
VFD5A5MS43ANSXX VFD5A5MS43ENSXX VFD5A5MS43AFSXX		20	
VFD9A0MS43ANSXX VFD9A0MS43ENSXX VFD9A0MS43AFSXX		30	
VFD13AMS43ANSXX VFD13AMS43ENSXX VFD13AMS43AFSXX		32	
VFD17AMS43ANSXX VFD17AMS43ENSXX VFD17AMS43AFSXX		45	
VFD25AMS43ANSXX VFD25AMS43ENSXX VFD25AMS43AFSXX		60	
VFD32AMS43ANSXX VFD32AMS43ENSXX VFD32AMS43AFSXX		80	
VFD38AMS43ANSXX VFD38AMS43ENSXX VFD38AMS43AFSXX		90	
VFD45AMS43ANSXX VFD45AMS43ENSXX VFD45AMS43AFSXX		100	
VFD1A7MS53ANSAA		575V / Three-phase	6
VFD3A0MS53ANSAA			10
VFD4A2MS53ANSAA	16		
VFD6A6MS53ANSAA	25		
VFD9A9MS53ANSAA	25		
VFD12AMS53ANSAA	32		

Table 7-2-5

7-3 Fuse Specification Chart

- ☑ Fuse specifications lower than the table below are allowed.
- ☑ For installation in the United States, branch circuit protection must be provided in accordance with the National Electrical Code (NEC) and any applicable local codes. Use UL classified fuses to fulfill this requirement.
- ☑ For installation in Canada, branch circuit protection must be provided in accordance with Canadian Electrical Code and any applicable provincial codes. Use UL classified fuses to fulfill this requirement.

Model	Voltage / One-phase (Three-phase)	Branch Circuit Fuses Output [A]
VFD1A6MS11ANSXX VFD1A6MS11ENSXX	115V / One-phase	7.2
		Class T JJS-10 600 V _{AC}
VFD2A5MS11ANSXX VFD2A5MS11ENSXX		10.8
		Class T JJS-10 600 V _{AC}
VFD4A8MS11ANSXX VFD4A8MS11ENSXX		22
		Class T JJS-25 600 V _{AC}
VFD1A6MS21ANSXX VFD1A6MS21ENSXX VFD1A6MS21AFSXX	230V / One-phase	7.2
		Class T JJS-10 600 V _{AC}
VFD2A8MS21ANSXX VFD2A8MS21ENSXX VFD2A8MS21AFSXX		12.8
		Class T JJS-15 600 V _{AC}
VFD4A8MS21ANSXX VFD4A8MS21ENSXX VFD4A8MS21AFSXX		20
		Class T JJS-20 600 V _{AC}
VFD7A5MS21ANSXX VFD7A5MS21ENSXX VFD7A5MS21AFSXX		34
		Class T JJS-35 600 V _{AC}
VFD11AMS21ANSXX VFD11AMS21ENSXX VFD11AMS21AFSXX		50
		Class T JJS-50 600 V _{AC}
VFD1A6MS23ANSXX VFD1A6MS23ENSXX	230V / Three-phase	7.2
		Class T JJS-10 600 V _{AC}
VFD2A8MS23ANSXX VFD2A8MS23ENSXX		12.8
		Class T JJS-15 600 V _{AC}
VFD4A8MS23ANSXX VFD4A8MS23ENSXX		20
		Class T JJS-20 600 V _{AC}
VFD7A5MS23ANSXX VFD7A5MS23ENSXX		32
		Class T JJS-35 600 V _{AC}
VFD11AMS23ANSXX VFD11AMS23ENSXX		50
		Class T JJS-50 600 V _{AC}
VFD17AMS23ANSXX VFD17AMS23ENSXX		78
		Class T JJS-80 600 V _{AC}
VFD25AMS23ANSXX VFD25AMS23ENSXX		59.4
		Class T JJS-60 600 V _{AC}
VFD33AMS23ANSXX VFD33AMS23ENSXX		79.2
		Class T JJS-80 600 V _{AC}
VFD49AMS23ANSXX VFD49AMS23ENSXX	112.2	
	Class T JJS-110 600 V _{AC}	
VFD65AMS23ANSXX VFD65AMS23ENSXX	151.8	
	Class T JJS-150 600 V _{AC}	

Model	Voltage / One-phase (Three-phase)	Branch Circuit Fuses Output [A]
VFD1A5MS43ANSXX VFD1A5MS43ENSXX VFD1A5MS43AFSXX	460V / Three-phase	7.2
		Class T JJS-10 600 V _{AC}
VFD2A7MS43ANSXX VFD2A7MS43ENSXX VFD2A7MS43AFSXX		12
		Class T JJS-15 600 V _{AC}
VFD4A2MS43ANSXX VFD4A2MS43ENSXX VFD4A2MS43AFSXX		18.4
		Class T JJS-20 600 V _{AC}
VFD5A5MS43ANSXX VFD5A5MS43ENSXX VFD5A5MS43AFSXX		26
		Class T JJS-25 600 V _{AC}
VFD9A0MS43ANSXX VFD9A0MS43ENSXX VFD9A0MS43AFSXX		42
		Class T JJS-45 600 V _{AC}
VFD13AMS43ANSXX VFD13AMS43ENSXX VFD13AMS43AFSXX		34.54
		Class T JJS-35 600 V _{AC}
VFD17AMS43ANSXX VFD17AMS43ENSXX VFD17AMS43AFSXX		45.1
		Class T JJS-45 600 V _{AC}
VFD25AMS43ANSXX VFD25AMS43ENSXX VFD25AMS43AFSXX		61.6
		Class T JJS-60 600 V _{AC}
VFD32AMS43ANSXX VFD32AMS43ENSXX VFD32AMS43AFSXX		79.2
		Class T JJS-80 600 V _{AC}
VFD38AMS43ANSXX VFD38AMS43ENSXX VFD38AMS43AFSXX	91.3	
	Class T JJS-90 600 V _{AC}	
VFD45AMS43ANSXX VFD45AMS43ENSXX VFD45AMS43AFSXX	107.8	
	Class T JJS-110 600 V _{AC}	
VFD1A7MS53ANSAA	575V / Three-phase	4.62
		Class T JJS-6 600 V _{AC}
VFD3A0MS53ANSAA		7.92
		Class T JJS-10 600 V _{AC}
VFD4A2MS53ANSAA		11
		Class T JJS-10 600 V _{AC}
VFD6A6MS53ANSAA		17.6
	Class T JJS-20 600 V _{AC}	
VFD9A9MS53ANSAA	25.3	
	Class T JJS-25 600 V _{AC}	
VFD12AMS53ANSAA	33	
	Class T JJS-30 600 V _{AC}	

Table 7-3-1

7-4 AC / DC Reactor

AC Input Reactor

Installing an AC reactor on the input side of an AC motor drive can increase line impedance, improve the power factor, reduce input current, increase system capacity, and reduce interference generated from the motor drive. It also reduces momentary voltage surges or abnormal current spikes from the mains power, further protecting the drive. For example, when the main power capacity is higher than 500 kVA, or when using a phase-compensation capacitor, momentary voltage and current spikes may damage the AC motor drive's internal circuit. An AC reactor on the input side of the AC motor drive protects it by suppressing surges.

Install an AC input reactor in series between the main power and the three input phases R S T, as shown in the figure below:

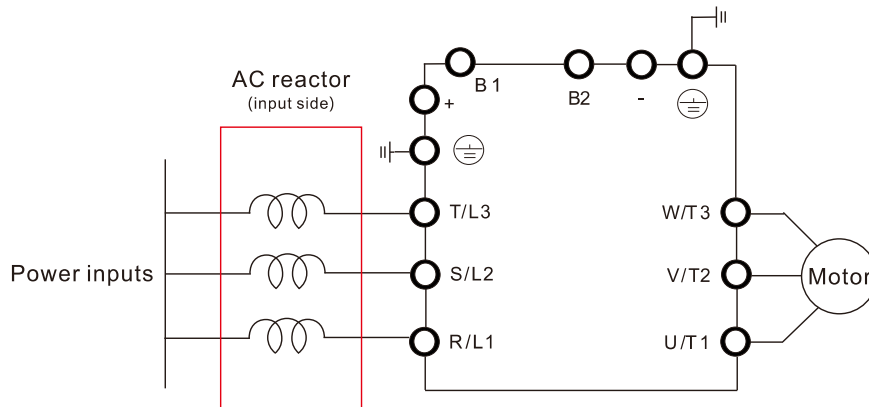


Figure 7-4-1

AC Output Reactor

When using drives in long wiring output application, ground fault (GFF), over-current (OC) and motor over-voltage (OV) often occur. GFF and OC cause errors due to the drive's self-protective mechanism; over-voltage damages motor insulation.

The excessive length of the output wires makes the grounded stray capacitance too large, increase the three-phase output common mode current, and the reflected wave of the long wires makes the motor dv / dt and the motor terminal voltage too high. Thus, installing a reactor on the drive's output side can increase the high-frequency impedance to reduce the dv / dt and terminal voltage to protect the motor.

Install an AC output reactor in series between the three output phases U V W and the motor, as shown in the figure below:

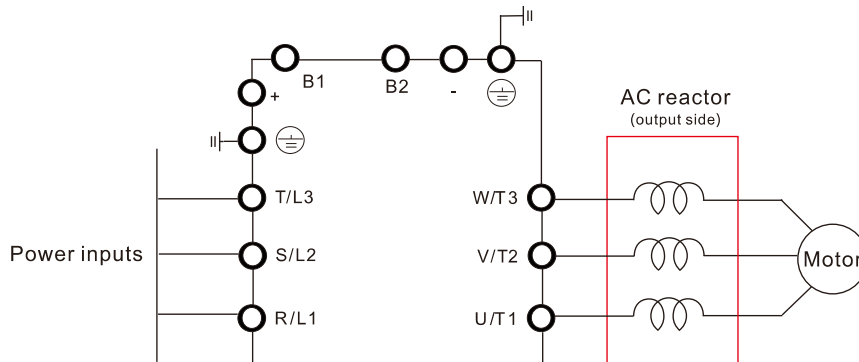


Figure 7-4-2

DC Reactor

A DC reactor can also increase line impedance, improve the power factor, reduce input current, increase system power, and reduce interference generated from the motor drive. A DC reactor stabilizes the DC bus voltage. Compared with an AC input reactor, a DC reactor is in smaller size, lower price, and lower voltage drop (lower power dissipation).

Install a DC reactor between terminals +1 and +2. Remove the jumper, as shown in the figure below, before installing a DC reactor.

Note: 115V models have no DC choke.

Input: one-phase / three-phase power

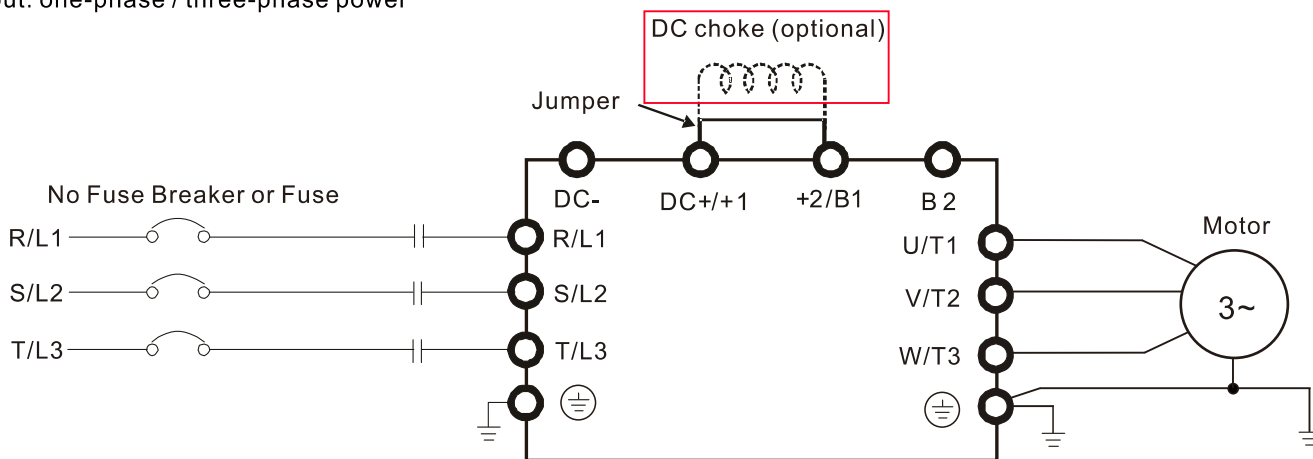


Figure 7-4-3

Applicable Reactors

115V, 50–60 Hz / One-phase - Normal Duty

Model	Rated Current [Arms]	Saturation Current [Arms]	Input / DC Reactor [mH]	Input / DC Reactor Delta Part #	Output Reactor [mH]	Output Reactor Delta Part #
VFD1A6MS11ANSAA VFD1A6MS11ENSAA	1.8	2.7	3.66	DR008D0366	2.54	DR005L0254
VFD2A5MS11ANSAA VFD2A5MS11ENSAA	2.7	4.05	2.66	DR011D0266	2.54	DR005L0254
VFD4A8MS11ANSAA VFD4A8MS11ENSAA	5.5	8.25	1.17	DR025D0117	1.59	DR008L0159

Table 7-4-1

115V, 50–60 Hz / One-phase - Heavy Duty

Model	Rated Current [Arms]	Saturation Current [Arms]	Input / DC Reactor [mH]	Input / DC Reactor Delta Part #	Output Reactor [mH]	Output Reactor Delta Part #
VFD1A6MS11ANSAA VFD1A6MS11ENSAA	1.6	3.2	3.66	DR008D0366	2.54	DR005L0254
VFD2A5MS11ANSAA VFD2A5MS11ENSAA	2.5	5	2.66	DR011D0266	2.54	DR005L0254
VFD4A8MS11ANSAA VFD4A8MS11ENSAA	5	9.6	1.17	DR025D0117	2.54	DR005L0254

Table 7-4-2

230V, 50–60 Hz / One-phase - Normal Duty

Model	Rated Current [Arms]	Saturation Current [Arms]	Input / DC Reactor [mH]	Input / DC Reactor Delta Part #	Output Reactor [mH]	Output Reactor Delta Part #
VFD1A6MS21ANSAA VFD1A6MS21ENSAA VFD1A6MS21AFSAA	1.8	2.7	5.857	DR005D0585	2.54	DR005L0254
VFD2A8MS21ANSAA VFD2A8MS21ENSAA VFD2A8MS21AFSAA	3.2	4.8	3.66	DR008D0366	2.54	DR005L0254
VFD4A8MS21ANSAA VFD4A8MS21ENSAA VFD4A8MS21AFSAA	5	7.5	2.66	DR011D0266	2.54	DR005L0254
VFD7A5MS21ANSAA VFD7A5MS21ENSAA VFD7A5MS21AFSAA	8.5	12.75	1.72	DR017D0172	1.15	DR011L0115
VFD11AMS21ANSAA VFD11AMS21ENSAA VFD11AMS21AFSAA	12.5	18.75	1.17	DR025D0117	0.746	DR017LP746

Table 7-4-3

230V, 50–60 Hz / One-phase - Heavy Duty

Model	Rated Current [Arms]	Saturation Current [Arms]	Input / DC Reactor [mH]	Input / DC Reactor Delta Part #	Output Reactor [mH]	Output Reactor Delta Part #
VFD1A6MS21ANSAA VFD1A6MS21ENSAA VFD1A6MS21AFSAA	1.6	3.2	5.857	DR005D0585	2.54	DR005L0254
VFD2A8MS21ANSAA VFD2A8MS21ENSAA VFD2A8MS21AFSAA	2.8	5.6	3.66	DR008D0366	2.54	DR005L0254
VFD4A8MS21ANSAA VFD4A8MS21ENSAA VFD4A8MS21AFSAA	4.8	9.6	2.66	DR011D0266	2.54	DR005L0254
VFD7A5MS21ANSAA VFD7A5MS21ENSAA VFD7A5MS21AFSAA	7.5	15	1.72	DR017D0172	1.59	DR008L0159
VFD11AMS21ANSAA VFD11AMS21ENSAA VFD11AMS21AFSAA	11	22	1.17	DR025D0117	1.15	DR011L0115

Table 7-4-4

230V, 50–60 Hz / Three-phase - Normal Duty

Model	Rated Current [Arms]	Saturation Current [Arms]	Input / Output Reactor [mH]	Input Reactor Delta Part #	Output Reactor Delta Part #	DC Reactor [mH]	DC Reactor Delta Part #
VFD1A6MS23ANSAA VFD1A6MS23ENSAA	1.8	2.7	2.536	DR005A0254	DR005L0254	5.857	DR005D0585
VFD2A8MS23ANSAA VFD2A8MS23ENSAA	3.2	4.8	2.536	DR005A0254	DR005L0254	5.857	DR005D0585
VFD4A8MS23ANSAA VFD4A8MS23ENSAA	5	7.5	2.536	DR005A0254	DR005L0254	5.857	DR005D0585
VFD7A5MS23ANSAA VFD7A5MS23ENSAA	8	12	1.585	DR008A0159	DR008L0159	3.66	DR008D0366
VFD11AMS23ANSAA VFD11AMS23ENSAA	12.5	18.75	0.746	DR017AP746	DR017LP746	2.662	DR011D0266
VFD17AMS23ANSAA VFD17AMS23ENSAA	19.5	29.25	0.507	DR025AP507	DR025LP507	1.722	DR017D0172
VFD25AMS23ANSAA VFD25AMS23ENSAA	27	40.5	0.32	DR033AP320	DR033LP320	1.172	DR025D0117

Model	Rated Current [Arms]	Saturation Current [Arms]	Input / Output Reactor [mH]	Input Reactor Delta Part #	Output Reactor Delta Part #	DC Reactor [mH]	DC Reactor Delta Part #
VFD33AMS23ANSAA VFD33AMS23ENSAA	36	54	0.216	DR049AP215	DR049LP215	0.851	DR033DP851
VFD49AMS23ANSAA VFD49AMS23ENSAA	51	76.5	0.216	DR049AP215	DR049LP215	0.574	DR049DP574
VFD65AMS23ANSAA VFD65AMS23ENSAA	69	103.5	0.169	DR075AP170	DR075LP170	0.432	DR065DP432

Table 7-4-5

230V, 50–60 Hz / Three-phase - Heavy Duty

Model	Rated Current [Arms]	Saturation Current [Arms]	Input / Output Reactor [mH]	Input Reactor Delta Part #	Output Reactor Delta Part #	DC Reactor [mH]	DC Reactor Delta Part #
VFD1A6MS23ANSAA VFD1A6MS23ENSAA	1.6	3.2	2.536	DR005A0254	DR005L0254	5.857	DR005D0585
VFD2A8MS23ANSAA VFD2A8MS23ENSAA	2.8	5.6	2.536	DR005A0254	DR005L0254	5.857	DR005D0585
VFD4A8MS23ANSAA VFD4A8MS23ENSAA	4.8	9.6	2.536	DR005A0254	DR005L0254	5.857	DR005D0585
VFD7A5MS23ANSAA VFD7A5MS23ENSAA	7.5	15	1.585	DR008A0159	DR008L0159	3.66	DR008D0366
VFD11AMS23ANSAA VFD11AMS23ENSAA	11	22	1.152	DR011A0115	DR011L0115	2.662	DR011D0266
VFD17AMS23ANSAA VFD17AMS23ENSAA	17	34	0.746	DR017AP746	DR017LP746	1.722	DR017D0172
VFD25AMS23ANSAA VFD25AMS23ENSAA	25	50	0.507	DR025AP507	DR025LP507	1.172	DR025D0117
VFD33AMS23ANSAA VFD33AMS23ENSAA	33	66	0.32	DR033AP320	DR033LP320	0.851	DR033DP851
VFD49AMS23ANSAA VFD49AMS23ENSAA	46	92	0.216	DR049AP215	DR049LP215	0.574	DR049DP574
VFD65AMS23ANSAA VFD65AMS23ENSAA	65	130	0.163	DR065AP162	DR065LP162	0.432	DR065DP432

Table 7-4-6

460V, 50–60 Hz / Three-phase - Normal Duty

Model	Rated Current [Arms]	Saturation Current [Arms]	Input / Output Reactor [mH]	Input Reactor Delta Part #	Output Reactor Delta Part #	DC Reactor [mH]	DC Reactor Delta Part #
VFD1A5MS43ANSAA VFD1A5MS43ENSAA VFD1A5MS43AFSAA	1.8	2.7	8.102	DR003A0810	DR003L0810	18.709	DR003D1870
VFD2A7MS43ANSAA VFD2A7MS43ENSAA VFD2A7MS43AFSAA	3	4.5	6.077	DR004A0607	DR004L0607	18.709	DR003D1870
VFD4A2MS43AFSAA VFD4A2MS43ANSAA VFD4A2MS43ENSAA	4.6	6.9	4.05	DR006A0405	DR006L0405	14.031	DR004D1403
VFD5A5MS43AFSAA VFD5A5MS43ANSAA VFD5A5MS43ENSAA	6.5	9.75	2.7	DR009A0270	DR009L0270	9.355	DR006D0935
VFD9A0MS43AFSAA VFD9A0MS43ANSAA VFD9A0MS43ENSAA	10.5	15.75	2.315	DR010A0231	DR010L0231	5.345	DR010D0534

Model	Rated Current [Arms]	Saturation Current [Arms]	Input / Output Reactor [mH]	Input Reactor Delta Part #	Output Reactor Delta Part #	DC Reactor [mH]	DC Reactor Delta Part #
VFD13AMS43AFSAA VFD13AMS43ANSAA VFD13AMS43ENSAA	15.7	23.55	1.174	DR018A0117	DR018L0117	3.119	DR018D0311
VFD17AMS43AFSAA VFD17AMS43ANSAA VFD17AMS43ENSAA	20.5	30.75	0.881	DR024AP881	DR024LP881	3.119	DR018D0311
VFD25AMS43AFSAA VFD25AMS43ANSAA VFD25AMS43ENSAA	28	42	0.66	DR032AP660	DR032LP660	2.338	DR024D0233
VFD32AMS43AFSAA VFD32AMS43ANSAA VFD32AMS43ENSAA	36	54	0.639	DR038AP639	DR038LP639	1.754	DR032D0175
VFD38AMS43AFSAA VFD38AMS43ANSAA VFD38AMS43ENSAA	41.5	62.25	0.541	DR045AP541	DR045LP541	1.477	DR038D0147
VFD45AMS43AFSAA VFD45AMS43ANSAA VFD45AMS43ENSAA	49	73.5	0.405	DR060AP405	DR060LP405	1.247	DR045D0124

Table 7-4-7

460V, 50–60 Hz / Three-phase - Heavy Duty

Model	Rated Current [Arms]	Saturation Current [Arms]	Input / Output Reactor [mH]	Input Reactor Delta Part #	Output Reactor Delta Part #	DC Reactor [mH]	DC Reactor Delta Part #
VFD1A5MS43ANSAA VFD1A5MS43ENSAA VFD1A5MS43AFSAA	1.5	3	8.102	DR003A0810	DR003L0810	18.709	DR003D1870
VFD2A7MS43ANSAA VFD2A7MS43ENSAA VFD2A7MS43AFSAA	2.7	5.4	8.102	DR003A0810	DR003L0810	18.709	DR003D1870
VFD4A2MS43AFSAA VFD4A2MS43ANSAA VFD4A2MS43ENSAA	4.2	8.4	6.077	DR004A0607	DR004L0607	14.031	DR004D1403
VFD5A5MS43AFSAA VFD5A5MS43ANSAA VFD5A5MS43ENSAA	5.5	11	4.05	DR006A0405	DR006L0405	9.355	DR006D0935
VFD9A0MS43AFSAA VFD9A0MS43ANSAA VFD9A0MS43ENSAA	9	18	2.7	DR009A0270	DR009L0270	6.236	DR009D0623
VFD13AMS43AFSAA VFD13AMS43ANSAA VFD13AMS43ENSAA	13	26	1.174	DR018A0117	DR018L0117	4.677	DR012D0467
VFD17AMS43AFSAA VFD17AMS43ANSAA VFD17AMS43ENSAA	17	34	1.174	DR018A0117	DR018L0117	3.119	DR018D0311
VFD25AMS43AFSAA VFD25AMS43ANSAA VFD25AMS43ENSAA	25	50	0.881	DR024AP881	DR024LP881	2.338	DR024D0233
VFD32AMS43AFSAA VFD32AMS43ANSAA VFD32AMS43ENSAA	32	64	0.66	DR032AP660	DR032LP660	1.754	DR032D0175
VFD38AMS43AFSAA VFD38AMS43ANSAA VFD38AMS43ENSAA	38	76	0.639	DR038AP639	DR038LP639	1.477	DR038D0147

Model	Rated Current [Arms]	Saturation Current [Arms]	Input / Output Reactor [mH]	Input Reactor Delta Part #	Output Reactor Delta Part #	DC Reactor [mH]	DC Reactor Delta Part #
VFD45AMS43AFSAA VFD45AMS43ANSAA VFD45AMS43ENSAA	45	90	0.541	DR045AP541	DR045LP541	1.247	DR045D0124

Table 7-4-8

575V, 50–60 Hz / Three-phase - Normal Duty

Model	Rated Current [Arms]	Saturation Current [Arms]	AC Reactor [mH]	DC Reactor [mH]
VFD1A7MS53ANSAA	2.1	3.15	13.13	17.50
VFD3A0MS53ANSAA	3.6	5.4	7.66	10.21
VFD4A2MS53ANSAA	5	7.5	5.51	7.35
VFD6A6MS53ANSAA	8	12	3.45	4.59
VFD9A9MS53ANSAA	11.5	17.25	2.40	3.20
VFD12AMS53ANSAA	15	22.5	1.84	2.45

Table 7-4-9

575V, 50–60 Hz / Three-phase - Heavy Duty

Model	Rated Current [Arms]	Saturation Current [Arms]	AC Reactor [mH]	DC Reactor [mH]
VFD1A7MS53ANSAA	1.7	3.4	16.22	37.45
VFD3A0MS53ANSAA	3	6	9.19	21.22
VFD4A2MS53ANSAA	4.2	8.4	6.56	15.16
VFD6A6MS53ANSAA	6.6	13.2	4.18	9.65
VFD9A9MS53ANSAA	9.9	19.8	2.78	6.43
VFD12AMS53ANSAA	12.2	24.4	2.26	5.22

Table 7-4-10

The table below shows the THDi specification when using Delta's drives to work with AC/DC reactors.

Drive Spec.	Models without Built-in DC Reactors				Models with Built-in DC Reactors		
	No AC/DC Reactor	3% Input AC Reactor	5% Input AC Reactor	4% DC Reactor	No AC/DC Reactor	3% Input AC Reactor	5% Input AC Reactor
5th	73.3%	38.5%	30.8%	25.5%	31.16%	27.01%	25.5%
7th	52.74%	15.3%	9.4%	18.6%	23.18%	9.54%	8.75%
11th	7.28%	7.1%	6.13%	7.14%	8.6%	4.5%	4.2%
13th	0.4%	3.75%	3.15%	0.48%	7.9%	0.22%	0.17%
THDi	91%	43.6%	34.33%	38.2%	42.28%	30.5%	28.4%
Note	The THDi specification listed here assumes that there is 0.8% resistance (mains electricity) before the reactors and may be slightly different from the actual THDi, depending on the installation and environmental conditions (wires, motors).						

Table 7-4-11

Reactor Dimension and Specifications

AC Input Reactor

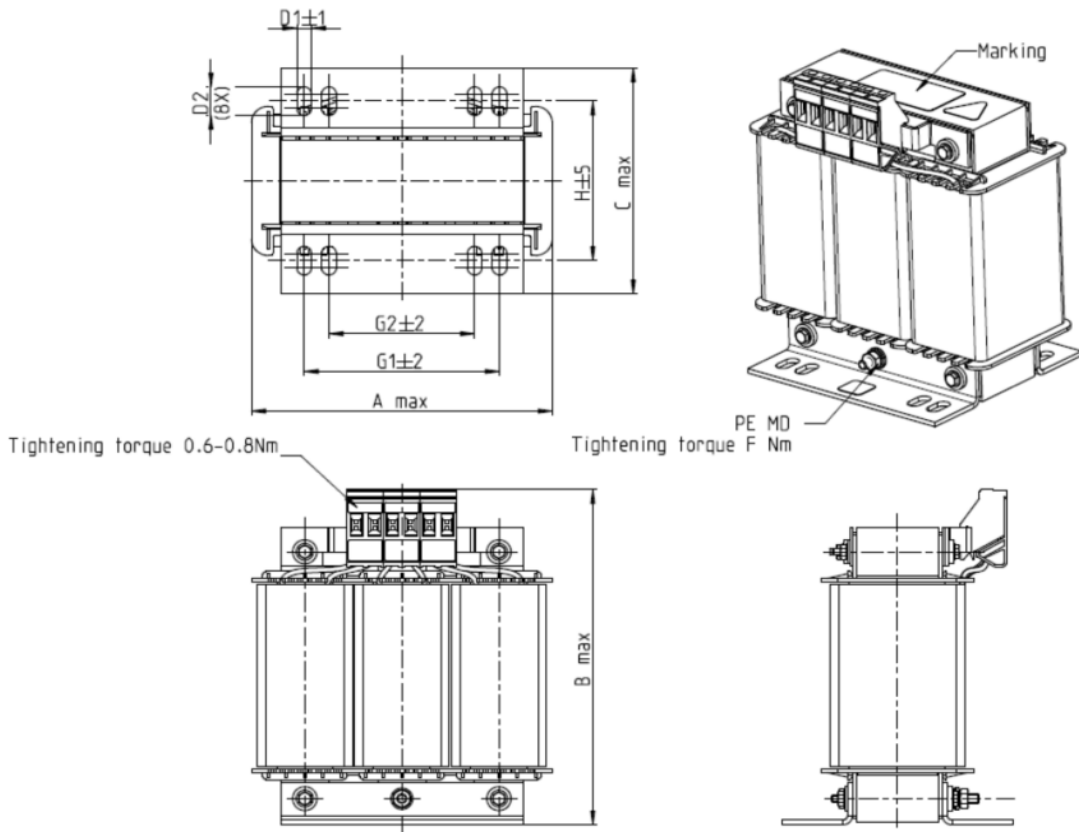


Figure 7-4-4

Unit: mm

AC Input Reactors Delta Part #	A	B	C	D1*D2	E	G1	G2	PE D
DR005A0254	100	115	65	6*9	45	60	40	M4
DR008A0159	100	115	65	6*9	45	60	40	M4
DR011A0115	130	135	95	6*12	60	80.5	60	M4
DR017AP746	130	135	100	6*12	65	80.5	60	M4

Table 7-4-12

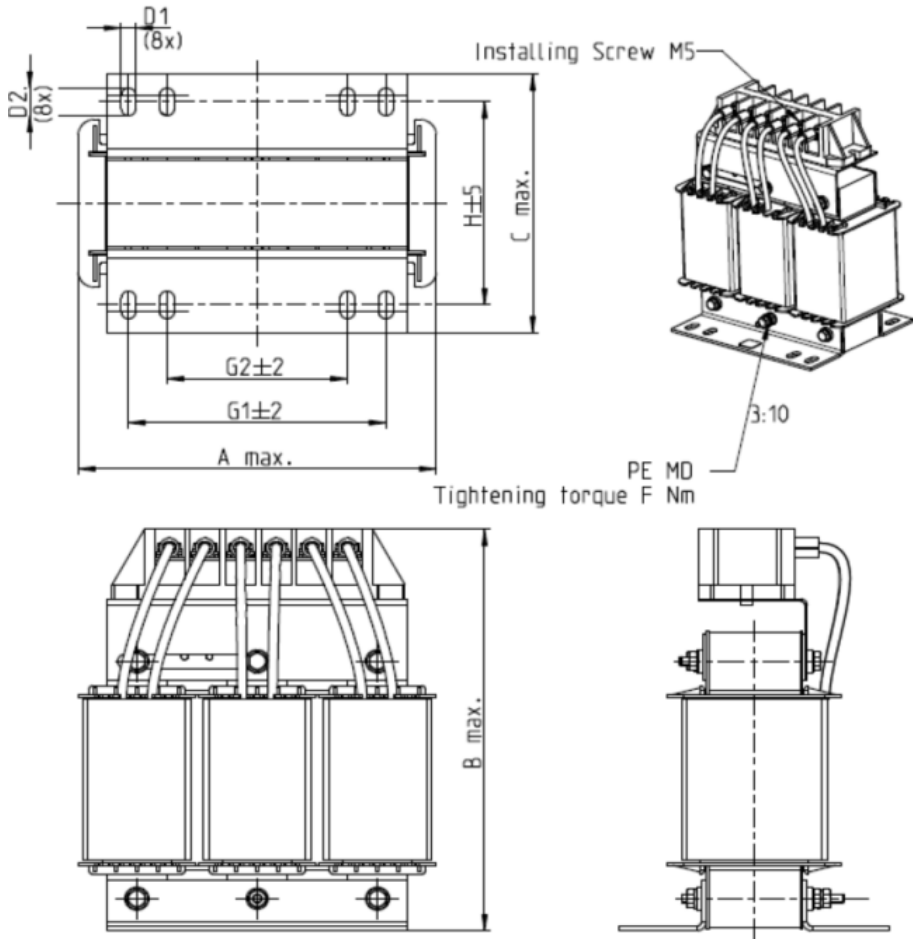


Figure 7-4-5

Unit: mm

AC Input Reactors Delta Part #	A	B	C	D1*D2	H	G1	G2	PE D
DR025AP215	130	195	100	6*12	65	80.5	60	M4
DR033AP163	130	195	100	6*12	65	80.5	60	M4
DR049AP163	160	200	125	6*12	90	107	75	M4

Table 7-4-13

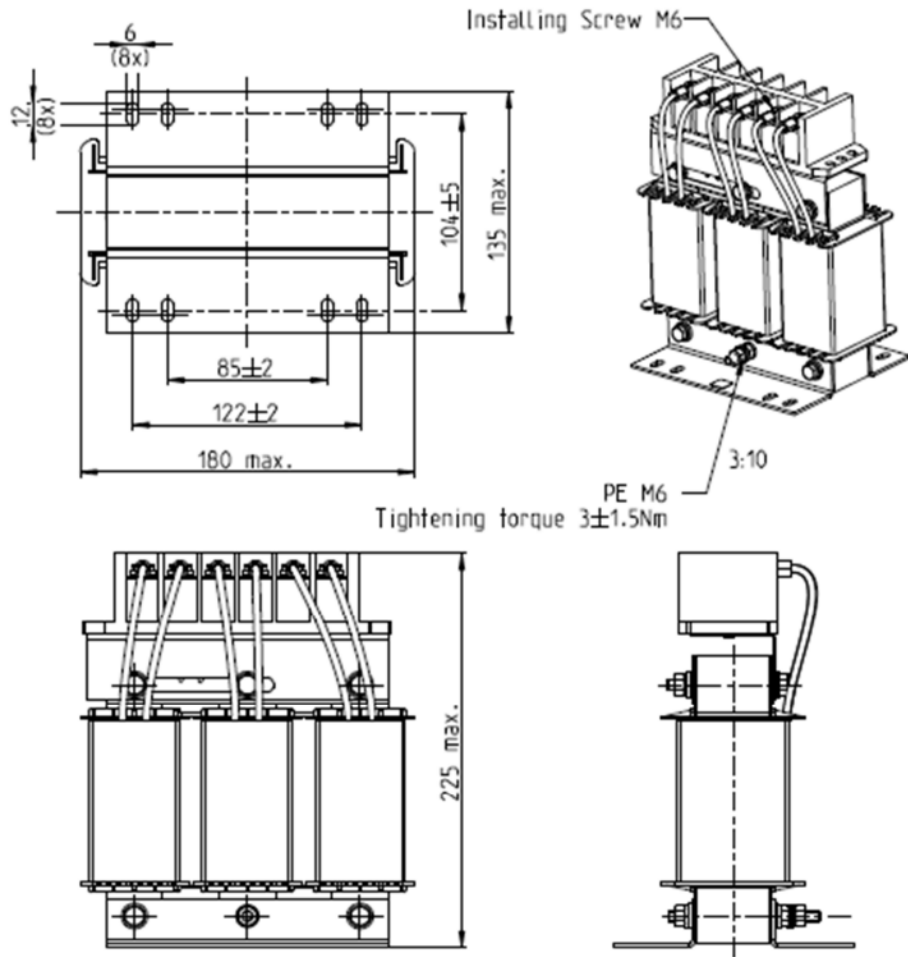


Figure 7-4-6

Unit: mm

AC Input Reactor Delta Part #	Dimensions are as shown in the figures above.
DR065AP162	

Table 7-4-14

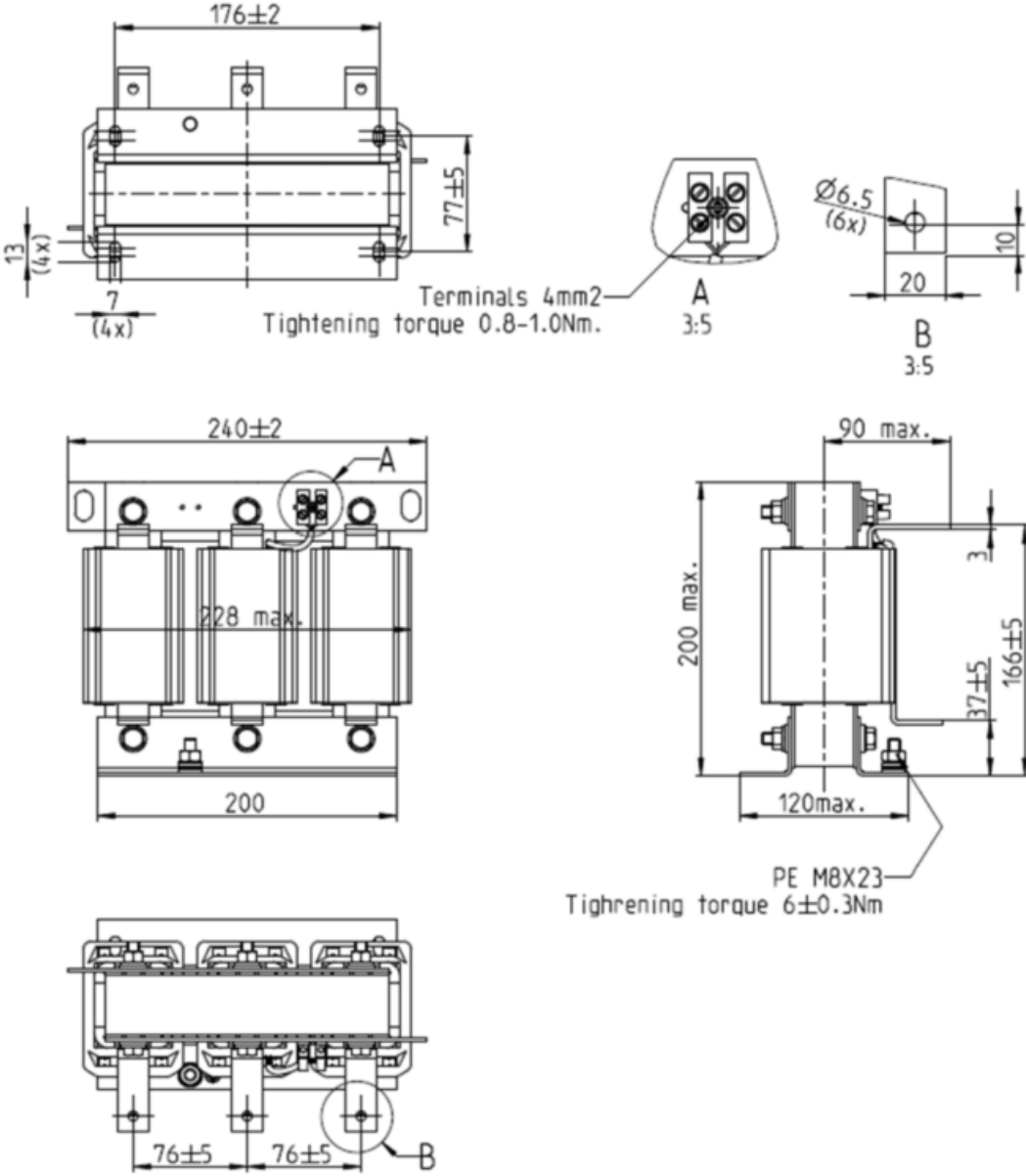


Figure 7-4-7

Unit: mm

AC Input Reactor Delta Part #	Dimensions are as shown in the figures above.
DR075AP170	

Table 7-4-15

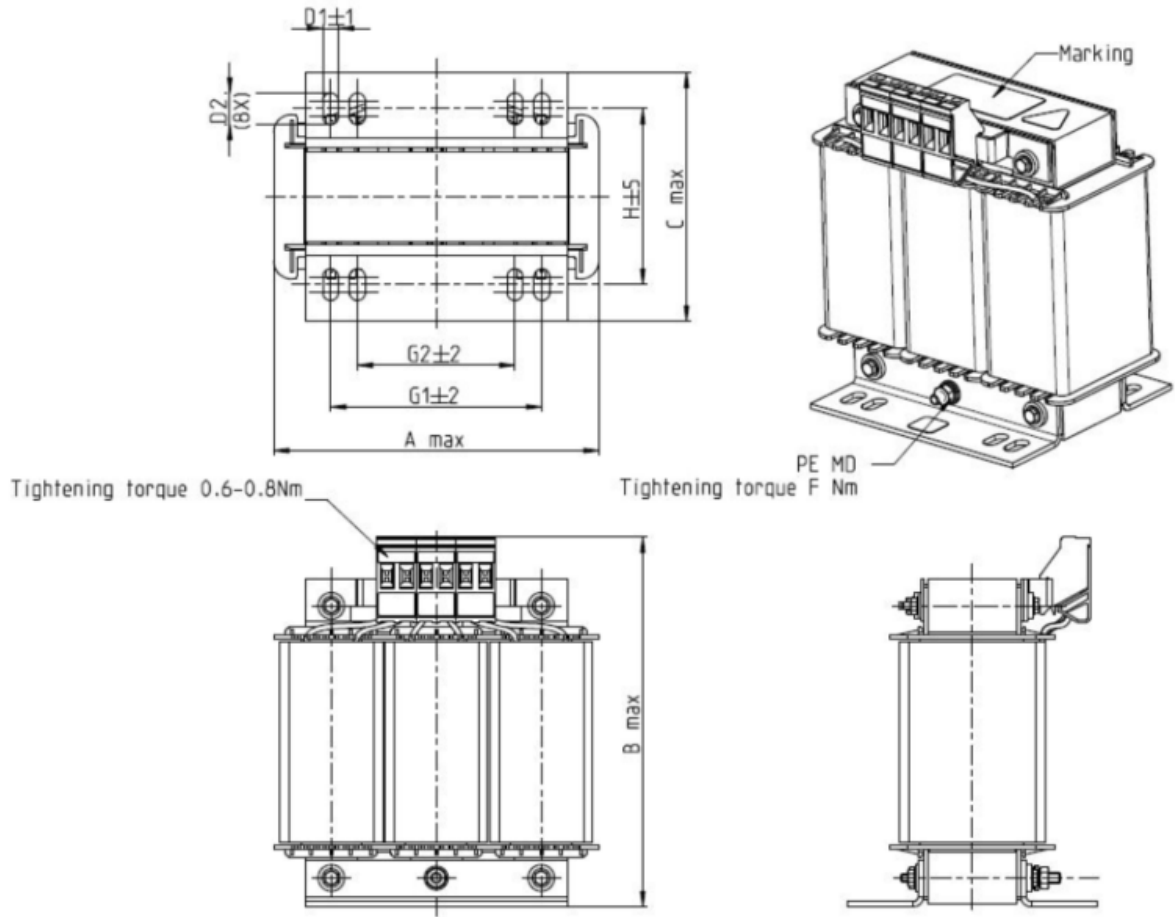


Figure 7-4-8

Unit: mm

AC Input Reactors Delta Part #	A	B	C	D1*D2	H	G1	G2	PE D
DR003A0810	100	125	65	6*9	43	60	40	M4
DR004A0607	100	125	65	6*9	43	60	40	M4
DR006A0405	130	15	95	6*12	60	80.5	60	M4
DR009A0270	160	160	105	6*12	75	107	75	M4
DR010A0231	160	160	115	6*12	90	107	75	M4
DR012A0202	160	160	115	6*12	90	107	75	M4
DR018A0117	160	160	115	6*12	90	107	75	M4

Table 7-4-16

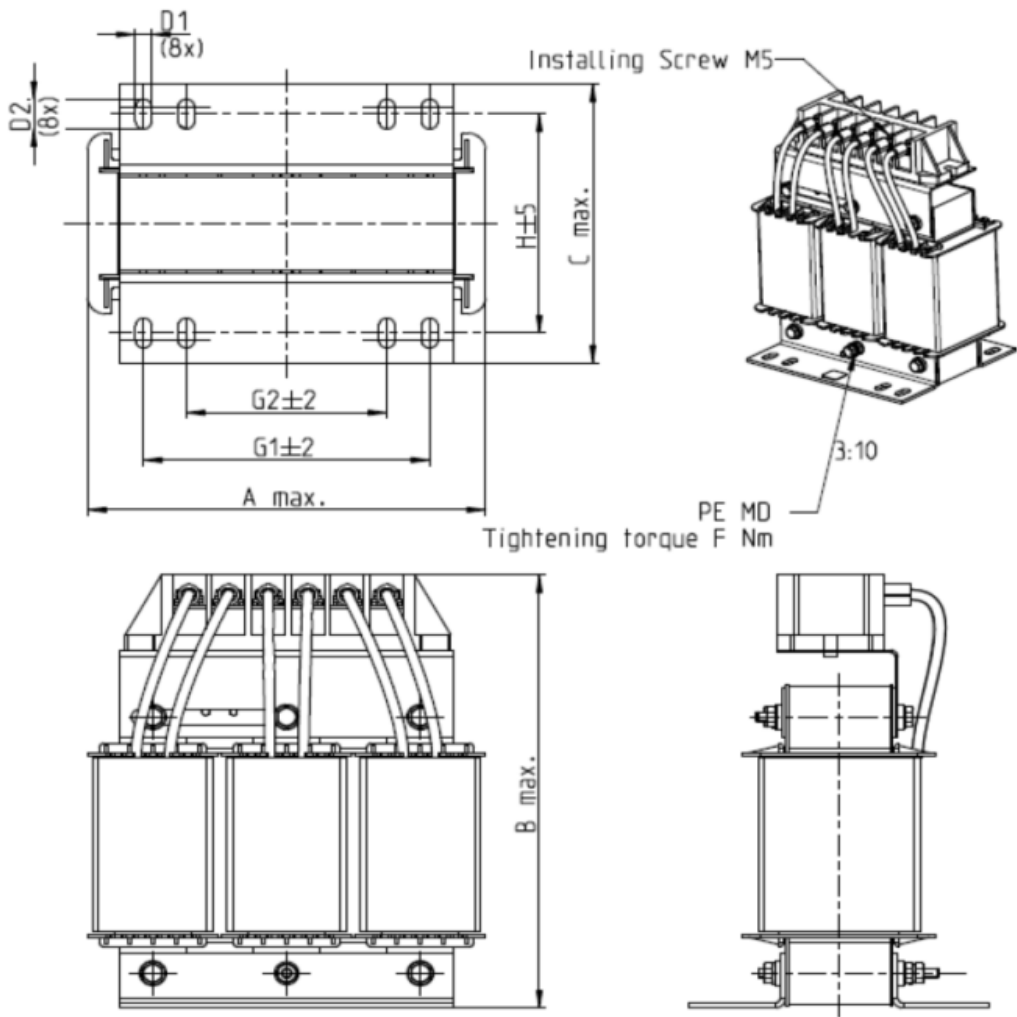


Figure 7-4-9

Unit: mm

AC Input Reactors Delta Part #	A	B	C	D1*D2	H	G1	G2	PE D
DR024AP881	160	175	115	6*12	90	107	75	M4
DR032AP660	195	200	145	6*12	115	122	85	M6
DR038AP639	190	200	145	6*12	115	122	85	M6
DR045AP541	190	200	145	6*12	115	122	85	M6

Table 7-4-17

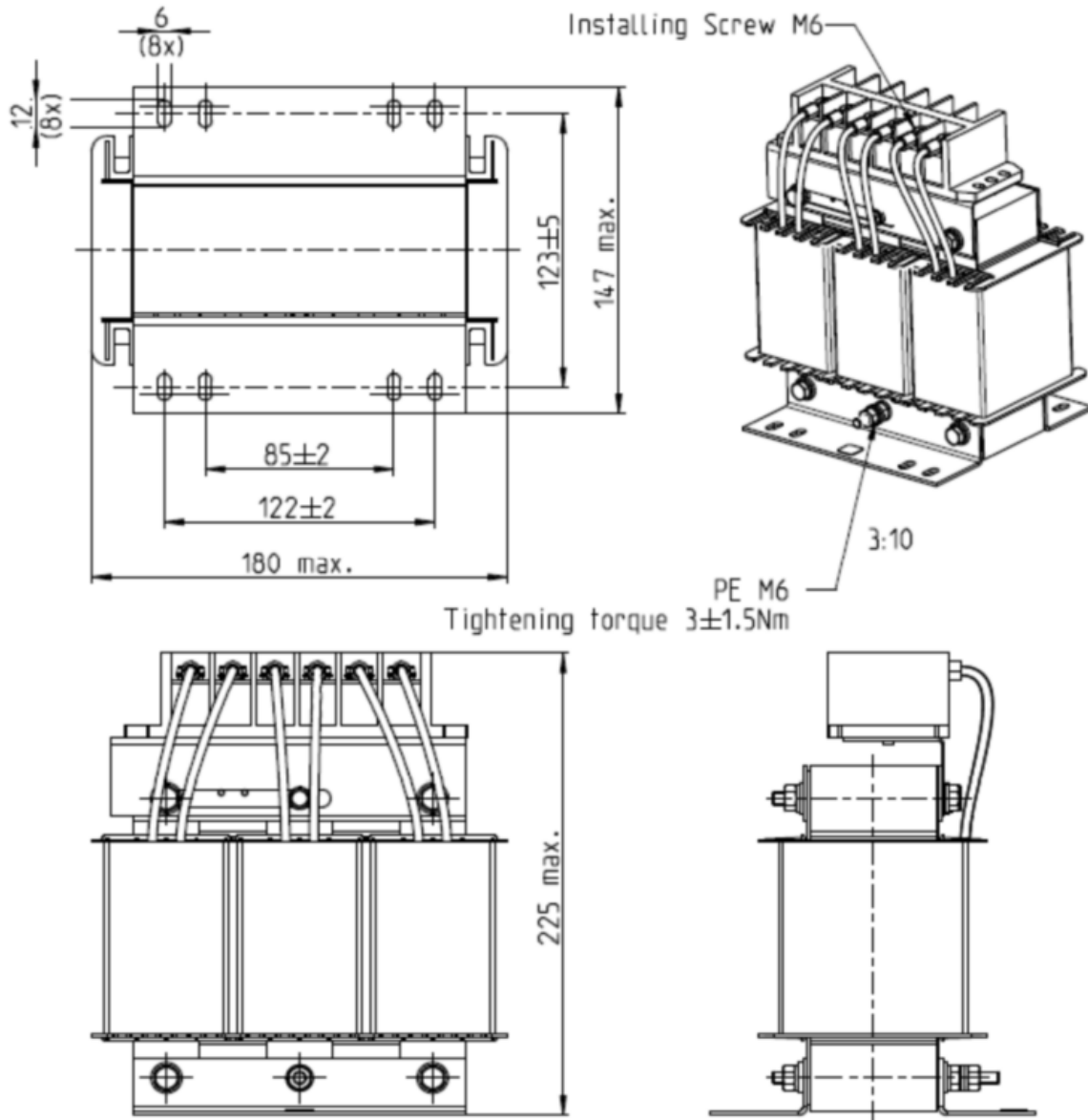


Figure 7-4-10

Unit: mm

AC Input Reactor Delta Part #	Dimensions are as shown in the figures above.
DR060AP405	

Table 7-4-18

AC Output Reactor

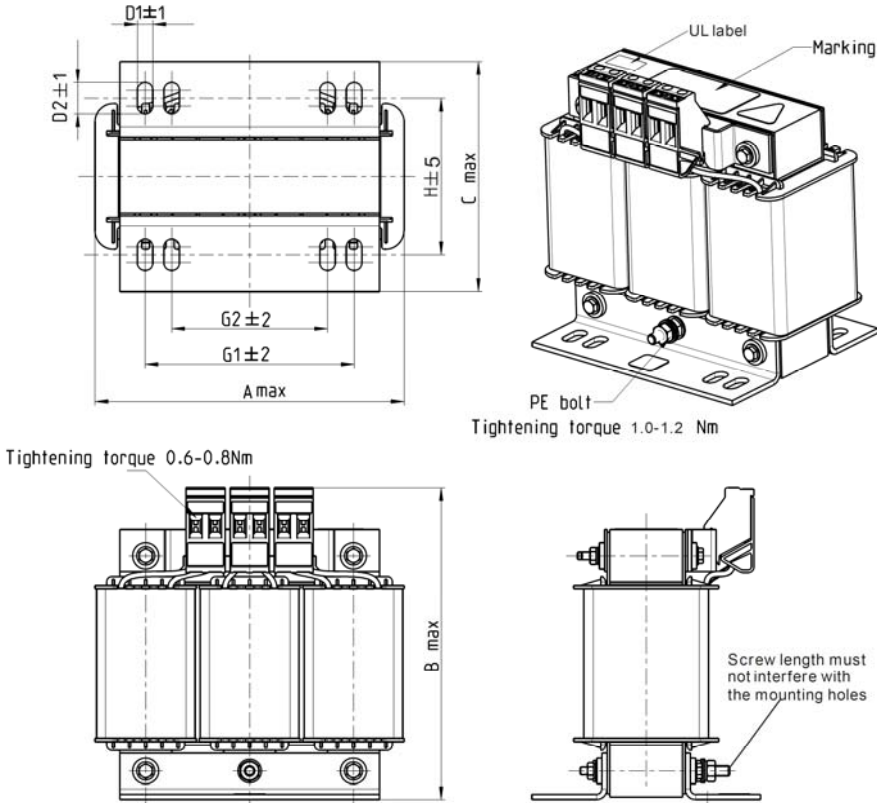


Figure 7-4-11

Unit: mm

AC Output Reactors Delta Part #	A	B	C	D1*D2	E	G1	G2	PE D
DR005L0254	96	110	70	6*9	42	60	40	M4
DR008L0159	120	135	96	6*12	60	80.5	60	M4
DR011L0115	120	135	96	6*12	60	80.5	60	M4
DR017LP746	120	135	105	6*12	65	80.5	60	M4
DR025LP507	150	160	120	6*12	88	107	75	M4
DR033LP320	150	160	120	6*12	88	107	75	M4

Table 7-4-19

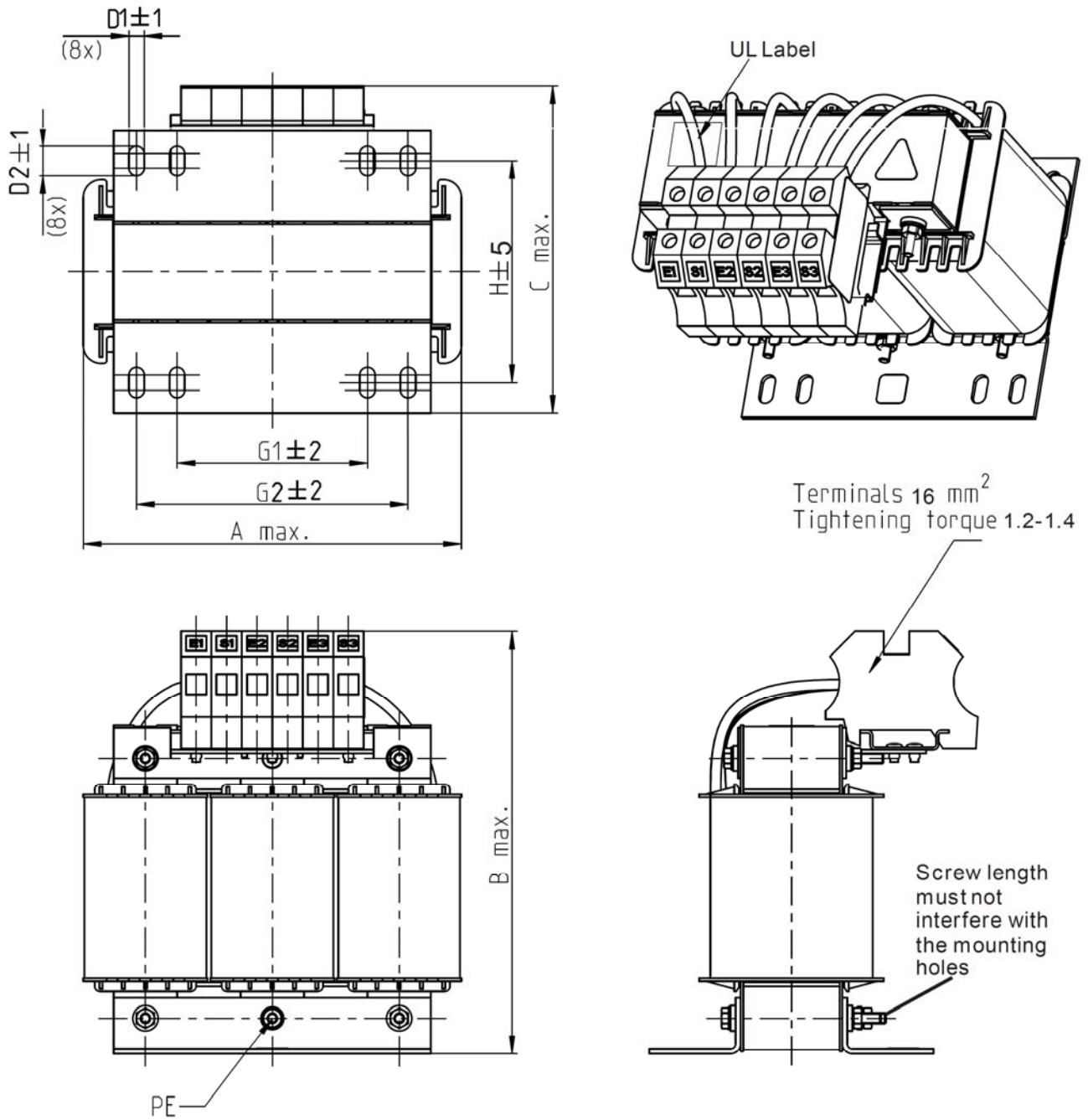


Figure 7-4-12

Unit: mm

AC Output Reactors Delta Part #	A	B	C	D1*D2	H	G	G1	Q	M	PE D
DR049LP215	180	205	175	6*12	115	85	122	16	1.2-1.4	M4
DR065LP162	180	215	185	6*12	115	85	122	35	2.5-3.0	M4

Table 7-4-20

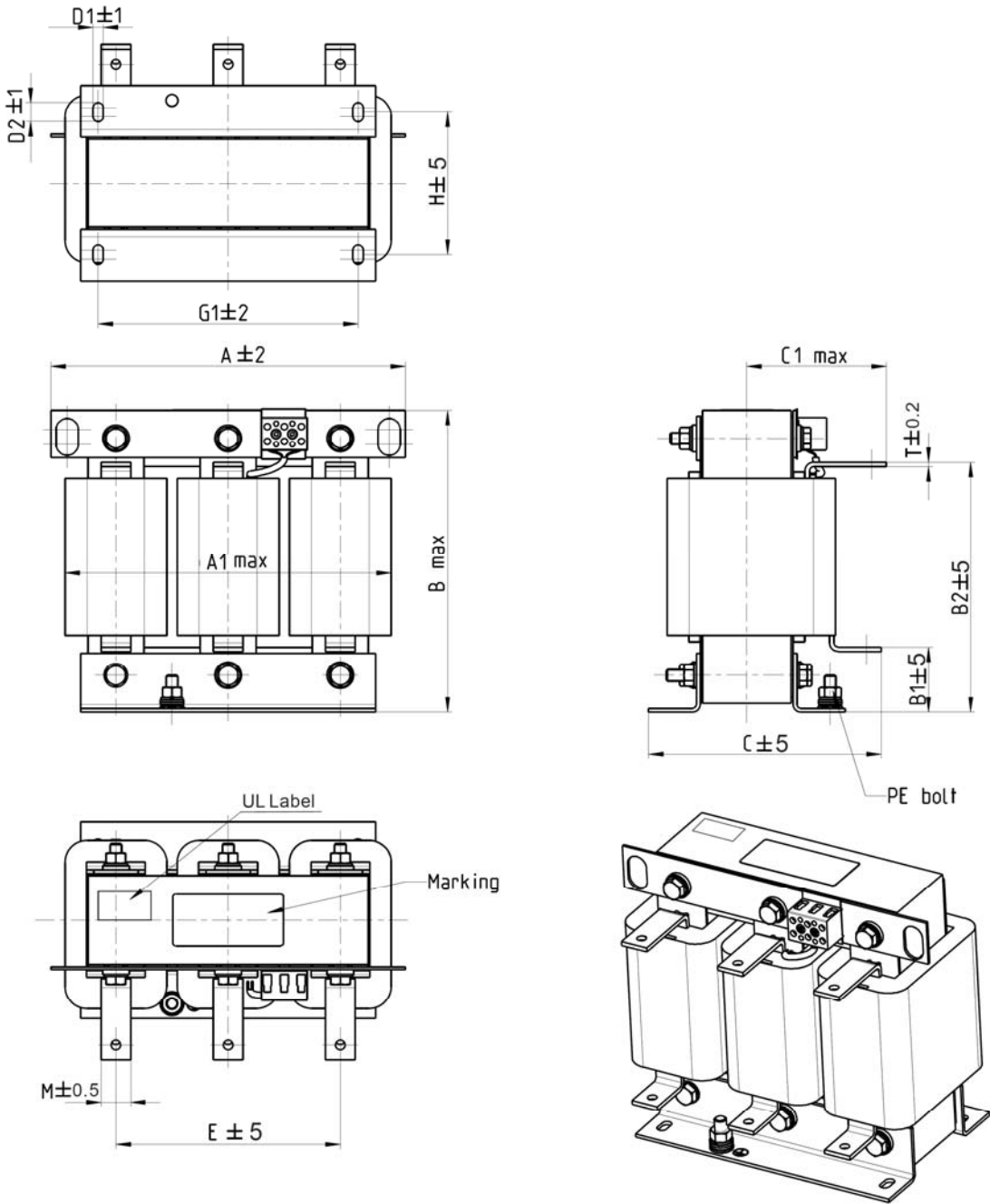


Figure 7-4-13

Unit: mm

AC Output Reactor Delta Part #	A	A1	B	B1	B2	C	C1	D1*D2	E	G1	H	M*T
DR049LP215	240	228	215	44	170	151	100	7*13	152	176	85	20*3

Table 7-4-21

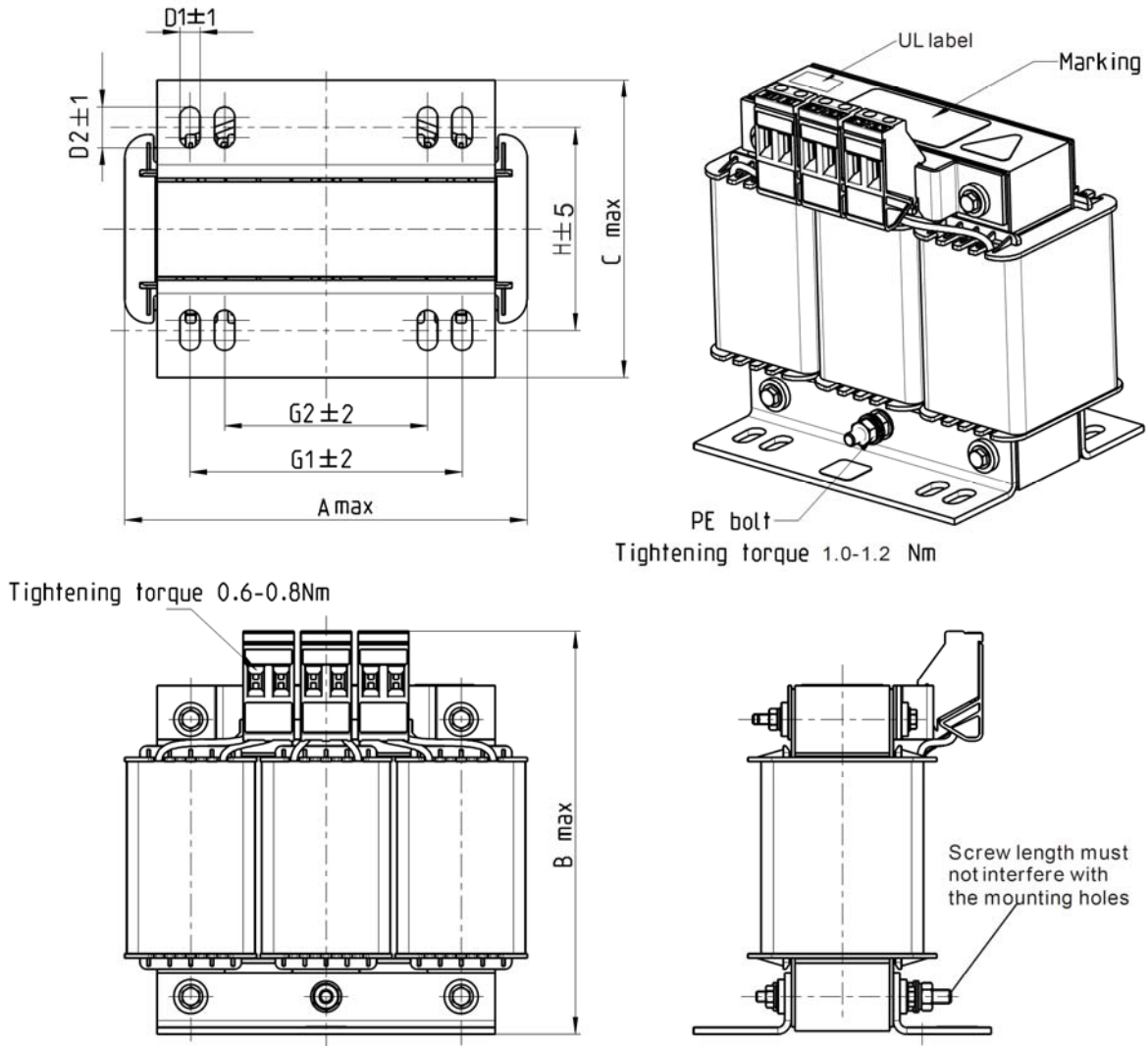


Figure 7-4-14

Unit: mm

AC Output Reactors Delta Part #	A	B	C	D1*D2	H	G1	G2	PE D
DR003L0810	96	115	65	6*9	42	60	40	M4
DR004L0607	120	135	95	6*12	60	80.5	60	M4
DR006L0405	120	135	95	6*12	60	80.5	60	M4
DR009L0270	150	160	100	6*12	74	107	75	M4
DR010L0231	150	160	115	6*12	88	107	75	M4
DR012L0202	150	160	115	6*12	88	107	75	M4
DR018L0117	150	160	115	6*12	88	107	75	M4
DR024LP881	150	160	115	6*12	88	107	75	M4
DR032LP660	180	190	145	6*12	114	122	85	M6

Table 7-4-22

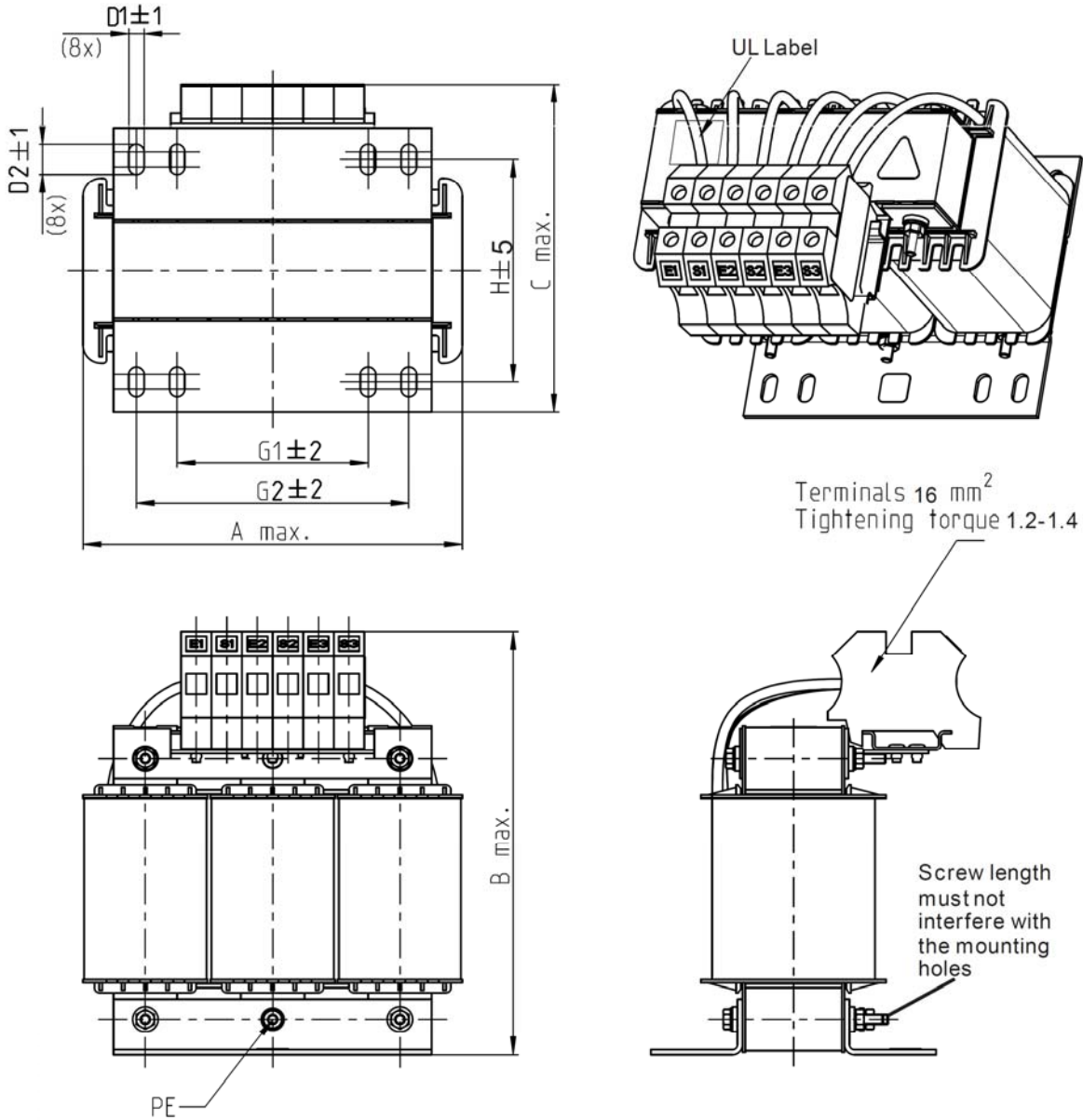


Figure 7-4-15

Unit: mm

AC Output Reactors Delta Part #	A	B	C	D1*D2	H	G1	G2	PE D
DR038LP639	180	205	170	6*12	115	85	122	M4
DR045LP541	235	245	155	7*13	85	/	176	M6

Table 7-4-23

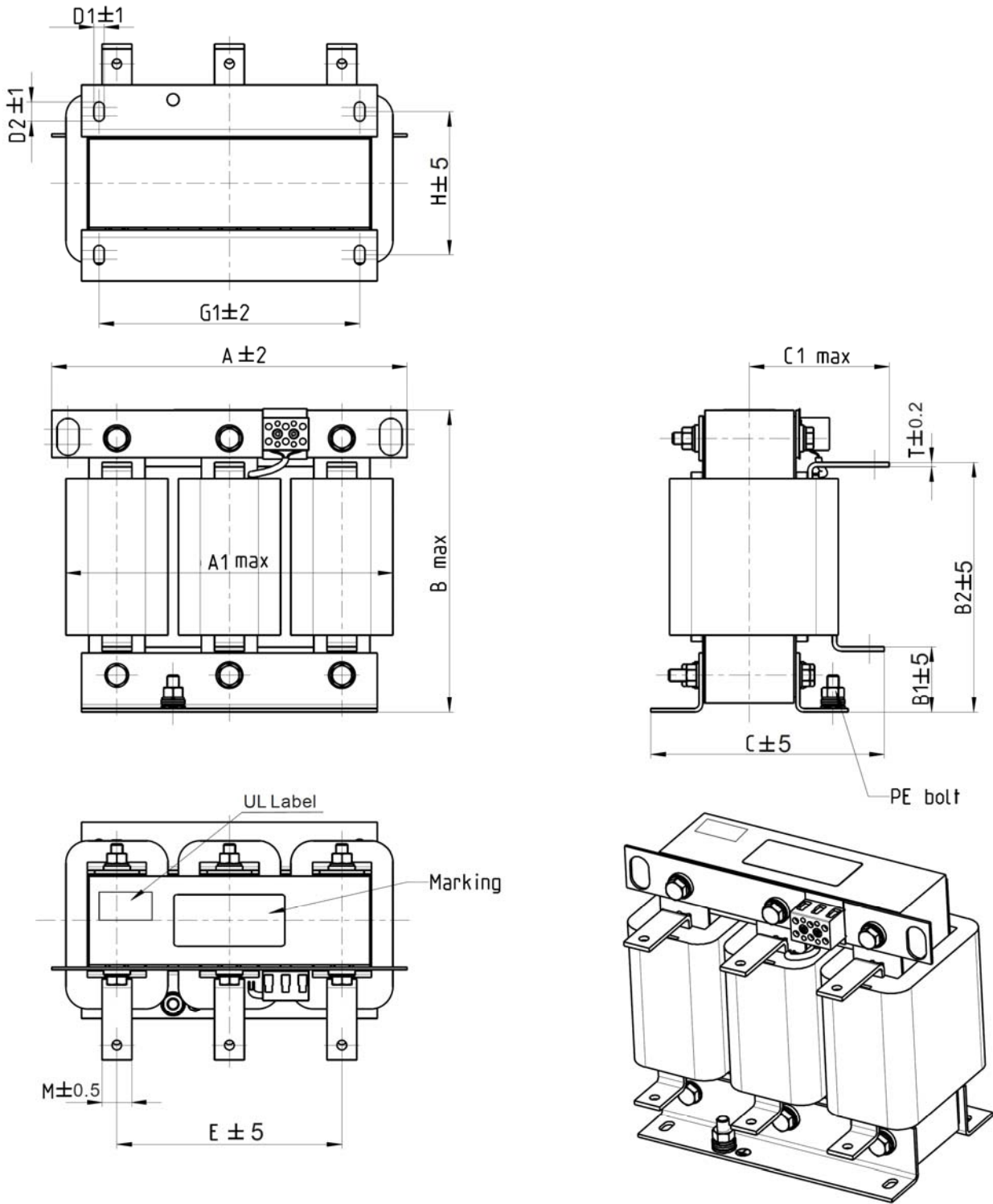


Figure 7-4-16

Unit: mm

AC Output Reactors Delta Part #	A	A1	B	B1	B2	C	C1	D1*D2	E	G1	H	M*T
DR060LP405	240	228	215	44	170	163	110	7*13	152	176	97	20*3
DR073LP334	250	235	235	44	186	174	115	11*18	160	190	124	20*3
DR091LP267	250	240	235	44	186	174	115	11*18	160	190	124	20*3
DR110LP221	270	260	245	50	192	175	115	10*18	176	200	106	20*3

Table 7-4-24

DC Reactor

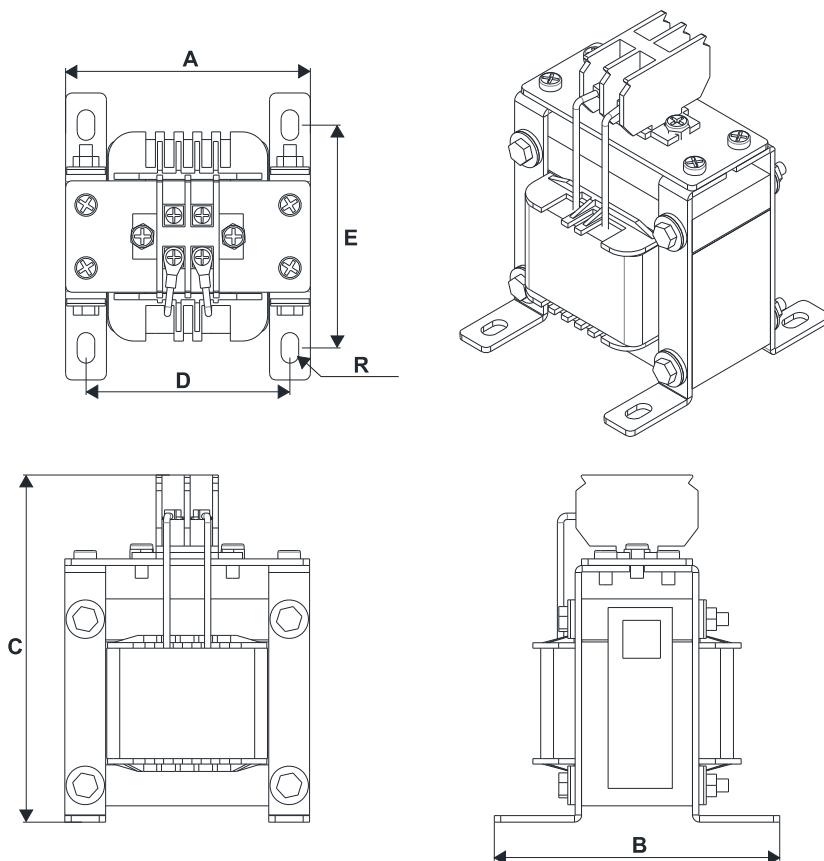


Figure 7-4-17

DC Reactors Delta Part #	Rated Current [Arms]	Saturation Current [Arms]	DC Reactors [mH]	A [mm]	B [mm]	C [mm]	D [mm]	E [mm]	R [mm]
DR005D0585	5	8.64	5.857	79	78	112	64±2	56±2	9.5*5.5
DR008D0366	8	12.78	3.660	79	78	112	64±2	56±2	9.5*5.5
DR011D0266	11	18	2.662	79	92	112	64±2	69.5±2	9.5*5.5
DR017D0172	17	28.8	1.722	79	112	112	64±2	89.5±2	9.5*5.5
DR025D0117	25	43.2	1.172	99	105	128	79±2	82.5±2	9.5*5.5
DR033DP851	33	55.8	0.851	117	110	156	95±2	87±2	10*6.5
DR049DP574	49	84.6	0.574	117	120	157	95±2	97±2	10*6.5
DR065DP432	65	111.6	0.432	117	140	157	95±2	116.5±2	10*6.5
DR003D1870	3	5.22	18.709	79	78	112	64±2	56±2	9.5*5.5
DR004D1403	4	6.84	14.031	79	92	112	64±2	69.5±2	9.5*5.5
DR006D0935	6	10.26	9.355	79	92	112	64±2	69.5±2	9.5*5.5
DR009D0623	9	14.58	6.236	79	112	112	64±2	89.5±2	9.5*5.5
DR010D0534	10.5	17.1	5.345	99	93	128	79±2	70±2	9.5*5.5
DR012D0467	12	19.8	4.677	99	105	128	79±2	82.5±2	9.5*5.5
DR018D0311	18	30.6	3.119	117	110	144	95±2	87±2	10*6.5
DR024D0233	24	41.4	2.338	117	120	144	95±2	97±2	10*6.5
DR032D0175	32	54	1.754	117	140	157	95±2	116.5±2	10*6.5
DR038D0147	38	64.8	1.477	136	135	172	111±2	112±2	10*6.5
DR045D0124	45	77.4	1.247	136	135	173	111±2	112±2	10*6.5

Table 7-4-25

The Motor Cable Length

1. Consequence of leakage current on the motor

If the cable length is too long, the stray capacitance between cables increases and may cause leakage current. In this case, It activates the over-current protection, increases leakage current, or may affect the current display. The worst case is that it may damage the AC motor drive. If more than one motor is connected to one AC motor drive, the total wiring length should be the sum of the wiring length from AC motor drive to each motor.

For the 460V series AC motor drive, when you install an overload thermal relay between the drive and the motor to protect the motor from overheating, the connecting cable must be shorter than 50 m; however, an overload thermal relay malfunction may still occur. To prevent the malfunction, install an output reactor (optional) to the drive or lower the carrier frequency setting (see Pr.00-17 Carrier Frequency).

2. Consequence of the surge voltage on the motor

When a motor is driven by a PWM-type AC motor drive, the motor terminals experience surge voltages (dv/dt) due to power transistor conversion of AC motor drive. When the motor cable is very long (especially for the 460V series), surge voltages (dv/dt) may damage the motor insulation and bearing. To prevent this, follow these rules:

- a. Use a motor with enhanced insulation.
- b. Reduce the cable length between the AC motor drive and motor to suggested values.
- c. Connect an output reactor (optional) to the output terminals of the AC motor drive.

Refer to the following tables for the suggested motor shielded cable length. For drive models < 480V, use a motor with a rated voltage $\leq 500 V_{AC}$ and an insulation level $\geq 1.35 kV_{p-p}$ in accordance with IEC 60034-17. For the 575V drive model, use a motor with a rated voltage $\leq 600 V_{AC}$ and an insulation level $\geq 1.79 kV_{p-p}$ in accordance with IEC 60034-25.

110V One-phase Drive Model	Normal Duty Rated Current [Arms]	Without an AC Output Reactor		With an AC Output Reactor	
		Shielded Cable [meter]	Non-shielded Cable [meter]	Shielded Cable [meter]	Non-shielded Cable [meter]
VFD1A6MS11ANSAA VFD1A6MS11ENSAA	1.8	50	75	75	115
VFD2A5MS11ANSAA VFD2A5MS11ENSAA	2.7				
VFD4A8MS11ANSAA VFD4A8MS11ENSAA	5.5				

Table 7-4-26

230V One-phase Drive Model	Normal Duty Rated Current [Arms]	Without an AC Output Reactor		With an AC Output Reactor	
		Shielded Cable [meter]	Non-shielded Cable [meter]	Shielded Cable [meter]	Non-shielded Cable [meter]
VFD1A6MS21ANSAA VFD1A6MS21ENSAA VFD1A6MS21AFSAA	1.8	50	75	75	115
VFD2A8MS21ANSAA VFD2A8MS21ENSAA VFD2A8MS21AFSAA	3.2				

230V One-phase Drive Model	Normal Duty Rated Current [Arms]	Without an AC Output Reactor		With an AC Output Reactor	
		Shielded Cable [meter]	Non-shielded Cable [meter]	Shielded Cable [meter]	Non-shielded Cable [meter]
VFD4A8MS21ANSAA VFD4A8MS21ENSAA VFD4A8MS21AFSAA	5				
VFD7A5MS21ANSAA VFD7A5MS21ENSAA VFD7A5MS21AFSAA	8.5	50	75	75	115
VFD11AMS21ANSAA VFD11AMS21ENSAA VFD11AMS21AFSAA	12.5				

Table 7-4-27

230V Three-phase Drive Model	Normal Duty Rated Current [Arms]	Without an AC Output Reactor		With an AC Output Reactor	
		Shielded Cable [meter]	Non-shielded Cable [meter]	Shielded Cable [meter]	Non-shielded Cable [meter]
VFD1A6MS23ANSAA VFD1A6MS23ENSAA	1.8				
VFD2A8MS23ANSAA VFD2A8MS23ENSAA	3.2				
VFD4A8MS23ANSAA VFD4A8MS23ENSAA	5				
VFD7A5MS23ANSAA VFD7A5MS23ENSAA	8	50	75	75	115
VFD11AMS23ANSAA VFD11AMS23ENSAA	12.5				
VFD17AMS23ANSAA VFD17AMS23ENSAA	19.5				
VFD25AMS23ANSAA VFD25AMS23ENSAA	27				
VFD33AMS23ANSAA VFD33AMS23ENSAA	36				
VFD49AMS23ANSAA VFD49AMS23ENSAA	51	100	150	150	225
VFD65AMS23ANSAA VFD65AMS23ENSAA	69				

Table 7-4-28

460V Three-phase Drive Model	Normal Duty Rated Current [Arms]	Without an AC Output Reactor		With an AC Output Reactor	
		Shielded Cable [meter]	Non-shielded Cable [meter]	Shielded Cable [meter]	Non-shielded Cable [meter]
VFD1A5MS43ANSAA VFD1A5MS43ENSAA VFD1A5MS43AFSAA	1.8				
VFD2A7MS43ANSAA VFD2A7MS43ENSAA VFD2A7MS43AFSAA	3	35	50	50	90
VFD4A2MS43ANSAA VFD4A2MS43ENSAA VFD4A2MS43AFSAA	4.6				
VFD5A5MS43ANSAA VFD5A5MS43ENSAA VFD5A5MS43AFSAA	6.5	50	75	75	115

460V Three-phase Drive Model	Normal Duty Rated Current [Arms]	Without an AC Output Reactor		With an AC Output Reactor	
		Shielded Cable [meter]	Non-shielded Cable [meter]	Shielded Cable [meter]	Non-shielded Cable [meter]
VFD9A0MS43ANSAA VFD9A0MS43ENSAA VFD9A0MS43AFSAA	10.5	50	75	75	15
VFD13AMS43ANSAA VFD13AMS43ENSAA VFD13AMS43AFSAA	15.7				
VFD17AMS43ANSAA VFD17AMS43ENSAA VFD17AMS43AFSAA	20.5	100	150	150	225
VFD25AMS43ANSAA VFD25AMS43ENSAA VFD25AMS43AFSAA	28				
VFD32AMS43ANSAA VFD32AMS43ENSAA VFD32AMS43AFSAA	36				
VFD38AMS43ANSAA VFD38AMS43ENSAA VFD38AMS43AFSAA	41.5				
VFD45AMS43ANSAA VFD45AMS43ENSAA VFD45AMS43AFSAA	49				

Table 7-4-29

575V Three-phase Drive Model	Normal Duty Rated Current [Arms]	Without an AC Output Reactor* ¹		With an AC Output Reactor	
		Shielded Cable [meter]	Non-shielded Cable [meter]	Shielded Cable [meter]	Non-shielded Cable [meter]
VFD1A7MS53ANSAA	2.1	15	55	N/A	N/A
VFD3A0MS53ANSAA	3.6	50	80		
VFD4A2MS53ANSAA	5	65	120		
VFD6A6MS53ANSAA	8.5		295		
VFD9A9MS53ANSAA	11.5	145	320		
VFD12AMS53ANSAA	15				

Table 7-4-30

*¹ Without an AC output reactor: Use the motor cable length of the 575V drive model only for 4 kHz carrier frequency (Pr.00-17=4). If you use it for > 4 kHz carrier frequency, you may need to reduce the motor cable length to prevent over-current protection caused by large leakage current, depending on the actual on-site situations.

7-5 Zero Phase Reactors

You can also suppress interference by installing a zero phase reactor at the main input or the motor output of the drive, depending on the location of the interference. Delta provides two types of zero phase reactors to solve interference problems.

A. Casing with mechanical fixed part

Used for the zero phase reactor at the main input/motor output. It withstands large current load and is used for high frequencies. You can get higher impedance by increasing the number of turns.

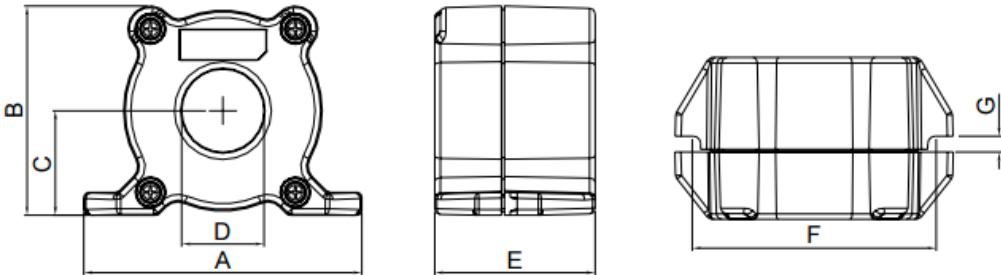


Figure 7-5-1

Unit: mm

Model	A	B	C	D	E	F	G(Ø)	To use w/
RF008X00A	99	73	36.5	29	56.5	86	5.5	Motor cable

Table 7-5-1

B. Casing without mechanical fixed part

Adopts nanocrystalline core developed by VAC®, and has high initial permeability, high saturation induction density, low iron loss and perfect temperature characteristic. If the zero phase reactor does not need to be fixed mechanically, use this solution.

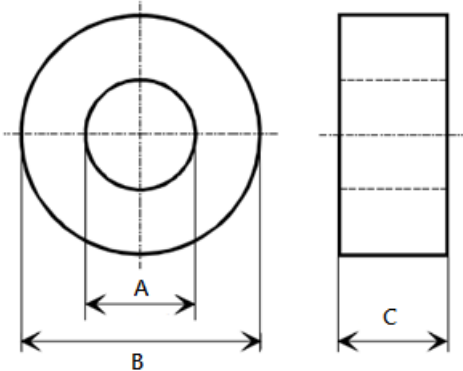


Figure 7-5-2

Unit: mm

Model	A	B	C
T60006L2040W453	22.5	43.1	18.5
T60006L2050W565	36.3	53.5	23.4

Table 7-5-2

Installation

During installation, pass the cable through at least one zero phase reactor. Use a suitable cable type (pressure endurance, current endurance, insulation class, and wire gauge) so that the cable passes easily through the zero phase reactor. Do not pass the grounding cable through the zero phase reactor; only pass the motor wire and power cable through the zero phase reactor. With longer motor cables the zero-phase reactor can effectively reduce interference at the motor output. Moreover, pay extra attention to the large leakage current due to long cable length. This may cause temperature rise in the zero phase reactor. Install the zero phase reactor as close to the output of the drive as possible. Figure 7-5-3 below shows the installation diagram for a single turn zero phase reactor. If the wire diameter allows several turns, Figure 7-5-4 shows the installation of a multi-turn zero phase reactor. The more turns, the better the noise suppression effect.

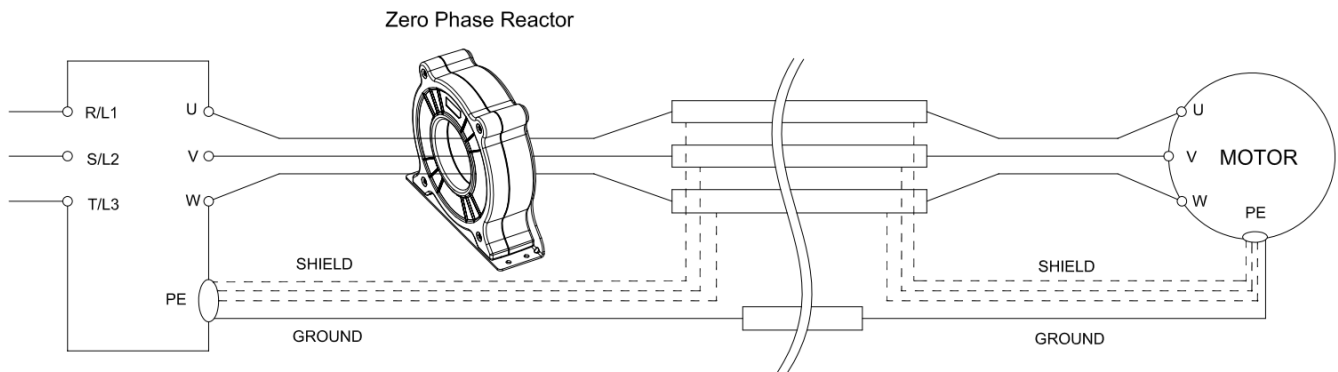


Figure 7-5-3 Single turn wiring diagram for shielding wire with a zero phase reactor

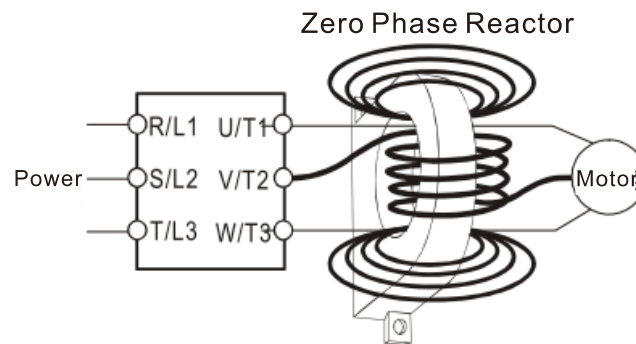


Figure 7-5-4 Multi-turn zero phase reactor

Installation Precaution

Install the zero phase reactor at the drive's output terminal (U/T1, V/T2, W/T3). After the zero phase reactor is installed, it reduces the electromagnetic radiation and load stress emitted by the wiring of the drive. The number of zero phase reactors required for the drive depends on the wiring length and the drive voltage.

The normal operating temperature of the zero phase reactor should be lower than 85°C (176°F). However, when the zero phase reactor is saturated, its temperature may exceed 85°C (176°F). In this case, increase the number of zero phase reactors to avoid saturation. The following are reasons that might cause saturation of the zero phase reactors: the drive wiring is too long; the drive has several sets of loads; the wiring is in parallel; or the drive uses high capacitance wiring. If the temperature of the zero phase reactor exceeds 85°C (176°F) during the operation of the drive, increase the number of zero phase reactors.

Recommended maximum wiring gauge when installing a zero phase reactor

Zero Phase Reactor Model No.	Max. Wire Gauge or LUG width	Max. Wire Gauge AWG (1Cx3)		Max. Wire Gauge AWG (4Cx1)	
		75°C	90°C	75°C	90°C
RF008X00A	13 mm	3 AWG	1 AWG	3 AWG	1 AWG
T600006L2040W453	11 mm	9 AWG	4 AWG	6 AWG	6 AWG
T600006L2050W565	16 mm	1 AWG	2/0 AWG	1 AWG	1/0 AWG

Table 7-5-3

Zero Phase Reactor for Signal Cable

To solve interference problems between signal cables and electrical equipment, install a zero phase reactor on the signal cable. Refer to the table below for models and dimensions. Installing a zero phase reactor on the signal cable at the source of the interference suppresses the interference and noise between signal cables.

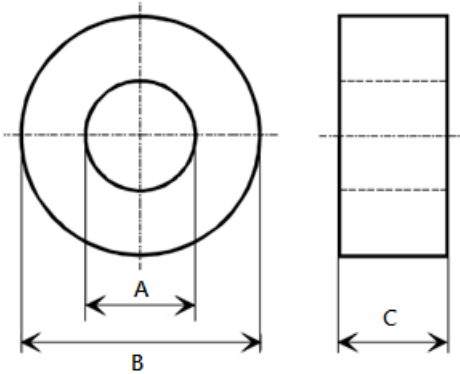


Figure 7-5-5

Model	A	B	Unit: mm
			C
T60004L2016W620	10.7	17.8	8.0
T60004L2025W622	17.5	27.3	12.3

Table 7-5-4

7-6 EMC Filter

Use EMC filters to enhance the EMC performance for the environment and machines and to comply with EMC regulations, further reducing EMC problems. If you purchase a motor drive without a built-in EMC filter, it is recommended that you select the EMC filters as shown below. For some motor drive models, you need to work with zero phase reactors to be compliant with EMC regulations. Refer to the table and figure below for the recommended model, setting method, and maximum motor cable length of the EMC filter and zero phase reactor.

Frame	Motor Drive Model #	Input Current (A)	Filter Model #	Recommended Model of Zero Phase Reactors		Conducted Emission Maximum Motor Cable Length				Radiated Emission Maximum Motor Cable Length						
						C1 30 m		C2 100 m		C2 100 m						
				Position to install a zero phase reactor										*1	*2	*3
				DELTA	VAC [®]	*1	*2	*3	N/A	*1	*2	*3				
A	VFD1A6MS11ANSAA	6.8	EMF11AM21A	RF008X00A	T60006L2040W453				NA							
A	VFD1A6MS21ANSAA	3.8	EMF11AM21A	RF008X00A	T60006L2040W453		✓	✓	NA		✓	✓				
A	VFD2A8MS21ANSAA	6.7	EMF11AM21A	RF008X00A	T60006L2040W453		✓	✓	NA		✓	✓				
A	VFD1A6MS23ANSAA	2.2	EMF10AM23A	RF008X00A	T60006L2040W453		✓	✓	NA		✓	✓				
A	VFD2A8MS23ANSAA	3.8	EMF10AM23A	RF008X00A	T60006L2040W453		✓	✓	NA		✓	✓				
A	VFD4A8MS23ANSAA	6	EMF10AM23A	RF008X00A	T60006L2040W453		✓	✓	NA		✓	✓				
A	VFD1A5MS43ANSAA	2.5	EMF6A0M43A	RF008X00A	T60006L2040W453			✓	NA			✓				
A	VFD2A7MS43ANSAA	4.2	EMF6A0M43A	RF008X00A	T60006L2040W453			✓	NA			✓				
A	VFD1A7MS53ANSAA	2.4	EMF6A0M63B	RF008X00A	T60006L2040W453				NA*							
A	VFD2A5MS11ANSAA	10.1	EMF11AM21A	RF008X00A	T60006L2040W453				NA							
B	VFD4A8MS21ANSAA	10.5	EMF11AM21A	RF008X00A	T60006L2040W453		✓	✓	NA		✓	✓				
B	VFD7A5MS23ANSAA	9.6	EMF10AM23A	RF008X00A	T60006L2040W453		✓	✓	NA		✓	✓				
B	VFD3A0MS53ANSAA	4.2	EMF6A0M63B	RF008X00A	T60006L2040W453				NA*							
B	VFD4A2MS43ANSAA	6.4	EMF6A0M43A	RF008X00A	T60006L2040W453			✓	NA			✓				
C	VFD4A8MS11ANSAA	20.6	EMF27AM21B	RF008X00A	T60006L2040W453				NA							
C	VFD7A5MS21ANSAA	17.9	EMF27AM21B	RF008X00A	T60006L2040W453			✓	NA			✓				
C	VFD11AMS21ANSAA	26.3	EMF27AM21B	RF008X00A	T60006L2040W453			✓	NA			✓				
C	VFD11AMS23ANSAA	15	EMF24AM23B	RF008X00A	T60006L2040W453		✓	✓	NA		✓	✓				
C	VFD17AMS23ANSAA	23.4	EMF24AM23B	RF008X00A	T60006L2040W453		✓	✓	NA		✓	✓				
C	VFD5A5MS43ANSAA	7.2	EMF12AM43B	RF008X00A	T60006L2040W453				NA							
C	VFD4A2MS53ANSAA	5.8	EMF16AM63B	RF008X00A	T60006L2040W453				NA*							
C	VFD6A6MS53ANSAA	9.3	EMF16AM63B	RF008X00A	T60006L2040W453				NA							
C	VFD9A0MS43ANSAA	11.6	EMF12AM43B	RF008X00A	T60006L2040W453		✓	✓	NA		✓	✓				
D	VFD25AMS23ANSAA	32.4	EMF33AM23B	RF008X00A	T60006L2050W565	✓	✓		NA	✓	✓					
D	VFD13AMS43ANSAA	17.3	EMF23AM43B	RF008X00A	T60006L2050W565	✓	✓	✓	NA	✓	✓	✓				
D	VFD9A9MS53ANSAA	13.4	EMF16AM63B	RF008X00A	T60006L2040W453				N/A							
D	VFD9A9MS53ANSAA	17.5	EMF16AM63B	RF008X00A	T60006L2040W453				N/A							
D	VFD17AMS43ANSAA	22.6	EMF23AM43B	RF008X00A	T60006L2050W565	✓	✓	✓	NA	✓	✓	✓				
E	VFD33AMS23ANSAA	43.2	B84143D0075R127	RF008X00A	T60006L2050W565		✓	✓	NA		✓	✓				
E	VFD49AMS23ANSAA	61.2	B84143D0075R127	RF008X00A	T60006L2050W565		✓	✓	NA		✓	✓				
E	VFD25AMS43ANSAA	30.8	B84143D0050R127	RF008X00A	T60006L2050W565				NA							
E	VFD32AMS43ANSAA	39.6	B84143D0050R127	RF008X00A	T60006L2050W565		✓	✓	NA		✓	✓				
F	VFD65AMS23ANSAA	82.8	B84143D0090R127	RF008X00A	T60006L2050W565		✓	✓	NA		✓	✓				
F	VFD38AMS43ANSAA	45.7	B84143D0075R127	RF008X00A	T60006L2050W565		✓	✓	NA		✓	✓				
F	VFD45AMS43ANSAA	53.9	B84143D0075R127	RF008X00A	T60006L2050W565		✓	✓	NA		✓	✓				

Note 1: It is not necessary to add a zero phase reactor for passing the C2 conducted emission test.

Table 7-6-1

The maximum motor cable length of the conducted emission C2 class for VFD1A7MS53ANSAA, VFD3A0MS53ANSAA and VFD4A2MS53ANSAA is 75 m, others are 100 m.

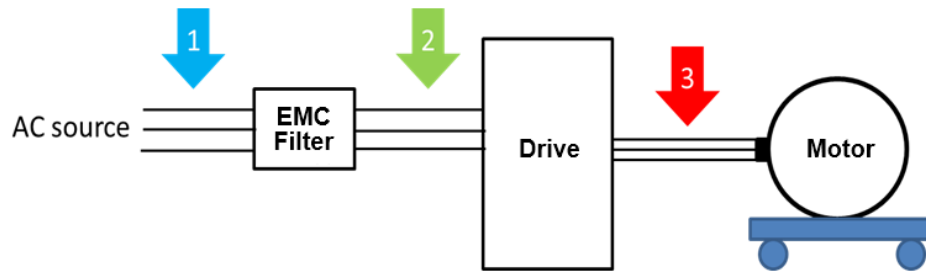
Zero phase reactor installation position diagram:

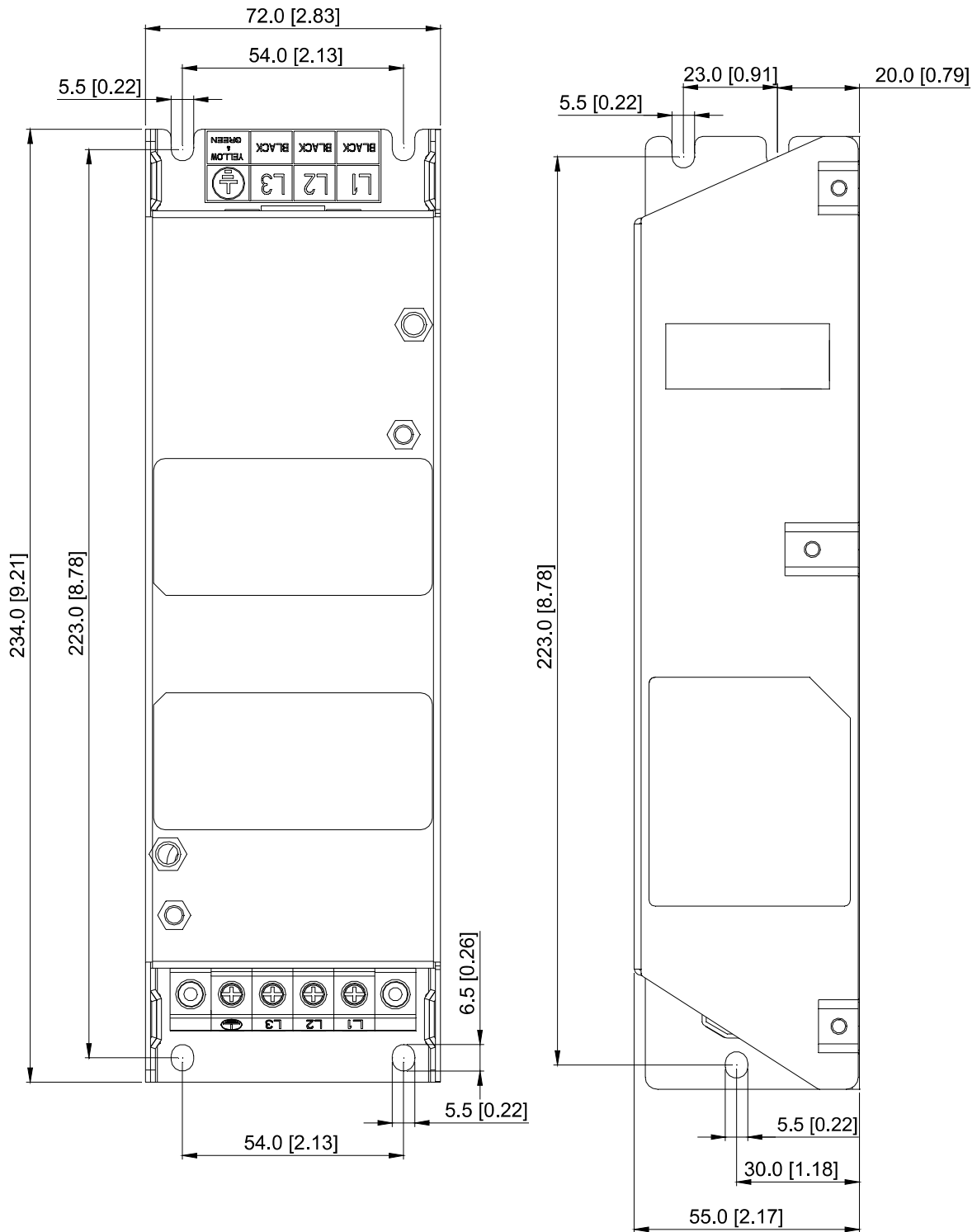
Figure 7-6-1

- *1 Install at the cable between the power supply and the EMC filter
- *2 Install at the cable between the EMC filter and the drive
- *3 Install at the cable between the drive and the motor

Filter Dimension

EMF11AM21A
 EMF10AM23A
 EMF6A0M43A

Screw	Torque
M5 * 2	16–20 kg-cm / [13.9–17.3 lb-in.] / [1.56–1.96 Nm]
M4 * 2	14–16 kg-cm / [12.2–13.8 lb-in.] / [1.38–1.56 Nm]

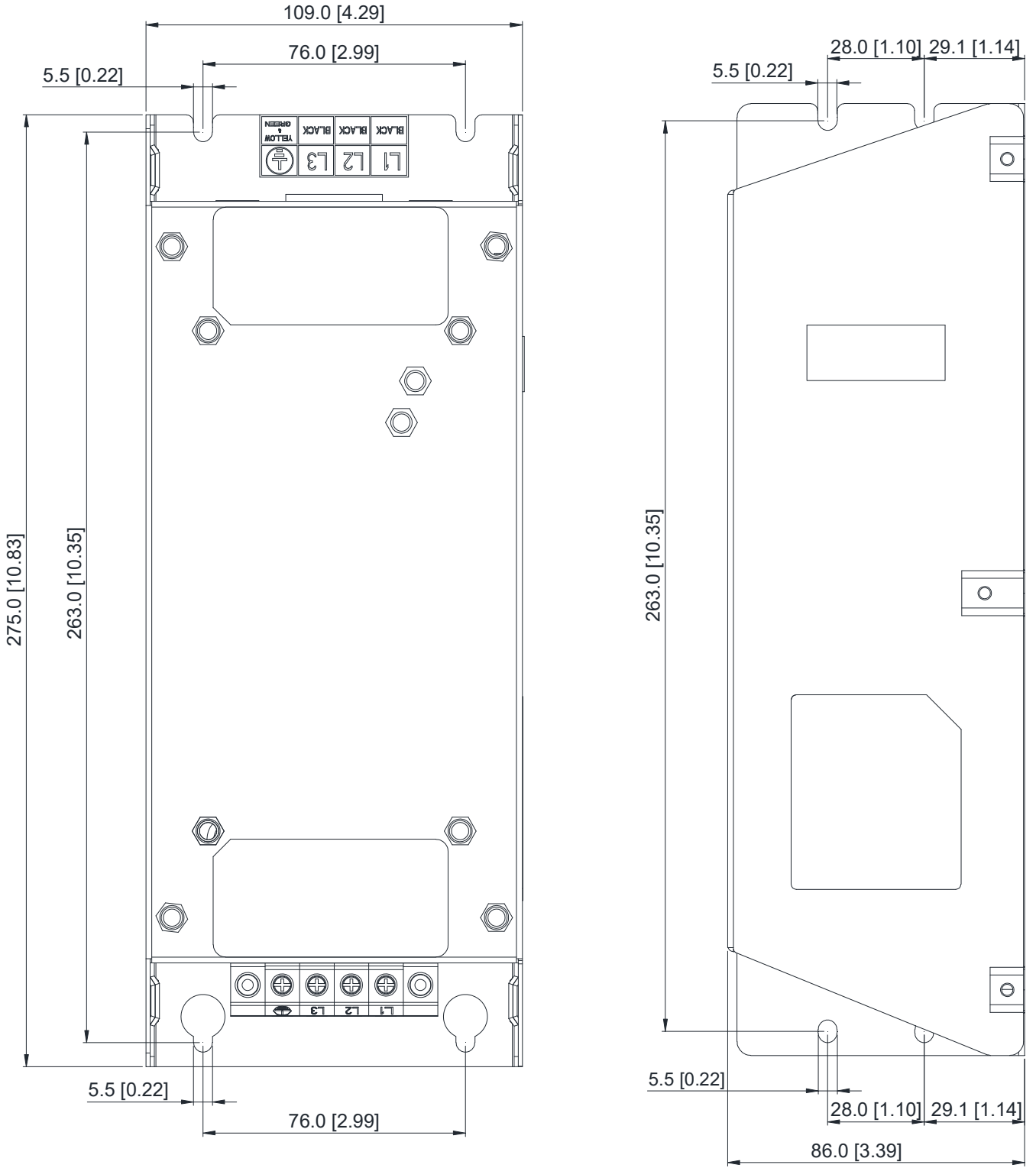


Unit: mm [inch]

Figure 7-6-2

EMF27AM21B; EMF24AM23B
 EMF33AM23B; EMF12AM43B
 EMF23AM43B; EMF6A0M63B;
 EMF16AM63B

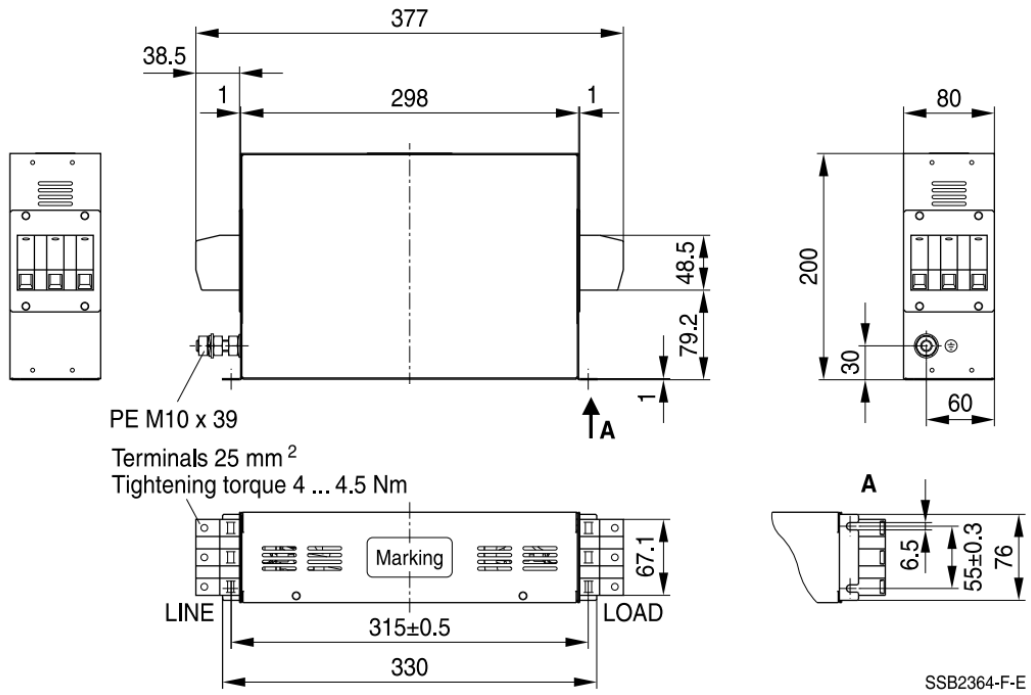
Screw	Torque
M5 * 4	16–20 kg-cm / [13.9–17.3 lb-in.] / [1.56–1.96 Nm]



Unit: mm [inch]

Figure 7-6-3

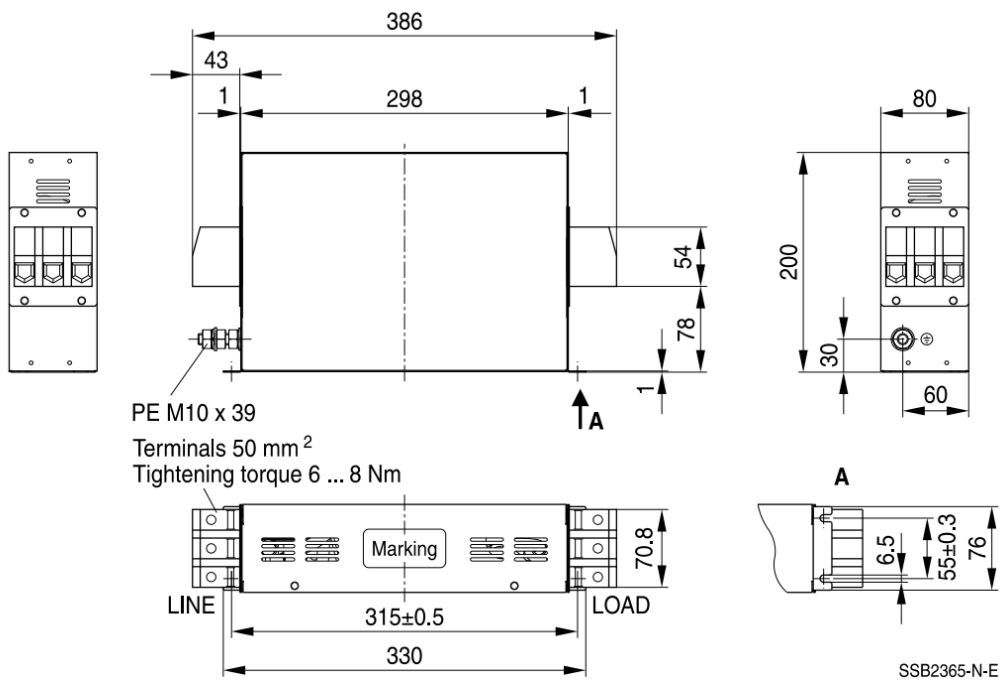
TDK B84143D0050R127 (50A)



Unit: mm

Figure 7-6-4

TDK B84143D0075R127 (75A), TDK B84143D0090R127 (90A)



Unit: mm

Figure 7-6-5

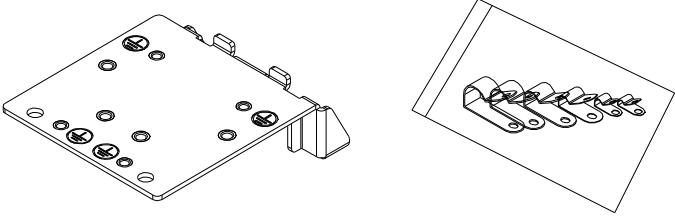
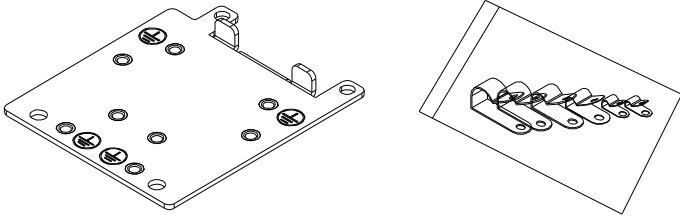
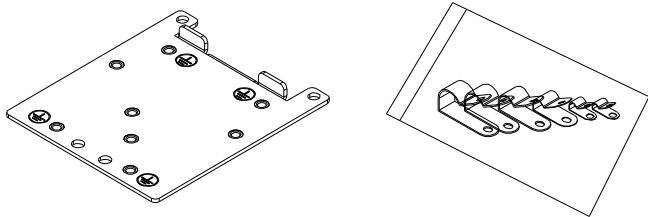
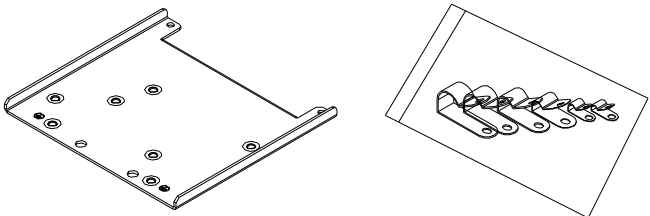
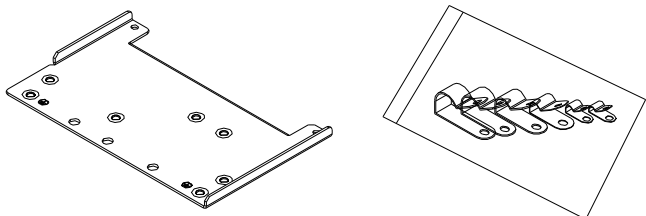
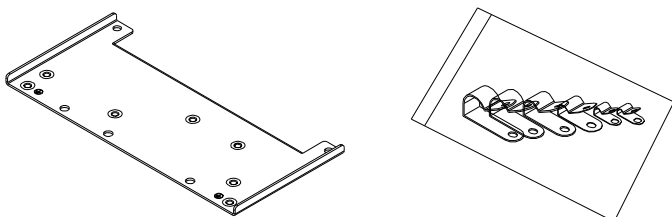
The table below is the maximum shielded cable length for drive models with built-in EMC filters. You can choose the corresponding shielded cable length according to the required noise emission and electromagnetic interference class.

Drive Models with Built-in Filters		Rated Current (HD)	Compliance with EMC (IEC 61800-3) Class C3		Compliance with EMC (IEC 61800-3) Class C2	
Frame	Models		Shielded Cable Length	Fc	Shielded Cable Length	Fc
B	VFD1A5MS43AFSAA	1.5	30 m	4 kHz	20 m	4 kHz
	VFD2A7MS43AFSAA	2.7				
	VFD4A2MS43AFSAA	4.2				
	VFD1A6MS21AFSAA	1.6				
	VFD2A8MS21AFSAA	2.8				
	VFD4A8MS21AFSAA	4.8				
C	VFD5A7MS43AFSAA	5.7				
	VFD7A5MS21AFSAA	7.5				
	VFD9A0MS43AFSAA	9				
	VFD11AMS21AFSAA	11				
D	VFD13AMS43AFSAA	13				
	VFD17AMS43AFSAA	17				
E	VFD25AMS43AFSAA	25				
	VFD32AMS43AFSAA	32				
F	VFD38AMS43AFSAA	38				
	VFD45AMS43AFSAA	45				

Table 7-6-2

7-7 EMC Shield Plate

EMC Shield Plate (for use with shielded cable)

Frame	Model of EMC Shield Plate	Reference Figure
A	MKM-EPA	 <p data-bbox="954 533 1102 568">Figure 7-7-1</p>
B	MKM-EPB	 <p data-bbox="954 819 1102 855">Figure 7-7-2</p>
C	MKM-EPC	 <p data-bbox="954 1106 1102 1142">Figure 7-7-3</p>
D	MKM-EPD	 <p data-bbox="954 1393 1102 1429">Figure 7-7-4</p>
E	MKM-EPE	 <p data-bbox="954 1680 1102 1715">Figure 7-7-5</p>
F	MKM-EPF	 <p data-bbox="954 1966 1102 2002">Figure 7-7-6</p>

Installation

(This example uses Frame A model)

- As shown in the right figure, fix the shield plate on the AC motor drive.

Torque value:

Frame	Screw	Torque
A	M3.5	6–8 kg-cm / [5.2–6.9 lb-in.] / [0.59–0.78 Nm]
B	M4	6–8 kg-cm / [5.2–6.9 lb-in.] / [0.59–0.78 Nm]
C	M4	6–8 kg-cm / [5.2–6.9 lb-in.] / [0.59–0.78 Nm]
D	M3	4–6 kg-cm / [3.5–5.2 lb-in.] / [0.39–0.59 Nm]
E	M3	4–6 kg-cm / [3.5–5.2 lb-in.] / [0.39–0.59 Nm]
F	M4	6–8 kg-cm / [5.2–6.9 lb-in.] / [0.59–0.78 Nm]

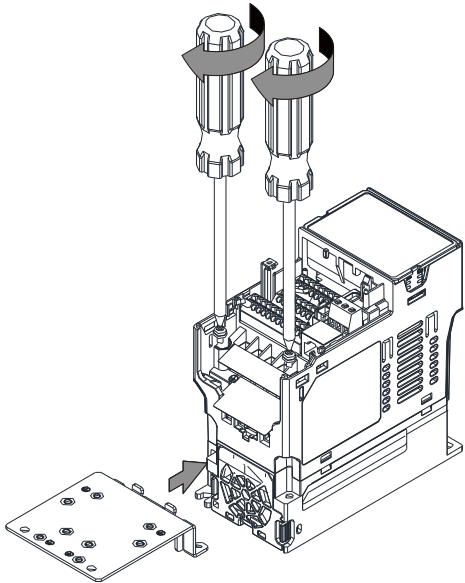


Figure 7-7-7

- Select a suitable R-clip according to the wire gauge used, and then fix the R-clip on the shield plate.

Screw	Torque
M4	6–8 kg-cm / [5.2–6.9 lb-in.] / [0.59–0.78 Nm]

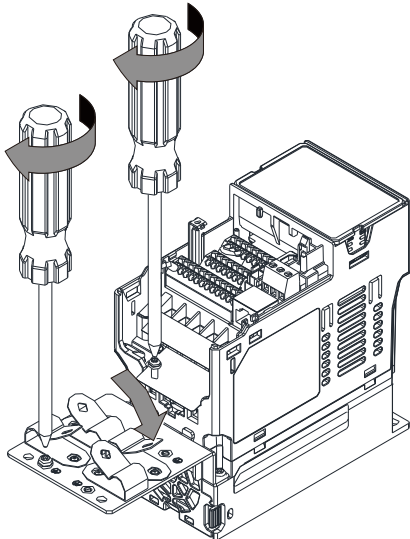


Figure 7-7-8

Dimensions of EMC Shield Plate

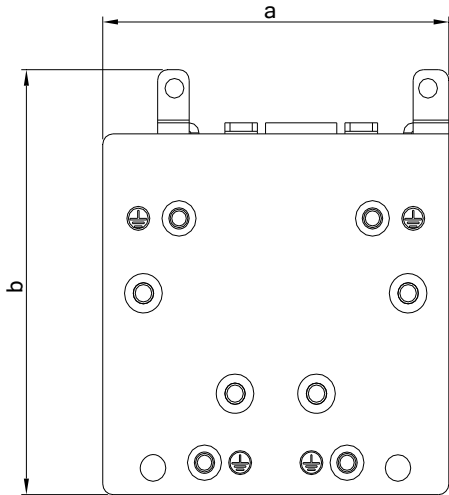
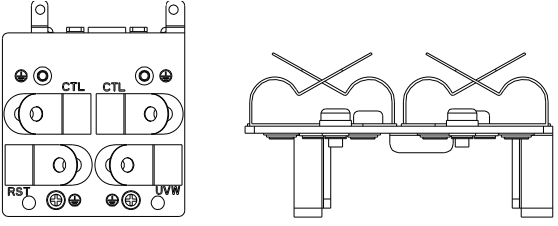
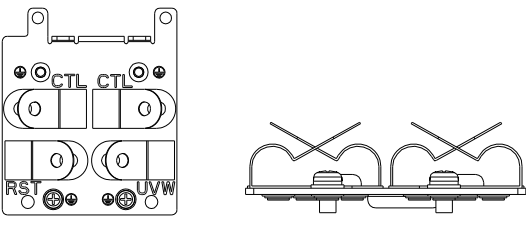
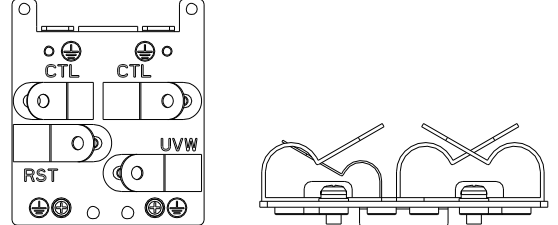
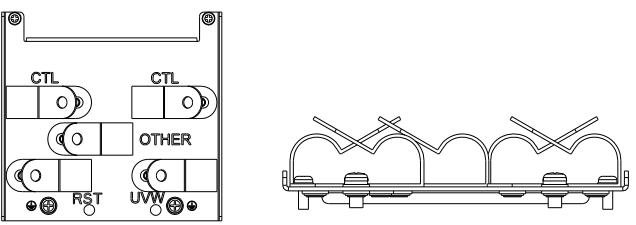
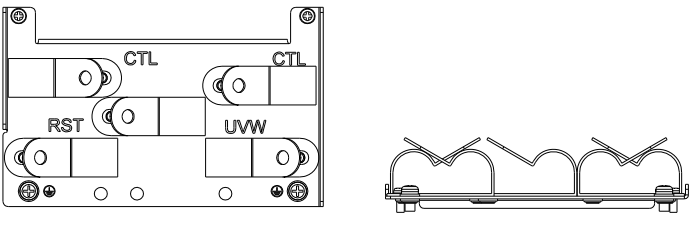
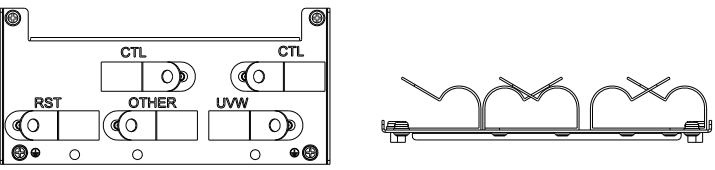


Figure 7-7-9

Model	Dimensions of Shield Plate	
	Unit: mm [inch]	
	a	b
MKM-EPA	69.3 [2.73]	80.0 [3.15]
MKM-EPB	67.7 [2.67]	79.7 [3.14]
MKM-EPC	78.0 [3.07]	91.0 [3.58]
MKM-EPD	103.4 [4.07]	97.0 [3.82]
MKM-EPE	124.3 [4.89]	77.4 [3.05]
MKM-EPF	168.0 [6.61]	80.0 [3.15]

Recommended wiring method

Frame	Model of EMC Shield Plate	Reference Figure
A	MKM-EPA	 <p data-bbox="995 495 1155 524">Figure 7-7-10</p>
B	MKM-EPB	 <p data-bbox="995 797 1155 826">Figure 7-7-11</p>
C	MKM-EPC	 <p data-bbox="995 1099 1155 1128">Figure 7-7-12</p>
D	MKM-EPD	 <p data-bbox="995 1402 1155 1431">Figure 7-7-13</p>
E	MKM-EPE	 <p data-bbox="995 1704 1155 1733">Figure 7-7-14</p>
F	MKM-EPF	 <p data-bbox="995 2007 1155 2036">Figure 7-7-15</p>

7-8 Capacitive Filter

The capacitive filter (CXY101-43A) is a simple filter that supports basic filtering and noise interference reduction and applicable for models below 460V.

Installation diagram:

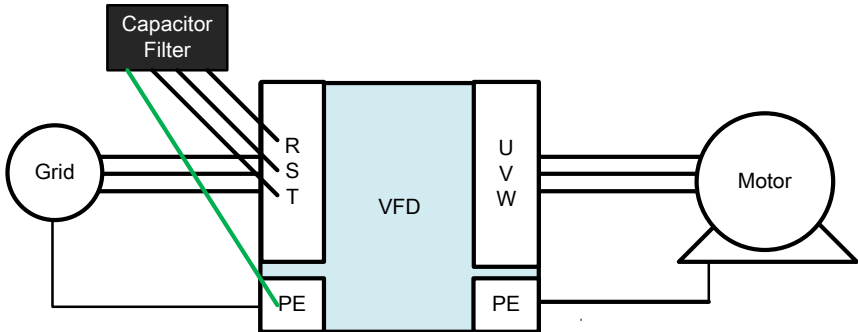


Figure 7-8-1

Wiring diagram for the capacitive filter and the drive:

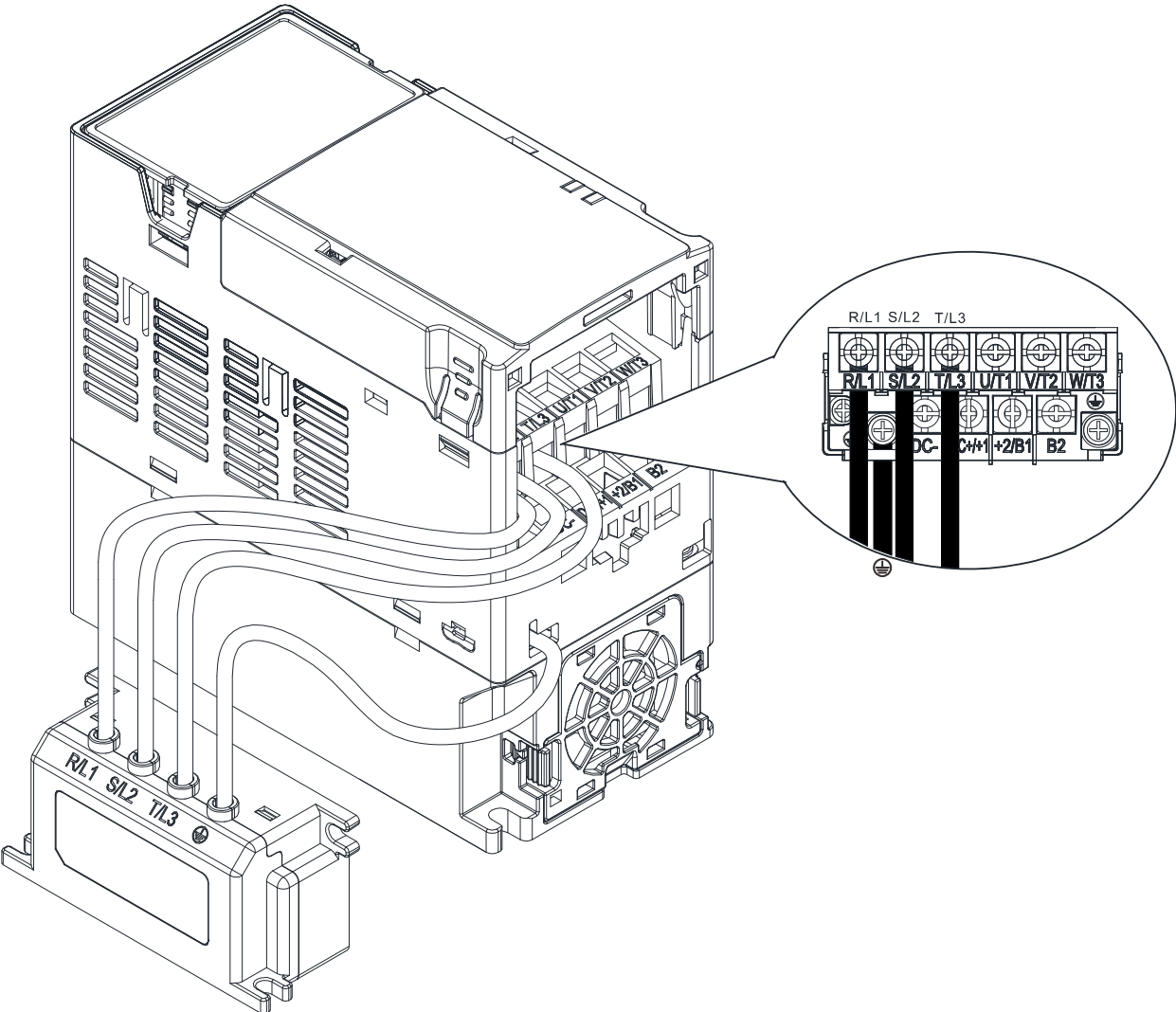


Figure 7-8-2

Specifications:

Model	Applicable Voltage	Temperature Range	Capacitance
CXY101-43A	110–480 V _{AC}	-40–85°C	Cx: 1uF ± 20% Cy: 0.1uF ± 20%

Table 7-8-1

Note: CXY101-43A is not applicable for 575V models.

Dimensions:

CXY101-43A

Unit: mm [inch]

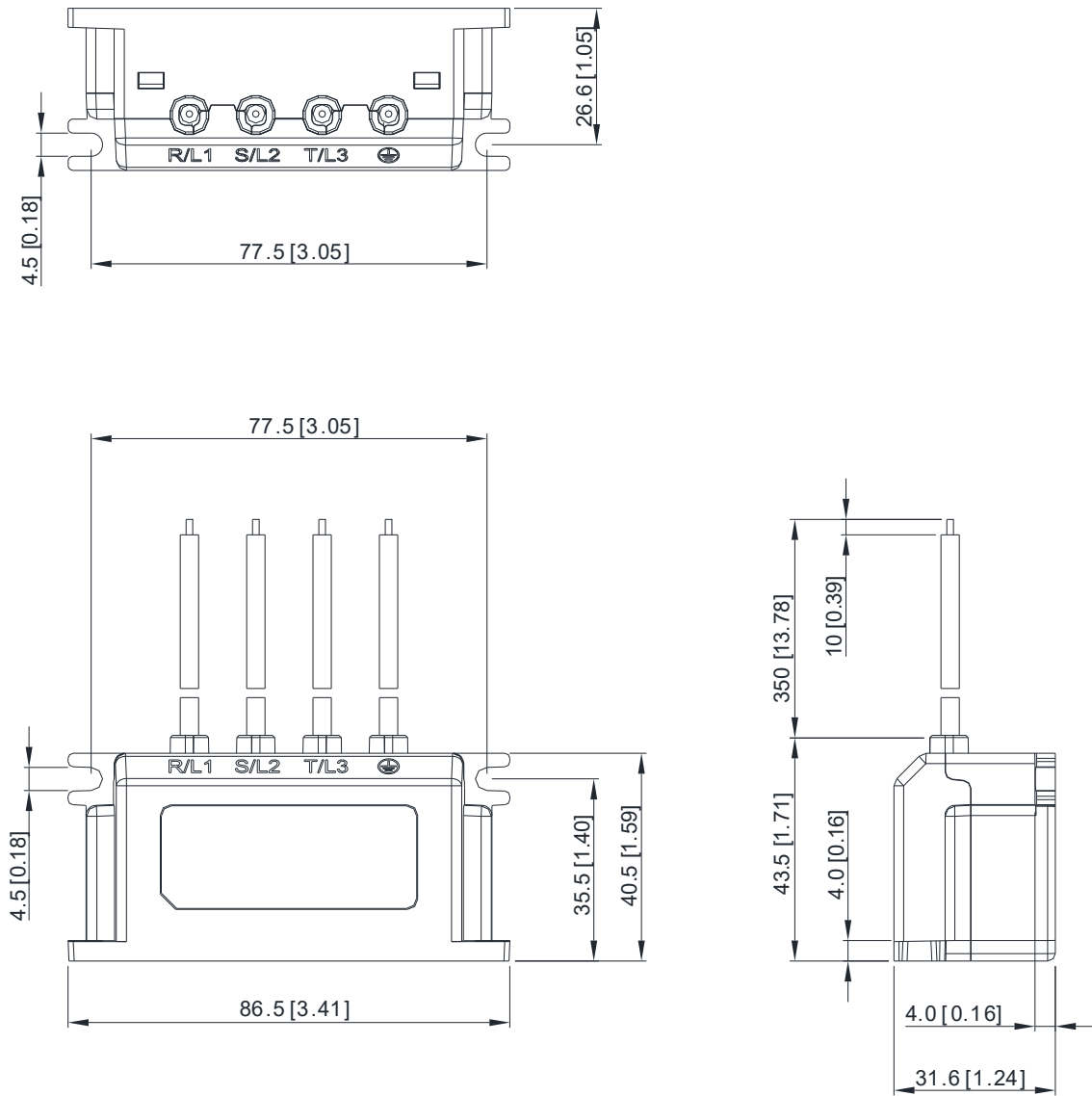


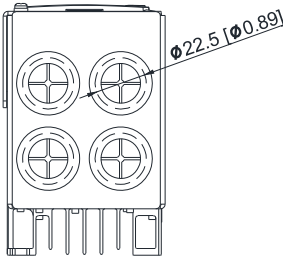
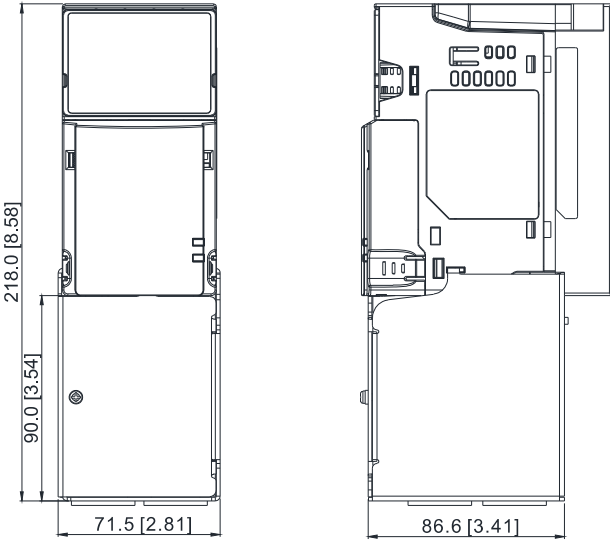
Figure 7-8-3

7-9 Conduit Box

Conduit boxes are all compliant with the protection level NEMA 1 / UL Type 1

Frame A (A1, A2)

Conduit box model: MKM-CBA0

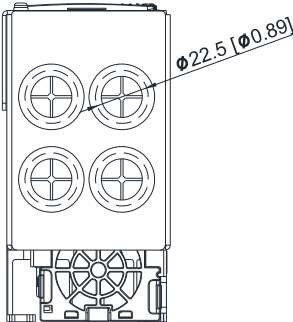
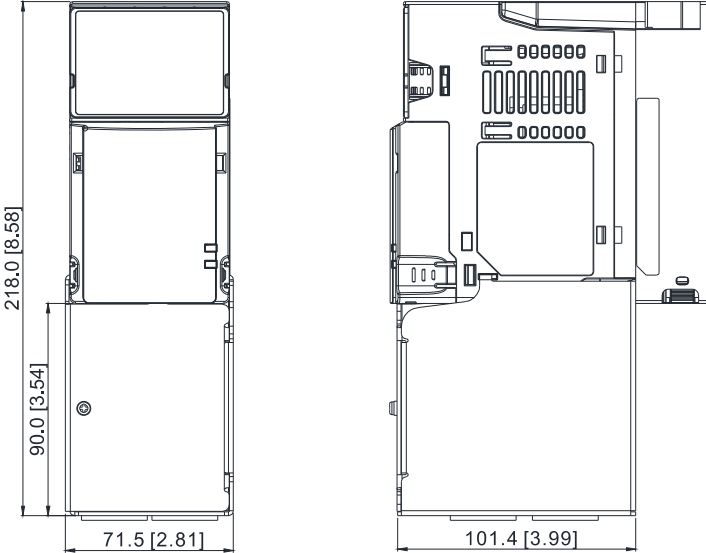


Unit: mm [inch]

Figure 7-9-1

Frame A (A3–A5)

Conduit box model: MKM-CBA

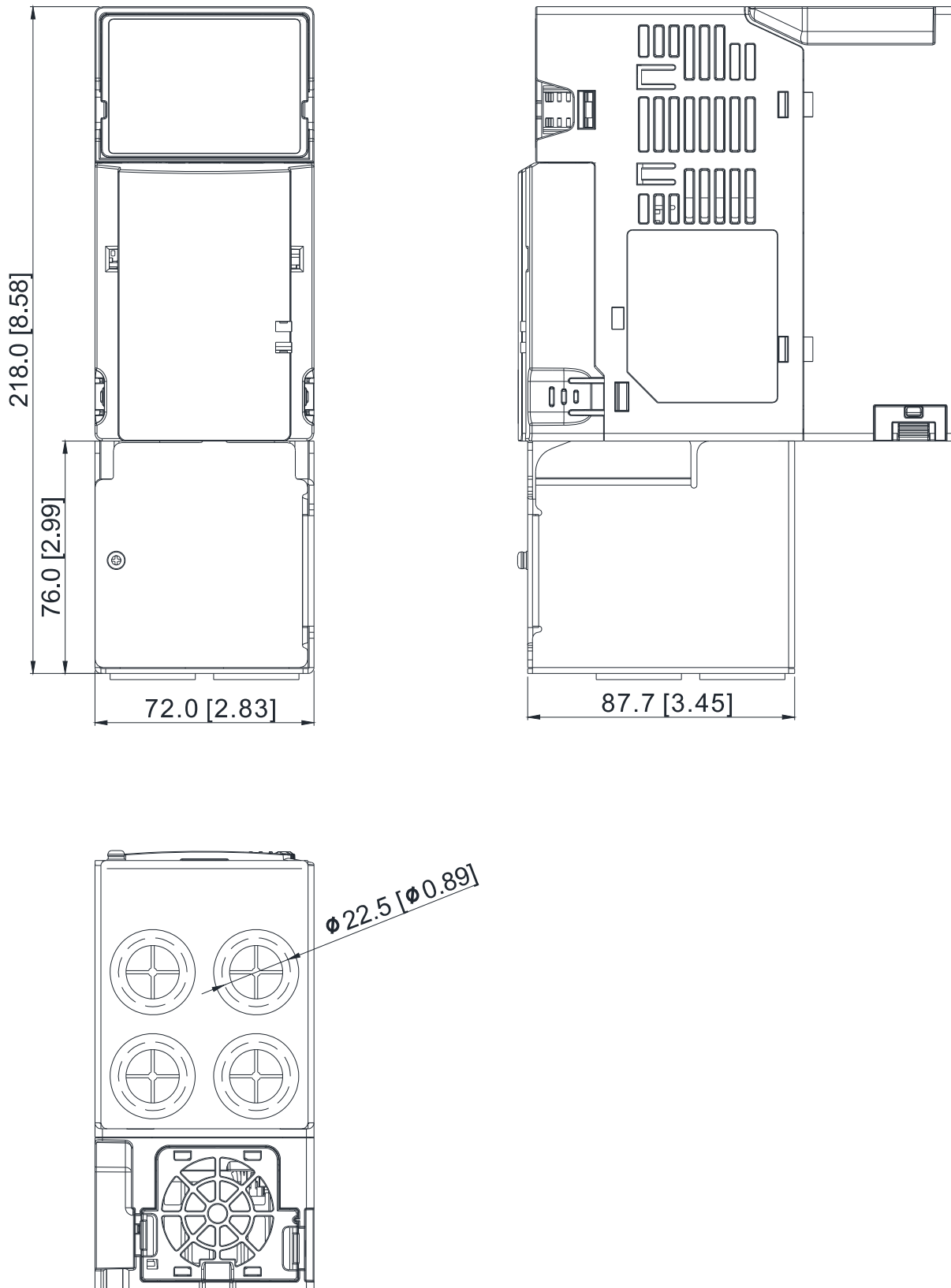


Unit: mm [inch]

Figure 7-9-2

Frame B

Conduit box model: MKM-CBB

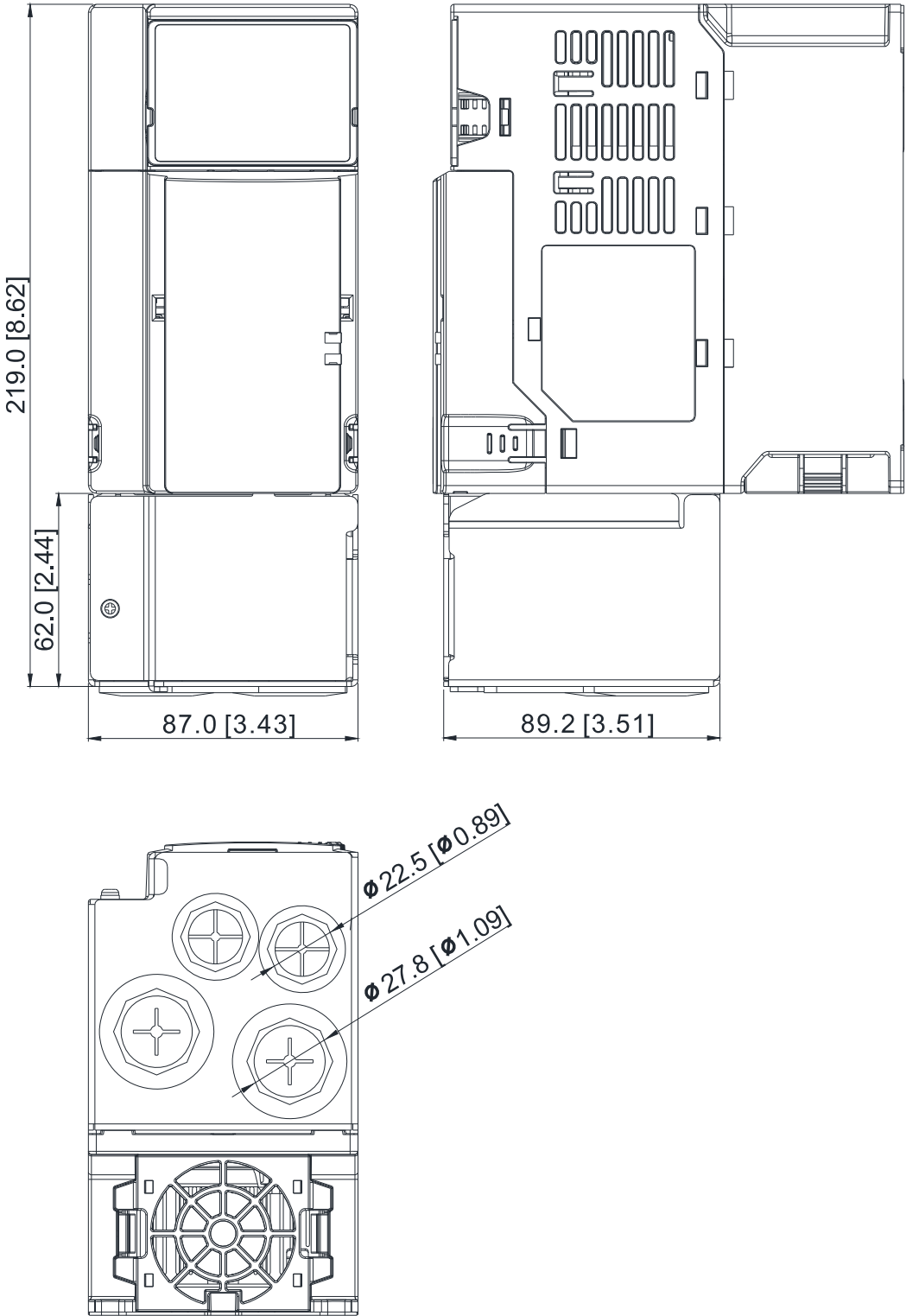


Unit: mm [inch]

Figure 7-9-3

Frame C

Conduit box model: MKM-CBC

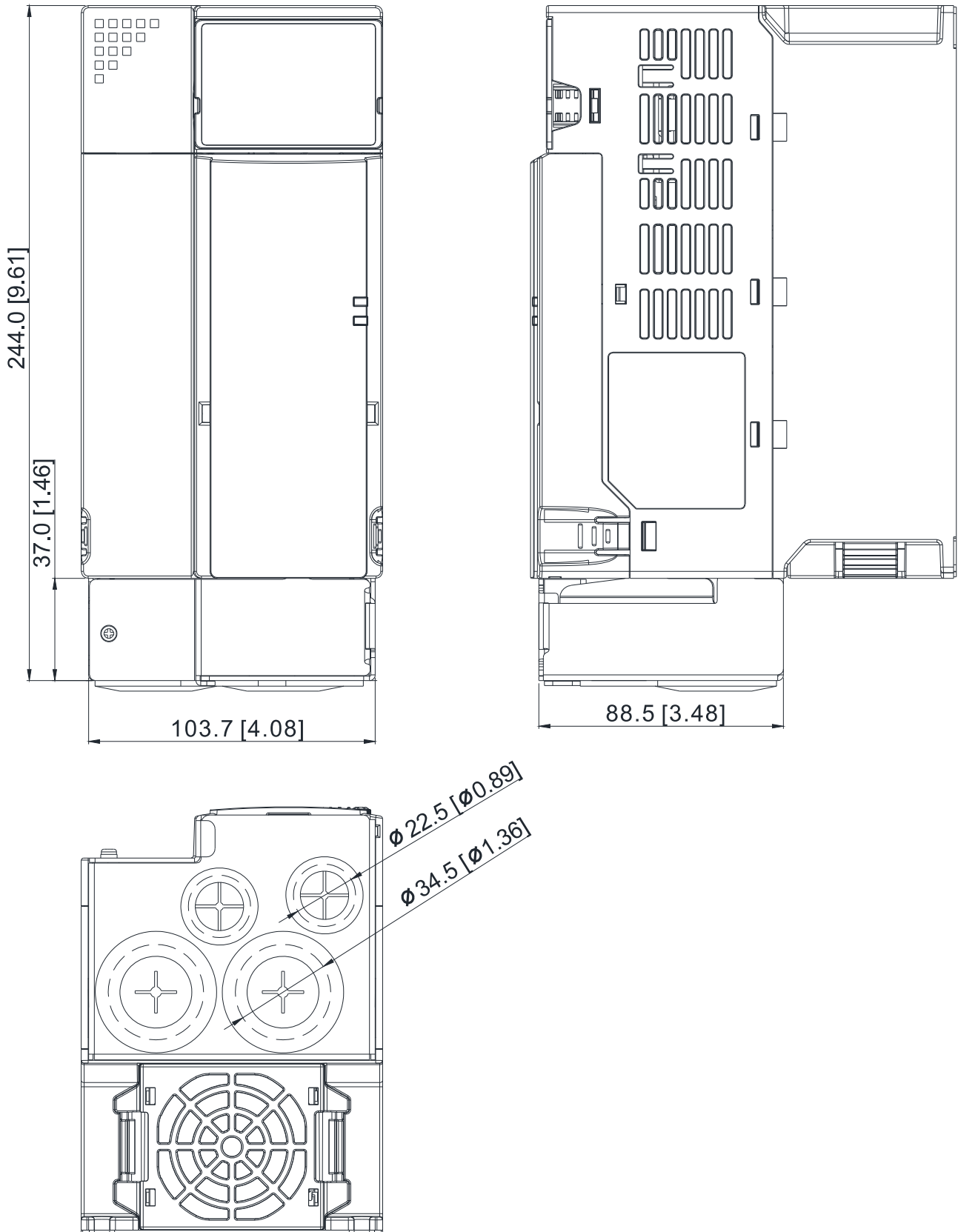


Unit: mm [inch]

Figure 7-9-4

Frame D

Conduit box model: MKM-CBD

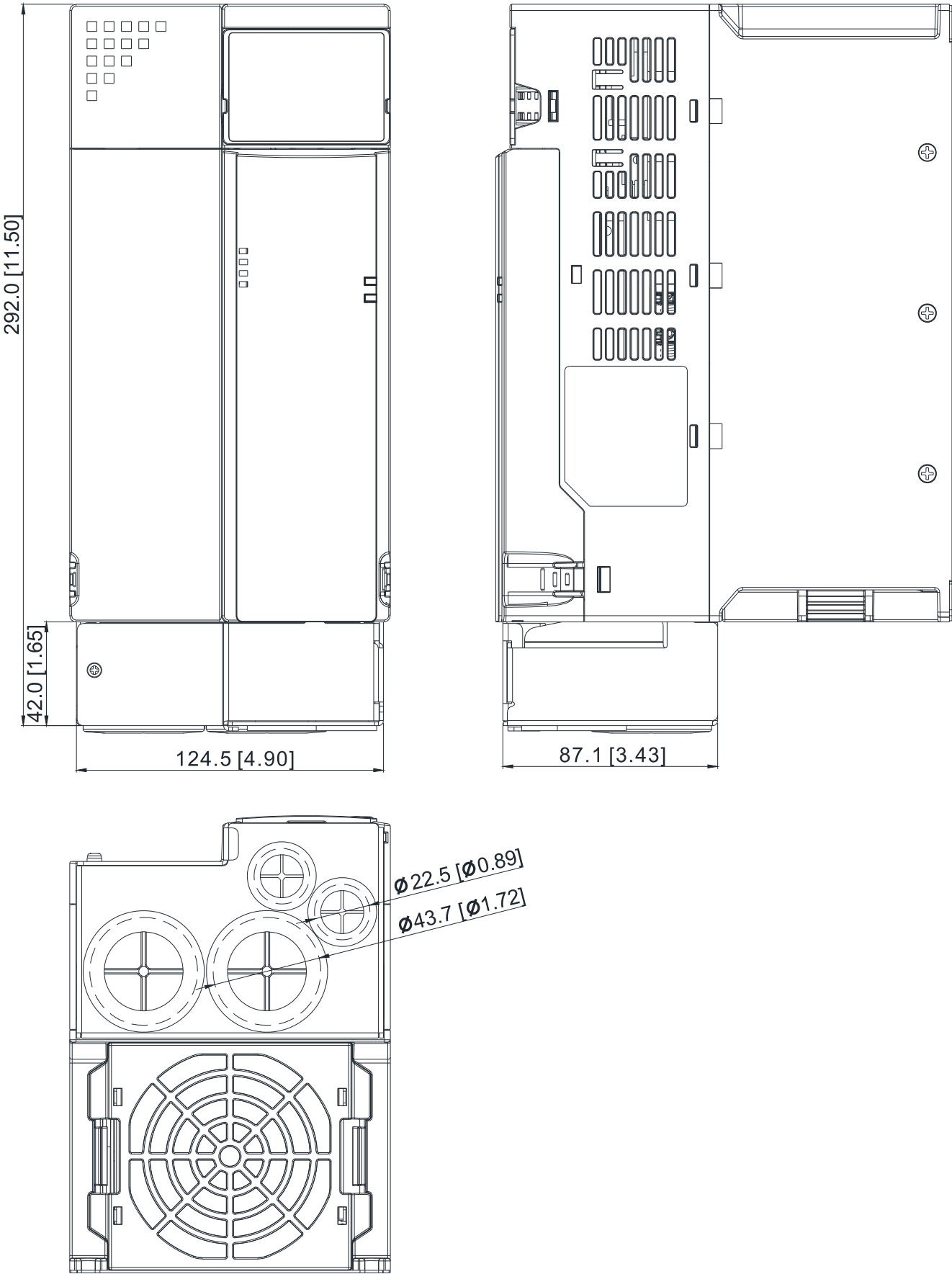


Unit: mm [inch]

Figure 7-9-5

Frame E

Conduit box model: MKM-CBE

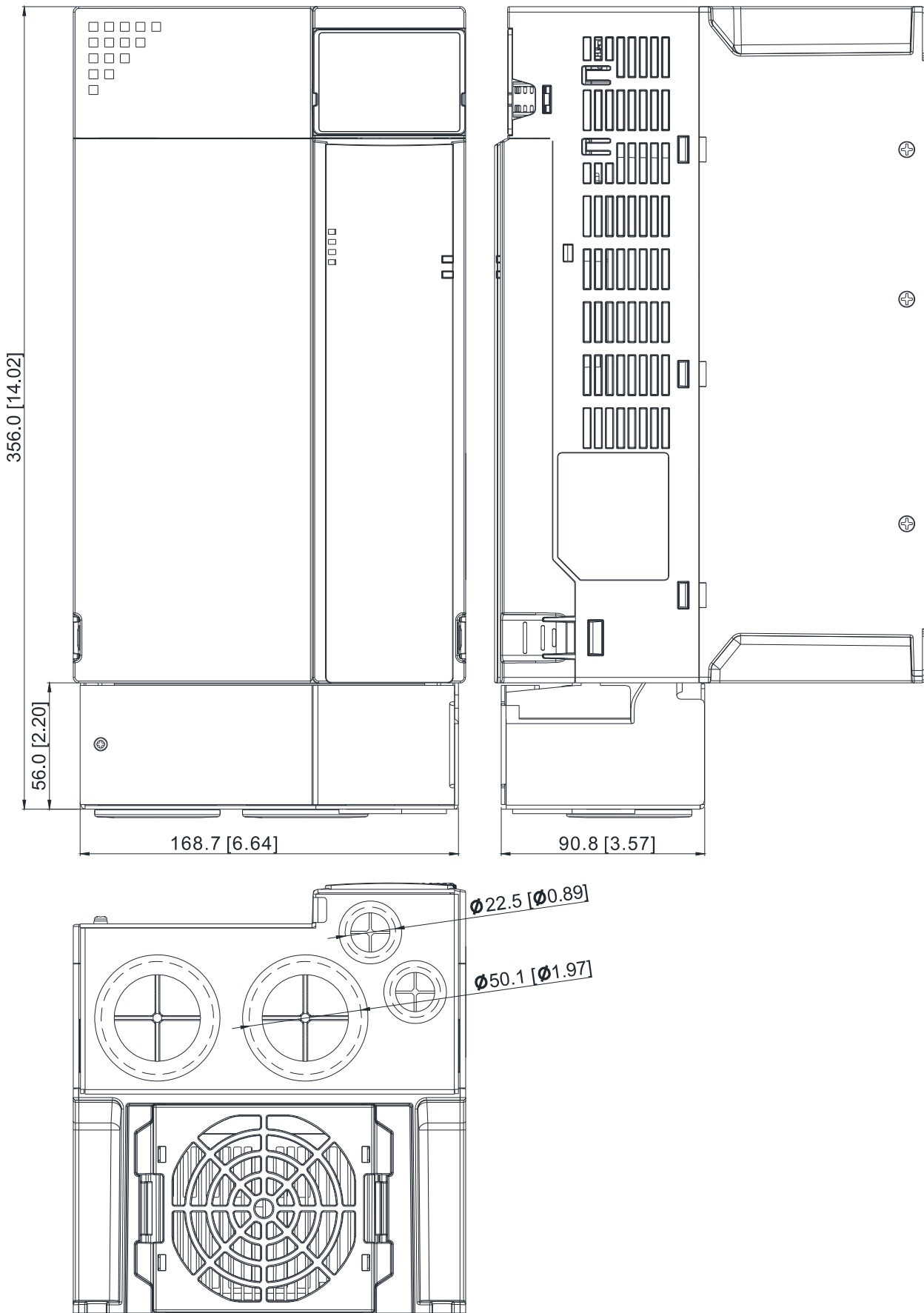


Unit: mm [inch]

Figure 7-9-6

Frame F

Conduit box model: MKM-CBF



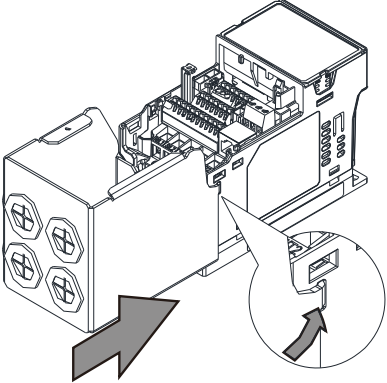
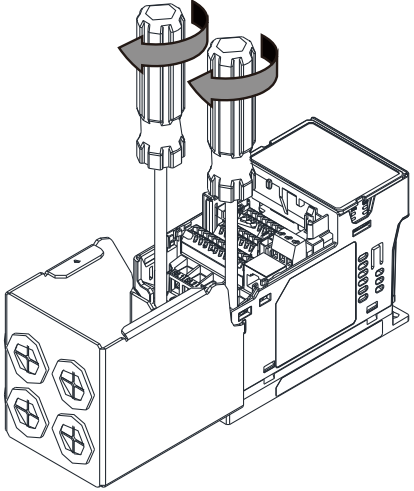
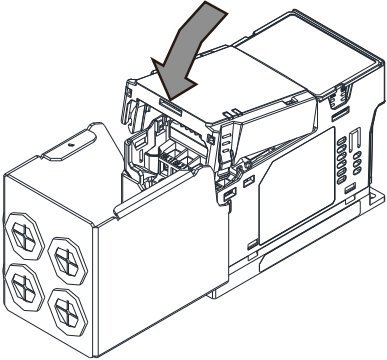
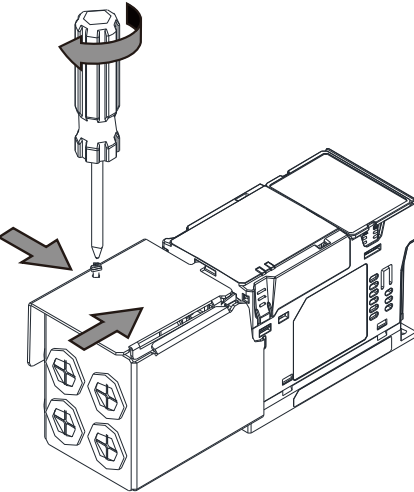
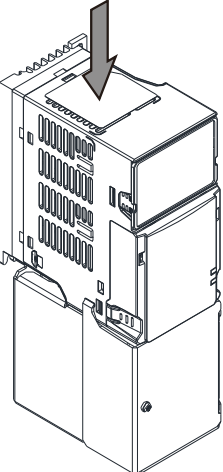
Unit: mm [inch]

Figure 7-9-7

Installation

Recommended screw size and torque value: M3: 4–6 kg-cm / [3.5–5.2 lb-in.] / [0.39–0.59 Nm]
M3.5: 4–6 kg-cm / [3.5–5.2 lb-in.] / [0.39–0.59 Nm]
M4: 6–8 kg-cm / [5.2–6.9 lb-in.] / [0.59–0.78 Nm]

Frame A

<p>1)</p>  <p>Figure 7-9-8</p>	<p>2)</p>  <p>Figure 7-9-9</p>
<p>3)</p>  <p>Figure 7-9-10</p>	<p>4)</p>  <p>Figure 7-9-11</p>
<p>5)</p>  <p>Figure 7-9-12</p>	

Frame B-F

1)

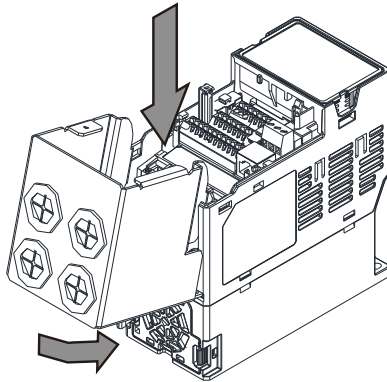


Figure 7-9-13

2)

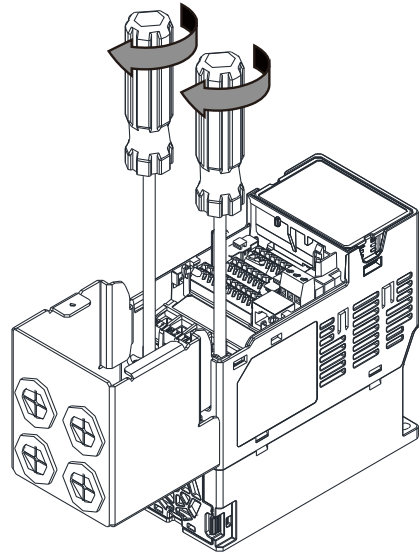


Figure 7-9-14

3)

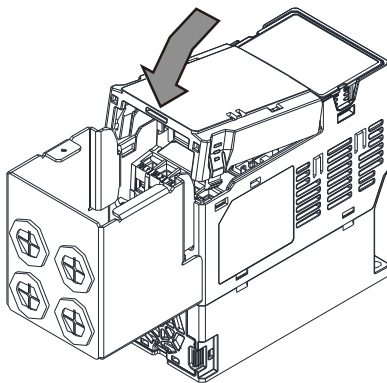


Figure 7-9-15

4)

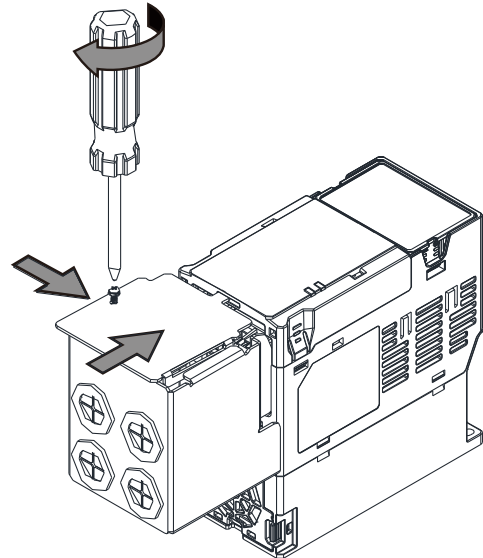


Figure 7-9-16

5)

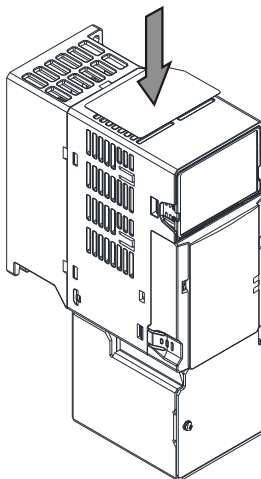


Figure 7-9-17

7-10 Fan Kit

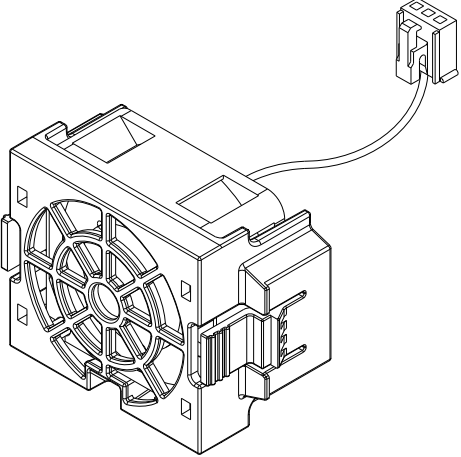
Frame	Fan Model	Fan Kit
A	MKM-FKMA	
B	MKM-FKMB	
C	MKM-FKMC	
D	MKM-FKMD	
E	MKM-FKME	
F	MKM-FKMF	

Figure 7-10-1

Fan Removal

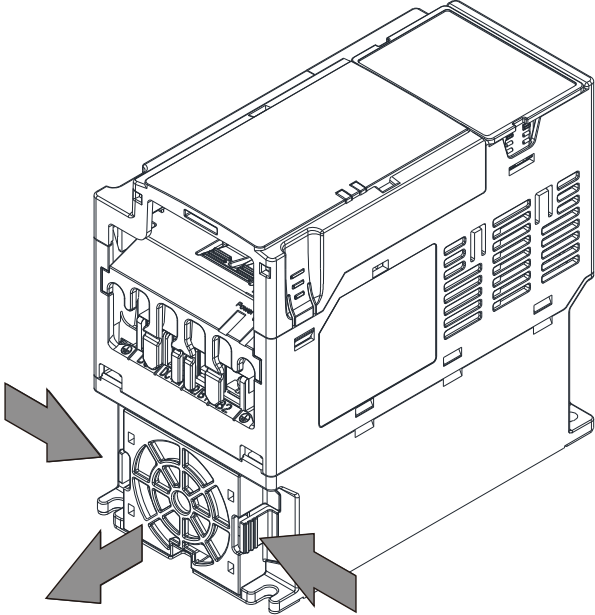
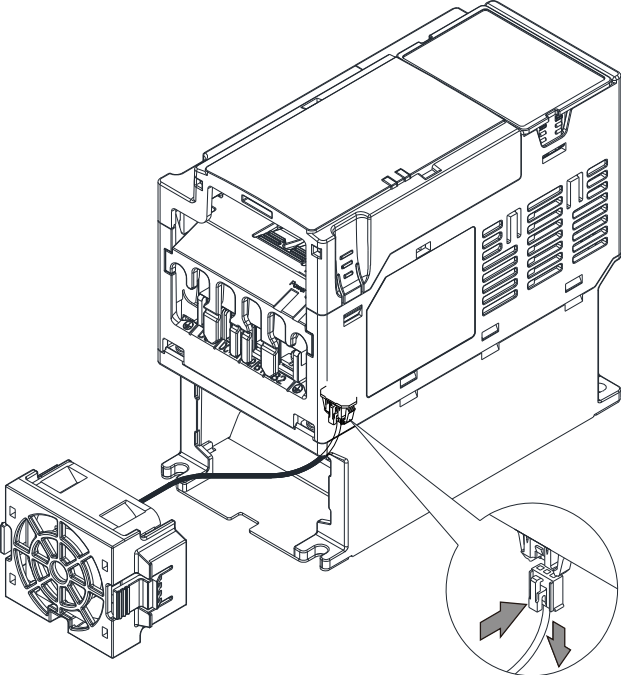
<p>1. As shown in the figure below, press the tabs on both sides of the fan to remove it.</p>	<p>2. Disconnect the power cable while removing the fan.</p>
	

Figure 7-10-2

Figure 7-10-3

7-11 Keypad Panel Mounting

KPMS-LE01

Method 1: Direct mounting on a plate

Unit: mm [inch]

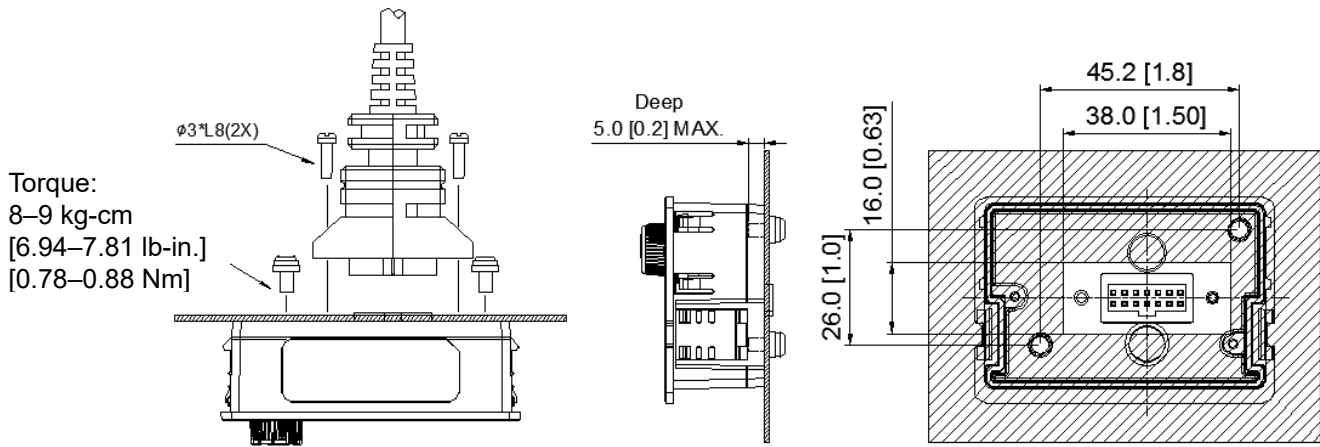


Figure 7-11-1

Method 2: Mounting through a plate

Unit: mm [inch]

Plate Thickness = 1.2 [0.05] or 2.0 [0.08]

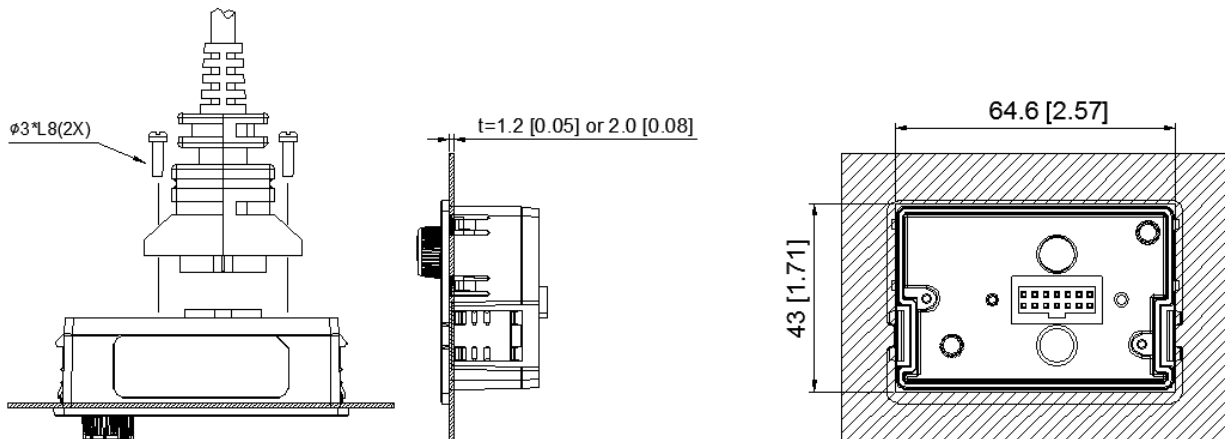


Figure 7-11-2

※ You can work with the extension cable. The extension cable models and cable length specifications are listed in the table below.

Models	Extension Cable Length (Unit: mm [inch])
EG0610C	600 [23.62]
EG1010C	1000 [39.37]
EG2010C	2000 [78.74]
EG3010C	3000 [118.11]
EG5010C	5000 [196.85]

Table 7-11-1

7-12 DIN-Rail Mounting

MKM-DRB (Applicable for Frame A and Frame B)

Screw	Torque
M4*2PCS	8–10 kg-cm [6.9–8.7 lb-in.] [0.78–0.98 Nm]

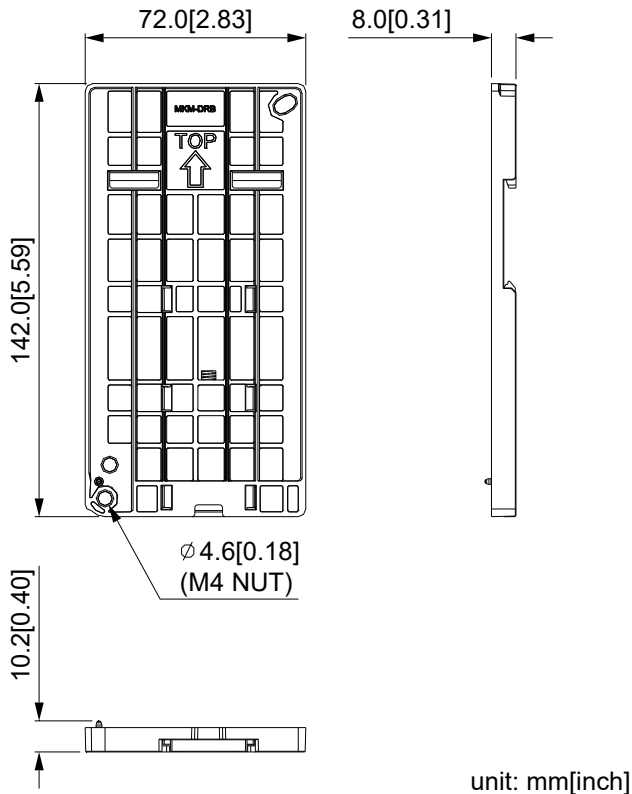


Figure 7-12-1

MKM-DRC (Applicable for Frame C)

Screw	Torque
M5*4PCS	10–12 kg-cm [8.7–10.4 lb-in.] [0.98–1.18 Nm]

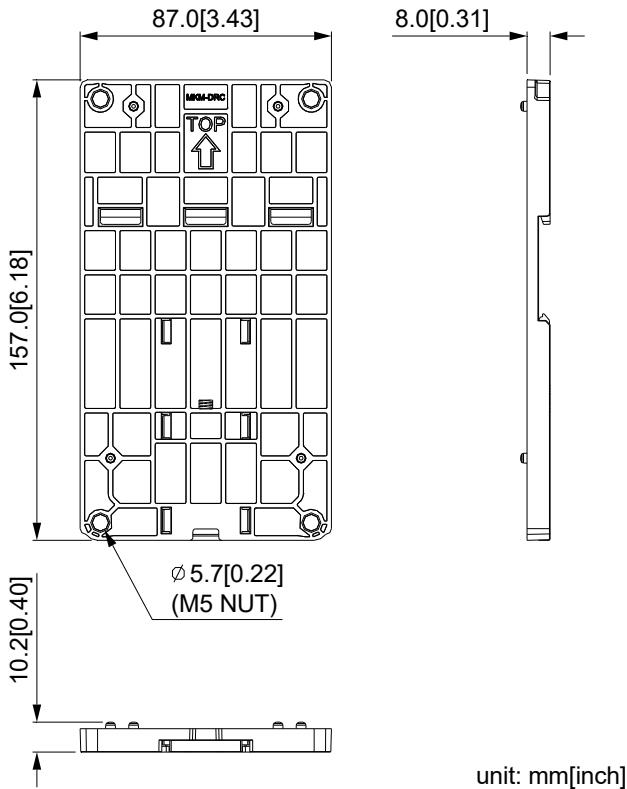


Figure 7-12-2

Installation

Model	Screw	Torque
MKM-DRB	M4*P0.7*2PCS	8–10 kg-cm / [6.9–8.7 lb-in.] / [0.78–0.98 Nm]
MKM-DRC	M5*P0.8*4PCS	10–12 kg-cm / [8.7–10.4 lb-in.] / [0.98–1.18 Nm]

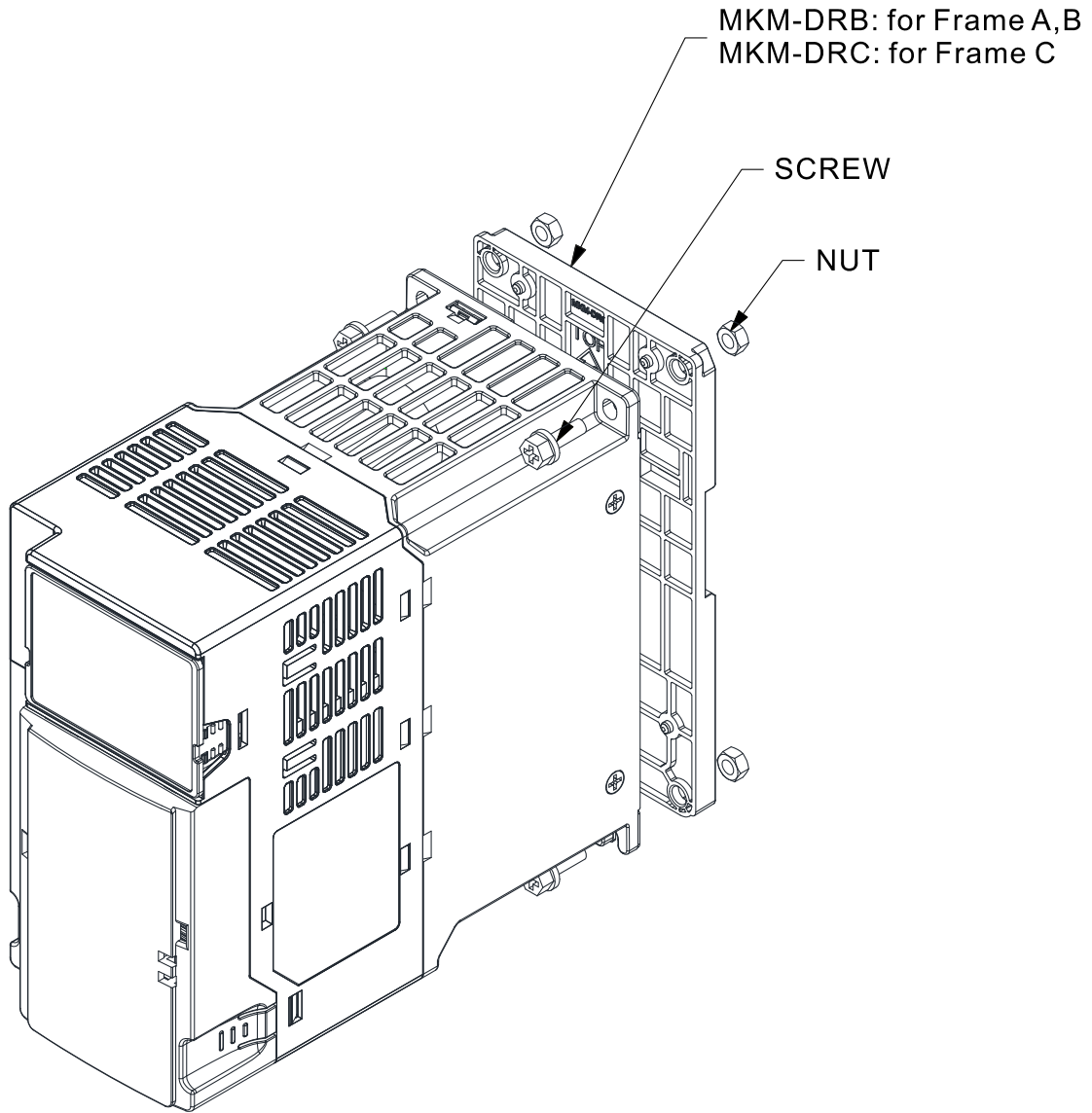


Figure 7-12-3

7-13 Mounting Adapter Plate

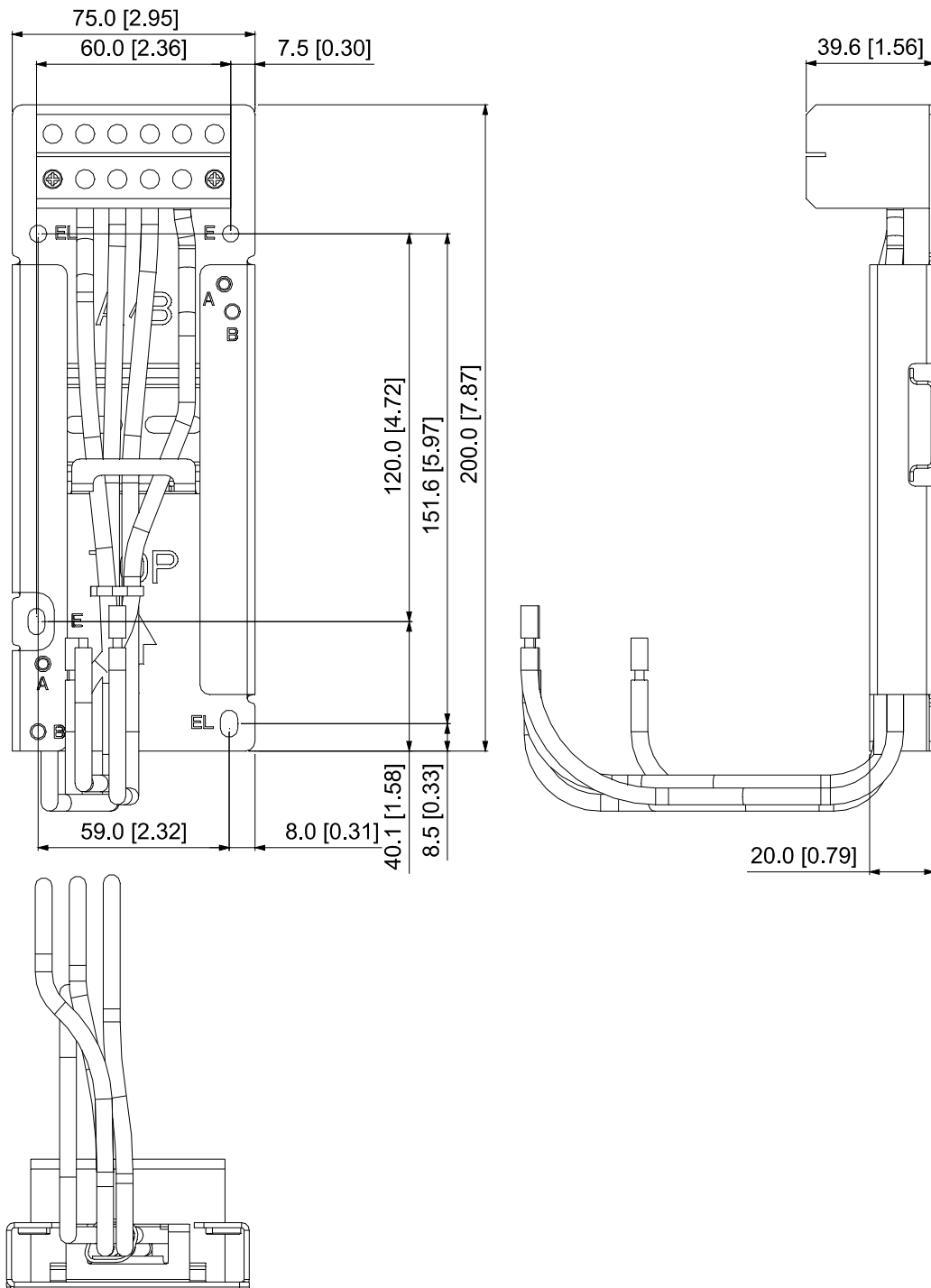
The mounting adapter plate is to change the wiring method for the ME300/MS300/MH300 series to provide you a flexible installation. It changes the wiring method from the “bottom-mains input/ bottom-motor output” to the “top-mains input/bottom-motor output” for ME300/MS300/MH300. Therefore, you can use the mounting adapter plate to change the drive from VFD-E/VFD-EL series to ME300/ MS300/MH300 series without changing the original wiring method and fixing hole. The following table shows the correspondences.

Series Models	ME/MS/MH300	VFD-E	VFD-EL
MKM-MAPB	Frame A-B	Frame A	Frame A
MKM-MAPC	Frame C	Frame B	Frame B

Table 7-13-1

MKM-MAPB:

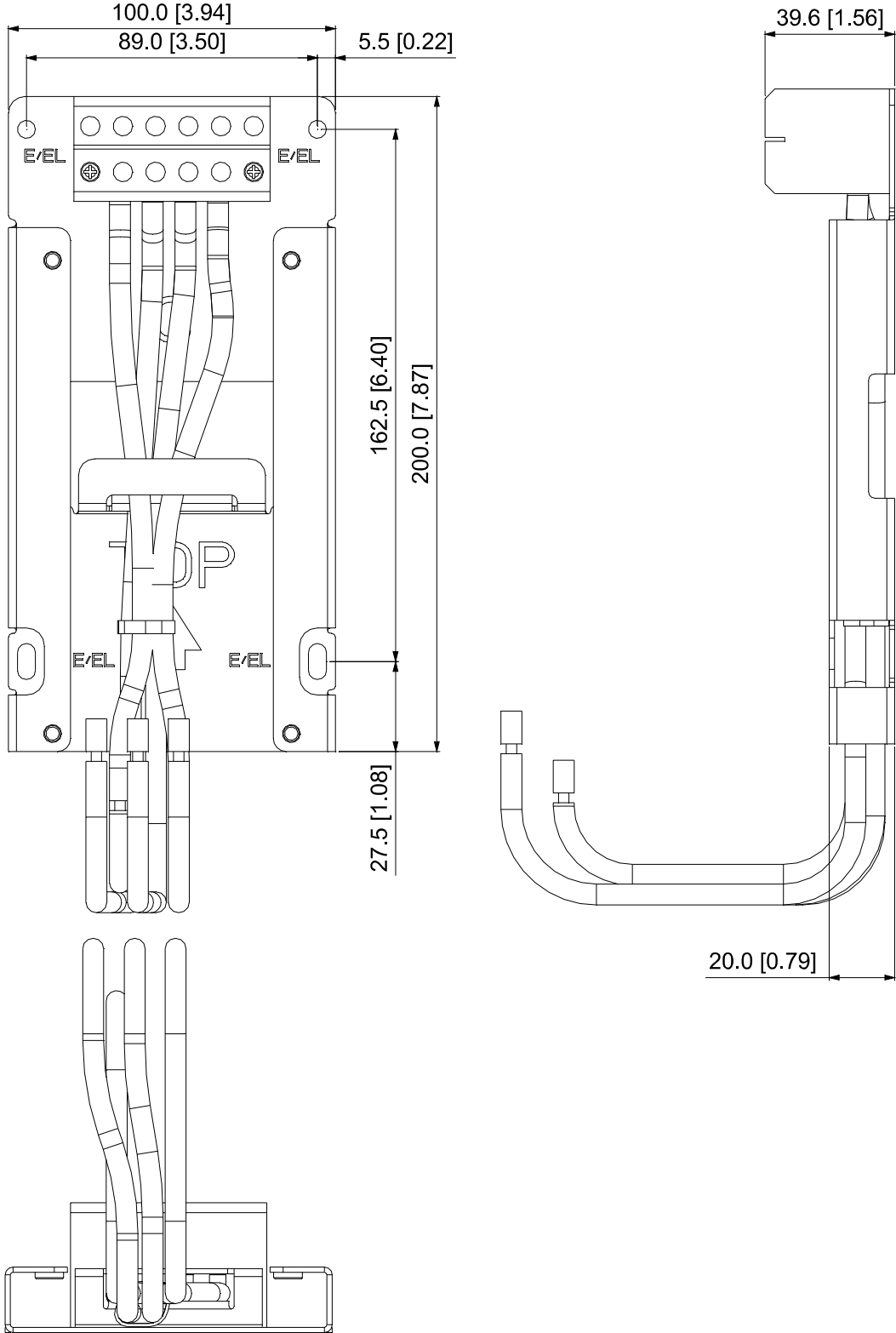
Applicable for Frame A and B



Unit: mm [inch]

Figure 7-13-1

MKM-MAPC:
Applicable for Frame C



Unit: mm [inch]

Figure 7-13-2

Installation

Frame A and B

Screw	Torque
M4	14–16 kg-cm / [12.4–13.9 lb-in.] / [1.37–1.57 Nm]
M5	16–20 kg-cm / [13.9–17.4 lb-in.] / [1.57–1.96 Nm]

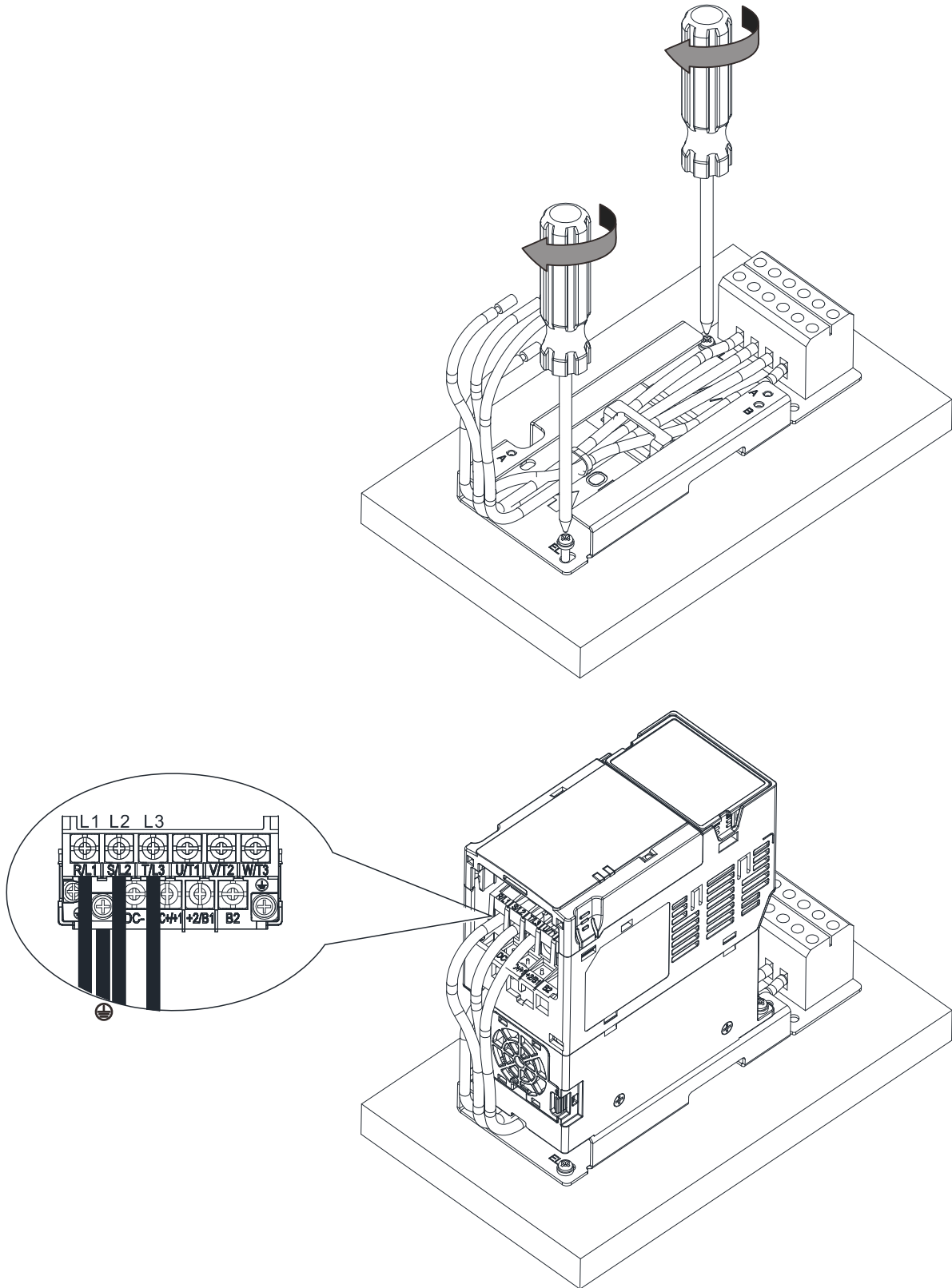


Figure 7-13-3

Frame C

Screw	Torque
M4	14–16 kg-cm / [12.4–13.9 lb-in.] / [1.37–1.57 Nm]
M5	16–20 kg-cm / [13.9–17.4 lb-in.] / [1.57–1.96 Nm]

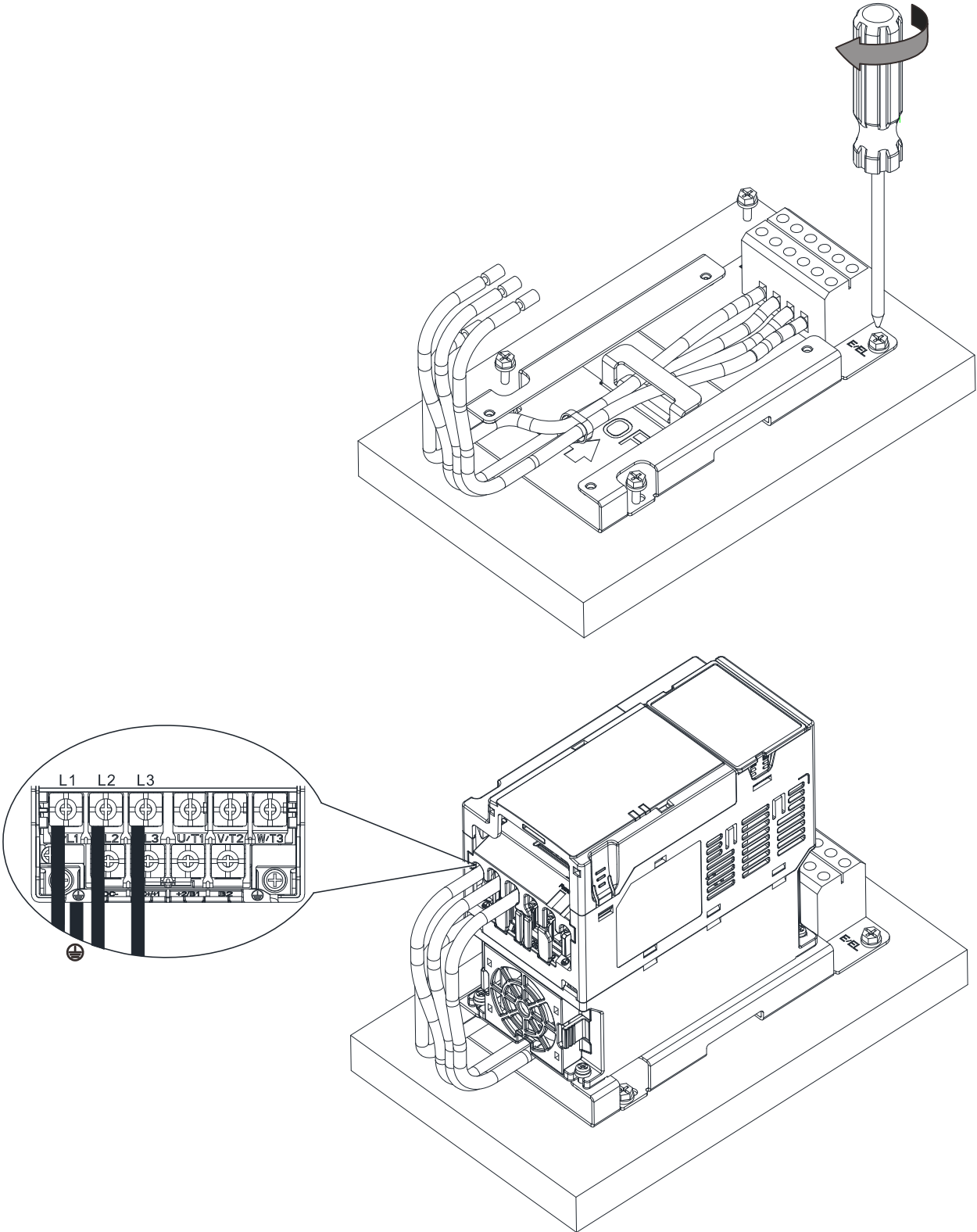


Figure 7-13-4

7-14 Digital Keypad - KPC-CC01

7-14-1 Digital Keypad KPC-CC01

The default communication protocol for MS300 is ASCII 9600, 7, N, 2, but the communication protocol for KPC-CC01 is RTU 19200, 8, N, 2. Therefore, you must set MS300 communication parameters so as to connect with the digital keypad KPC-CC01. The setting steps are as follows:

1. Set Pr.09-00 communication address = 1
2. Set Pr.09-01 COM1 transmission speed (Baud rate) = 19.2 Kbps
3. Set Pr.09-04 COM1 communication protocol = 13: 8N2 (RTU)

KPC-CC01













Communication Interface
RJ45 (socket), RS-485 interface

Installation Method



1. The embedded type can be installed flat on the surface of the control box. The front cover is waterproof.
2. Buy a MKC-KPPK model for wall mounting or embedded mounting. Its protection level is IP66.
3. The maximum RJ45 extension lead is 5 m (16 ft)
4. This keypad can only be used on Delta's motor drive C2000 series, CH2000, CP2000, MS300, MH300 and ME300.

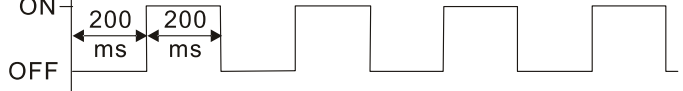
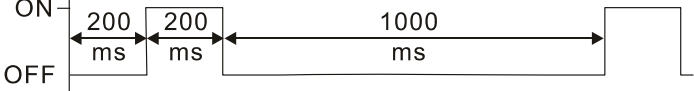

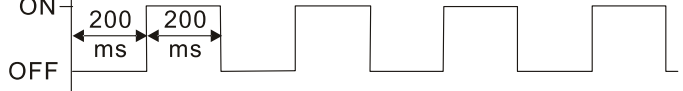
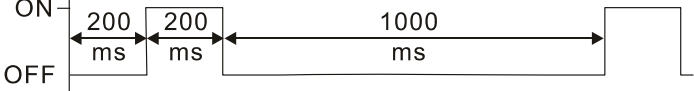

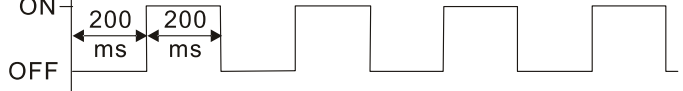
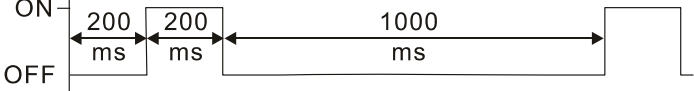

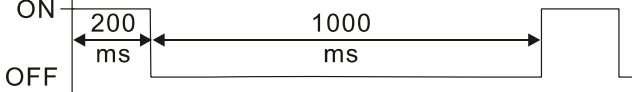
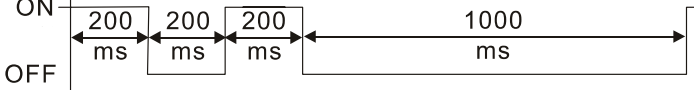
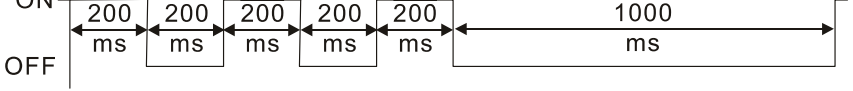

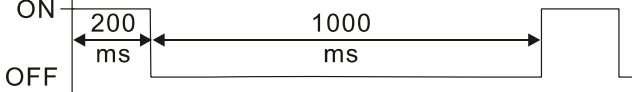
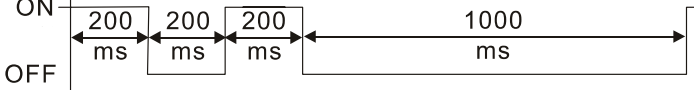
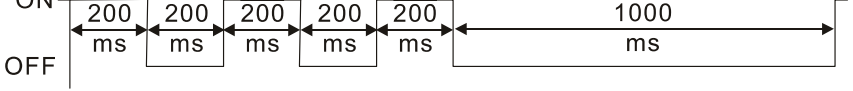

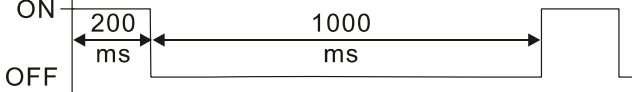
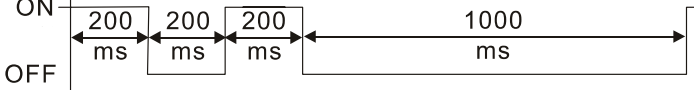
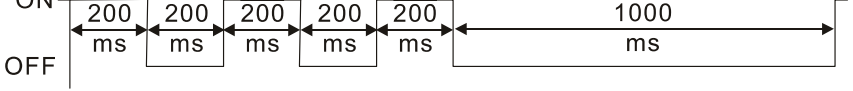

Keypad Function Descriptions

Key	Descriptions
	<p>Start Operation Key</p> <ol style="list-style-type: none"> 1. Only valid when the source of operation command is the keypad. 2. Operates the AC motor drive by the function setting. The RUN LED will be ON. 3. Can be pressed repeatedly at the stop process.
	<p>Stop Command Key. This key has the highest priority in any situation.</p> <ol style="list-style-type: none"> 1. When it receives the STOP command, regardless of whether the AC motor drive is in operation or stop status, the AC motor drive executes the "STOP" command. 2. Use the RESET key to reset the drive after a fault occurs. 3. If you cannot reset after the error: <ol style="list-style-type: none"> a. The condition which triggers the fault is not cleared. After you clear the condition, you can then reset the fault. b. The drive is in fault status when powered on. After you clear the condition, restart and then you can reset the fault.
	<p>Operation Direction Key</p> <ol style="list-style-type: none"> 1. Only controls the operation direction, NOT the drive activation. FWD: forward, REV: reverse. 2. Refer to the LED descriptions for more details.
	<p>ENTER Key</p> <p>Goes to the next menu level. If at the last level, press ENTER to execute the command.</p>
	<p>ESC Key</p> <p>Leaves the current menu and returns to the previous menu; also functions as a return key or cancel key in a sub-menu.</p>

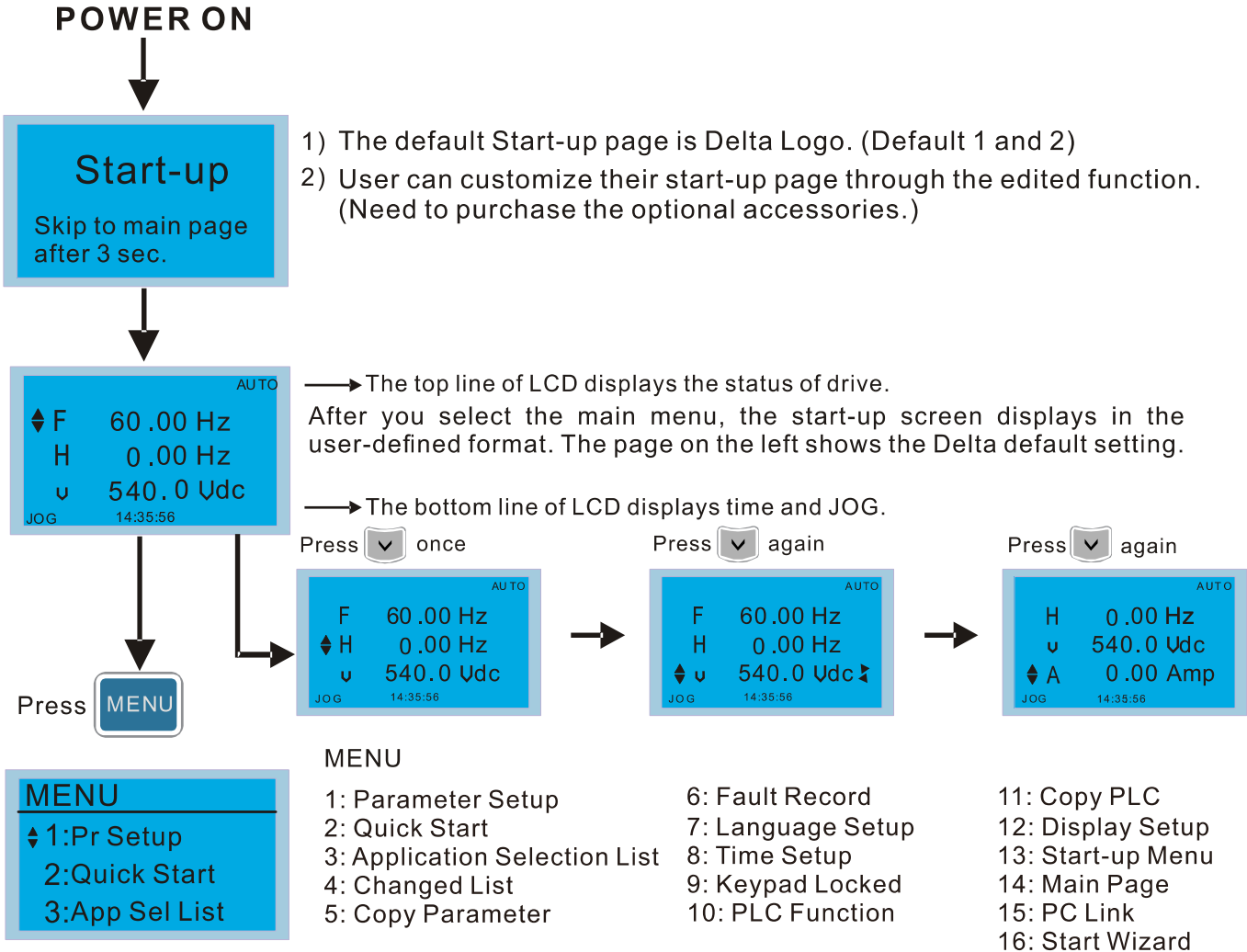
Key	Descriptions																		
	Returns to the main menu. Menu commands: <table border="0"> <tr> <td>1. Parameter Setup</td> <td>7. Language Setup</td> <td>13. Start-up Menu</td> </tr> <tr> <td>2. Quick Start</td> <td>8. Time Setup</td> <td>14. Main Page</td> </tr> <tr> <td>3. Application Selection List</td> <td>9. Keypad Locked</td> <td>15. PC Link</td> </tr> <tr> <td>4. Changed List</td> <td>10. PLC Function</td> <td>16. Start Wizard</td> </tr> <tr> <td>5. Copy Parameter</td> <td>11. Copy PLC</td> <td></td> </tr> <tr> <td>6. Fault Record</td> <td>12. Display Setup</td> <td></td> </tr> </table>	1. Parameter Setup	7. Language Setup	13. Start-up Menu	2. Quick Start	8. Time Setup	14. Main Page	3. Application Selection List	9. Keypad Locked	15. PC Link	4. Changed List	10. PLC Function	16. Start Wizard	5. Copy Parameter	11. Copy PLC		6. Fault Record	12. Display Setup	
1. Parameter Setup	7. Language Setup	13. Start-up Menu																	
2. Quick Start	8. Time Setup	14. Main Page																	
3. Application Selection List	9. Keypad Locked	15. PC Link																	
4. Changed List	10. PLC Function	16. Start Wizard																	
5. Copy Parameter	11. Copy PLC																		
6. Fault Record	12. Display Setup																		
	Direction: Left / Right / Up / Down 1. In the numeric value setting mode, moves the cursor and changes the numeric value. 2. In the menu/text selection mode, selects an item.																		
	Function Key 1. The functions keys have defaults and can also be user-defined. The defaults for F1 and F4 work with the function list below. For example, F1 is the JOG function, and F4 is a speed setting key for adding/deleting user-defined parameters. 2. Other functions must be defined using TPEditor. Download TPEditor software at Delta website at: http://www.deltaww.com/services/DownloadCenter2.aspx?secID=8&pid=2&tid=0&CID=06&itemID=060302&typeID=1&downloadID=&title=-- SelectProduct Series --&dataType=8;&check=1&hl=en-US Select TPEditor version 1.60 or above. Refer to the installation instruction for TPEditor in Section 7-14-3.																		
	HAND Key 1. The parameter settings for the source of the Hand frequency and hand operation define this key. The defaults for both source of Hand frequency and hand operation are the digital keypad. 2. Press the HAND key at STOP, then the setting switches to the hand frequency source and hand operation source. Press HAND key at RUN, and it stops the AC motor drive first (displays AHSP warning), and switches to hand frequency source and hand operation source. 3. Successful mode switching for the KPC-CC01 displays HAND mode on the screen.																		
	AUTO Key 1. The parameter settings for the source of the AUTO frequency and auto operation define this key. The default is the external terminal (source of operation is 4–20 mA). 2. Press the AUTO key at STOP, then the setting switches to the auto frequency source and auto operation source. Press AUTO key at RUN, and it stops the AC motor drive first (displays AHSP warning), and switches to auto frequency source and auto operation source. 3. Successful mode switching for the KPC-CC01 displays AUTO mode on the screen.																		

LED Function Descriptions

LED	Descriptions
	Steady ON: STOP indicator for the AC motor drive. Blinking: the drive is in standby. Steady OFF: the drive does not execute the STOP command.
	Operation Direction LED 1. Green light: the drive is running forward. 2. Red light: the drive is running backward. 3. Flashing light: the drive is changing direction. Operation Direction LED under Torque Mode 1. Green light: when the torque command ≥ 0 , and the motor is running forward. 2. Red light: when the torque command < 0 , and the motor is running backward. 3. Twinkling light: when the torque command < 0 , and the motor is running forward.

LED	Descriptions												
CANopen-RUN	<p>RUN LED:</p> <table border="1"> <thead> <tr> <th data-bbox="341 219 475 282">LED status</th> <th data-bbox="475 219 1458 282">Condition/ State</th> </tr> </thead> <tbody> <tr> <td data-bbox="341 282 475 344">OFF</td> <td data-bbox="475 282 1458 344">CANopen at initial No LED</td> </tr> <tr> <td data-bbox="341 344 475 495">Blinking</td> <td data-bbox="475 344 1458 495"> CANopen at pre-operation  </td> </tr> <tr> <td data-bbox="341 495 475 645">Single flash</td> <td data-bbox="475 495 1458 645"> CANopen at stopped  </td> </tr> <tr> <td data-bbox="341 645 475 795">ON</td> <td data-bbox="475 645 1458 795"> CANopen at operation status  </td> </tr> </tbody> </table>	LED status	Condition/ State	OFF	CANopen at initial No LED	Blinking	CANopen at pre-operation 	Single flash	CANopen at stopped 	ON	CANopen at operation status 		
	LED status	Condition/ State											
	OFF	CANopen at initial No LED											
	Blinking	CANopen at pre-operation 											
	Single flash	CANopen at stopped 											
ON	CANopen at operation status 												
CANopen-ERR	<p>ERR LED:</p> <table border="1"> <thead> <tr> <th data-bbox="341 864 491 902">LED status</th> <th data-bbox="491 864 1458 902">Condition/ State</th> </tr> </thead> <tbody> <tr> <td data-bbox="341 902 491 936">OFF</td> <td data-bbox="491 902 1458 936">No Error</td> </tr> <tr> <td data-bbox="341 936 491 1104">Single flash</td> <td data-bbox="491 936 1458 1104"> One message fail  </td> </tr> <tr> <td data-bbox="341 1104 491 1261">Double flash</td> <td data-bbox="491 1104 1458 1261"> Guarding fail or heartbeat fail  </td> </tr> <tr> <td data-bbox="341 1261 491 1429">Triple flash</td> <td data-bbox="491 1261 1458 1429"> SYNC fail  </td> </tr> <tr> <td data-bbox="341 1429 491 1525">ON</td> <td data-bbox="491 1429 1458 1525"> Bus off  </td> </tr> </tbody> </table>	LED status	Condition/ State	OFF	No Error	Single flash	One message fail 	Double flash	Guarding fail or heartbeat fail 	Triple flash	SYNC fail 	ON	Bus off 
	LED status	Condition/ State											
	OFF	No Error											
	Single flash	One message fail 											
	Double flash	Guarding fail or heartbeat fail 											
	Triple flash	SYNC fail 											
ON	Bus off 												

7-14-2 Function of Digital Keypad KPC-CC01



NOTE

1. Start-up screen can only display pictures, not animation.
2. When powered ON, it displays the start-up screen then the main screen. The main screen displays Delta's default setting F/H/A/U. You can set the display order with Pr.00-03 (Start-up display). When you select the U screen, use the left/right keys to switch between the items, and set the display order for the U screen with Pr.00-04 (User display).

Display Icons

Start-up

- ▼ 1:Default 1 ●
- 2:Default 2
- 3:User define

Pr Setup

- ▼ 00:SYSTEM PAR
- 01: BASIC PARA
- 02: DIGITAL IN/▶

- : present setting
- ▼ : Scroll down the page for more options
- Press for more options
- ▶ : show complete sentence
- Press for complete information

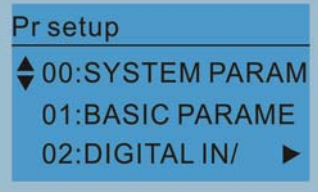
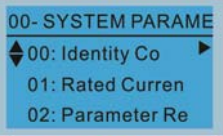
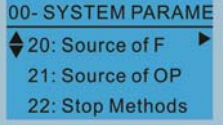
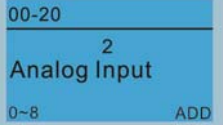
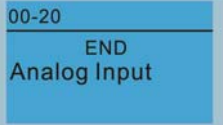
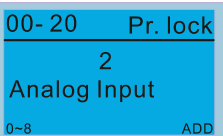
Display items

MENU

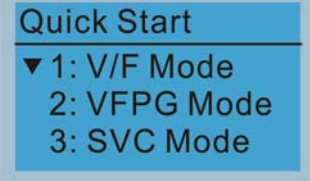
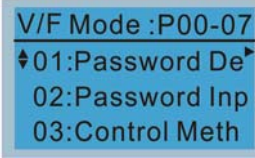
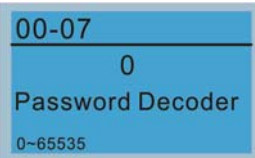
- ◆ 1: Pr Setup
- 2: Quick Start
- 3: App Sel List

- MENU**
- | | | |
|-------------------------------|-------------------|-------------------|
| 1: Parameter Setup | 6: Fault Record | 11: Copy PLC |
| 2: Quick Start | 7: Language Setup | 12: Display Setup |
| 3: Application Selection List | 8: Time Setup | 13: Start-up Menu |
| 4: Changed List | 9: Keypad Locked | 14: Main Page |
| 5: Copy Parameter | 10: PLC Function | 15: PC Link |
| | | 16: Start Wizard |

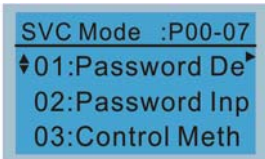
1. Parameter Setup

 <p>Press ENTER to select.</p> <p>Press ▲ ▼ to select the parameter group.</p> <p>Once you select a parameter group, press ENTER to go into that group.</p>	<p>Example: Setup source for the master frequency command.</p>  <p>In the Group 00 Motor Drive Parameter, use the Up/Down keys to select parameter 20: Auto Frequency Command.</p>  <p>Press ENTER to go to this parameter's setting menu.</p>  <p>Use the Up/Down keys to choose a setting. For example: choose 2 Analog Input, and then press ENTER key.</p>  <p>After you press ENTER, END is displayed which means that the parameter setting is done.</p>  <p>NOTE: When parameter lock / password protection function is enabled, it displays "Pr. lock" on the upper right corner of the keypad. The parameter cannot be written or is protected by the password under this circumstances.</p>
---	--

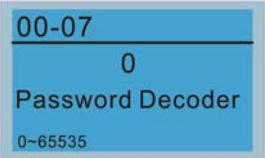
2. Quick Start

 <p>Press ENTER to select.</p> <p>Quick Start:</p> <ol style="list-style-type: none"> 1. V/F Mode 2. SVC Mode 3. My Mode 	<p>1. VF Mode</p>  <p>01:Password Decoder</p>  <ol style="list-style-type: none"> 1. Parameter protection password input (Pr.00-07) 2. Parameter protection password setting (Pr.00-08) 3. Speed control mode (Pr.00-11) 4. Load selection (Pr.00-16) 5. Carrier frequency (Pr.00-17) 6. Master frequency command (AUTO) source (Pr.00-20) 7. Operation command (AUTO) source (Pr.00-21) 8. Stop method (Pr.00-22) 9. Digital keypad STOP function (Pr.00-32) 10. Max. operation frequency (Pr.01-00) 11. Output frequency of motor 1 (Pr.01-01) 12. Output voltage of motor 1 (Pr.01-02) 13. Mid-point frequency 1 of motor 1 (Pr.01-03) 14. Mid-point voltage 1 of motor 1 (Pr.01-04) 15. Mid-point frequency 2 of motor 1 (Pr.01-05) 16. Mid-point voltage 2 of motor 1 (Pr.01-06) 17. Min. output frequency of motor 1 (Pr.01-07) 18. Min. output voltage of motor 1 (Pr.01-08) 19. Output frequency upper limit (Pr.01-10) 20. Output frequency lower limit (Pr.01-11) 21. Acceleration time 1 (Pr.01-12) 22. Deceleration time 1 (Pr.01-13) 23. Over-voltage stall prevention (Pr.06-01) 24. Derating protection (Pr.06-55) 25. Software brake level (Pr.07-00) 26. Speed tracking during start-up (Pr.07-12) 27. Emergency stop (EF) & force to stop selection (Pr.07-20) 28. Torque command filter time (Pr.07-24) 29. Slip compensation filter time (Pr.07-25)
---	--

2. SVC Mode



01: Password Decoder

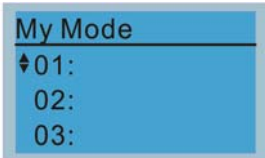


- 30. Torque compensation gain (Pr.07-26)
- 31. Slip Compensation Gain (Pr.07-27)

Items

1. Parameter protection password input (Pr.00-07)
2. Parameter protection password setting (Pr.00-08)
3. Speed control mode (Pr.00-11)
4. Load selection (Pr.00-16)
5. Carrier frequency (Pr.00-17)
6. Master frequency command (AUTO) source (Pr.00-20)
7. Operation command (AUTO) source (Pr.00-21)
8. Stop method (Pr.00-22)
9. Digital keypad STOP function (Pr.00-32)
10. Max. operation frequency (Pr.01-00)
11. Output frequency of motor 1 (Pr.01-01)
12. Output voltage setting of motor 1 (Pr.01-02)
13. Min. output frequency of motor 1 (Pr.01-07)
14. Min. output voltage of motor 1 (Pr.01-08)
15. Output frequency upper limit (Pr.01-10)
16. Output frequency lower limit (Pr.01-11)
17. Acceleration time 1 (Pr.01-12)
18. Deceleration time 1 (Pr.01-13)
19. Full-load current for induction motor 1 (Pr.05-01)
20. Rated power for induction motor 1 (Pr.05-02)
21. Rated speed for induction motor 1 (Pr.05-03)
22. Number of poles for induction motor 1 (Pr.05-04)
23. No-load current for induction motor 1 (Pr.05-05)
24. Over-voltage stall prevention (Pr.06-01)
25. Over-current stall prevention during acceleration (Pr.06-03)
26. Derating protection (Pr.06-55)
27. Software brake level (Pr.07-00)
28. Emergency stop (EF) & Force to stop selection (Pr.07-20)
29. Torque command filter time (Pr.07-24)
30. Slip compensation filter time (Pr.07-25)
31. Slip compensation gain (Pr.07-27)

3. My Mode



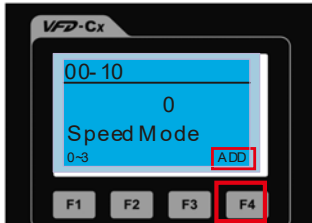
Press F4 in parameter setting screen to save the parameter to My Mode. To delete or correct the parameter, select this parameter and press F4 for DEL in

Items

You can save 01–32 sets of parameters (Pr).

Setup process

1. Go to Parameter Setup function. Press ENTER to select the parameter to use. There is an ADD in the bottom right corner of the screen. Press F4 to add this parameter to My Mode.



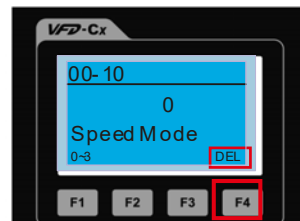
the bottom right corner.

00-10
Press ENTER to Save MyMode

- The parameter (Pr) displays in My mode if it is properly saved. To correct or to delete this parameter, press F4 for DEL.

My Mode :P00-10
01: Control Met
02: MAX Output
03:

- To delete a parameter, go to My Mode and select the parameter to delete. Press ENTER to enter the parameter setting screen. DEL appears in the bottom left corner of the screen. Press F4 to delete this parameter from My Mode.



00-10
Press ENTER to Delete MyMode

- After you press ENTER to delete <01 Control Mode>, the <02 Maximum Operating Frequency > automatically replaces <01 Control Mode>.

My Mode :P01-00
01: MAX Output
02:
03:

3. Application Selection List

App Sel List
No Function
List PrNum =000
ENTER or ESC

This function enables you to select application and its parameter sets.

Example:

In the menu content, select 3: Application Selection List

MENU
1:Pr Setup
2:Quick Start
3:App Sel List

Press ENTER to go into the Application Selection List

13-00
0
No Function
0~10



Select Application

13-00
3
Fan
0~10

Press ENTER to enter the application selection screen, and the selected application industry is "Fan".

App Sel List
Fan
List PrNum =033
ENTER or ESC

Press ENTER to enter the Fan application screen.

Map to : P00-11
◆01: Velocity Mo ▶
02: Load Selecti
03: Carrier FREQ

Press the Up/Down keys to select the parameter to set.

Map to : P00-11
◆01: Velocity Mo ▶
02: Load Selecti
03: Carrier FREQ

➔

Map to : P07-33
31: Momentary Po
32: Auto Restart
◆33: Reset Resta ▶

00-16
0
Light duty
0~1

Select 0: Light duty according to your needs, and then press ENTER.

4. Changed List

Changed List
Changed Pr
List PrNum =026
ENTER or ESC

This function records the parameters you have changed.
Example:
Set Pr.13-00 Application Selection = 3: Fan

13-00
0
No Function
0~10

➔

13-00
3
Fan
0~10

Enter the changed list screen. List PrNum=026 means that there are 26 parameters that have been changed.

Changed List
Changed Pr
List PrNum =026
ENTER or ESC

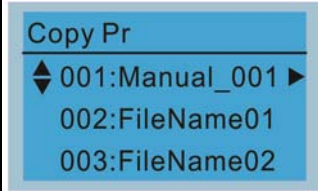
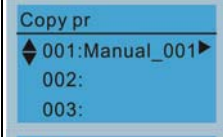
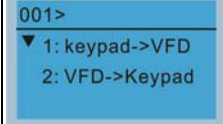
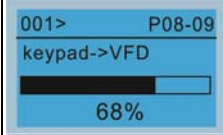
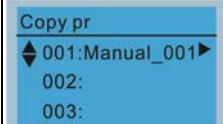
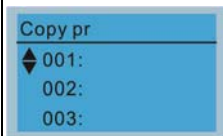
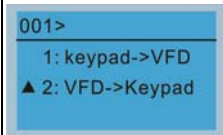
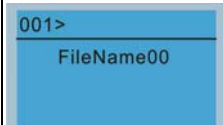
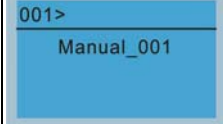
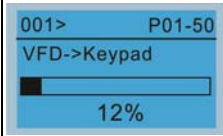
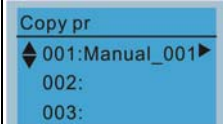
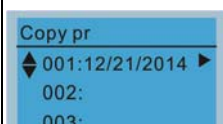

Press ENTER to enter the changed list screen.

Map to : P00-17
◆01: Carrier FREQ ▶
02: Source of FR
03: Source of OP



Use the Up / Down keys to select the parameters to check or to change.
Press ENTER to enter the parameter.

00-17 KHz
8
Carrier FREQ
2~15

5. Copy Parameter

	<p>Four groups of parameters are available to copy. The steps are shown in the example below. Example: parameter saved in the motor drive.</p>
<p>Press ENTER to go to 001–004 content storage</p>	 <p>1. Go to Copy Parameter 2. Select the parameter group to copy and press ENTER.</p>
	 <p>1. Select 1: keypad →VFD. 2. Press ENTER to go to the “keypad→VFD” screen.</p>
	 <p>Begin copying parameters until it is done.</p>
	 <p>After copying is done, the keypad automatically returns to this screen.</p>
	<p>Example: parameter saved in the keypad.</p>
	 <p>1. Go to Copy parameter 2. Select the parameter group to copy and press ENTER.</p>
	 <p>Press ENTER to go to the “VFD→keypad” screen.</p>
	 <p>Press the Up / Down keys to select a symbol. Press the Left / Right keys to move the cursor to select a file name.</p>
	<p>String & Symbol Table: ! " # \$ % & ' () * + , - . / 0 1 2 3 4 5 6 7 8 9 : ; < = > ? @ A B C D E F G H I J K L M N O P Q R S T U V W X Y Z [\] ^ _ ` a b c d e f g h i j k l m n o p q r s t u v w x y z { } ~</p>
	 <p>After you confirm the file name, press ENTER.</p>
	 <p>Begin copying parameters until it is done.</p>
	 <p>After copying is done, the keypad automatically returns to this screen.</p>
	 <p>Press the Right key to see the date of the parameters copied.</p>
	 <p>Press the Right key to see the time of the parameters copied.</p>

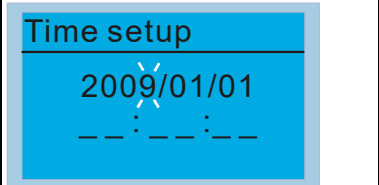
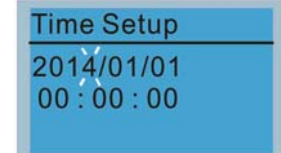

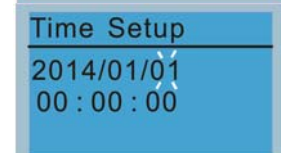
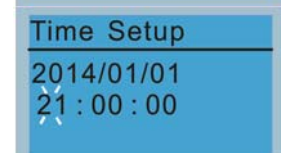
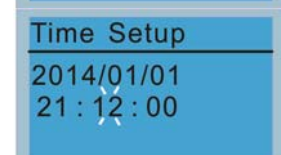
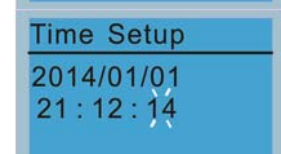
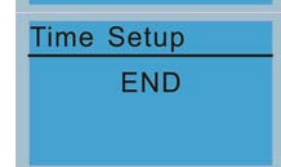
6. Fault Record


<div data-bbox="193 165 507 349" style="border: 1px solid black; padding: 5px;"> <p>Fault record</p> <p>▼ 1:oL</p> <p>2:ovd</p> <p>3:GFF</p> </div> <p data-bbox="188 383 549 488">Press  to see an error record's details.</p>	<p data-bbox="571 165 1489 315">Able to store 6 error codes (Keypad V1.02 and previous versions) Able to store 30 error codes (Keypad V1.20 and later version) The most recent error record shows as the first record. Choose an error record to see details such as date, time, frequency, current, voltage, and DC bus voltage.</p> <div data-bbox="576 315 794 450" style="border: 1px solid black; padding: 2px;"> <p>Fault record</p> <p>▼ 1:oL</p> <p>2:ovd</p> <p>3:GFF</p> </div> <p data-bbox="820 349 1437 409">Press the Up / Down keys to select an error record. Press ENTER to see that error record's details.</p> <div data-bbox="576 450 794 573" style="border: 1px solid black; padding: 2px;"> <p>1: oL</p> <p>◆ Current: 79.57</p> <p>Voltage: 189.2</p> <p>BUS Voltage:409.5</p> </div> <p data-bbox="820 501 1461 595">Press the Up / Down keys to scroll through an error record's details such as date, time, frequency, current, voltage, and DC bus voltage.</p> <div data-bbox="576 573 794 696" style="border: 1px solid black; padding: 2px;"> <p>1: oL</p> <p>◆ Date: 01/20/2014</p> <p>Time: 21:02:24</p> <p>Outfreq: 32.61</p> </div> <p data-bbox="820 624 1385 654">Press ESC to return to the Fault record screen.</p> <div data-bbox="576 696 794 831" style="border: 1px solid black; padding: 2px;"> <p>Fault record</p> <p>1: oL</p> <p>◆ 2:ovd</p> <p>3:GFF</p> </div> <p data-bbox="820 719 1461 837">Press the Up / Down keys to select the next error code. After selecting an error code, press ENTER to see that error record's details.</p> <div data-bbox="576 831 794 965" style="border: 1px solid black; padding: 2px;"> <p>2: ovd</p> <p>◆ Current: 79.57</p> <p>Voltage: 189.2</p> <p>BUS Voltage:409.5</p> </div> <p data-bbox="820 931 1461 1021">Press the Up / Down keys to see an error record's details such as date, time, frequency, current, voltage, and DC bus voltage.</p> <div data-bbox="576 965 794 1099" style="border: 1px solid black; padding: 2px;"> <p>2: ovd</p> <p>◆ Date: 01/20/2014</p> <p>Time: 21:02:24</p> <p>Outfreq: 32.61</p> </div>
<div data-bbox="608 1111 754 1149" style="border: 1px solid black; padding: 2px;">  NOTE </div> <p data-bbox="603 1155 1489 1263">The AC motor drive actions are recorded and saved to the KPC-CC01. When you remove the KPC-CC01 and connect it to another AC motor drive, the previous fault records are not deleted. The new fault records of the new AC motor drive continue to be added to the KPC-CC01.</p>	

7. Language Setup

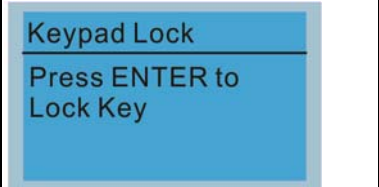


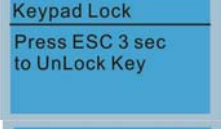

<div data-bbox="193 1346 507 1525" style="border: 1px solid black; padding: 5px;"> <p>Language</p> <p>▼ 1:English</p> <p>2:繁體中文</p> <p>3:简体中文</p> </div> <p data-bbox="188 1532 549 1619">Press the Up / Down keys to select the language, and then press ENTER.</p>	<p data-bbox="571 1346 1489 1406">The language setting option is displayed in the language of your choice. Language setting options:</p> <table border="0" data-bbox="576 1413 1198 1592"> <tr> <td>1. English</td> <td>5. Русский</td> </tr> <tr> <td>2. 繁體中文</td> <td>6. Español</td> </tr> <tr> <td>3. 简体中文</td> <td>7. Português</td> </tr> <tr> <td>4. Türkçe</td> <td>8. français</td> </tr> </table>	1. English	5. Русский	2. 繁體中文	6. Español	3. 简体中文	7. Português	4. Türkçe	8. français
1. English	5. Русский								
2. 繁體中文	6. Español								
3. 简体中文	7. Português								
4. Türkçe	8. français								

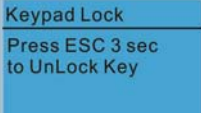

8. Time Setup

		<p>Press the Up / Down keys to set the Year</p>
<p>Press the Left / Right keys to select Year, Month, Day, Hour, Minute or Seconds to change.</p>		<p>Press the Up / Down keys to set the Month</p>
		<p>Press the Up / Down keys to set the Day</p>
		<p>Press the Up / Down keys to set the Hour</p>
		<p>Press the Up / Down keys to set the Minute</p>
		<p>Press the Up / Down keys to set the Second</p>
		<p>Press ENTER to confirm the Time Setup.</p>

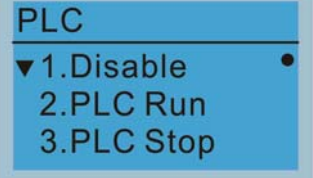
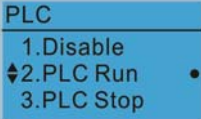

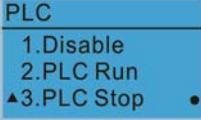

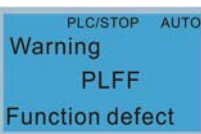
 **NOTE**
 Limitation: The charging process for the keypad super capacitor finishes in about 6 minutes. **When the digital keypad is removed, the time setting is saved for 7 days.** After 7 days, you must reset the time.

9. Keypad Locked

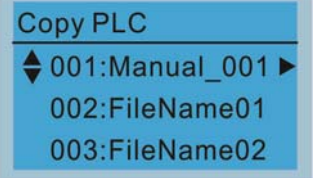
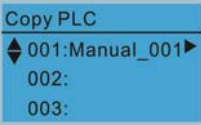
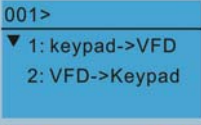
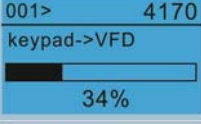
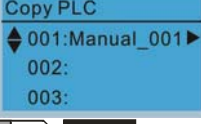
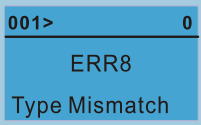
	<p>Lock the keypad Use this function to lock the keypad. The main screen does not display "keypad locked" when the keypad is locked; however, it displays the message "Press ESC 3 sec to UnLock Key" when you press any key.</p>	
<p>Press  to lock</p>		<p>When the keypad is locked, the main screen does not indicate the lock status.</p>
		<p>Press any key on the keypad; a message displays as shown on the left.</p>
		<p>If you do not press the ESC key, the keypad automatically returns to this screen.</p>

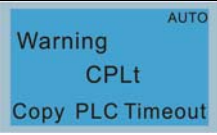
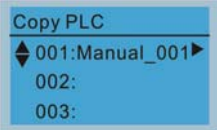

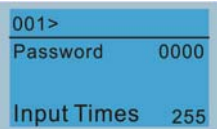
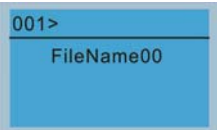
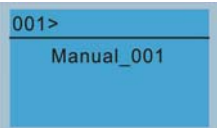
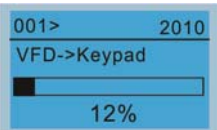
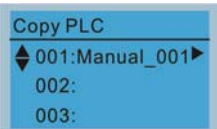
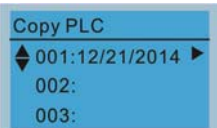
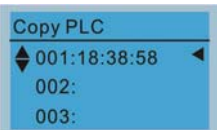
		<p>Press any key on the keypad; a message displays as shown on the left.</p>
		<p>Press ESC for 3 seconds to unlock the keypad; the keypad returns to this screen. All keys on the keypad is functional. Turning the power off and on does not lock the keypad.</p>

10. PLC Function

 <p>Press the Up/Down keys to select a PLC function, and then press ENTER.</p>	<p>When activating and stopping the PLC function (choosing 2: PLC Run or 3: PLC Stop), the PLC status displays on main screen (Delta default setting).</p>  <p>Choose option 2: PLC Run to enable the PLC function.</p>  <p>The default on the main screen displays the PLC / RUN status message.</p>  <p>Choose option 3: PLC Stop to disable the PLC function.</p>  <p>The default on the main screen displays the PLC / STOP status message.</p>  <p>If the PLC program is not available in the control board, the PLFF warning displays when you choose option 2 or 3. In this case, choose option 1: Disable to clear PLFF warning.</p>
---	--

11. Copy PLC

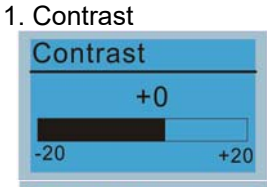
	<p>Four groups of parameters are available to copy. The steps are shown in the example below. Example: PLC program saved in the motor drive.</p>  <p>1. Go to Copy PLC 2. Select the PLC program to copy and press ENTER.</p>  <p>1. Select 1: keypad→VFD. 2. Press ENTER to go to the “keypad→VFD” screen.</p>  <p>Begin copying the PLC program until it is done.</p>  <p>After copying is done, the keypad automatically returns to this screen.</p> <p>NOTE</p>  <p>If you select “Option 1: keypad→VFD”, check if the PLC program is built-in to the KPC-CC01 keypad. If the PLC program is not available in the keypad when you select “Option 1: keypad→VFD”, an “ERR8 Warning: Type Mismatch” displays on the screen.</p>
---	---

	<p>If you unplug the keypad and plug it back while copying the PLC program, the screen displays a CPLt warning.</p>
<p>Example: PLC program saved in the keypad.</p>	
	<ol style="list-style-type: none"> 1. Go to Copy PLC. 2. Select the PLC program to copy and press ENTER.
	<p>Press ENTER to go to the “VFD→keypad” screen.</p>
	<p>If the WPLSoft editor is installed and uses password, enter the password to save the file to the keypad.</p>
	<p>Press the Up/ Down keys to select a symbol. Press the Left/ Right keys to move the cursor to select a file name.</p>
<p>String & Symbol Table: ! " # \$ % & ' () * + , - . / 0 1 2 3 4 5 6 7 8 9 : ; < = > ? @ A B C D E F G H I J K L M N O P Q R S T U V W X Y Z [\] ^ _ ` a b c d f g h i j k l m n o p q r s t u v w x y z { } ~</p>	
	<p>After you confirm the file name, press ENTER.</p>
	<p>Begin copying the PLC program until it is done.</p>
	<p>After copying is done, the keypad automatically returns to this screen.</p>
	<p>Press the Right key to see the date of the program copied.</p>
	<p>Press the Right key to see the time of the program copied.</p>

12. Display setup



Press **ENTER** to go to the setting screen.



Press the Up / Down keys to adjust the setting value.



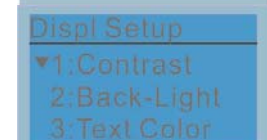
For example, increase Contrast to +10.



After you set the value, press ENTER to see the screen display after contrast is adjusted to +10.



Then press ENTER and decrease the Contrast to -10.

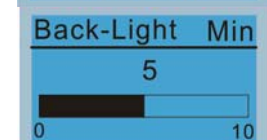


Press ENTER to see screen display after contrast is adjusted to -10.

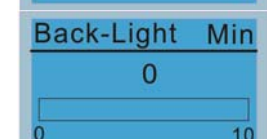
2. Back-light



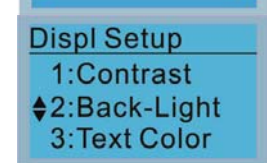
Press ENTER to go to the Back-Light Time Setting screen.



Press the Up / Down keys to adjust the setting value.

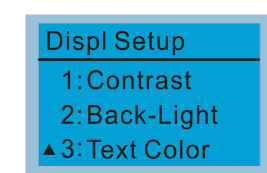


When the setting value is 0 Min, the backlight remains on.

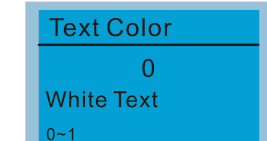


When the setting value is 10 Min, the backlight turns off in 10 minutes.

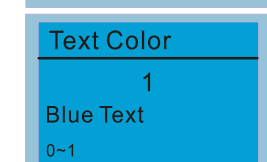
3. Text Color



Press ENTER to go to the Text Color Setting screen.






The default value is White Text.




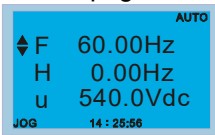
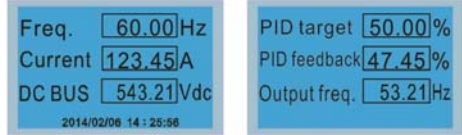
Press the Up / Down keys to adjust the setting value, and then press ENTER.

	Displ Setup ▼ 1: Contrast 2: Back-Light 3: Text Color	The setting value changes to Blue Text.
--	--	---

13. Start-up

Start-up ▼ 1.Default 1 ● 2.Default 2 3.User Define	<p>1. Default 1 DELTA LOGO</p>  <p>2. Default 2 DELTA Text</p>  <p>3. User Define: an optional accessory is required (TPEditor & USB / RS-485 Communication Interface-IFD6530) to design your own start-up screen. If the editor accessory is not installed, the User Define option displays a blank screen.</p>  <p><u>USB/RS-485 Communication Interface-IFD6530</u> Refer to Chapter 07 Optional Accessories for more details.</p> <p><u>TPEditor</u> Download TPEditor software at Delta website at http://www.deltaww.com/services/DownloadCenter2.aspx?secID=8&pid=2&tid=0&CID=06&itemID=060302&typeID=1&downloadID=,&title=-- Select Product Series --&dataType=8;&check=1&hl=en-US Select TPEditor version 1.60 or above. Refer to the installation instruction for TPEditor in Section 7-14-3.</p>
---	---

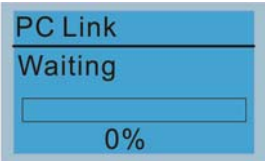
14. Main page

Main Page ▼ 1.Default ● 2.User Define Default screen and editable screen are available. Press  to select.	<p>1. Default page</p>  <p>F 60.00Hz >>> H >>> A >>> U (options rotate)</p> <p>2. User Define: an optional accessory is required (TPEditor & USB / RS-485 Communication Interface-IFD6530) to design your own main screen. If the editor accessory is not installed, the User Define option displays a blank screen.</p>  <p><u>USB/RS-485 Communication Interface-IFD6530</u> Refer to Chapter 07 Optional Accessories for more details.</p> <p><u>TPEditor</u> Download TPEditor software at Delta website at http://www.deltaww.com/services/DownloadCenter2.aspx?secID=8&pid=2&tid=0&CID=06&itemID=060302&typeID=1&downloadID=,&title=-- Select Product Series --&dataType=8;&check=1&hl=en-US Select TPEditor version 1.60 or above. Refer to the installation instruction for TPEditor in Section 7-14-3.</p>
--	--

15. PC Link

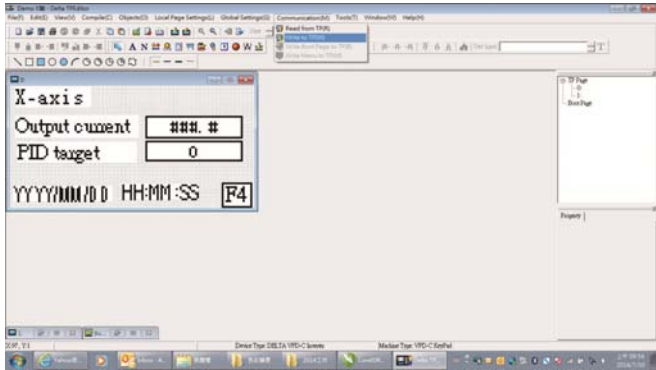
- PC Link
- ▼1. TPEditor
- 2. VFDSOft

1. TPEditor: This function enables you to connect the keypad to a computer then download and edit user-defined screens.

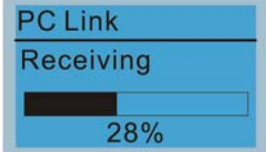
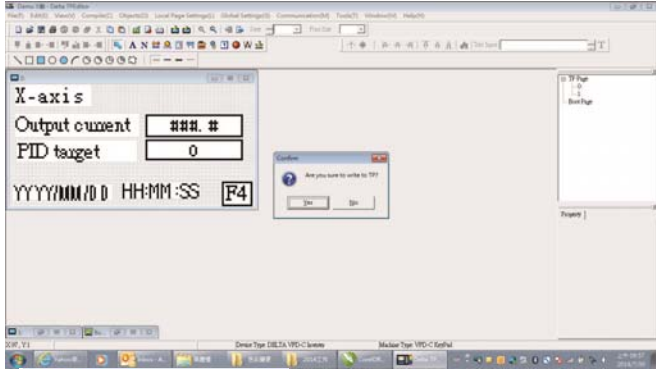


Press ENTER to go to Waiting to connect to PC screen.

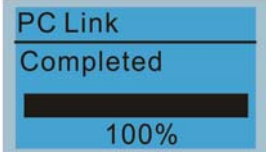
In TPEditor, from the **Communication** menu, choose **Write to HMI**.



In the **Confirm** message box, click **YES**.



The software starts downloading screens to edit to the KPC-CC01.

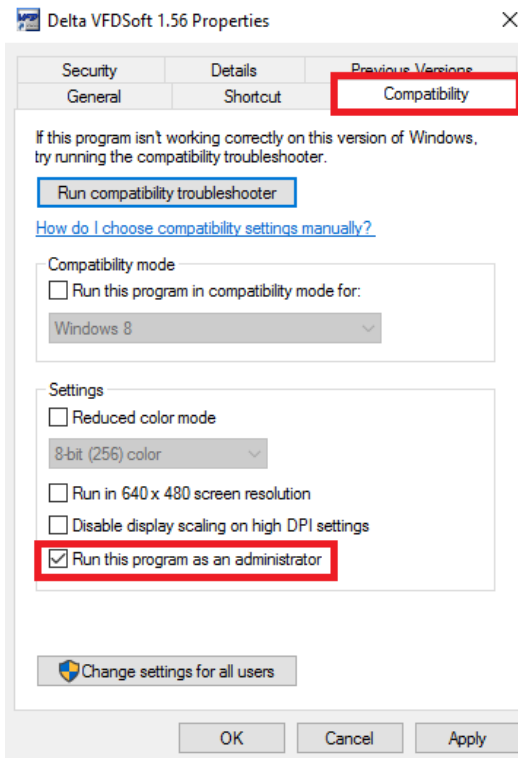


Download completed.

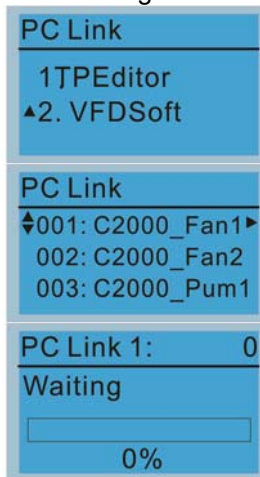
2. VFDSOft: This function enables you to link to the VFDSOft then upload the parameters 1-4 you have saved in the KPC-CC01.

NOTE

If the Operation System (OS) of your computer is Windows 10, right-click the VFDSOft icon to enter the **Property**. Then, click the **Compatibility** tab and select the **Run the program as an administrator** checkbox. (as shown in the red frames in the figure below)



3. Connecting the KPC-CC01 to a computer

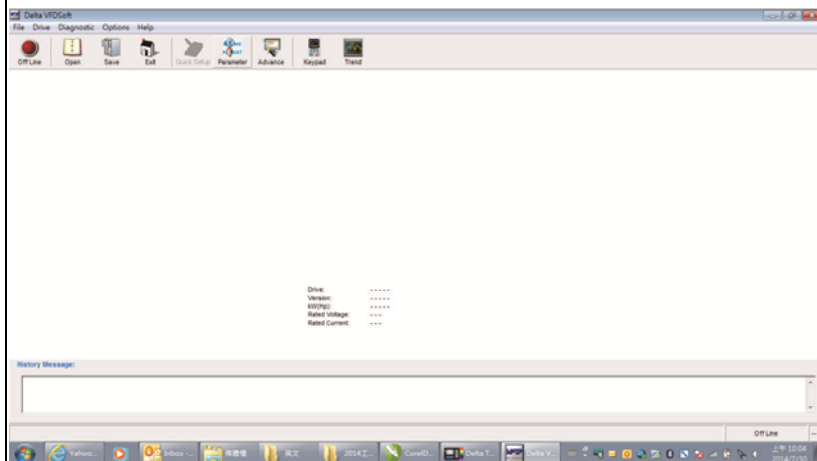


Select 2: VFDSOft, and then press ENTER.

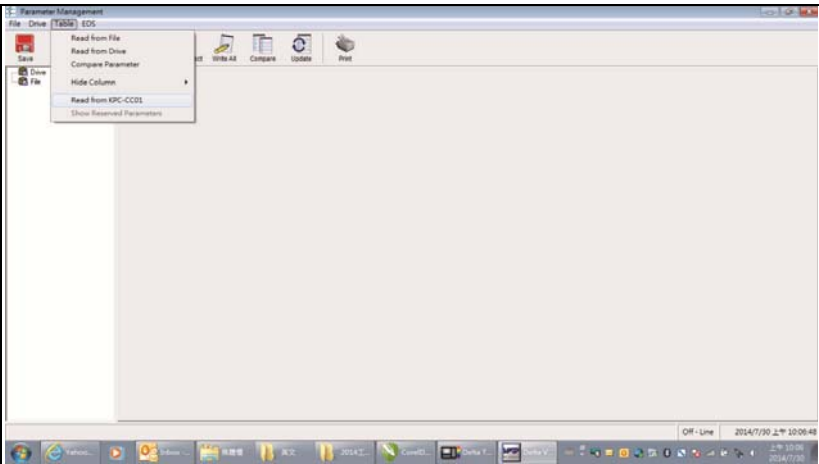
Press the Up / Down keys to select a parameter group to upload to the VFDSOft.

Press ENTER to go to Waiting to connect to PC screen.

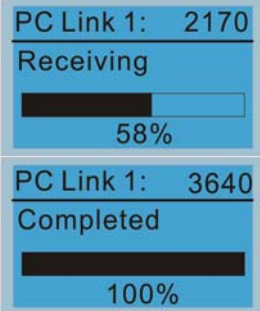
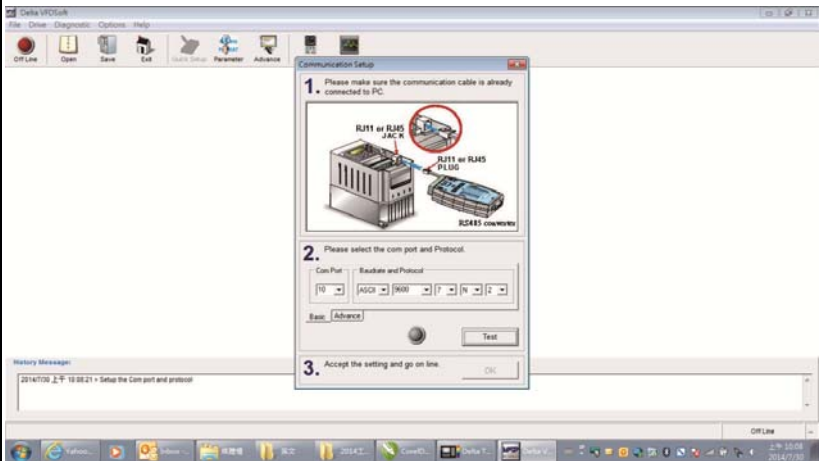
Open VFDSOft and click **Parameter** on the toolbar.



In the Parameter Management, from the **Table** menu, choose **Read from KPC-CC01**.



Choose the correct communication port and click **OK**.



Start to upload parameters to VFDSOft.

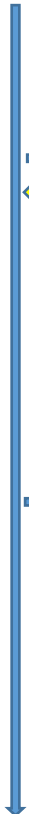
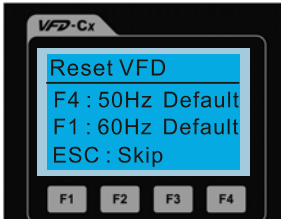
Uploading parameter is completed.

Before using the user-defined start-up screen and user-defined main screen, you must preset the start-up screen and the main screen as user-defined. If you do not download the user-defined screen to the KPC-CC01, the start-up screen and the main screen are blank.

16. Start Wizard

F1 : Next ;

F1 : Back



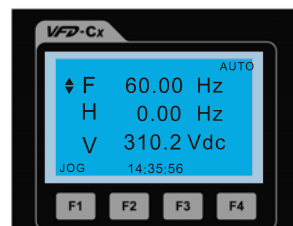
F1

F1

MENU

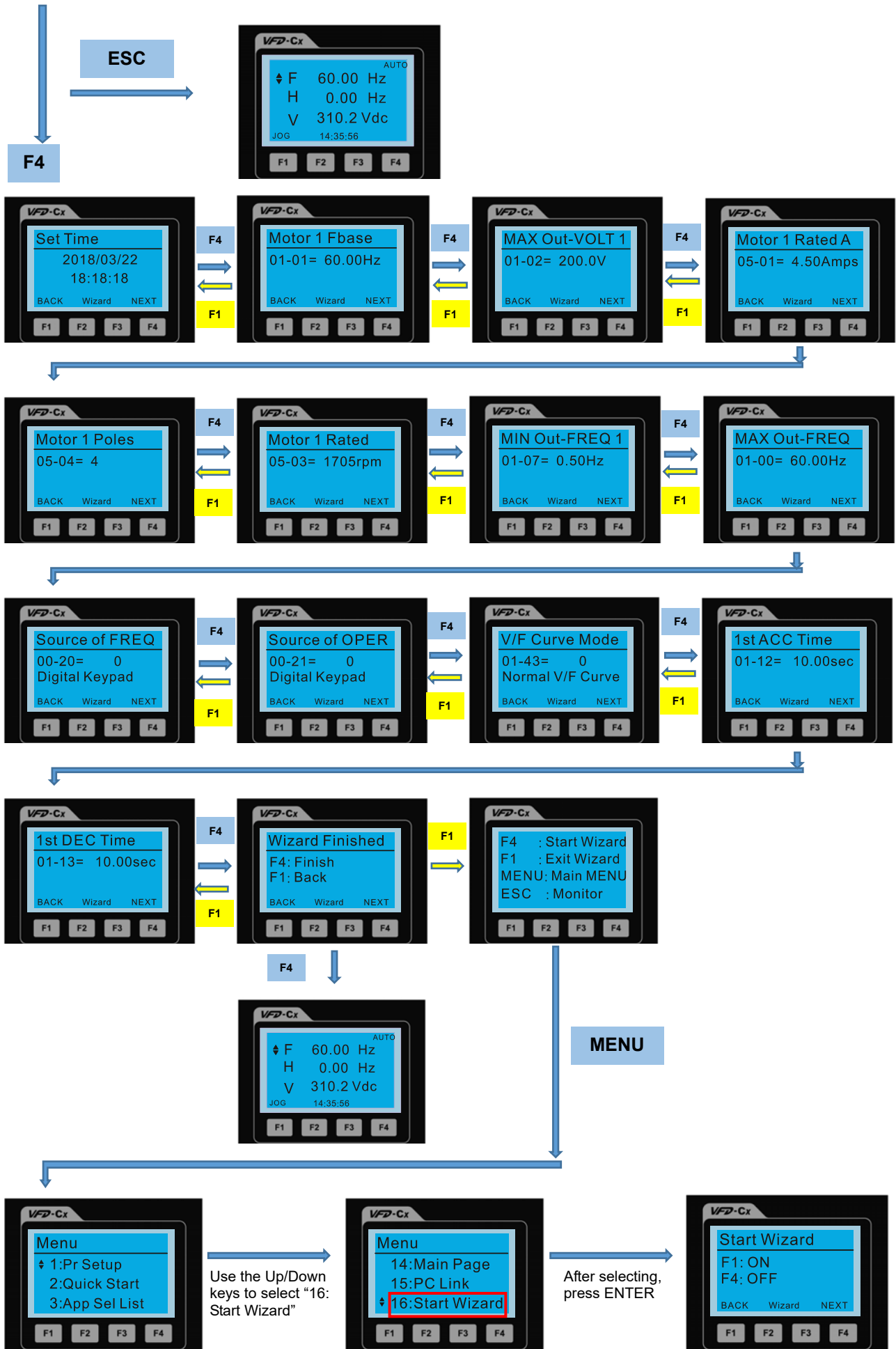


F4



NOTE: The Start Wizard dose not display when powered on next time.

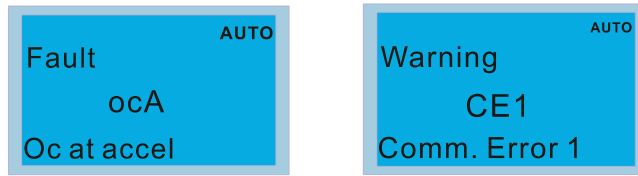




NOTE: The “16: Start Wizard” on the menu is to set whether the screen shows the start wizard when starting the drive.

Other displays

When a fault occurs, the screen display shows the fault or warning:



1. Press the STOP / RESET key to reset the fault code. If there is no response, contact your local distributor or return the unit to the factory. To view the fault DC bus voltage, output current and output voltage, press MENU and then choose 6: Fault Record.
2. After resetting, if the screen returns to the main page and shows no fault after your press ESC, the fault is cleared.
3. When the fault or warning message appears, the LED backlight blinks until you clear the fault or warning.

Optional accessory: RJ45 Extension Lead for Digital Keypad

Part No.	Description
CBC-K3FT	RJ45 extension lead, 3 feet (approximately 0.9 m)
CBC-K5FT	RJ45 extension lead, 5 feet (approximately 1.5 m)
CBC-K7FT	RJ45 extension lead, 7 feet (approximately 2.1 m)
CBC-K10FT	RJ45 extension lead, 10 feet (approximately 3 m)
CBC-K16FT	RJ45 extension lead, 16 feet (approximately 4.9 m)

Note: When you need communication cables, buy non-shielded, 24 AWG, four-wire twisted pair, 100 ohms communication cables.

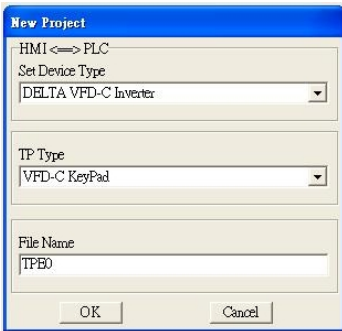
7-14-3 TPEditor Installation Instruction

TPEditor can edit up to 256 HMI (Human-Machine Interface) pages with a total storage capacity of 256 KB. Each page can include 50 normal objects and 10 communication objects.

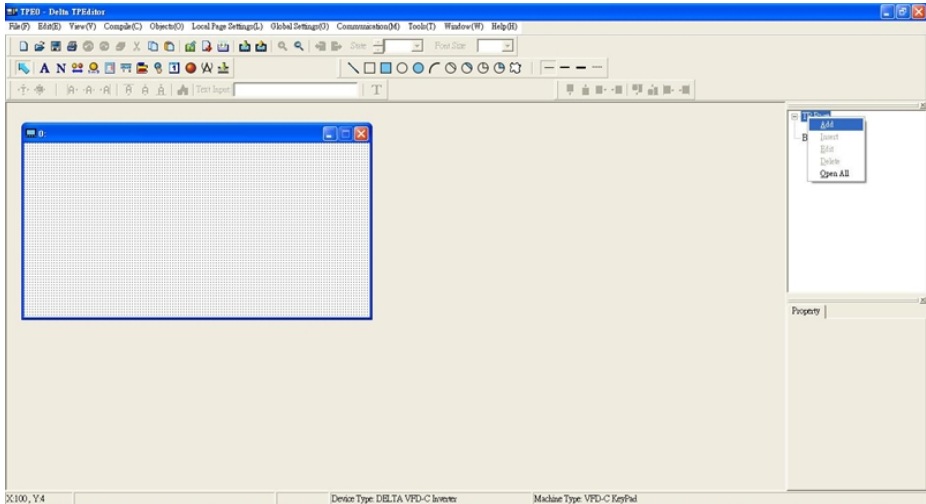
- 1) TPEditor: Setup & Basic Functions
 - 1. Run TPEditor version 1.60 or above by double-clicking the program icon.




- 2. On the **File** menu, click **New**. In the New Project dialog box, for **Set Device Type**, select **DELTA VFD-C Inverter**. For **TP Type**, select **VFD-C KeyPad**. For **File Name**, enter TPE0 and then click **OK**.

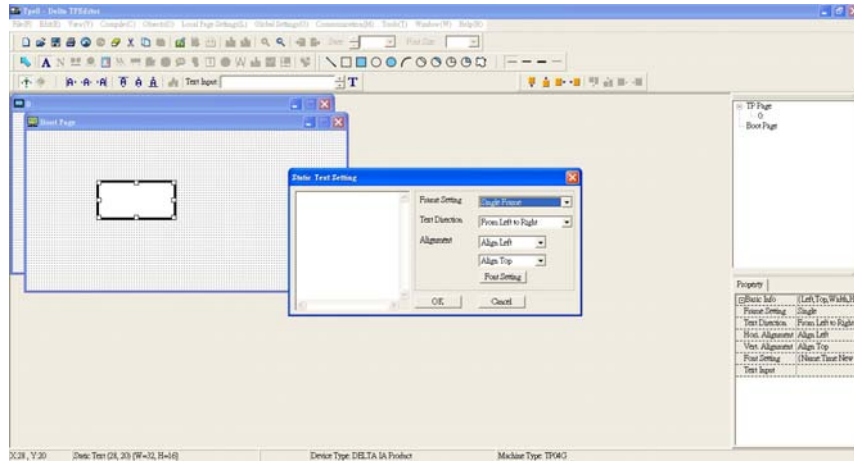


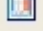
- 3. The editor displays the Design window. On the **Edit** menu, click **Add a New Page**. You can also right-click on the TP page in the upper right corner of the Design window and click **Add** to add one more page(s) to edit.

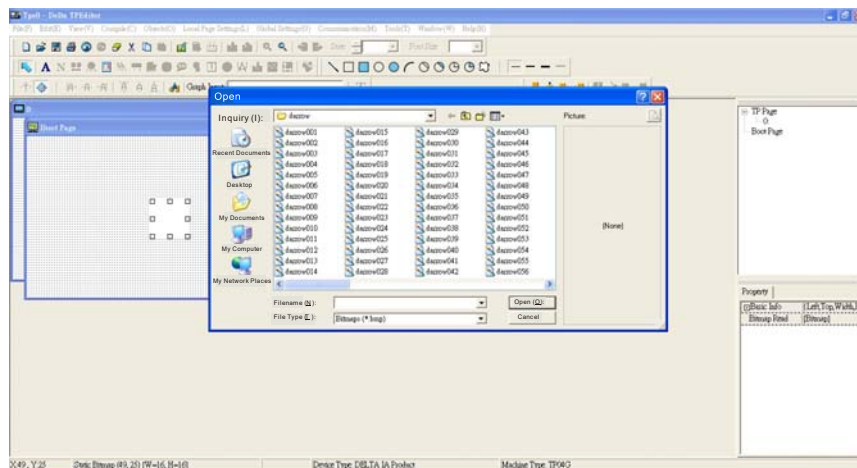


- 4. Edit the start-up screen


5. Add static text. Open a blank page (step 3), then on the toolbar click . Double-click the blank page to display the **Static Text Setting** dialog box, and then enter the static text.



6. Add a static bitmap. Open a blank page (step 3), then on the toolbar click . Double-click the blank page to display the **Static Bitmap Setting** dialog box where you can choose the bitmap.

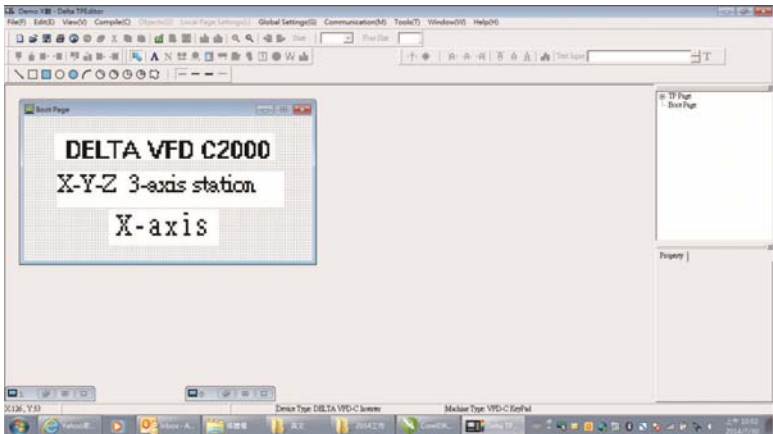


You can only use images in the BMP format. Click the image and then click Open to show the image in the page.

7. Add a geometric bitmap. There are 11 kinds of geometric bitmaps to choose. Open a new blank page (step 3), then on the toolbar click the geometric bitmap icon that you need .

In the page, drag the geometric bitmap and enlarge it to the size that you need.

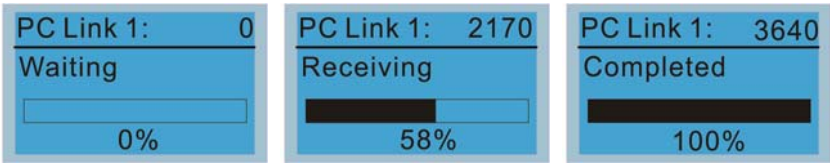
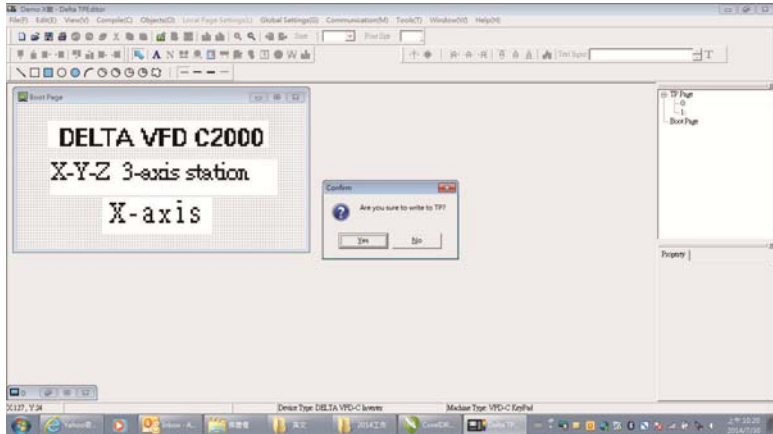
- 8. When you finish editing the start-up screen, on the **Communication** menu, click **Input User Defined Keypad Starting Screen**.



- 9. Download the new setting: On the **Tool** menu, click **Communication**. Set up the communication port and speed for the IFD6530. There are three speeds available: 9600 bps, 19200 bps, and 38400 bps.
- 10. On the **Communication** menu, click **Input User Defined Keypad Starting Screen**.

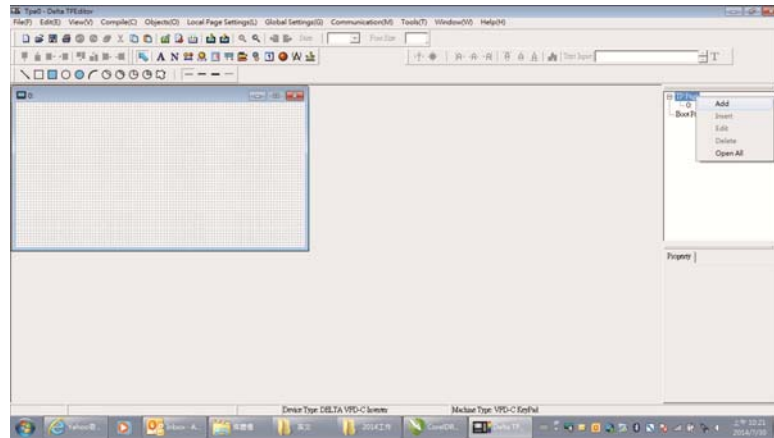


- 11. The Editor displays a message asking you to confirm the new setting. Before you click **OK**, on the keypad, go to MENU, select PC LINK, press ENTER and then wait for few seconds. Then click **YES** in the confirmation dialog box to start downloading.



2) Edit the Main Page and Download to the Keypad

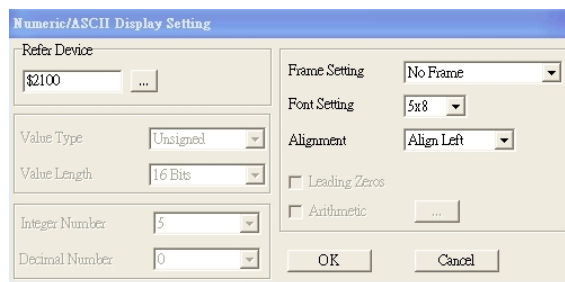
1. In the Editor, add a page to edit. On the **Edit** menu, click **Add a New Page**. You can also right-click on the TP page in the upper right corner of the Design window and click **Add** to add one more pages to edit. This keypad currently supports up to 256 pages.



2. In the bottom right-hand corner of the Editor, click the page number to edit, or on the **View** menu, click **HMI Page** to start editing the main page. As shown in the picture above, the following objects are available. From left to right they are: Static Text, ASCII Display, Static Bitmap, Scale, Bar Graph, Button, Clock Display, Multi-state bit map, Units, Numeric Input, the 11 geometric bitmaps, and lines of different widths. Use the same steps to add Static Text, Static Bitmap, and geometric bitmaps as for the start-up page.




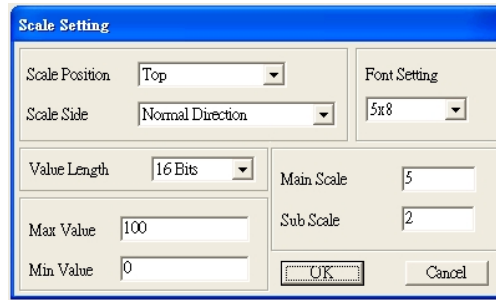
3. Add a numeric/ASCII display. On the toolbar, click the **Numeric/ASCII** button. In the page, double-click the object to specify the **Refer Device**, **Frame Setting**, **Font Setting** and **Alignment**.



Click [...]. In the **Refer Device** dialog box, choose the VFD communication port that you need. If you want to read the output frequency (H), set the **Absolute Addr.** to 2202. For other values, refer to the ACMD Modbus Comm Address List (see Pr.09-04 in Chapter 12 Group 09 Communication Parameters).

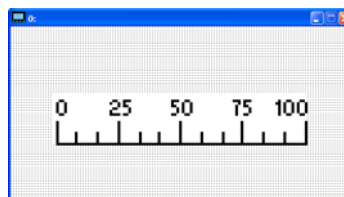


4. Scale Setting. On the toolbar, click  to add a scale. You can also edit the Scale Setting in the Property Window on the right-hand side of your computer screen.

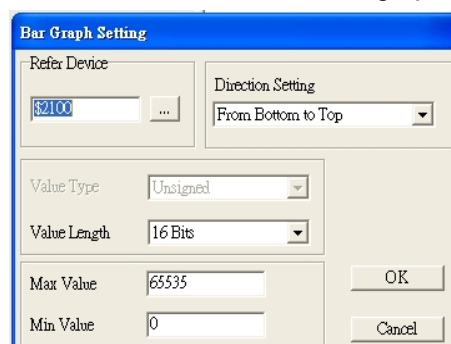




- a. **Scale Position:** specifies where to place the scale.
- b. **Scale Side:** specifies whether the scale is numbered from smaller numbers to larger numbers or from larger to smaller.
- c. **Font Setting:** specifies the font.
- d. **Value Length:** specifies 16 bits or 32 bits.
- e. **Main Scale & Sub-Scale:** divides the whole scale into equal parts; enter the numbers for the main scale and sub-scale.
- f. **Max Value & Min Value:** specifies the numbers on the two ends of the scale. They can be negative numbers, but the maximum and minimum values are limited by the **Value Length** setting. For example, when **Value Length** is **hexadecimal (16 bits)**, the maximum and the minimum value cannot be entered as -40000.

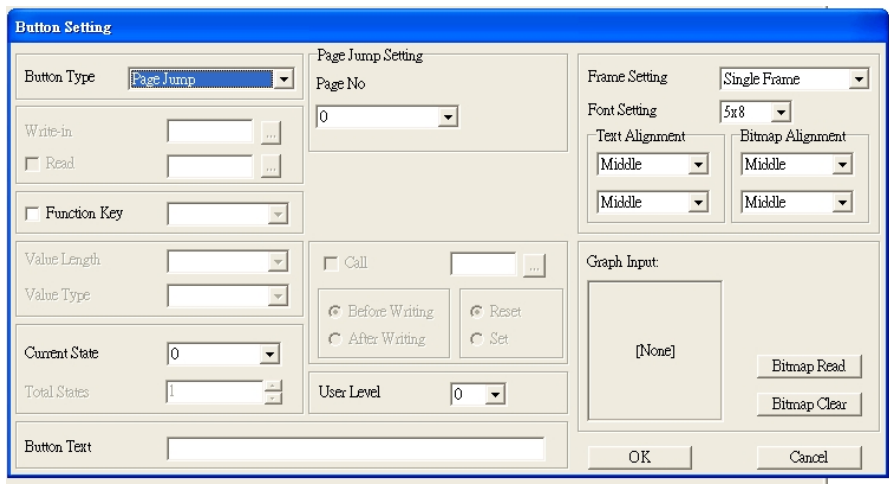
Clicking **OK** creates a scale as in the picture below.



5. Bar Graph setting. On the toolbar, click  to add a bar graph.



- a. **Refer Device:** specifies the VFD communication port.
 - b. **Direction Setting:** specifies the direction: **From Bottom to Top**, **From Top to Bottom**, **From Left to Right** or **From Right to Left**.
 - c. **Max Value and Min Value:** specifies the maximum value and minimum value. A value smaller than or equal to the minimum value causes the bar graph to be blank (0). A value is bigger or equal to the maximum value causes the bar graph is full (100%). A value between the minimum and maximum values causes the bar graph to be filled proportionally.
6. **Button:** on the toolbar, click . Currently this function only allows the keypad to switch pages; other functions are not yet available (including text input and insert image). In the blank page, double-click  to open the Button Setting dialog box.

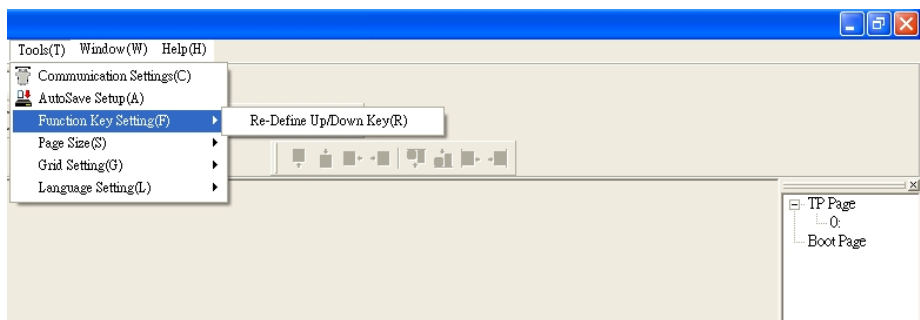


Button Type: specifies the button’s functions.

Page Jump and **Constant Setting** are the only functions currently supported.

A. Page Jump Setting

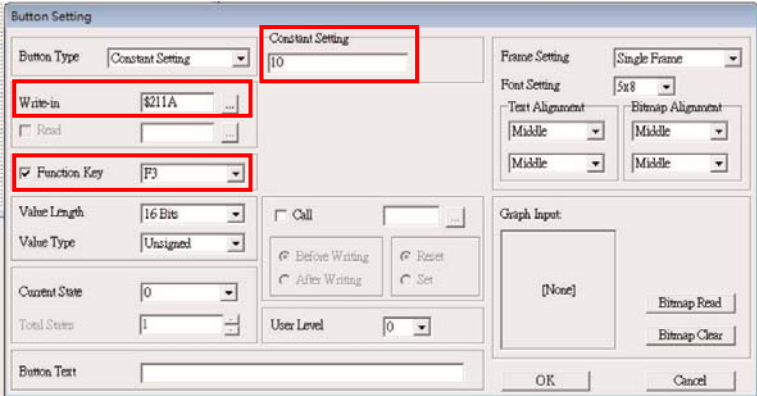
- **Page Jump Setting:** in the **Button Type** list, choose **Page Jump** to show the **Page Jump Setting**.
- **Function Key:** specifies the functions for the following keys on the KPC-CC01 keypad: F1, F2, F3, F4, Up, Down, Left and Right. Note that the Up and Down keys are locked by TPEditor. You cannot program these two keys. If you want to program Up and Down keys, on the **Tool** menu, click **Function Key Setting**, and then click **Re-Define Up/Down Key**.

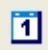


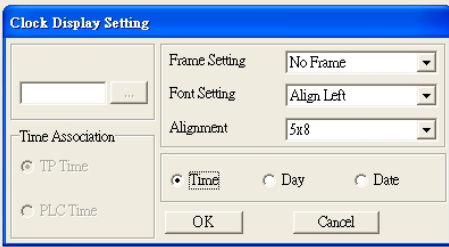
- **Button Text:** specifies the text that appears on a button. For example, when you enter Next Page for the button text, that text appears on the button.


B. Constant Setting

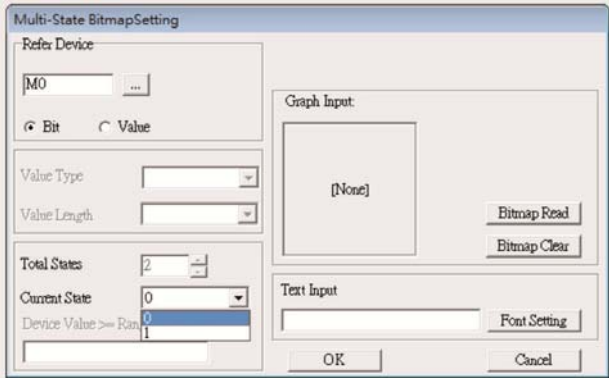
This function specifies the memory address' values for the VFD or PLC. When you press the **Function Key**, it writes a value to the memory address specified by the value for **Constant Setting**. You can use this function to initialize a variable.




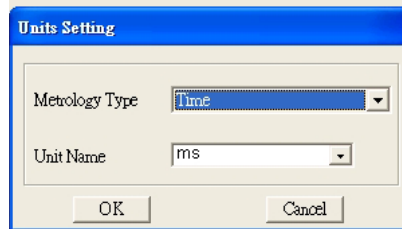
- 7. **Clock Display Setting:** on the toolbar, click . You can display the time, day, or date on the keypad. Open a new page and click once in that window to add a clock display. Choose to display **Time**, **Day**, or **Date** on the keypad. To adjust time, go to #8 on the keypad's menu. You can also specify the **Frame Setting**, **Font Setting**, and **Alignment**.




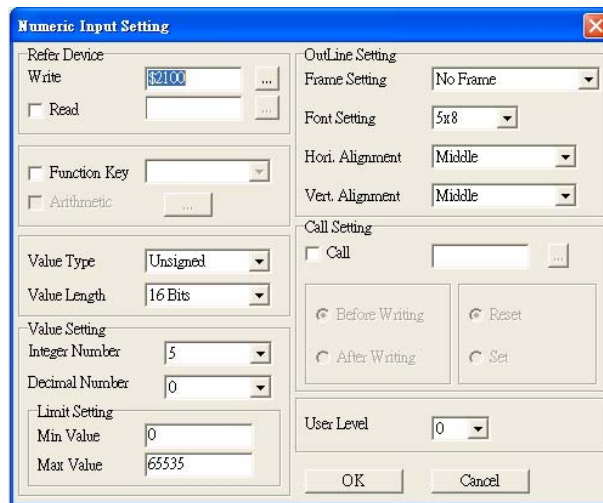
- 8. **Multi-state bitmap:** on the toolbar, click . Open a new page and click once in that window to add a Multi-state bitmap. This object reads a bit's property value from the PLC. It defines the image or text that appears when this bit is 0 or 1. Set the initial status (**Current State**) to be 0 or 1 to define the displayed image or text.



9. Unit Measurement: on the toolbar, click . Open a new blank page, and double-click on that window to display the **Units Setting** dialog box. Choose the **Metrology Type** and the **Unit Name**. For **Metrology**, the choices are Length, Square Measure, Volume/Solid Measure, Weight, Speed, Time, and Temperature. The unit name changes automatically when you change metrology type.



10. Numeric Input Setting: on the toolbar, click . This object enables you to provide parameters or communication ports (0x22xx) and to input numbers. Open a new file and double click on that window to display the **Numeric Input Setting** dialog box.



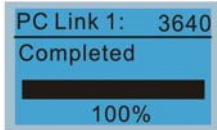
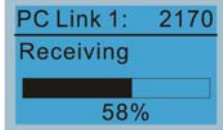
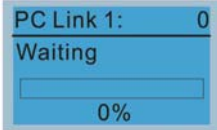
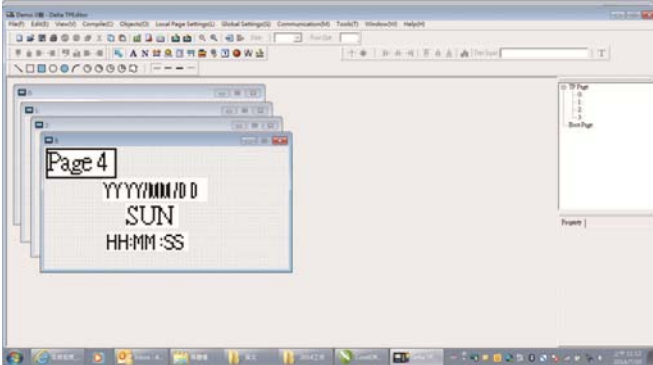
- Refer Device:** specifies the **Write** and the **Read** values. Enter the numbers to display and the corresponding parameter and communication port numbers. For example, enter 012C to Read and Write Parameter Pr.01-44.
- OutLine Setting:** specifies the **Frame Setting**, **Font Setting**, **Hori. Alignment**, and **Vert. Alignment** for the outline.
- Function Key:** specifies the function key to program on the keypad in the **Function Key** box. The corresponding key on the keypad starts to blink. Press ENTER to confirm the setting.
- Value Type** and **Value Length:** specify the range of the **Min Value** and **Max Value** for the **Limit Setting**. Note that the corresponding supporting values for MS300 must be 16 bits. 32-bit values are not supported.
- Value Setting:** automatically set by the keypad itself.
- Limit Setting:** specifies the range for the numeric input here.

For example, if you set **Function Key** to **F1**, **Min Value** to 0 and **Max Value** to 4, when you press F1 on the keypad, then you can press Up/Down on the keypad to increase or decrease the value. Press ENTER on the keypad to confirm your setting. You can also view the parameter table 01-44 to verify if you correctly entered the value.

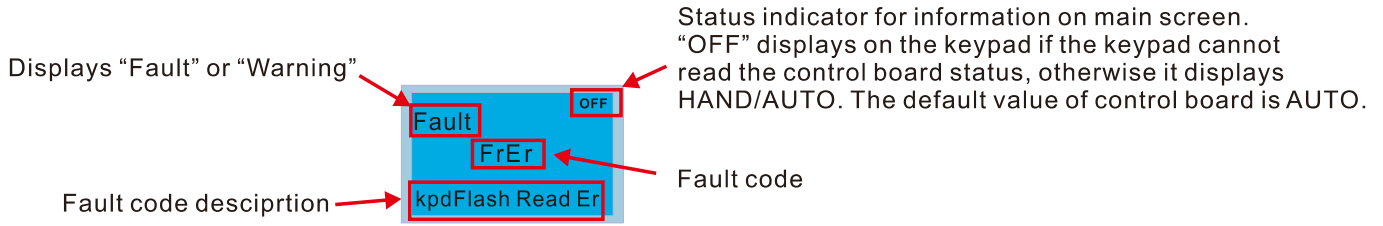
11. Download the TP page. Press Up/Down on the keypad to select #15 PC Link.

Then press ENTER on the keypad. The screen displays "Waiting". In TPEditor, choose a page that you have created, and then on the **Communication** menu click **Write to TP** to start downloading the page to the keypad

When you see "Completed" on the keypad screen, the download is finished. You can then press ESC on the keypad to go back to the menu screen.



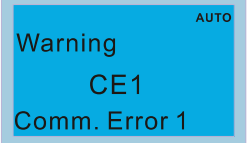
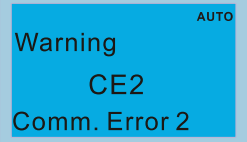
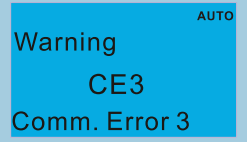
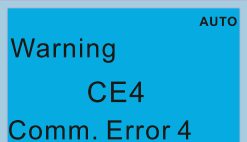
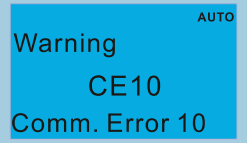
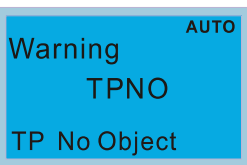
7-14-4 Digital Keypad KPC-CC01 Fault Codes and Descriptions




Fault Codes

LCD Display *	Description	Corrective Actions
<div style="border: 1px solid black; padding: 5px; background-color: #e0f0ff;"> Fault AUTO FrEr kpd Flash Read Er </div>	Keypad flash memory read error	Error in the keypad's flash memory. 1. Press RESET to clear the errors. 2. Check for any problem on Flash IC. 3. Shut down the system, wait for ten minutes, and then restart the system. If none of the above solutions works, contact your authorized local dealer for assistance.
<div style="border: 1px solid black; padding: 5px; background-color: #e0f0ff;"> Fault AUTO FsEr kpd Flash Save Er </div>	Keypad flash memory save error	Error in the keypad's flash memory. 1. Press RESET to clear the errors. 2. Check for any problem on Flash IC. 3. Shut down the system, wait for ten minutes, and then restart the system. If none of the above solutions works, contact your authorized local dealer for assistance.
<div style="border: 1px solid black; padding: 5px; background-color: #e0f0ff;"> Fault AUTO FPEr kpd Flash Pr Er </div>	Keypad flash memory parameter error	Error in the default parameters. It might be caused by a firmware update. 1. Press RESET to clear the errors. 2. Check for any problem on Flash IC. 3. Shut down the system, wait for ten minutes, and then restart the system. If none of the above solutions works, contact your local authorized dealer for assistance.
<div style="border: 1px solid black; padding: 5px; background-color: #e0f0ff;"> Fault AUTO VFDr Read VFD Info Er </div>	Keypad error when reading AC motor drive data	Keypad cannot read any data sent from the VFD. 1. Verify that the keypad is properly connected to the motor drive by a communication cable such as RJ45. 2. Press RESET to clear the errors. 3. Shut down the system, wait for ten minutes, and then restart the system. If none of the above solutions works, contact your local authorized dealer for assistance.
<div style="border: 1px solid black; padding: 5px; background-color: #e0f0ff;"> Fault AUTO CPUEr CPU Error </div>	Keypad CPU error	A serious error in the keypad's CPU. 1. Check for any problem on CPU clock. 2. Check for any problem on Flash IC. 3. Check for any problem on RTC IC. 4. Verify that the communication quality of the RS-485 cable is good. 5. Shut down the system, wait for ten minutes, and then restart the system. If none of the above solutions works, contact your local authorized dealer for assistance.

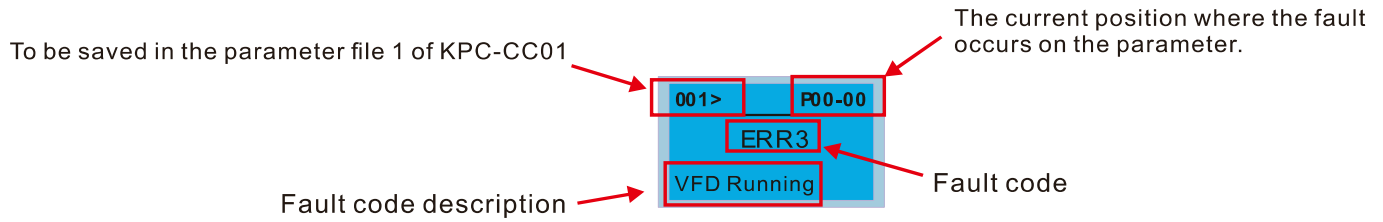
Warning Codes

LCD Display *	Description	Corrective Actions
	Modbus function code error	Motor drive does not accept the communication command sent from the keypad. <ol style="list-style-type: none"> 1. Verify that the keypad is properly connected to the motor drive by a communication cable such as RJ45. 2. Press RESET to clear the errors. If none of the above solutions works, contact your local authorized dealer for assistance.
	Modbus data address error	Motor drive does not accept the keypad's communication address. <ol style="list-style-type: none"> 1. Verify that the keypad is properly connected to the motor drive by a communication cable such as RJ45. 2. Press RESET to clear the errors. If none of the above solutions works, contact your local authorized dealer for assistance.
	Modbus data value error	Motor drive does not accept the communication data sent from the keypad. <ol style="list-style-type: none"> 1. Verify that the keypad is properly connected to the motor drive by a communication cable such as RJ45. 2. Press RESET to clear the errors. If none of the above solution works, contact your local authorized dealer for assistance.
	Modbus slave drive error	Motor drive cannot process the communication command sent from the keypad. <ol style="list-style-type: none"> 1. Verify that the keypad is properly connected to the motor drive by a communication cable such as RJ45. 2. Press RESET to clear the errors. 3. Shut down the system, wait for ten minutes, and then restart the system. If none of the above solutions works, contact your local authorized dealer for assistance.
	Modbus transmission time-out	Motor drive does not respond to the communication command sent from the keypad. <ol style="list-style-type: none"> 1. Verify that the keypad is properly connected to the motor drive by a communication cable such as RJ45. 2. Press RESET to clear the errors. 3. Shut down the system, wait for ten minutes, and then restart the system. If none of the above solutions works, contact your local authorized dealer for assistance.
	Object not supported by TPEditor	If none of the above solution works, contact your local authorized dealer. Keypad's TPEditor uses an unsupported object. <ol style="list-style-type: none"> 1. Verify that the TPEditor is not using an unsupported object or setting. Delete unsupported objects and unsupported settings. 2. Re-edit the object in the TPEditor, and then download it to the keypad. If none of the above solutions works, contact your local authorized dealer for assistance.

 **NOTE** The warning code CExx only occurs when the communication problem is between the drive and the keypad. It has nothing to do with the drive and other devices. Note the warning code description to find the cause of the error if CExx appears.

File Copy Setting Fault Description:

These faults occur when KPC-CC01 cannot perform the command after clicking the ENTER key in the copy function.



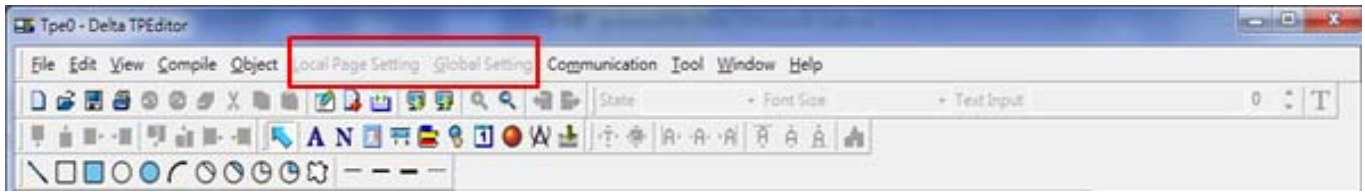
LCD Display *	Description	Corrective Actions
<div style="border: 1px solid black; padding: 5px; background-color: #e0f0ff;"> 001> P00-00 ERR1 Read Only </div>	Parameter and file are read-only	The parameter/file is read-only and cannot be written to. 1. Verify the specification in the user manual. If this solution does not work, contact your local authorized dealer for assistance.
<div style="border: 1px solid black; padding: 5px; background-color: #e0f0ff;"> 001> P00-00 ERR2 Write Fail </div>	Fail to write parameter and file	An error occurred while writing to a parameter/file. 1. Check for any problem on Flash IC. 2. Shut down the system, wait for ten minutes, and then restart the system. If this solution does not work, contact your local authorized dealer for assistance.
<div style="border: 1px solid black; padding: 5px; background-color: #e0f0ff;"> 001> P00-00 ERR3 VFD Running </div>	AC motor drive is in operating status	A setting cannot be changed while the motor drive is in operation. 1. Verify that the drive is not in operation. If this solution does not work, contact your local authorized dealer for assistance.
<div style="border: 1px solid black; padding: 5px; background-color: #e0f0ff;"> 001> P00-00 ERR4 Pr Lock </div>	AC motor drive parameter is locked	A setting cannot be changed because a parameter is locked. 1. Check if the parameter is locked. If it is locked, unlock it and try to set the parameter again. If this solution does not work, contact your local authorized dealer for assistance.
<div style="border: 1px solid black; padding: 5px; background-color: #e0f0ff;"> 001> P00-00 ERR5 Pr Changing </div>	AC motor drive parameter is changing	A setting cannot be changed because a parameter is being modified. 1. Check if the parameter is being modified. If it is not being modified, try to change that parameter again. If this solution does not work, contact your local authorized dealer for assistance.
<div style="border: 1px solid black; padding: 5px; background-color: #e0f0ff;"> 001> P00-00 ERR6 Fault Code </div>	Fault code is not cleared	A setting cannot be changed because an error has occurred in the motor drive. 1. Check if an error occurred in the motor drive. If there is no error, try to change the setting again. If this solution does not work, contact your local authorized dealer for assistance.
<div style="border: 1px solid black; padding: 5px; background-color: #e0f0ff;"> 001> P00-00 ERR7 Warning Code </div>	Warning code is not cleared	A setting cannot be changed because of a warning message given to the motor drive. 1. Check if there is a warning message given to the motor drive. If this solution does not work, contact your local authorized dealer for assistance.
<div style="border: 1px solid black; padding: 5px; background-color: #e0f0ff;"> 001> P00-00 ERR8 Type Mismatch </div>	File type mismatch	Data to be copied are not the correct type, so the setting cannot be changed. 1. Check if the products' serial numbers to be copied are in the same category. If they are in the same category, try to copy the setting again. If this solution does not work, contact your authorized dealer for assistance.

LCD Display *	Description	Corrective Actions
<div style="border: 1px solid black; padding: 5px; background-color: #e0f0ff;"> <p>001> P00-00</p> <p style="text-align: center;">ERR9</p> <p>Password Lock</p> </div>	File is locked with password	<p>A setting cannot be changed because some data are locked.</p> <ol style="list-style-type: none"> 1. Check if the data are unlocked or able to be unlocked. If the data are unlocked, try to change the setting again. 2. Shut down the system, wait for ten minutes, and then restart the system. <p>If none of the above solutions works, contact your authorized dealer for assistance.</p>
<div style="border: 1px solid black; padding: 5px; background-color: #e0f0ff;"> <p>001> P00-00</p> <p style="text-align: center;">ERR10</p> <p>Password Fail</p> </div>	File password mismatch	<p>A setting cannot be changed because the password is incorrect.</p> <ol style="list-style-type: none"> 1. Check if the password is correct. If the password is correct, try to change the setting again. 2. Shut down the system, wait for ten minutes, and then restart the system. <p>If none of the above solutions works, contact your authorized dealer for assistance.</p>
<div style="border: 1px solid black; padding: 5px; background-color: #e0f0ff;"> <p>001> P00-00</p> <p style="text-align: center;">ERR11</p> <p>Version Fail</p> </div>	File version mismatch	<p>A setting cannot be changed because the version of the data is incorrect.</p> <ol style="list-style-type: none"> 1. Check if the version of the data matches the motor drive. If it matches, try to change the setting again. <p>If this solution does not work, contact your authorized dealer for assistance.</p>
<div style="border: 1px solid black; padding: 5px; background-color: #e0f0ff;"> <p>001> P00-00</p> <p style="text-align: center;">ERR12</p> <p>VFD Time Out</p> </div>	AC motor drive copy function time-out	<p>A setting cannot be changed because the data copying time-out expired.</p> <ol style="list-style-type: none"> 1. Try copying the data again. 2. Check if copying data is authorized. If it is authorized, try to copy the data again. 3. Shut down the system, wait for ten minutes, and then restart the system. <p>If none of the above solutions works, contact your authorized dealer for assistance.</p>

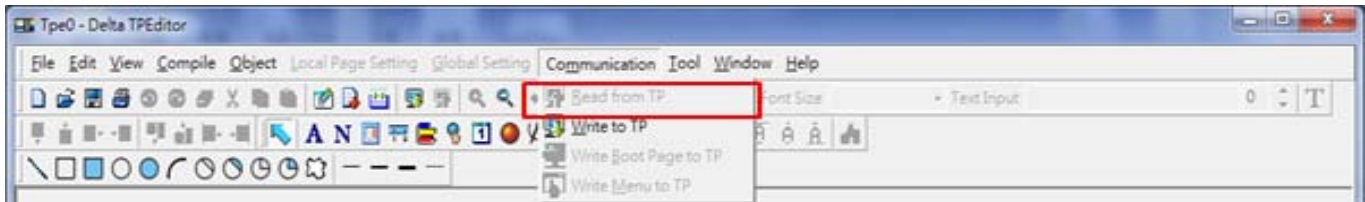
※ The content in this section only applies to the KPC-CC01 keypad V1.01 and later versions..

7-14-5 Unsupported Functions when Using TPEditor with the KPC-CC01

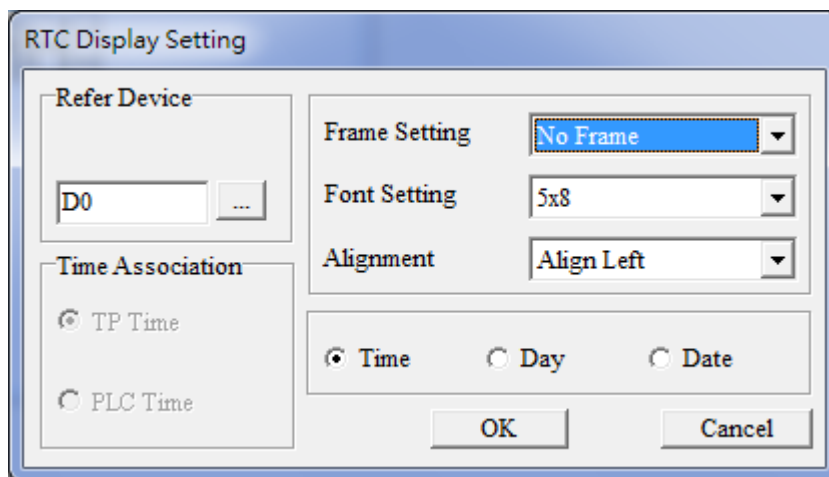
1. **Local Page Setting** and **Global Setting** functions are not supported.



2. In the **Communication** menu, **Read from TP** function is not supported.



3. In the **RTC Display Setting**, you cannot change the **Refer Device**.



Chapter 8 Option Cards

- 8-1 Option Card Installation
- 8-2 CMM-PD02 -- Communication Extension Card, PROFIBUS DP
- 8-3 CMM-DN02 -- Communication Extension Card, DeviceNet
- 8-4 CMM-EIP02 -- Communication Extension Card, EtherNet/IP
- 8-5 CMM-COP02 -- Communication Extension Card, CANopen
- 8-6 CMM-EC02 -- Communication Extension Card, EtherCAT
- 8-7 EMM-BPS02 -- +24 V Power Card
- 8-8 Delta Standard Fieldbus Cables

The option cards in this chapter are optional accessories. Select the applicable option cards for your motor drive, or contact your local distributor for suggestions. The option cards can significantly improve the efficiency of the motor drive. To prevent damage to the motor drive during installation, remove the digital keypad and the cover before wiring.

8-1 Option Card Installation

Mounting Position of Option Cards

Frame A–D

Mounting position 1, 2 (Option card mounting box)

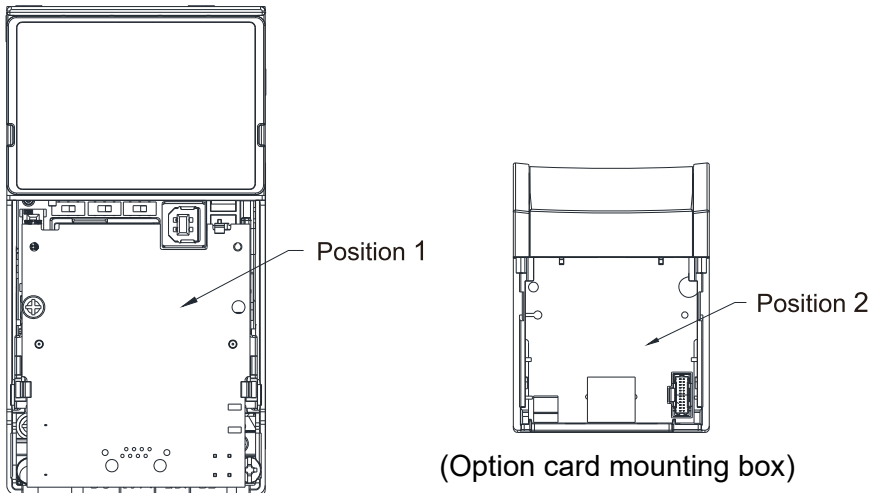


Figure 8-1

Frame E and F

Mounting position 1

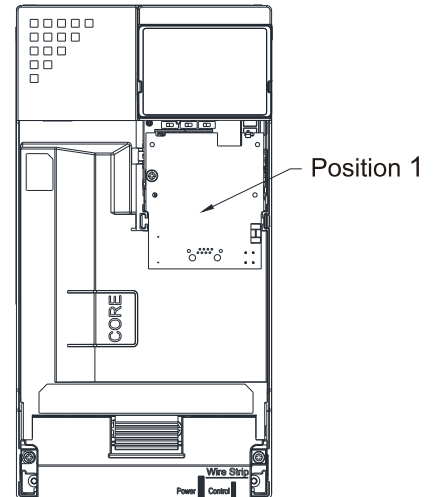


Figure 8-2

Note: Frame E and F does not support a second option card installation, so there is no mounting position 2.

The Wiring of Option Cards

MS300 control board connector

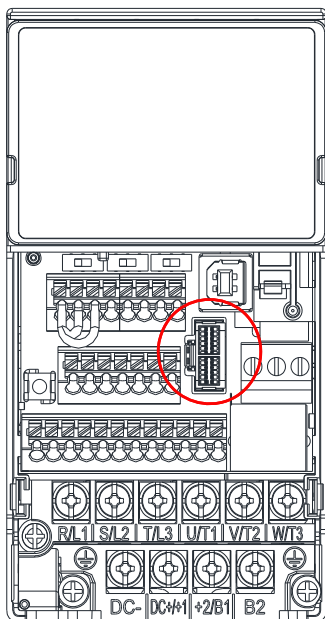


Figure 8-3

Option card connector

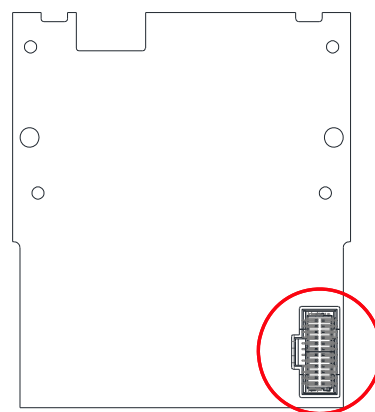


Figure 8-4

Attention: Do NOT misuse the cables for the communication cards and the cables for the power card. You must read the descriptions on the cables before wiring.

● **Communication Card Cables**

To correctly use the communication cards, you must purchase the communication card along with the connection cables. Check your communication card models first. Then, select your applicable connection cables according to the mounting positions by different frames. Two cable length are available for your choice. See the table below to select your applicable communication card cables.

Communication Card	CMM-DN02, CMM-EIP02, CMM-PD02, CMM-COP02		CMM-EC02	
	Mounting Position 1	Mounting Position 2	Mounting Position 1	Mounting Position 2
Frame	Cable Model#	Cable Model#	Cable Model#	Cable Model#
A	CBM-CL01A	CBM-CC01A	CBM-CL01A	CBM-CL01A
B		CBM-CC02A		CBM-CL02A
C	CBM-CL02A		N/A	
D		N/A		N/A
E			N/A	
F		N/A		N/A

 **NOTE**

An option card mounting box is included upon purchasing the communication card CMM-EC02, you need to purchase it with CBM-CL01A or CBM-CL02A

CBM-CL01A
CBM-CC01A

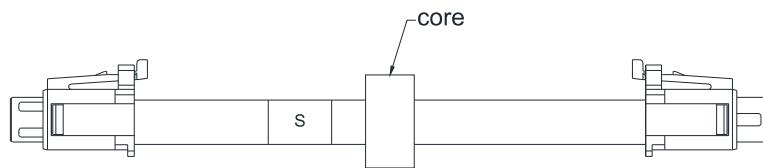


Figure 8-5

CBM-CL02A
CBM-CC02A

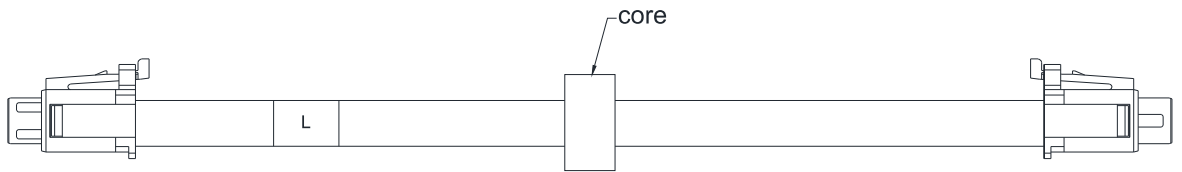


Figure 8-6

● **Power Card Cables**

An option card mounting box and cables with two different length are included when you purchase the power card EMM-BPS02 (DC 24 V backup power supply card), so you do not need to purchase it with the connection cables. **“BPS use only”** and **“# S”** or **“# L”** are marked on the EMM-BPS02 power card cable. See the table below to select your applicable power card cables according to different mounting positions.

Power Card	EMM-BPS02	
Frame	Mounting Position 1	Mounting Position 2
	Cable Model#	Cable Model#
A	# S	# S
B		# L
C	N/A	
D		
E		
F		

S

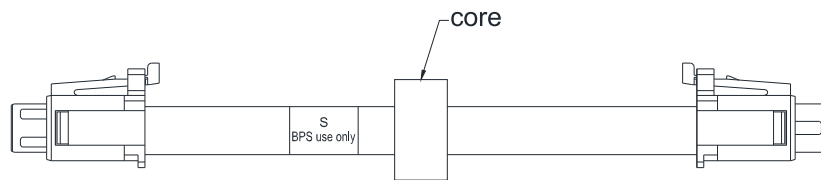


Figure 8-7

L

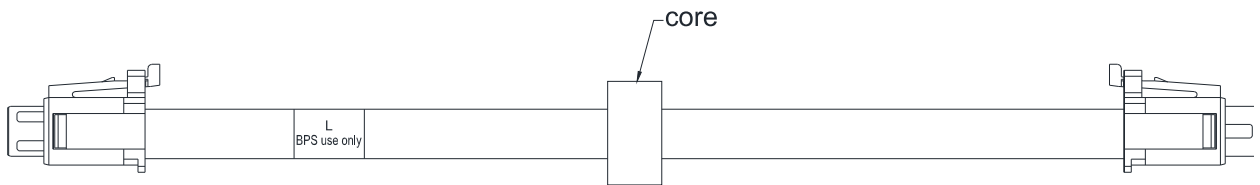


Figure 8-8

Option Card Mounting Position 1

Installation method: **Back-mount** the option card by connecting **flat cables** to the control board.

1. Turn off the power of the motor drive, and then remove the front cover, as shown in Figure 8-9.
2. Assemble the connection cable: Connect the connector at one end of the connection cable to the control board connector. Refer to Section 8-1 **The Wiring of Option Cards** for more information on connection methods.
3. Assemble the supported frame of the option card: Aim the two clips at the two slots on the motor drive, and then press downward to have the two clips engage the slots, as shown in Figure 8-10.
4. Assemble the connection cable: Connect the connector at the other end of the connection cable to the connector of the option card.
5. Assemble the option card: Have the terminal block and connector of the option card face downward, aim the two holes of the option card to the position column and press downward so that the three clips engage the option card, as shown in Figure 8-11.
6. Make sure that three clips properly engage the option card and then tighten the screws (suggested torque value: 4–6 kg-cm [3.5–5.2 lb-in.] [0.39–0.59 Nm]), as shown in Figure 8-12.
7. Assembly is completed, as shown in Figure 8-13.

(Take communication card as an example)

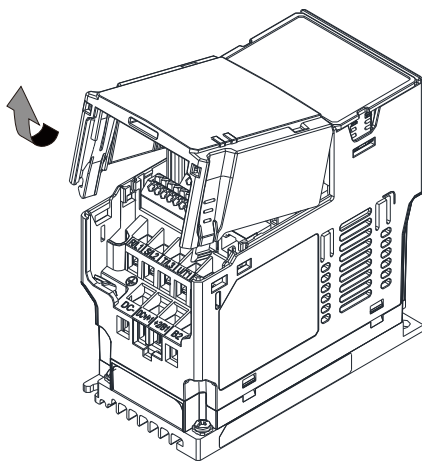


Figure 8-9

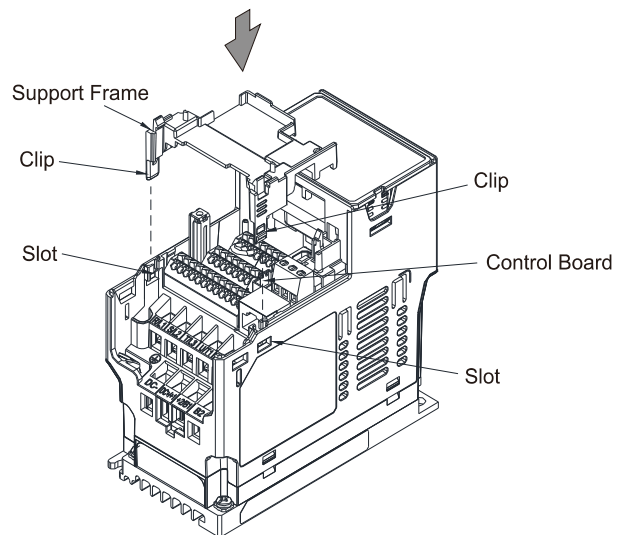


Figure 8-10

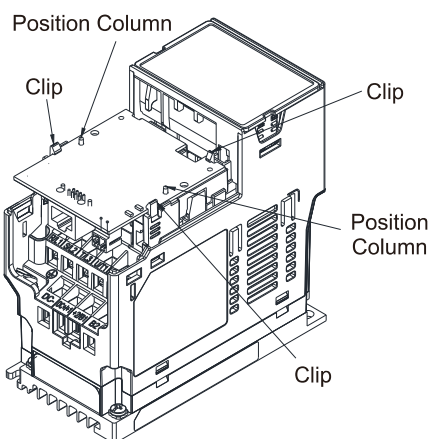


Figure 8-11

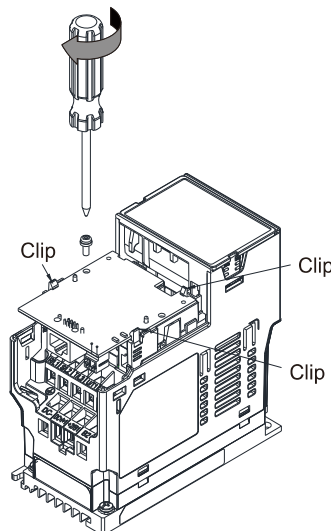


Figure 8-12

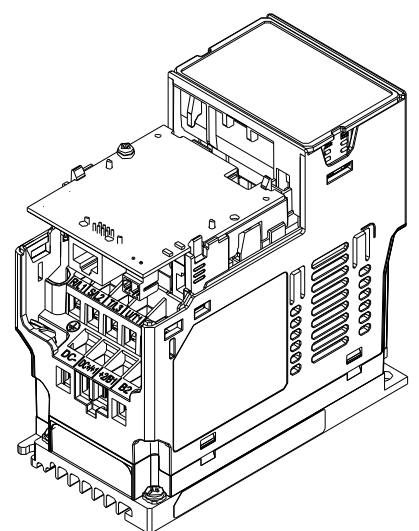


Figure 8-13

Option Card Mounting Position 2 (Frame A–D)

Installation method: **Front-mount** the option card by connecting **flat cables** to the control board.

1. Turn off the power of the motor drive and then remove the front cover, as shown in Figure 8-14.
2. Assemble the option card: Detach the upper cover of the mounting box for the option card by slipping and make the terminal block and connector of the option card face upward. Fix the front end of the option card to the slots, and then rotate it, as shown in the Figure 8-15.
3. Make sure that two clips properly engage the option card on the backside, and then tighten the screws (suggested torque value: 4–6 kg-cm [3.5–5.2 lb-in.] [0.39–0.59 Nm]), as shown in Figure 8-16.
4. Assemble the connection cable: Connect the connector at one end of the connection cable to the control board connector. Refer to Section 8-1 **The Wiring of Option Cards** for more information on connection methods.
5. Attach the front cover of the drive.
6. Assemble the connection cable: Connect the connector at the other end of the connection cable to the connector of the option card.
7. Attach the upper cover to the mounting box for the option card, as shown in Figure 8-17.
8. Assemble the mounting box for the option card: Aim the four clips of the mounting box for the option card at the slots on the upper cover of the motor drive, and then press downward to have the four clips engage the slots, as shown in the Figure 8-18.
9. Assembly is completed, as shown in Figure 8-19.

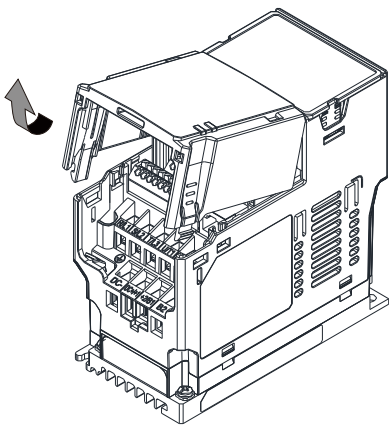


Figure 8-14

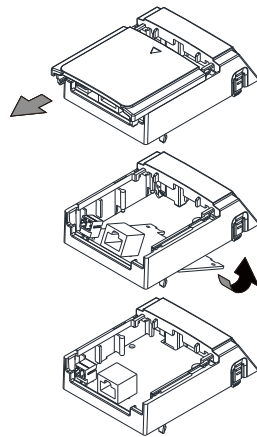


Figure 8-15

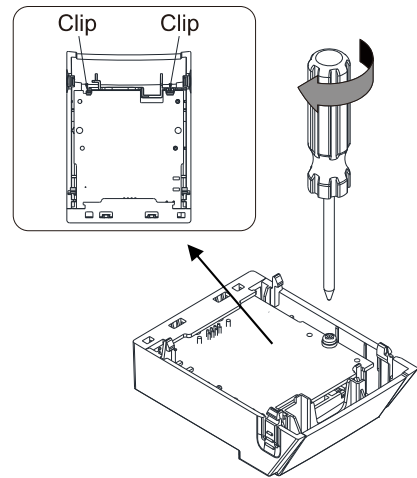


Figure 8-16

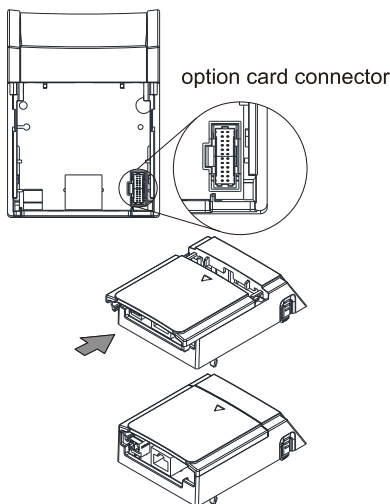


Figure 8-17

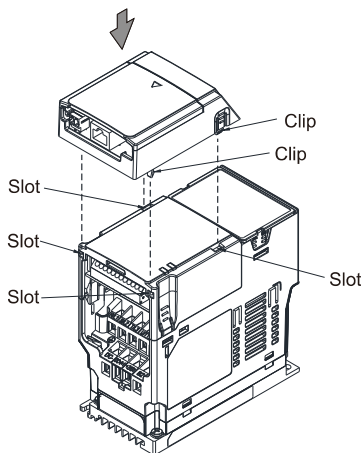


Figure 8-18

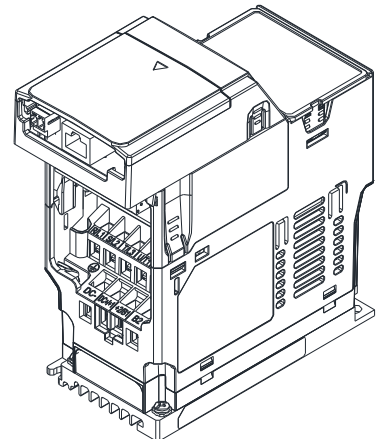


Figure 8-19

Grounded installation

- You must ground the option cards as listed below when wiring. The ground terminal is included in the option card package, as shown in Figure 8-20.

- CMM-PD02
- CMM-DN02
- CMM-EIP02
- CMM-COP02
- CMM-EC02
- EMM-BPS02

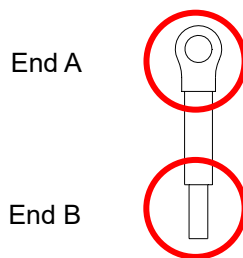


Figure 8-20

- Installation of the ground terminal:

The B end of the grounding wire connects to the ground terminal block of the option card, as the No.6 shows in Figure 8-21 (see Chapter 8 for the ground terminal block position of other option cards). The A end of the grounding wire connects to the drive's PE, as the circles show in Figure 8-22 and Figure 8-23.

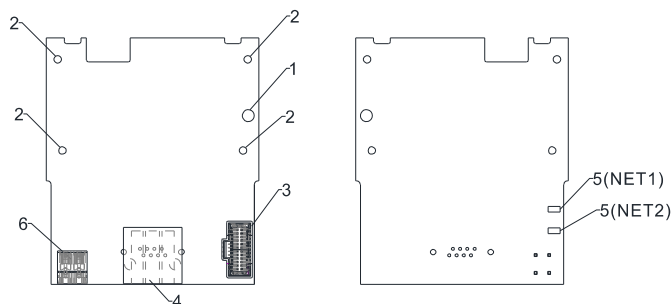


Figure 8-21

Frame A–C

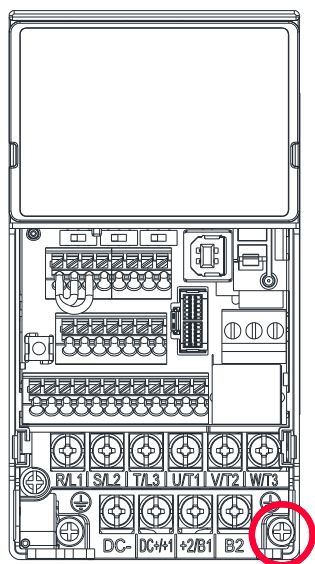


Figure 8-22

Frame D–F

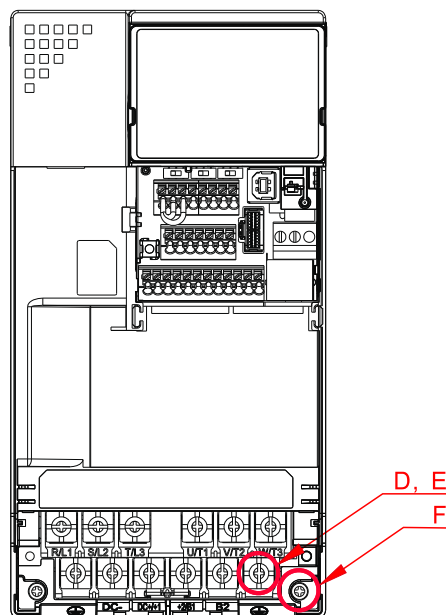


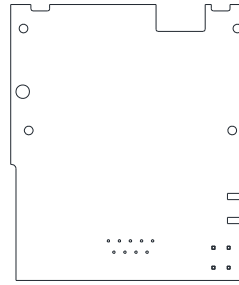
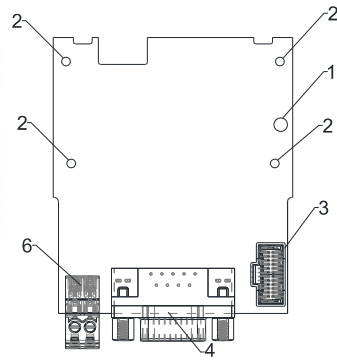
Figure 8-23

Frame	Screw Spec.	Torque (±10%)
A	M3.5	9 kg-cm [7.8 lb-in] [0.88 Nm]
B	M4	15 kg-cm [13.0 lb-in] [1.47 Nm]
C	M4	20 kg-cm [17.4 lb-in] [1.96 Nm]

Frame	Screw Spec.	Torque (±10%)
D	M4	20 kg-cm [17.4 lb-in] [1.96 Nm]
E	M5	25 kg-cm [21.7 lb-in] [2.45 Nm]
F	M4	20 kg-cm [17.4 lb-in] [1.96 Nm]

8-2 CMM-PD02

Product Profile



1. Screw fixing hole
2. Positioning hole
3. AC motor drive connection port
4. Communication port
5. Indicator NET1, NET2
6. Ground terminal block

Wire gauge: 0.25–0.5 mm² [24–20 AWG]

Stripping length: 7–8 mm

Screw torque: 2 kg-cm / [1.7 lb-in.] / [0.2 Nm]

Features

1. Supports PZD control data exchange.
2. Supports PKW access AC motor drive parameters.
3. Supports user diagnosis function.
4. Auto-detects baud rates; supports a maximum of 12 Mbps.

Specifications

PROFIBUS DP Connector

Interface	DB9 connector
Transmission method	High-speed RS-485
Transmission cable	Shielded twisted-pair cable
Electrical isolation	500 V _{DC}

Communication

Message type	Cyclic data exchange
Module name	CMM-PD02
GSD document	DELA08DB.GSD
Product ID	08DB (HEX)
Serial transmission speed supported (auto-detection)	9.6 kbps; 19.2 kbps; 93.75 kbps; 187.5 kbps; 500 kbps; 1.5 Mbps; 3 Mbps; 6 Mbps; 12 Mbps (bits per second)

Electrical Specification

Power supply voltage	15 V _{DC} (supplied by the AC motor drive)
Insulation voltage	500 V _{DC}
Power consumption	1 W
Weight	28 g

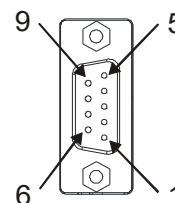
Environment

Noise immunity	ESD (IEC 61800-5-1, IEC 6100-4-2) EFT (IEC 61800-5-1, IEC 6100-4-4) Surge Test (IEC 61800-5-1, IEC 6100-4-5) Conducted Susceptibility Test (IEC 61800-5-1, IEC 6100-4-6)
Operation / storage	Operation: -10–50°C (temperature), 90% (humidity) Storage: -25–70°C (temperature), 95% (humidity)
Shock / vibration resistance	International standards: IEC 61131-2, IEC 68-2-6 (TEST Fc) / IEC 61131-2 & IEC 68-2-27(TEST Ea)

■ Installation

PROFIBUS DP Connector

PIN	Signal	Definition
1	-	Not defined
2	-	Not defined
3	Rxd / Txd-P	Sending / receiving data P(B)
4	-	Not defined
5	DGND	Data reference ground
6	VP	Power voltage – positive
7	-	Not defined
8	Rxd / Txd-N	Sending / receiving data N(A)
9	-	Not defined



■ LED Indicator & Troubleshooting

There are two LED indicators on the CMM-PD02: POWER LED and NET LED. POWER LED displays the status of the working power. NET LED displays the connection status of the communication.

POWER LED

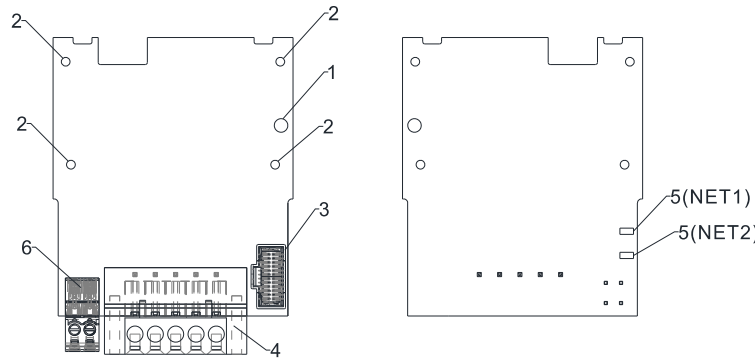
LED status	Indication	Corrective Action
Green light on	Power supply in normal status.	No action is required.
Off	No power	Check if the connection between the CMM-PD02 and the AC motor drive is normal.

NET LED

LED status	Indication	Corrective Action
Green light on	Normal status	No action is required.
Red light on	The CMM-PD02 is not connected to PROFIBUS DP bus.	Connect the CMM-PD02 to the PROFIBUS DP bus.
Red light flashes	Invalid PROFIBUS communication address	Set the PROFIBUS address of the CMM-PD02 between 1–125 (decimal).
Orange light flashes	The CMM-PD02 fails to communicate with the AC motor drive.	Switch off the power and check whether the CMM-PD02 is correctly installed and normally connected to the AC motor drive.

8-3 CMM-DN02

Product Profile



1. Screw fixing hole
2. Positioning hole
3. AC motor drive connection port
4. Communication Port
5. Indicator NET1, NET2
6. Ground terminal block

Wire gauge: 0.25–0.5 mm² [24–20 AWG]

Stripping length: 7–8 mm

Screw torque: 2 kg-cm / [1.7 lb-in.] / [0.2 Nm]

Features

1. Based on the high-speed communication interface of Delta’s HSSP protocol, the AC motor drive can be controlled in real-time.
2. Supports Group 2 only connection and polling I/O data exchange.
3. For I/O mapping, supports a maximum of 32 words input and 32 words output.
4. Supports EDS file configuration in DeviceNet configuration software.
5. Supports all baud rates on DeviceNet bus: 125 kbps, 250 kbps, 500 kbps and extendable baud rate mode.
6. Node address and baud rate can be set in the AC motor drive.
7. Power is supplied from the AC motor drive.

Specifications

DeviceNet Connector

Interface	5-PIN open pluggable connector. PIN interval: 5.08 mm
Transmission method	CAN
Transmission cable	Shielded twisted-pair cable (with 2 power cables)
Transmission speed	125 kbps, 250 kbps, 500 kbps and extendable baud rate mode
Network protocol	DeviceNet protocol

AC Motor Drive Connection Port

Interface	24 PIN communication terminal
Transmission method	SPI communication
Terminal function	<ol style="list-style-type: none"> 1. Communication module communicates with the AC motor drive through this port. 2. The AC motor drive supplies power to communication module through this port.
Communication protocol	Delta HSSP protocol

Electrical Specification

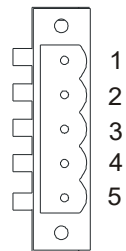
Power supply voltage	15 V _{DC} (supplied by the AC motor drive)
Insulation voltage	500 V _{DC}
Communication cable power consumption	0.85 W
Power consumption	1 W
Weight	23 g

Environment

Noise immunity	ESD (IEC 61800-5-1, IEC 6100-4-2) EFT (IEC 61800-5-1, IEC 6100-4-4) Surge Test (IEC 61800-5-1, IEC 6100-4-5) Conducted Susceptibility Test (IEC 61800-5-1, IEC 6100-4-6)
Operation / storage	Operation: -10–50°C (temperature), 90% (humidity) Storage: -25–70°C (temperature), 95% (humidity)
Shock / vibration resistance	International standards: IEC 61800-5-1, IEC 60068-2-6 / IEC 61800-5-1, IEC 60068-2-27

DeviceNet Connector

PIN	Signal	Color	Definition
1	V+	Red	24 V _{DC}
2	H	White	Signal+
3	S	-	Ground
4	L	Blue	Signal-
5	V-	Black	0 V



■ LED Indicator & Troubleshooting

There are two LED indicators on the CMM-DN02: NS LED and MS LED. NS LED and MS LED are dual-color LEDs, displaying the connection status and error messages of the communication module.

NS LED

LED status	Indication	Corrective Action
Off	No power supply or the CMM-DN02 does not pass the MAC ID test.	<ol style="list-style-type: none"> 1. Check the power to the CMM-DN02 and see if the connection is normal. 2. Make sure there is at least one node on the bus. 3. Check if the baud rate of the CMM-DN02 is the same as that of the other nodes.
Green light flashes	The CMM-DN02 is on-line but does not connect to the master.	<ol style="list-style-type: none"> 1. Configure the CMM-DN02 to the scan list of the master. 2. Re-download the configured data to the master.

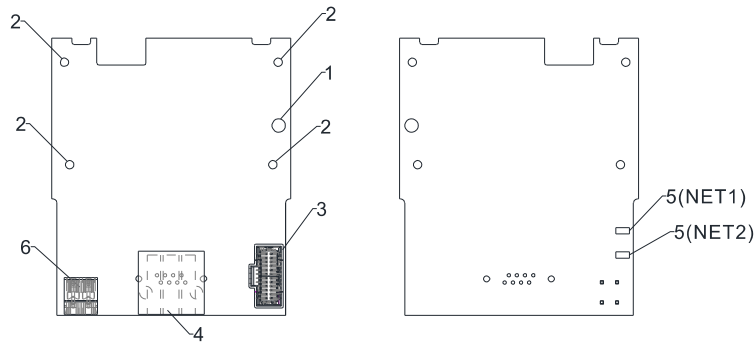
Green light on	The CMM-DN02 is on-line and normally connects to the master.	No action is required.
LED status	Indication	Corrective Action
Red light flashes	The CMM-DN02 is on-line, but I/O connection is timed-out.	<ol style="list-style-type: none"> 1. Check if the network connection is normal. 2. Check if the master operates normally.
Red light on	<ol style="list-style-type: none"> 1. Broken communication 2. MAC ID test failure 3. No network power supply. 4. CMM-DN02 is off-line. 	<ol style="list-style-type: none"> 1. Make sure all MAC IDs on the network are unique. 2. Check if the network installation is normal. 3. Check if the baud rate of the CMM-DN02 is the same as that of the other nodes. 4. Check if the node address of the CMM-DN02 is illegal. 5. Check if the network power supply is normal.

MS LED

LED status	Indication	Corrective Action
Off	No power supply or device is off-line	Check the power supply of the CMM-DN02 and see if the connection is normal.
Green light flashes	Waiting for I/O data	Switch the master PLC to RUN status.
Green light on	I/O data is normal	No action is required.
Red light flashes	Mapping error	<ol style="list-style-type: none"> 1. Reset the CMM-DN02. 2. Re-power the AC motor drive.
Red light on	Hardware error	<ol style="list-style-type: none"> 1. See the fault codes displayed on the keypad and find the causes. 2. Return the unit to the factory for repair if necessary.
Orange light flashes	The CMM-DN02 is connecting with the AC motor drive.	If the flashing lasts for a long period of time, turn off the power to check if the CMM-DN02 and the AC motor drive install correctly and are normally connected to each other.

8-4 CMM-EIP02

Product Profile



1. Screw fixing hole
2. Positioning hole
3. AC motor drive connection port
4. Communication port
5. Indicator NET1, NET2
6. Ground terminal block

Wire gauge: 0.25–0.5 mm² [24–20 AWG]

Stripping length: 7–8 mm

Screw torque: 2 kg-cm / [1.7 lb-in.] / [0.2 Nm]

Features

1. Supports Modbus TCP and EtherNet/IP protocol
2. 32 / 32 words parameter reading / writing correspondence
3. User-defined corresponding parameters
4. MDI / MDI-X auto-detect
5. E-mail alarm
6. IP filter simple firewall function

Specifications

Network Interface

Interface	RJ45 with Auto MDI / MDIX
Number of ports	1 Port
Transmission method	IEEE 802.3, IEEE 802.3u
Transmission cable	Category 5e shielding 100 M
Transmission speed	10/100 Mbps Auto-Detect
Network protocol	ICMP, IP, TCP, UDP, DHCP, HTTP, SMTP, Modbus over TCP/IP, EtherNet/IP, Delta Configuration

Electrical Specification

Power supply voltage	15 V _{DC}
Insulation voltage	500 V _{DC}
Power consumption	0.8 W
Weight	25 g

Environment

Noise immunity	ESD (IEC 61800-5-1, IEC 61000-4-2) EFT (IEC 61800-5-1, IEC 61000-4-4) Surge Test (IEC 61800-5-1, IEC 61000-4-5) Conducted Susceptibility Test (IEC 61800-5-1, IEC 61000-4-6)
Operation / storage	Operation: -10–50°C (temperature), 90% (humidity) Storage: -25–70°C (temperature), 95% (humidity)
Shock / vibration resistance	International standards: IEC 61800-5-1, IEC 60068-2-6 / IEC 61800-5-1, IEC 60068-2-27

■ **Installation**

Connecting the CMM-EIP02 to the Network

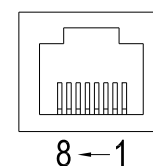
1. Turn off the power of the drive.
2. Open the front cover of the drive.
3. Connect the CAT-5e network cable to the RJ45 port of the CMM-EIP02 (as shown in the right figure).



RJ45 PIN Definition

PIN	Signal	Definition
1	Tx+	Positive pole for data transmission
2	Tx-	Negative pole for data transmission
3	Rx+	Positive pole for data reception
4	--	N/C

PIN	Signal	Definition
5	--	N/C
6	Rx-	Negative pole for data reception
7	--	N/C
8	--	N/C



■ **VFD-MS300 Communication Parameter Settings when Connecting to Ethernet**

When you connect the VFD-MS300 to Ethernet, set up the communication parameters based on the table below. The Ethernet master reads and writes the frequency command words and operation command words after you set the communication parameters.

Parameters	Function	Current Setting Value	Description
00-20	Master frequency command source	8	The frequency command is controlled by the communication card.
00-21	Operation command source	5	The operation command is controlled by the communication card.
09-30	Communication decoding method	0	The decoding method for Delta AC motor drive.
09-75	IP configuration	0	0: Static IP 1: Dynamic IP (DHCP)
09-76	IP address 1	192	IP address <u>192</u> .168.1.5
09-77	IP address 2	168	IP address 192. <u>168</u> .1.5

Parameters	Function	Current Setting Value	Description
09-78	IP address 3	1	IP address 192.168.1.5
09-79	IP address 4	5	IP address 192.168.1.5
09-80	Netmask 1	255	Netmask <u>255</u> .255.255.0
09-81	Netmask 2	255	Netmask 255. <u>255</u> .255.0
09-82	Netmask 3	255	Netmask 255.255. <u>255</u> .0
09-83	Netmask 4	0	Netmask 255.255.255. <u>0</u>
09-84	Default gateway 1	192	Default gateway <u>192</u> .168.1.1
09-85	Default gateway 2	168	Default gateway 192. <u>168</u> .1.1
09-86	Default gateway 3	1	Default gateway 192.168. <u>1</u> .1
09-87	Default gateway 4	1	Default gateway 192.168.1. <u>1</u>

■ LED Indicator & Troubleshooting

There are two LED indicators on the CMM-EIP02: POWER LED and LINK LED. POWER LED displays the status of the working power. LINK LED displays the connection status of the communication.

LED Indicators

LED	Status	Indication	Corrective Action	
POWER	Green	On	Power supply in normal status	No action is required.
		Off	No power supply	Check the power supply.
LINK	Green	On	Network connection in normal status	No action is required.
		Flashes	Network in operation	No action is required.
		Off	Network not connected	Check if the network cable is connected.

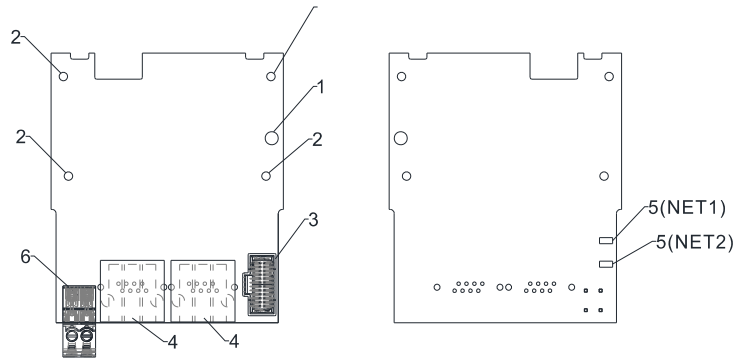
Troubleshooting

Abnormality	Cause	Corrective Action
POWER LED off	The AC motor drive is not powered.	Check the power of the AC motor drive, and see if the power supply is normal.
	The CMM-EIP02 is not connected to the AC motor drive.	Ensure that the CMM-EIP02 is connected to the AC motor drive.
LINK LED off	The CMM-EIP02 is not connected to network.	Ensure that the network cable is correctly connected to network.
	Poor contact to the RJ45 connector	Ensure that the RJ45 connector is connected to the Ethernet port.
Cannot find communication card	The CMM-EIP02 is not connected to the network.	Ensure that the CMM-EIP02 is correctly connected to the network.
	The PC and the CMM-EIP02 are in different networks and blocked by network firewall.	Search by IP or set up relevant settings using the AC motor drive keypad.

Abnormality	Cause	Corrective Action
Cannot open CMM-EIP02 setup page	The CMM-EIP02 is not connected to the network.	Ensure that the CMM-EIP02 is correctly connected to the network.
	Incorrect communication setting in DCISoft	Ensure that the communication setting in DCISoft is set to Ethernet.
	The PC and the CMM-EIP02 are in different networks and blocked by network firewall.	Set up with the AC motor drive keypad.
The CMM-EIP02 setup page opens successfully but webpage monitoring is unavailable	Incorrect network setting in the CMM-EIP02	Check if the network setting for the CMM-EIP02 is correct. For the Intranet setting in your company, please consult your IT staff. For the Internet setting at home, please refer to the network setting instructions provided by your ISP.
Cannot send e-mails	Incorrect network setting in the CMM-EIP02	Check if the network setting for the CMM-EIP02 is correct.
	Incorrect mail server setting	Confirm the IP address for the SMTP-Server.

8-5 CMM-COP02

Product Profile



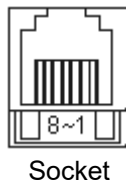
1. Screw fixing hole
2. Positioning hole
3. AC motor drive connection port
4. Communication port
5. Indicator NET1, NET2
6. Ground terminal block

Wire gauge: 0.25–0.5 mm² [24–20 AWG]

Stripping length: 7–8 mm

Screw torque: 2 kg-cm / [1.7 lb-in.] / [0.2 Nm]

RJ45 Pin Definition



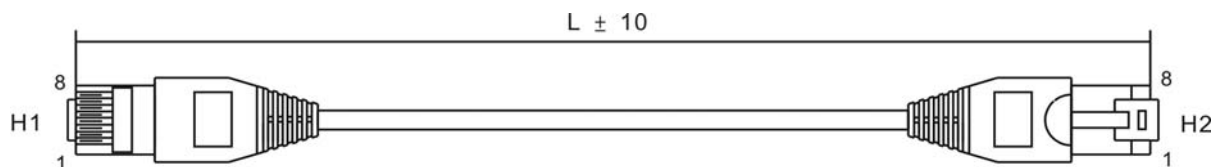
Socket

PIN	Signal	Definition
1	CAN_H	CAN_H bus line (dominant high)
2	CAN_L	CAN_L bus line (dominant low)
3	CAN_GND	Ground / 0 V / V-
7	CAN_GND	Ground / 0 V / V-

Specifications

Interface	RJ45
Number of ports	2 Port
Transmission method	CAN
Transmission cable	CAN standard cable
Transmission speed	1 Mbps; 500 kbps; 250 kbps; 125 kbps; 100 kbps; 50 kbps
Communication protocol	CANopen protocol
Terminating resistance	CMM-COP02 contains terminal resistance accessories. Install the terminal resistance accessories to one of the network connectors when using CMM-COP02.

CANopen Communication Cable

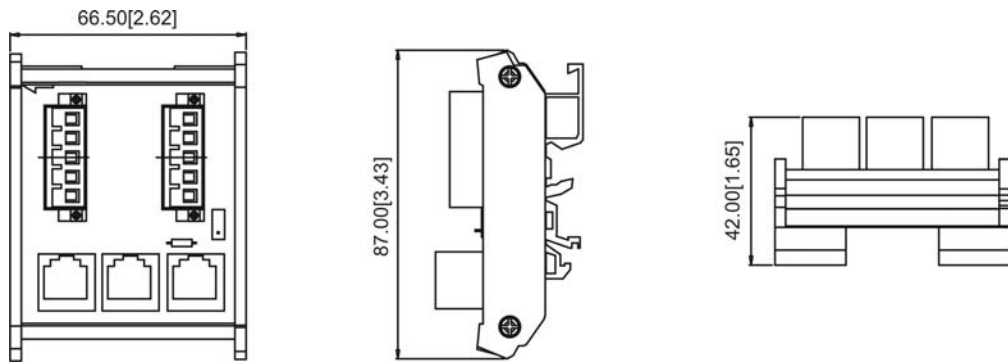


Title	Part No.	L	
		mm	inch
1	UC-CMC003-01A	300	11.8
2	UC-CMC005-01A	500	19.6
3	UC-CMC010-01A	1000	39
4	UC-CMC015-01A	1500	59
5	UC-CMC020-01A	2000	78.7
6	UC-CMC030-01A	3000	118.1
7	UC-CMC050-01A	5000	196.8
8	UC-CMC100-01A	10000	393.7
9	UC-CMC200-01A	20000	787.4

■ **CANopen Dimension**

Model: TAP-CN03

Unit: mm [inch]

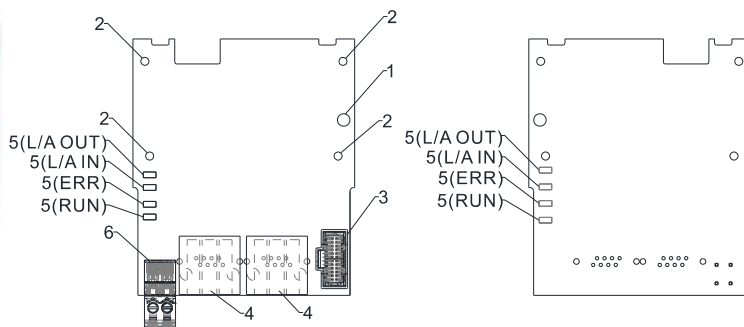


 **NOTE**

For details on how to operate the CANopen communication card, refer to the CANopen operation manual or download the related manuals from Delta's website at <http://www.delta.com.tw/industrialautomation/>.

8-6 CMM-EC02

Product Profile



1. Screw fixing hole
2. Positioning hole
3. AC motor drive connection port
4. Communication port
5. Indicator
6. +24V terminal block

Wire gauge: 0.25–0.5 mm² [24–20 AWG]

Stripping length: 7–8 mm

Screw torque: 2 kg-cm / [1.7 lb-in.] / [0.2 Nm]

Features

1. Supports speed mode
2. Supports standard CANopen CiA 402 decoding (CoE)
3. Supports reading and writing parameters
4. Supports stop during disconnection

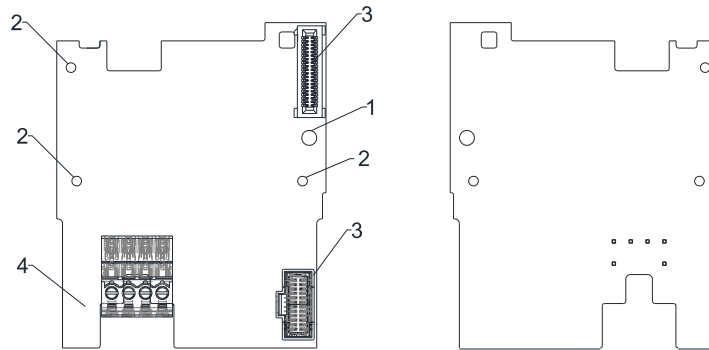
Specifications

Network Interface

Interface	RJ45
Number of ports	2 ports
Transmission method	IEEE 802.3, IEEE 802.3u
Transmission cable	Category 5e shielding 100M
Transmission speed	100 Mbps

8-7 EMM-BPS02

■ Product Profile



1. Screw fixing hole
2. Positioning hole
3. AC motor drive connection port
4. +24 V terminal block

Wire gauge: 0.25–0.5 mm² [24–20 AWG]

Stripping length: 7–8 mm

Screw torque: 2 kg-cm / [1.7 lb-in.] / [0.2 Nm]

■ Features

1. Provides external power supply
2. Supports 24 V_{DC} input.
3. Supports parameter reading and writing and status monitoring of the drive.

■ Specifications

When the drive is only powered by the EMM-BPS02, the EMM-BPS02 ensures the communication works normally, and supports all communication cards and the following functions.

- Parameter reading and writing
- Keypad display
- Keys on the keyboard panel (except the RUN key)
- Analog input with +10 V terminal supply power
- Multi-function inputs (FWD, REV, MI1–MI7) with +24 V terminal or external power supply
- Relay output
- Pulse sequence frequency command

The following functions does not support:

- DFM digital frequency signal output
- AFM multi-function analog voltage output
- PLC functions

8-8 Delta Standard Fieldbus Cables

Delta Cables	Part Number	Description	Length
CANopen Cable / Digital Keypad RJ45 Extension Lead	UC-CMC003-01A	CANopen cable, RJ45 connector	0.3 m
	UC-CMC005-01A	CANopen cable, RJ45 connector	0.5 m
	UC-CMC010-01A	CANopen cable, RJ45 connector	1 m
	UC-CMC015-01A	CANopen cable, RJ45 connector	1.5 m
	UC-CMC020-01A	CANopen cable, RJ45 connector	2 m
	UC-CMC030-01A	CANopen cable, RJ45 connector	3 m
	UC-CMC050-01A	CANopen cable, RJ45 connector	5 m
	UC-CMC100-01A	CANopen cable, RJ45 connector	10 m
	UC-CMC200-01A	CANopen cable, RJ45 connector	20 m
DeviceNet Cable	UC-DN01Z-01A	DeviceNet cable	305 m
	UC-DN01Z-02A	DeviceNet cable	305 m
Ethernet / EtherCAT Cable	UC-EMC003-02A	Ethernet / EtherCAT cable, Shielding	0.3 m
	UC-EMC005-02A	Ethernet / EtherCAT cable, Shielding	0.5 m
	UC-EMC010-02A	Ethernet / EtherCAT cable, Shielding	1 m
	UC-EMC020-02A	Ethernet / EtherCAT cable, Shielding	2 m
	UC-EMC050-02A	Ethernet / EtherCAT cable, Shielding	5 m
	UC-EMC100-02A	Ethernet / EtherCAT cable, Shielding	10 m
	UC-EMC200-02A	Ethernet / EtherCAT cable, Shielding	20 m
PROFIBUS Cable	UC-PF01Z-01A	PROFIBUS DP cable	305 m

[This page intentionally left blank]

Chapter 9 Specifications

9-1 115V Series

9-2 230V Series

9-3 460V Series

9-4 575V Series

9-5 General Specifications

9-6 Environment for Operation, Storage and Transportation

9-7 Derating for Ambient Temperature, Altitude and Carrier Frequency

9-1 115V Series

115V series one-phase (without built-in filter)

Frame		A		C	
Model VFD_-----	ANSAA ENSAA	1A6MS11	2A5MS11	4A8MS11	
Applicable Motor Output [kW]		0.2	0.4	0.75	
Applicable Motor Output [HP]		1/4	1/2	1	
Output	Heavy duty	Rated Output Capacity [kVA]	0.6	1.0	1.8
		Rated Output Current [A]	1.6	2.5	4.8
		Carrier Frequency [kHz]	2-15 (Default: 4)		
	Normal duty	Rated Output Capacity [kVA]	0.7	1.0	2.1
		Rated Output Current [A]	1.8	2.7	5.5
		Carrier Frequency [kHz]	2-15 (Default: 4)		
Input	Rated Input Current [A]	Heavy Duty	6.0	9.4	18
		Normal Duty	6.8	10.1	20.6
	Rated Voltage / Frequency		One-phase 100-120 V _{AC} (-15-10%), 50/60 Hz		
	Mains Input Voltage Range [V _{AC}]		85-132		
	Mains Frequency Range [Hz]		47-63		
Weight [kg]		0.65	0.74	1.24	
Cooling Method		Convective cooling		Fan cooling	
EMC Filter		Optional			
IP Rating		VFD_-----ANSAA: IP20 VFD_-----ENSAA : IP40*			

 **NOTE**

- IP40*: The IP ratings of the wiring area (main circuit terminals and control terminals for frame A/B/C/D/E/F) and the vent near the capacitor (frame C/D/E/F) are both IP20.
- The value of the carrier frequency is a factory default. Decrease the current value if you need to increase the carrier frequency. Refer to Section 9-7 Derating for Ambient Temperature and Altitude for details.
- For shock or impact load applications, select a drive with a larger capacity model.

9-2 230V Series

230V series one-phase (without built-in filter)

Frame		A		B	C		
Model VFD_-----	ANSAA ENSAA	1A6MS21	2A8MS21	4A8MS21	7A5MS21	11AMS21	
Applicable Motor Output [kW]		0.2	0.4	0.75	1.5	2.2	
Applicable Motor Output [HP]		1/4	1/2	1	2	3	
Output	Heavy duty	Rated Output Capacity [kVA]	0.6	1.1	1.8	2.9	4.2
		Rated Output Current [A]	1.6	2.8	4.8	7.5	11
		Carrier Frequency [kHz]	2–15 (Default: 4)				
	Normal duty	Rated Output Capacity [kVA]	0.7	1.2	1.9	3.2	4.8
		Rated Output Current [A]	1.8	3.2	5	8.5	12.5
		Carrier Frequency [kHz]	2–15 (Default: 4)				
Input	Rated Input Current [A]	Heavy Duty	5.1	7.3	10.8	16.5	24.2
		Normal Duty	5.8	8.3	11.3	18.5	27.5
	Rated Voltage / Frequency		One-phase 200–240 V _{AC} (-15–10%), 50/60 Hz				
	Mains Input Voltage Range [V _{AC}]		170–265				
	Mains Frequency Range [Hz]		47–63				
Weight [kg]		0.65	0.76	0.95	1.24		
Cooling Method		Convective cooling			Fan cooling		
EMC Filter		Optional					
IP Rating		VFD_-----ANSAA : IP20 VFD_-----ENSAA : IP40*					

230V series one-phase (with built-in filter)

Frame		B			C		
Model VFD_-----	AFSAA	1A6MS21	2A8MS21	4A8MS21	7A5MS21	11AMS21	
Applicable Motor Output [kW]		0.2	0.4	0.75	1.5	2.2	
Applicable Motor Output [HP]		1/4	1/2	1	2	3	
Output	Heavy duty	Rated Output Capacity [kVA]	0.6	1.1	1.8	2.9	4.2
		Rated Output Current [A]	1.6	2.8	4.8	7.5	11
		Carrier Frequency [kHz]	2–15 (Default: 4)				
	Normal duty	Rated Output Capacity [kVA]	0.7	1.2	1.9	3.2	4.8
		Rated Output Current [A]	1.8	3.2	5	8.5	12.5
		Carrier Frequency [kHz]	2–15 (Default: 4)				
Input	Rated Input Current [A]	Heavy Duty	5.1	7.3	10.8	16.5	24.2
		Normal Duty	5.8	8.3	11.3	18.5	27.5
	Rated Voltage / Frequency		One-phase 200–240 V _{AC} (-15–10%), 50/60 Hz				
	Mains Input Voltage Range [V _{AC}]		170–265				
Mains Frequency Range [Hz]		47–63					
Weight [kg]		1.32			1.8		
Cooling Method		Convective cooling	Fan cooling				
EMC Filter		Built-in					
IP Rating		IP20					

NOTE

- IP40*: The IP ratings of the wiring area (main circuit terminals and control terminals for frame A/B/C/D/E/F) and the vent near the capacitor (frame C/D/E/F) are both IP20.
- The value of the carrier frequency is a factory default. Decrease the current value if you need to increase the carrier frequency. Refer to Section 9-7 Derating for Ambient Temperature and Altitude for details.
- For shock or impart load applications, select a drive with a higher capacity model.

230V series three-phase (without built-in filter)

Frame		A			B	C	
Model VFD_____	ANSAA ENSAA	1A6MS23	2A8MS23	4A8MS23	7A5MS23	11AMS23	
Applicable Motor Output [kW]		0.2	0.4	0.75	1.5	2.2	
Applicable Motor Output [HP]		1/4	1/2	1	2	3	
Output	Heavy duty	Rated Output Capacity [kVA]	0.6	1.1	1.8	2.9	4.2
		Rated Output Current [A]	1.6	2.8	4.8	7.5	11
		Carrier Frequency [kHz]	2–15 (Default: 4)				
	Normal duty	Rated Output Capacity [kVA]	0.7	1.2	1.9	3.0	4.8
		Rated Output Current [A]	1.8	3.2	5	8	12.5
		Carrier Frequency [kHz]	2–15 (Default: 4)				
Input	Rated Input Current [A]	Heavy Duty	1.9	3.4	5.8	9.0	13.2
		Normal Duty	2.2	3.8	6.0	9.6	15
	Rated Voltage / Frequency		Three-phase 200–240 V _{AC} (-15–10%), 50/60 Hz				
	Mains Input Voltage Range [V _{AC}]		170–265				
	Mains Frequency Range [Hz]		47–63				
Weight [kg]		0.65	0.68	0.81	1.05	1.24	
Cooling Method		Convective cooling			Fan cooling		
EMC Filter		Optional					
IP Rating		VFD_____ANSAA : IP20 VFD_____ENSAA : IP40*					

230V series three-phase (without built-in filter)

Frame		C	D	E		F	
Model VFD_____	ANSAA ENSAA	17AMS23	25AMS23	33AMS23	49AMS23	65AMS23	
Applicable Motor Output [kW]		3.7	5.5	7.5	11	15	
Applicable Motor Output [HP]		5	7.5	10	15	20	
Output	Heavy duty	Rated Output Capacity [kVA]	6.5	9.5	12.6	18.7	24.8
		Rated Output Current [A]	17	25	33	49	65
		Carrier Frequency [kHz]	2–15 (Default: 4)				
	Normal duty	Rated Output Capacity [kVA]	7.4	10.3	13.7	19.4	26.3
		Rated Output Current [A]	19.5	27	36	51	69
		Carrier Frequency [kHz]	2–15 (Default: 4)				
Input	Rated Input Current [A]	Heavy Duty	20.4	30	39.6	58.8	78
		Normal Duty	23.4	32.4	43.2	61.2	82.8
	Rated Voltage / Frequency		Three-phase 200–240 V _{AC} (-15–10%), 50/60 Hz				
	Mains Input Voltage Range [V _{AC}]		170–265				
Mains Frequency Range [Hz]		47–63					
Weight [kg]		1.24	2.07	3.97		6.25	
Cooling Method		Fan cooling					
EMC Filter		Optional					
IP Rating		VFD_____ANSAA : IP20 VFD_____ENSAA : IP40*					



NOTE

- IP40*: The IP ratings of the wiring area (main circuit terminals and control terminals for frame A/B/C/D/E/F) and the vent near the capacitor (frame C/D/E/F) are both IP20.
- The value of the carrier frequency is a factory default. Decrease the current value if you need to increase the carrier frequency. Refer to Section 9-7 Derating for Ambient Temperature and Altitude for details.
- For shock or impact load applications, select a drive with a larger capacity model.

9-3 460V Series

460V series three-phase (without built-in filter)

Frame		A		B	C		
Model VFD_-----	ANSAA ENSAA	1A5MS43	2A7MS43	4A2MS43	5A5MS43	9A0MS43	
Applicable Motor Output [kW]		0.4	0.75	1.5	2.2	3.7	
Applicable Motor Output [HP]		0.5	1	2	3	5	
Output	Heavy duty	Rated Output Capacity [kVA]	1.1	2.1	3.2	4.2	6.9
		Rated Output Current [A]	1.5	2.7	4.2	5.5	9
		Carrier Frequency [kHz]	2–15 (Default: 4)				
	Normal duty	Rated Output Capacity [kVA]	1.4	2.3	3.5	5.0	8.0
		Rated Output Current [A]	1.8	3	4.6	6.5	10.5
		Carrier Frequency [kHz]	2–15 (Default: 4)				
Input	Rated Input Current [A]	Heavy Duty	1.7	3.0	4.6	6.1	9.9
		Normal Duty	2.0	3.3	5.1	7.2	11.6
	Rated Voltage / Frequency		Three-phase 380–480 V _{AC} (-15–10%), 50/60 Hz				
	Mains Input Voltage Range [V _{AC}]		323–528				
	Mains Frequency Range [Hz]		47–63				
Weight [kg]		0.76	0.81	1.0	1.24		
Cooling Method		Convective cooling			Fan cooling		
EMC Filter		Optional					
IP Rating		VFD_-----ANSAA : IP20 VFD_-----ENSAA : IP40*					

460V series three-phase (with built-in filter)

Frame		B			C		
Model VFD_-----	AFSAA	1A5MS43	2A7MS43	4A2MS43	5A5MS43	9A0MS43	
Applicable Motor Output [kW]		0.4	0.75	1.5	2.2	3.7	
Applicable Motor Output [HP]		0.5	1	2	3	5	
Output	Heavy duty	Rated Output Capacity [kVA]	1.1	2.1	3.2	4.2	6.9
		Rated Output Current [A]	1.5	2.7	4.2	5.5	9
		Carrier Frequency [kHz]	2–15 (Default: 4)				
	Normal duty	Rated Output Capacity [kVA]	1.4	2.3	3.5	5.0	8.0
		Rated Output Current [A]	1.8	3	4.6	6.5	10.5
		Carrier Frequency [kHz]	2–15 (Default: 4)				
Input	Rated Input Current [A]	Heavy Duty	1.7	3.0	4.6	6.1	9.9
		Normal Duty	2.0	3.3	5.1	7.2	11.6
	Rated Voltage / Frequency		Three-phase 380–480 V _{AC} (-15–10%), 50/60 Hz				
	Mains Input Voltage Range [V _{AC}]		323–528				
Mains Frequency Range [Hz]		47–63					
Weight [kg]		1.32			1.80		
Cooling Method		Fan cooling					
EMC Filter		Built-in					
IP Rating		IP20					

NOTE

- IP40*: The IP ratings of the wiring area (main circuit terminals and control terminals for frame A/B/C/D/E/F) and the vent near the capacitor (frame C/D/E/F) are both IP20.
- The value of the carrier frequency is a factory default. Decrease the current value if you need to increase the carrier frequency. Refer to Section 9-7 Derating for Ambient Temperature and Altitude for details.
- For shock or impact load applications, select a drive with a larger capacity model.

460V series three-phase (without built-in filter)

Frame		D		E		F		
Model VFD_____	ANSAA ENSAA	13AMS43	17AMS43	25AMS43	32AMS43	38AMS43	45AMS43	
Applicable Motor Output [kW]		5.5	7.5	11	15	18.5	22	
Applicable Motor Output [HP]		7.5	10	15	20	25	30	
Output	Heavy duty	Rated Output Capacity [kVA]	9.9	13	19.1	24.4	29	34.3
		Rated Output Current [A]	13	17	25	32	38	45
		Carrier Frequency [kHz]	2–15 (Default: 4)					
	Normal duty	Rated Output Capacity [kVA]	12	15.6	21.3	27.4	31.6	37.3
		Rated Output Current [A]	15.7	20.5	28	36	41.5	49
		Carrier Frequency [kHz]	2–15 (Default: 4)					
Input	Rated Input Current [A]	Heavy Duty	14.3	18.7	27.5	35.2	41.8	49.5
		Normal Duty	17.3	22.6	30.8	39.6	45.7	53.9
	Rated Voltage / Frequency		Three-phase 380–480 V _{AC} (-15–10%), 50/60 Hz					
	Mains Input Voltage Range [V _{AC}]		323–528					
	Mains Frequency Range [Hz]		47–63					
Weight [kg]		2.07		3.97		6.25		
Cooling Method		Fan cooling						
EMC Filter		Optional						
IP Rating		VFD_____ANSAA : IP20 VFD_____ENSAA : IP40*						

460V series three-phase (with built-in filter)

Frame		D		E		F		
Model VFD_____	AFSAA	13AMS43	17AMS43	25AMS43	32AMS43	38AMS43	45AMS43	
Applicable Motor Output [kW]		5.5	7.5	11	15	18.5	22	
Applicable Motor Output [HP]		7.5	10	15	20	25	30	
Output	Heavy duty	Rated Output Capacity [kVA]	9.9	13	19.1	24.4	29	34.3
		Rated Output Current [A]	13	17	25	32	38	45
		Carrier Frequency [kHz]	2–15 (Default: 4)					
	Normal duty	Rated Output Capacity [kVA]	12	15.6	21.3	27.4	31.6	37.3
		Rated Output Current [A]	15.7	20.5	28	36	41.5	49
		Carrier Frequency [kHz]	2–15 (Default: 4)					
Input	Rated Input Current [A]	Heavy Duty	14.3	18.7	27.5	35.2	41.8	49.5
		Normal Duty	17.3	22.6	30.8	39.6	45.7	53.9
	Rated Voltage / Frequency		Three-phase 380–480 V _{AC} (-15–10%), 50/60 Hz					
	Mains Input Voltage Range [V _{AC}]		323–528					
Mains Frequency Range [Hz]		47–63						
Weight [kg]		2.91		5.15		8.50		
Cooling Method		Fan cooling						
EMC Filter		Built-in						
IP Rating		IP20						

 **NOTE**

- IP40*: The IP ratings of the wiring area (main circuit terminals and control terminals for frame A/B/C/D/E/F) and the vent near the capacitor (frame C/D/E/F) are both IP20.
- The value of the carrier frequency is a factory default. Decrease the current value if you need to increase the carrier frequency. Refer to Section 9-7 Derating for Ambient Temperature and Altitude for details.
- For shock or impact load applications, select a drive with a larger capacity model.

9-4 575V Series

575V series three-phase (without built-in filter)

Frame		A	B	C		D		
Model VFD_-----	ANSAA	1A7MS53	3A0MS53	4A2MS53	6A6MS53	9A9MS53	12AMS53	
Applicable Motor Output [kW]		0.75	1.5	2.2	3.7	5.5	7.5	
Applicable Motor Output [HP]		1	2	3	5	7.5	10	
Output	Heavy duty	Rated Output Capacity [kVA]	1.7	3	4.2	6.6	9.9	12.2
		Rated Output Current [A]	1.7	3	4.2	6.6	9.9	12.2
		Carrier Frequency [kHz]	2–15 (Default: 4)					
	Normal duty	Rated Output Capacity [kVA]	2.1	3.6	5	8	11.5	15
		Rated Output Current [A]	2.1	3.6	5	8	11.5	15
		Carrier Frequency [kHz]	2–15 (Default: 4)					
Input	Rated Input Current [A]	Heavy Duty	2	3.5	4.9	7.7	11.5	14.2
		Normal Duty	2.4	4.2	5.8	9.3	13.4	17.5
	Rated Voltage / Frequency		Three-phase 500–600 V _{AC} (-15–10%), 50/60 Hz					
	Mains Input Voltage Range [V _{AC}]		425–660					
	Mains Frequency Range [Hz]		47–63					
Weight [kg]		0.85	0.87	1.18	1.29	2.04		
Cooling Method		Convective cooling	Fan cooling					
EMC Filter		Optional						
IP Rating		IP20						

9-5 General Specifications

Control Characteristics	Control Method	V/F, SVC, FOC Sensorless
	Applicable Motor	IM (Induction Motor), Simple PM motor control (IPM and SPM)
	Starting Torque [Note 1]	150% / 3 Hz (V/F, SVC control for IM, heavy duty, rated) 100% / (motor rated frequency/20) (SVC control for PM, heavy duty, rated) 200% / 0.5 Hz (FOC control for IM, heavy duty, rated)
	Speed Control Range [Note 1]	1: 50 (V/F, SVC control for IM, heavy duty, rated) 1: 20 (SVC control for PM, heavy duty, rated) 1: 100 (FOC control for IM, heavy duty, rated)
	Max. Output Frequency	0.00–599.00 Hz
	Overload Capacity	Normal duty: rated output current of 120% 60 sec., 150% 3 sec. Heavy duty: rated output current of 150% 60 sec., 200% 3 sec.
	Frequency Setting Signal	0–10 V / -10–10 V 4–20 mA / 0–10 V 1 channel pulse input (33 kHz), 1 channel pulse output (33 kHz)
	Main Functions	Multiple motor switching (a maximum of four independent motor parameter settings), Fast start-up, Deceleration Energy Back (DEB) function, Wobble frequency function, Fast deceleration function, Master and Auxiliary frequency source selectable, Restart after momentary power loss, Speed tracking, Over-torque detection, 16-step speed (including the master speed), Accel./decel. time switch, S-curve accel./decel., three-wire operation control, JOG frequency, Frequency upper/lower limit settings, DC brake at start-up and stop, PID control, Built-in PLC (2000 steps), and Simple positioning function.
	Application Macro	Built-in application parameter groups (selected by industry) and user-defined application parameter groups.
Protection Characteristics	Motor Protection	Over-current, Over-voltage, Over-heating, Phase loss.
	Stall Prevention	Stall prevention during acceleration, deceleration and running (independent settings).
Accessory	Communication Cards	DeviceNet, EtherNet/IP, PROFIBUS DP, Modbus TCP, CANopen, EtherCAT
	External DC Power Supply	EMM-BPS01 (24 V power backup supply card)
Certifications		UL, CE, RCM, TÜV (SIL 2), RoHS, REACH

[Note 1] Control accuracy may vary depending on the environment, application conditions or different motors. For more information, contact Delta or your local distributors.

9-6 Environment for Operation, Storage and Transportation

DO NOT expose the AC motor drive to a poor environment, such as one with dust, direct sunlight, corrosive/inflammable gasses, humidity, liquids, or excessive vibration. The salt in the air must be less than 0.01 mg/cm² every year.

Environment	Installation Location	IEC 60364-1/ IEC 60664-1 Pollution degree 2, Indoor use only.			
	Surrounding Temperature	Operation	IP20/UL Open Type	-20–50°C -20–60°C with derating	
			IP40/NEMA 1/UL Type 1	-20–40°C	
			Side-by-side Installation	-20–50°C with derating	
		Storage	-40–85°C		
		Transportation	-20–70°C		
		Non-condensing, non-freezing			
	Rated Humidity	Operation	Maximum 90%		
		Storage / Transportation	Maximum 95%		
		No water condensation			
	Air Pressure	Operation	86–106 kPa		
		Storage/ Transportation	70–106 kPa		
	Pollution Level	IEC 60721-3			
		Operation	Class 3C2; Class 3S2		
		Storage	Class 2C2; Class 2S2		
Transportation		Class 1C2; Class 1S2			
Concentrate prohibited					
Altitude	<1000 m (For altitudes > 1000 m, derate to use it.)				
Package Drop	Storage	ISTA procedure 1A (according to weight) IEC 60068-2-31			
	Transportation				
Vibration	Operating	<ul style="list-style-type: none"> · 1.0 mm, peak to peak value range from 2–13.2 Hz; · 0.7–2.0 G range from 13.2–55 Hz; · 2.0 G range from 55–512 Hz. Compliance with IEC 60068-2-6			
	Non-operating	2.5 G peak, 5 Hz–2 kHz 0.015" maximum displacement			
Impact	Operating	15 G, 11 ms Compliance with IEC/EN60068-2-27			
	Non-operating	30 G			

9-7 Derating for Ambient Temperature, Altitude and Carrier Frequency

9-7-1 Derating Curve for Ambient Temperature and Altitude

Protection Level	Operating Environment
IP20 / UL Open Type	If the AC motor drive operates at the rated current, the ambient temperature needs to be between -20–50°C. If the temperature is above 50°C, decrease 2.5% of the rated current for every 1°C increase in temperature. The maximum allowable temperature is 60°C.
IP40 / NEMA1 / UL Type 1	If the AC motor drive operates at the rated current, the ambient temperature needs to be between -20–40°C. If the temperature is above 40°C, decrease 2.5% of the rated current for every 1°C increase in temperature. The maximum allowable temperature is 60°C.
High Altitude	If the AC motor drive is installed at an altitude of 0–1000 m, follow normal operation restrictions. For altitudes of 1000–2000 m, decrease the drive's rated current by 1% or lower the temperature by 0.5°C for every 100 m increase in altitude. The maximum altitude for corner grounded is 2000 m. If installing at an altitude higher than 2000 m is required, contact Delta for more information.

Ambient Temperature Derating Curve

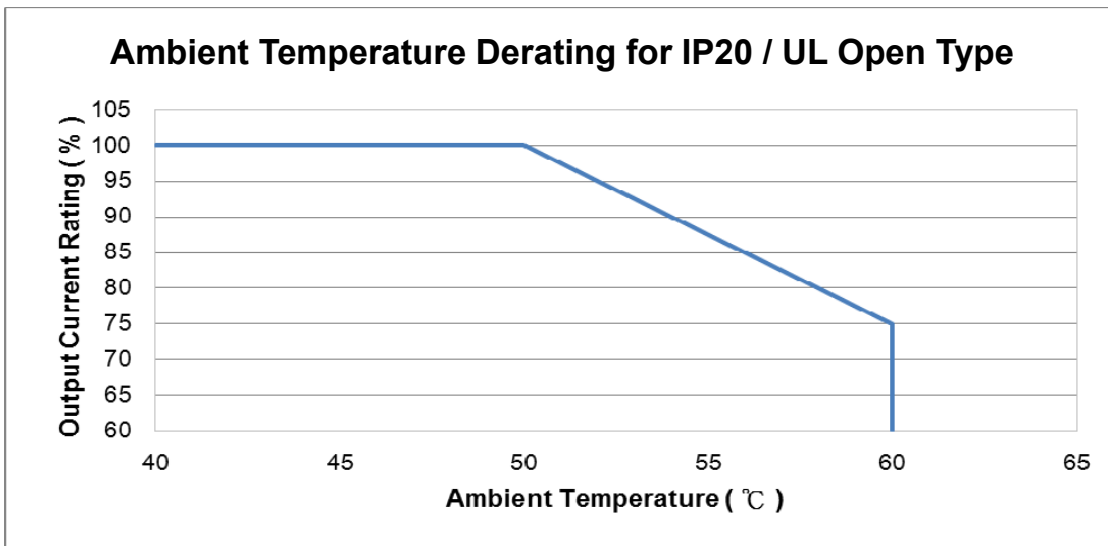


Figure 9-1

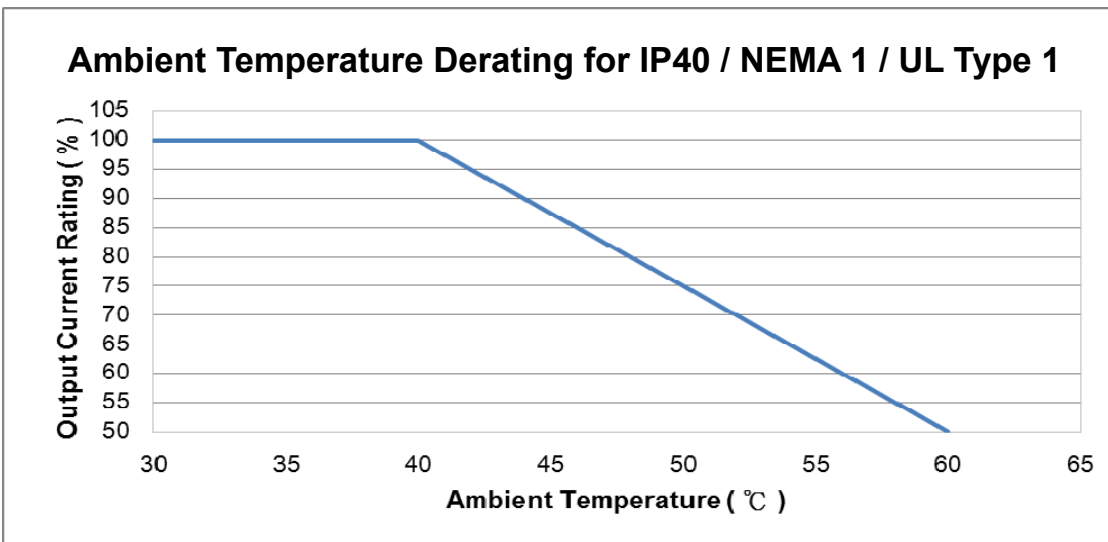


Figure 9-2

For IP20 / UL Open Type

Current derating at ambient temperature				
Ambient temperature		40°C	45°C	50°C
Operating altitude above sea level (m)	0–1000	100%		
	1001–1500	100%		95%
	1501–2000	100%	95%	90%

For IP40 / NEMA1 / UL Type 1

Current derating at ambient temperature				
Ambient temperature		30°C	35°C	40°C
Operating altitude above sea level (m)	0–1000	100%		
	1001–1500	100%		95%
	1501–2000	100%	95%	90%

Altitude Derating Curve

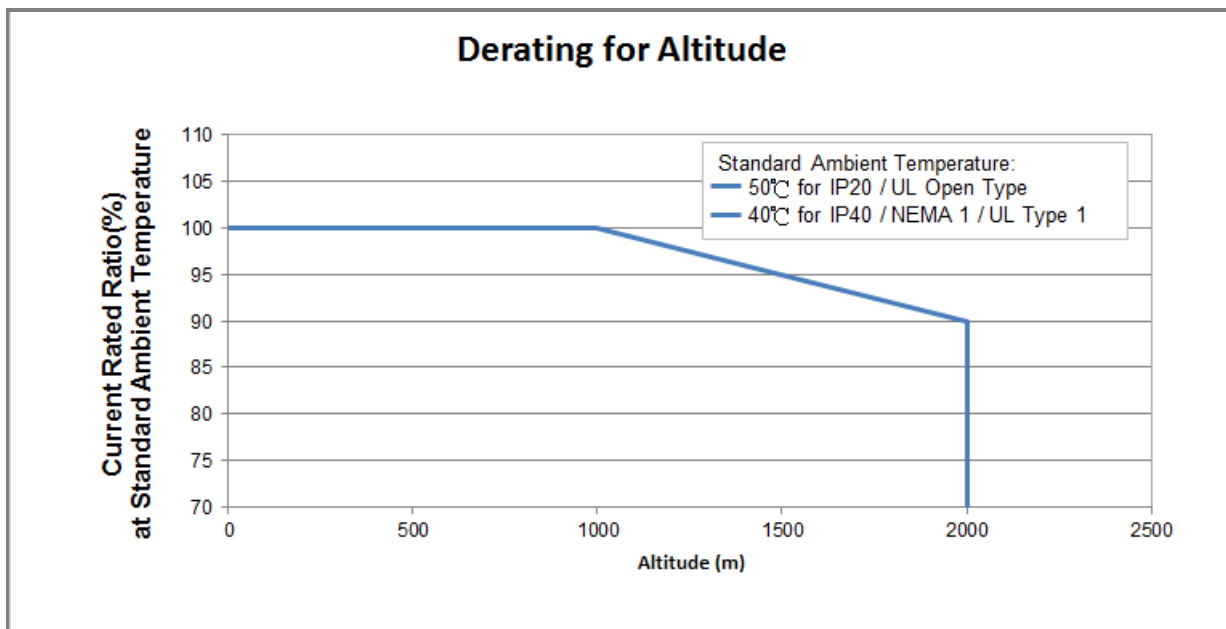


Figure 9-3

9-7-2 Derating Curve for Carrier Frequency

Normal load (Pr.00-16=0)

- SVPWM Mode

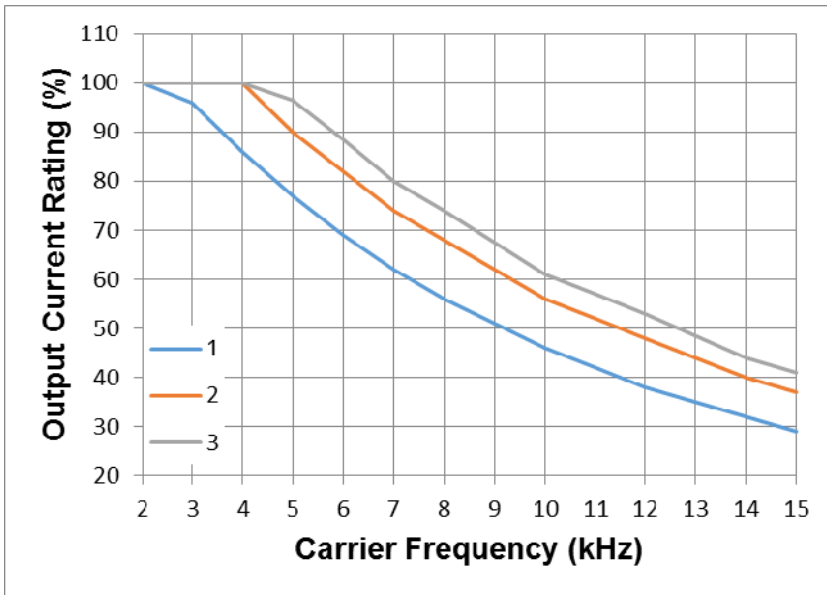


Figure 9-4

- DPWM Mode

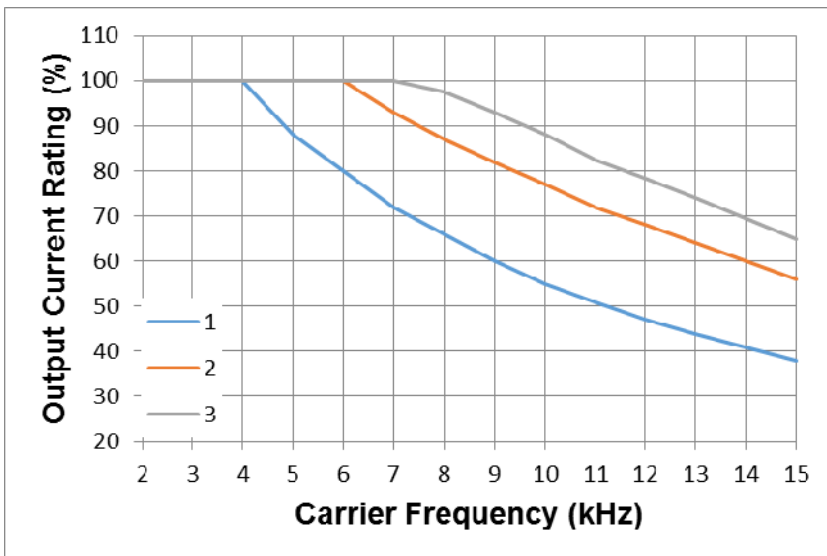


Figure 9-5

Heavy load (Pr.00-16=1)

- SVPWM

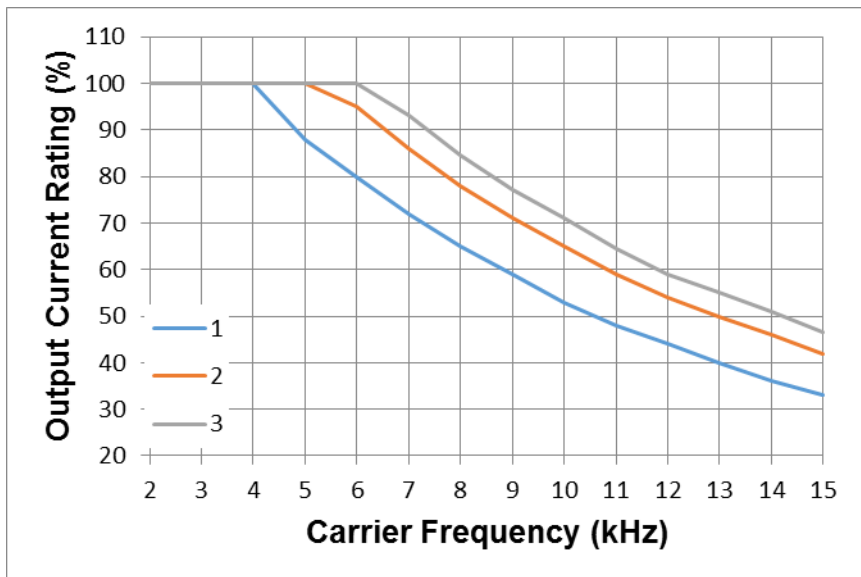


Figure 9-6

- DPWM

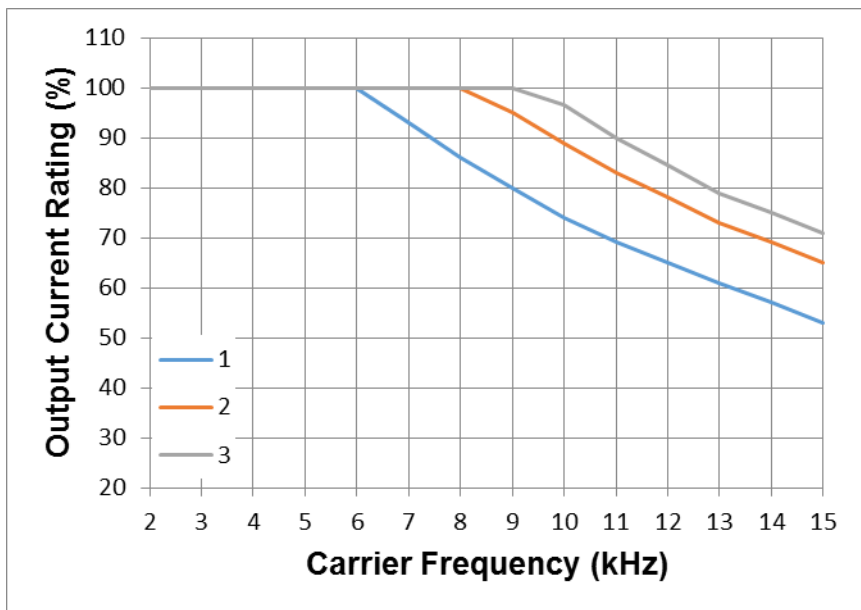


Figure 9-7

- NOTE
 Line 1: $T_a = 50\text{ }^\circ\text{C}$ / Load = 100%
 Line 2: $T_a = 50\text{ }^\circ\text{C}$ / Load = 75% or $T_a = 40\text{ }^\circ\text{C}$ / Load = 100%
 Line 3: $T_a = 50\text{ }^\circ\text{C}$ / Load = 50% or $T_a = 35\text{ }^\circ\text{C}$ / Load = 100%

[This page intentionally left blank]

Chapter 10 Digital Keypad

KPMS-LE01 keyboard panel

Main Display Area

Displays Frequency, Current, Voltage, User-defined Units, Errors and more

Status Display Area

Displays the operation status of the drive: Run, Stop, PLC, Forward, Reverse

Up Key

Changes the setting value and the parameters

Run Key

Starts the drive

Stop / Reset Key

Stops the drive and resets after error

Potentiometer

Adjust the input frequency

Selection Key for Display Screen

Changes the Display Screen mode

Enter Key

1. Enters the setting page, such as Forward command (Frd), Application selection function (APP)
2. Confirm the setting of the parameter

Left Shift / Down Key

Changes the setting value and parameters (Switch between Left Shift and Down by long pressing the Mode Key)

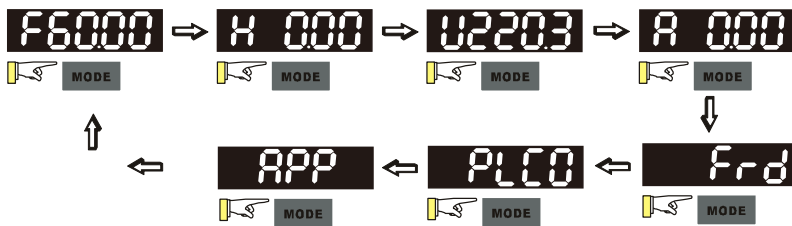


Descriptions of Keypad Functions

Displayed items	Descriptions
RUN ● FWD ● REV ● F6000 ● STOP ● PLC	Displays the present frequency setting for the drive.
RUN ● FWD ● REV ● H5000 ● STOP ● PLC	Displays the actual output frequency to the motor.
RUN ● FWD ● REV ● U 180 ● STOP ● PLC	Displays the user-defined output of a physical quantity. This example uses Pr.00-04=30 (user-defined output).
RUN ● FWD ● REV ● A 500 ● STOP ● PLC	Displays the load current.
RUN ● FWD ● REV ● Frd ● STOP ● PLC	Forward command
RUN ● FWD ● REV ● rEv ● STOP ● PLC	Reverse command
RUN ● FWD ● REV ● c 20 ● STOP ● PLC	Displays the count value.
RUN ● FWD ● REV ● 0600 ● STOP ● PLC	Displays a parameter item.
RUN ● FWD ● REV ● 10 ● STOP ● PLC	Displays a parameter value.
RUN ● FWD ● REV ● EF ● STOP ● PLC	Displays an external fault.
RUN ● FWD ● REV ● End ● STOP ● PLC	Displays "End" for approximately one second if the data has been accepted and automatically stored in the register.
RUN ● FWD ● REV ● Err ● STOP ● PLC	Displays if the setting data is not accepted or data value exceeds the allowed range.

Keypad Operation Process

A. Main Page Selection



Note 1: In screen selection mode, press **ENTER** to set the parameters.

Note 2: App displays only when Pr.13-00≠0

Setting parameters

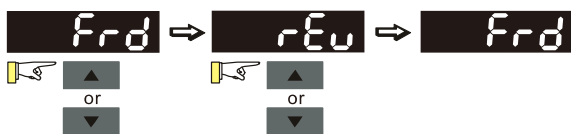


Note: In the parameter setting mode, you can press **ENTER** to return to the selection mode.

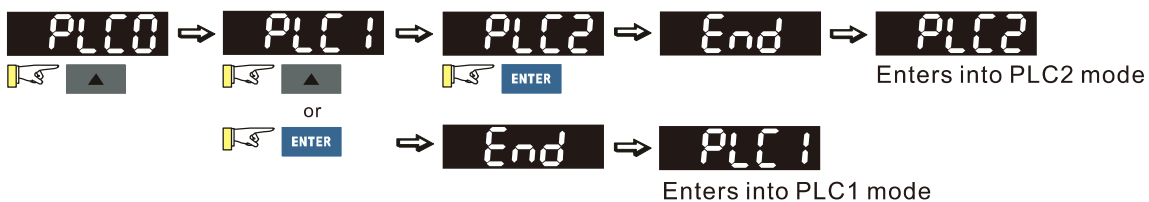
To shift data



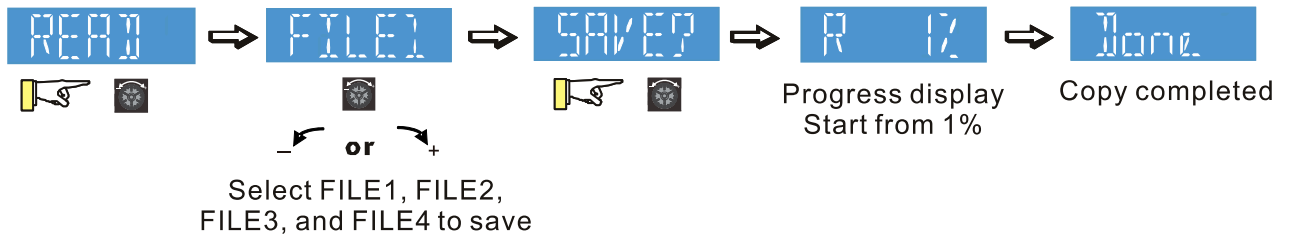
Setting direction (When the operation source is the digital keypad)



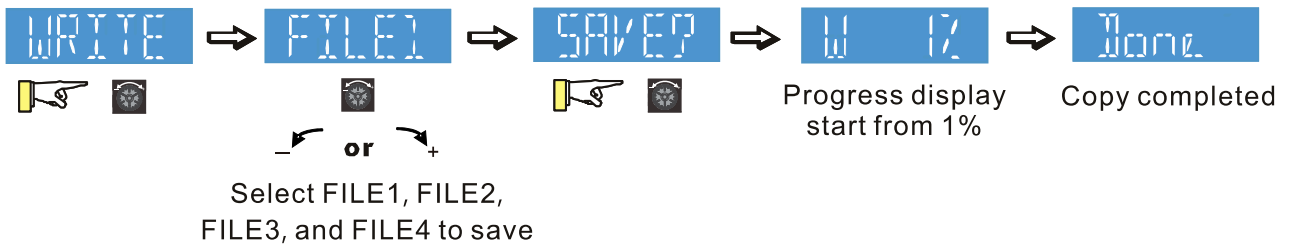
PLC setting



Copy Parameter (Copy parameter to Keypad)



Copy Parameter (Copy parameter to the drive)



NOTE

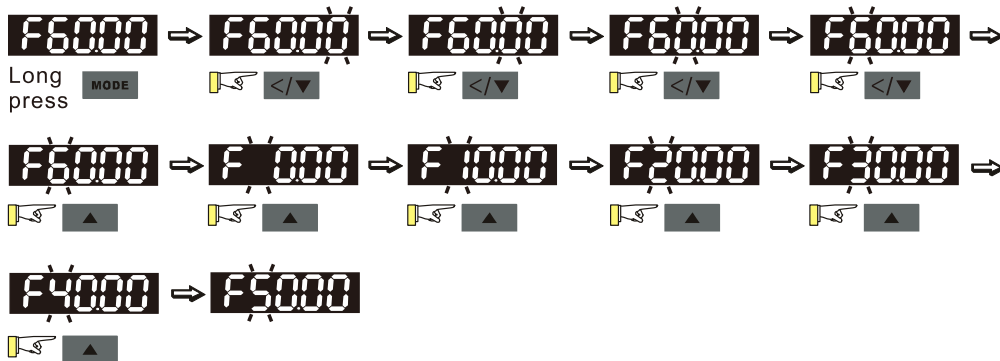
MS300 digital keypad does not support parameter copy functions. You must use the MH300 digital keypad KPMH-LC01 to perform the parameter copy functions.

For details on how to use the digital keypad KPMH-LC01, see Chapter 10 in the MH300 user manual.

B. F Page (Frequency command setting page)

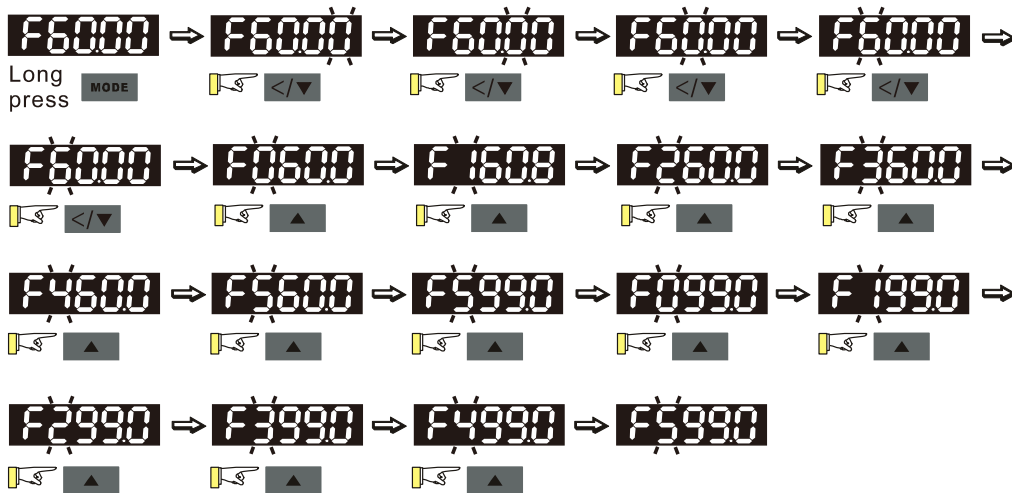
General Mode 1

(The maximum operation frequency Pr.01-00 is in two decimal places. The example uses Pr.01-00 = 60.00 Hz.)



General Mode 2

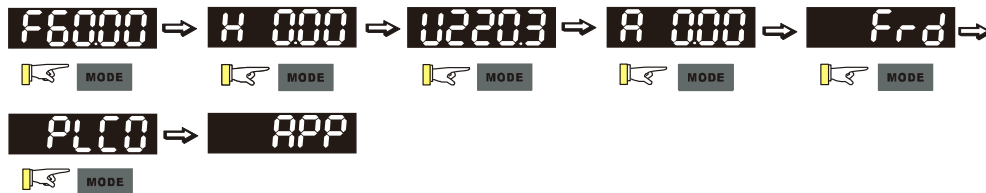
(The maximum operation frequency Pr.01-00 is in three decimal places. The example uses Pr.01-00 = 599.0 Hz.)



C. Application Macro Selection Page

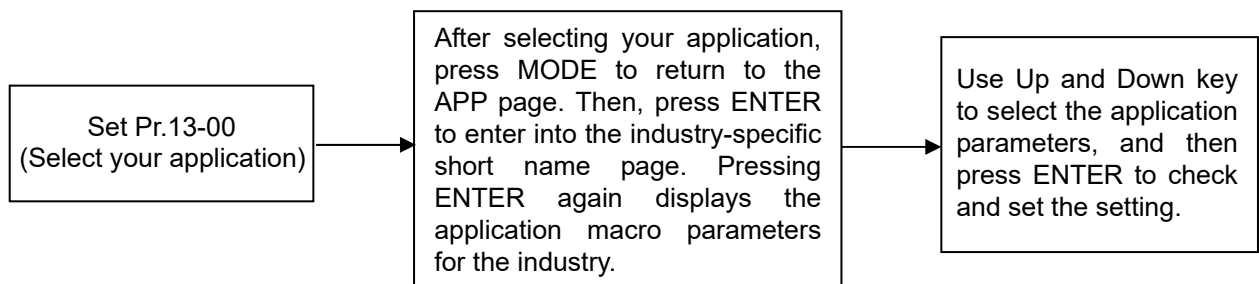
Go to Parameter Group 13 to set the application macro functions. The application macro function is enabled when Pr.13-00 \neq 0.

Once enabled, the Application Marco Selection page displays “APP”. If Pr.13-00 = 0, the APP page does not display.



Application Selection

When Pr.13-00 \neq 0, you enter into the APP page. After you press ENTER, the screen displays a corresponding short name according to Pr.13-00 setting values. Follow the process below to set the industry-specific application macro parameters.



Example:

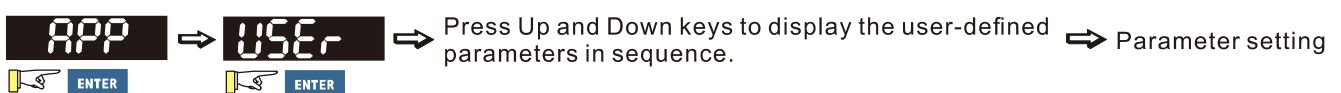
When Pr.13-00 = 2, you enter into the APP page. After you press ENTER, the screen displays "CoPr" and the compressor application macro parameters are enabled. Then, press ENTER again to check the industry-specific parameter sets. Press Up and Down keys to select the parameter to set. Finally, press ENTER to set the parameter values. For other industry application, follow the same process.



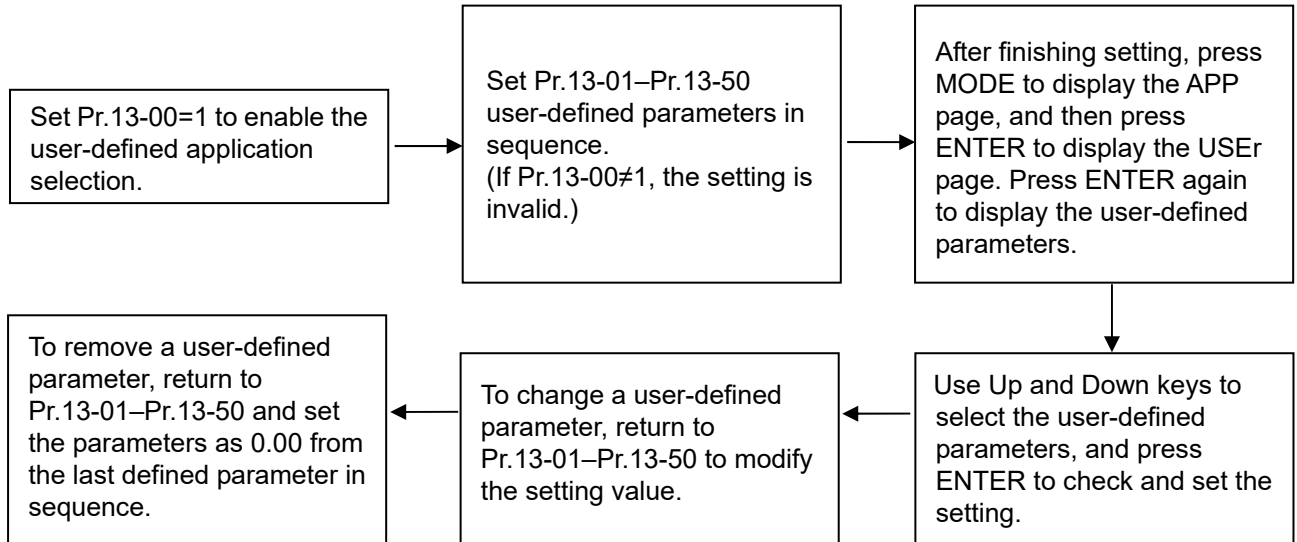
User-defined Application

Set Pr.13-00 = 1 to enable the user-defined applications. The “USER” appears in the APP page after pressing ENTER.

(If Pr.13-00 = 1 and you do not set any parameters for Pr.13-01–Pr.13-50, you cannot enter the sub-layer of the USER page.)



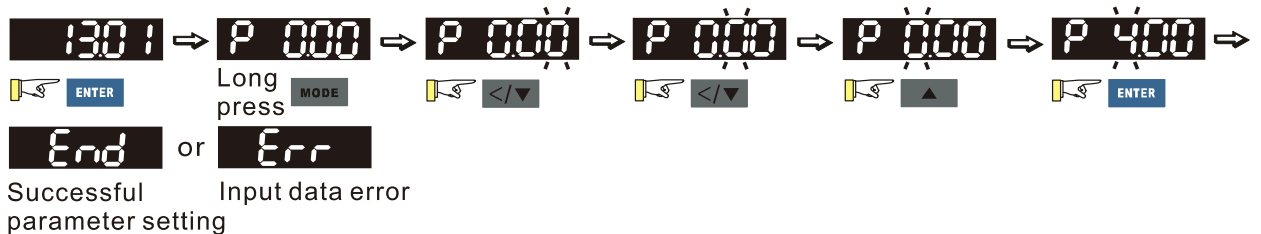
Follow the process below to set the user-defined application selection (Pr.13-00=1).



1. Use Pr.13-01-Pr.13-50 to set the user-defined parameters in sequence according to your requirement. The default setting 0.00 means there is no user-defined parameter. Press ENTER to set the corresponding parameters for Pr.13-01- Pr.13-50.
2. The setting method of user-defined parameters is the same as that for non-user-defined parameters. You can use Up and Down keys or left shift key to speed up the settings.

Example:

Setting Pr.13-01 to the user-defined parameter 04-00. First, press ENTER at Pr.13-01 to enter the setting page. Then, long press MODE to enable the left shift key to start the setting. The setting process shows as follows.

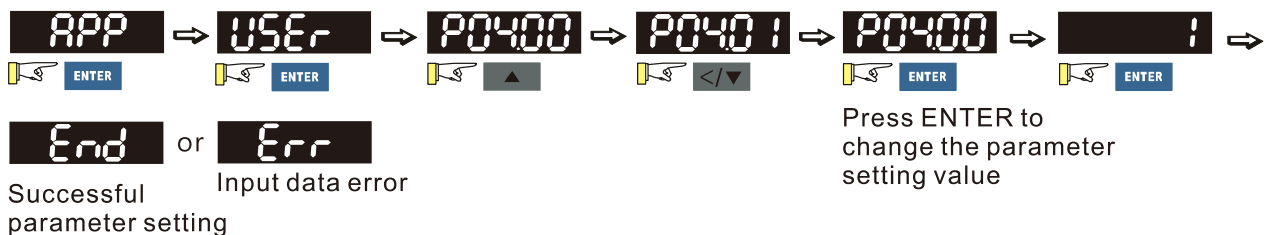


NOTE You must set Pr.13-01, 02.....50 in sequence, or the display shows “Err”.

3. After finishing the setting, press MODE to return to the APP page, and then press ENTER. The keypad displays “USER”. After you press ENTER again, the corresponding parameter that you set appears.

Example:

If you set Pr.13-01 as the user-defined parameter Pr.04-00, and Pr.13-02 as Pr.04-01, the parameters you set appear when you press ENTER at the “USER” page.



Press ENTER to change the parameter setting value

Note: In the mode of parameter settings, pressing **MODE** returns to the main page selection.

- To remove a set user-defined parameter, remove from the last defined parameter (set to 0.00) first, or the display shows “Err”. For example, if there are five user-defined parameters (Pr.13-01, 13-02...13-05), to remove Pr.13-02, you must remove Pr.13-05 first, then 13-04, then 13-03, and then 13-02.

D. Parameter setting

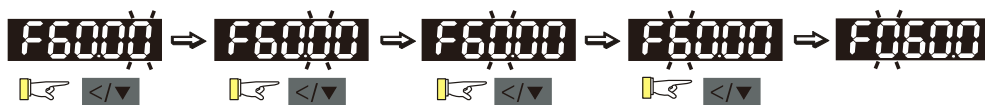
D-1. Unsigned parameter

(Parameter setting range ≥ 0 ; for example, Pr.01-00)

- Without using the left shift key: Use Up and Left/Down key to select and adjust the parameters. Then, press ENTER to start the parameter settings.
- Using the left shift key: Long press MODE for two seconds until the last digit of the parameter value starts to blink. Increase the value by pressing the Up key. The value goes back to 0 after 9.
- Press left/down key to shift the blinking cursor one digit to the left, and increase the value by pressing the Up key.
- After you finish setting the parameter, the left shift key function is not disabled automatically until you disable it manually by pressing MODE for two seconds.

Example:

The default setting for Pr.01-00 is 60.00. Long pressing MODE for two seconds enables the left shift function. The process for pressing the Left/Down key shows as follows:



The upper limit for Pr.01-00 is 599.00. If you set a value greater than 599.00, “Err” appears after you press ENTER, and then the keypad shows the upper limit (599.00) for a second to remind you of the incorrect setting. The setting value remains as the original set value and the cursor returns to the last digit.

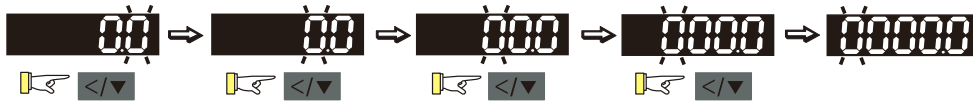
D-2. Minus-signed parameter setting status 1

(Parameter setting range can be < 0 ; for example, Pr.03-03)

- Without using the left shift key: Use Up and Left/Down key to select and adjust the parameters. Then, press ENTER to start the parameter settings.
- Using the left shift key: Long press MODE for two seconds until the last digit of the parameter value starts to blink. Increase the value by pressing the Up key. The value goes back to 0 after 9.
- Press left/down key to shift the blinking cursor one digit to the left, and increase the value by pressing the Up key. When you shift to the first digit and press the Up key, the digit “0” changes to “-” (minus).
- After you finish setting the parameter, the left shift key function is not disabled automatically until you disable it manually by pressing MODE for two seconds.

Example:

The default setting for Pr.03-03 is 0.0. Long pressing MODE for two seconds enables the left shift function. The process for pressing the Left/Down key shows as follows:



The upper limit for Pr.03-03 is 100.0 and lower limit is -100.0. If you set a value greater than 100.0 or less than -100.0, "Err" appears after you press ENTER, and then the keypad shows the upper limit (100.0) or lower limit (-100.0) for a second to remind you of the incorrect setting. The setting value remains as the original set value, and the cursor returns to the last digit.

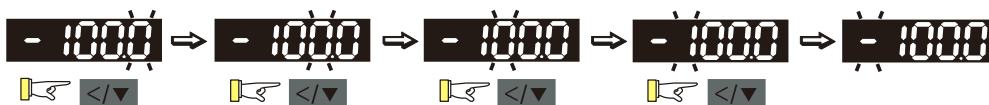
D-3. Minus-signed parameter setting status 2

(Parameter setting range can be < 0, and the lower limit is ≤ -100.00 with two decimal places; for example, Pr.03-74)

1. Without using the left shift key: Use Up and Left/Down key to select and adjust the parameters. Then, press ENTER to start the parameter settings.
2. Using the left shift key: Long press MODE for two seconds until the last digit of the parameter value starts to blink. Increase the value by pressing the Up key. The value goes back to 0 after 9.
3. Press the left/down key to shift the blinking cursor one digit to the left, and increase the value by pressing the Up key. When you shift to the first digit and press the Up key, the digit "0" changes to "-" (minus).
4. For parameter values with three digits and two decimal places and a positive/negative setting range (Pr.03-74, -100.00–100.00%), the keypad only displays four digits (-100.0 or 100.0).

Example:

The default setting for Pr.03-74 is -100.0. If you increase the parameter value by 0.01, the display shows -99.99, with four digits only. Long pressing MODE for two seconds enables the left shift function. The process for pressing the Left/Down key shows as follows:



The upper limit for Pr.03-74 is 100.00 and lower limit is -100.00. If you set a value greater than 100.0 or less than -100.0, "Err" appears after you press ENTER, and then the keypad shows the upper limit (100.0) or lower limit (-100.0) (only one decimal place is displayed) for a second to remind you of the incorrect setting. The setting value remains as the original set value, and the cursor returns to the last digit.

Reference Table for the Seven-segment Digital Keypad LED Display

Number	0	1	2	3	4	5	6	7	8	9
Display										
Number	A	a	B	b	C	c	D	d	E	e
Display		-	-				-			-
Number	F	f	G	g	H	h	I	i	J	j
Display		-		-			-			
Number	K	k	L	l	M	m	N	n	O	o
Display		-		-	-	-	-		-	
Number	P	p	Q	q	R	r	S	s	T	t
Display		-	-		-			-	-	
Number	U	u	V	v	W	w	X	x	Y	y
Display			-		-	-	-	-		-
Number	Z	z								
Display		-								

[This page intentionally left blank]

Chapter 11 Summary of Parameter Settings

This chapter provides a summary of parameter (Pr.) setting ranges and defaults. You can set, change, and reset parameters through the digital keypad.



↗: You can set this parameter during operation.

The following are abbreviations for different types of motors:

- IM: Induction motor
- PM: Permanent magnet synchronous AC motor
- IPM: Interior permanent magnet synchronous AC motor
- SPM: Surface permanent magnet synchronous AC motor

00 Drive Parameters

Pr.	Explanation	Settings	Default
00-00	AC motor drive identity code	102: 115 V, 1 Phase, 0.25 HP 103: 115 V, 1 Phase, 0.5 HP 104: 115 V, 1 Phase, 1 HP 302: 230 V, 1 Phase, 0.25 HP 303: 230 V, 1 Phase, 0.5 HP 304: 230 V, 1 Phase, 1 HP 305: 230 V, 1 Phase, 2 HP 306: 230 V, 1 Phase, 3 HP 202: 230 V, 3 Phase, 0.25 HP 203: 230 V, 3 Phase, 0.5 HP 204: 230 V, 3 Phase, 1 HP 205: 230 V, 3 Phase, 2 HP 206: 230 V, 3 Phase, 3 HP 207: 230 V, 3 Phase, 5 HP 208: 230 V, 3 Phase, 7.5 HP 209: 230 V, 3 Phase, 10 HP 210: 230 V, 3 Phase, 15 HP 211: 230 V, 3 Phase, 20 HP 403: 460 V, 3 Phase, 0.5 HP 404: 460 V, 3 Phase, 1 HP 405: 460 V, 3 Phase, 2 HP 406: 460 V, 3 Phase, 3 HP 407: 460 V, 3 Phase, 5 HP 408: 460 V, 3 Phase, 7.5 HP 409: 460 V, 3 Phase, 10 HP	Read only

Pr.	Explanation	Settings	Default
		410: 460 V, 3 Phase, 15 HP 411: 460 V, 3 Phase, 20 HP 412: 460 V, 3 Phase, 25 HP 413: 460 V, 3 Phase, 30 HP 504: 575 V, 3 Phase, 1 HP 505: 575 V, 3 Phase, 2 HP 506: 575 V, 3 Phase, 3 HP 507: 575 V, 3 Phase, 5 HP 508: 575 V, 3 Phase, 7.5 HP 509: 575 V, 3 Phase, 10 HP	
00-01	AC motor drive rated current display	Display by models	Read only
00-02	Parameter reset	0: No function 1: Write protection for parameters 5: Return kWh displays to 0 6: Reset PLC (including CANopen Master Index) 7: Reset CANopen Slave index 8: Keypad does not respond 9: Reset all parameters to defaults (base frequency is 50 Hz) 10: Reset all parameters to defaults (base frequency is 60 Hz) 11: Reset all parameters to defaults with base frequency at 50 Hz (keep the user-defined parameter values Pr.13-01–Pr.13-50) 12: Reset all parameters to defaults with base frequency at 60 Hz (keep the user-defined parameter values Pr.13-01–Pr.13-50)	0
⚡ 00-03	Start-up display	0: F (frequency command) 1: H (output frequency) 2: U (user-defined, see Pr.00-04) 3: A (output current)	0
⚡ 00-04	Content of multi-function display (user-defined)	0: Display output current (A) (unit: Amp) 1: Display counter value (c) (unit: CNT) 2: Display the drive's actual output frequency (H.) (unit: Hz) 3: Display the drive's DC bus voltage (V) (unit: V _{DC}) 4: Display the drive's output voltage (E) (unit: V _{AC}) 5: Display the drive's output power angle (n) (unit: deg) 6: Display the drive's output power (P) (unit: kW)	3

Pr.	Explanation	Settings	Default
		<p>7: Display the motor speed rpm (r) (unit: rpm)</p> <p>8: Display the drive's estimated output torque, motor's rated torque is 100% (t) (unit: %)</p> <p>10: Display PID feedback (b) (unit: %)</p> <p>11: Display AVI analog input terminal signal (1.) (unit: %)</p> <p>12: Display ACI analog input terminal signal (2.) (unit: %)</p> <p>14: Display the drive's IGBT temperature (i.) (unit: °C)</p> <p>16: The digital input status (ON / OFF) (i)</p> <p>17: The digital output status (ON / OFF) (o)</p> <p>18: Display multi-step speed (S)</p> <p>19: The corresponding CPU digital input pin status (d)</p> <p>20: The corresponding CPU digital output pin status (0.)</p> <p>22: Pulse input frequency (S.)</p> <p>25: Overload count (0.00–100.00%) (o.) (unit: %)</p> <p>26: Ground fault GFF (G.) (unit: %)</p> <p>27: DC bus voltage ripple (r.) (unit: V_{DC})</p> <p>28: Display PLC register D1043 data (C)</p> <p>30: Display the output of User-defined (U)</p> <p>31: Display Pr.00-05 user gain (K)</p> <p>35: Control mode display: 0 = Speed control mode (SPD) 1 = Torque control mode (TQR) (t.)</p> <p>36: Present operating carrier frequency of the drive (J.) (Unit: Hz)</p> <p>38: Display the drive status (6.)</p> <p>39: Display the drive's estimated output torque, positive and negative, using Nt-m as unit (t 0.0: positive torque; -0.0: negative torque) (C.)</p> <p>40: Torque command (L.) (unit: %)</p> <p>41: kWh display (J) (unit: kWh)</p> <p>42: PID target value (h.) (unit: %)</p> <p>43: PID compensation (o.) (unit: %)</p> <p>44: PID output frequency (b.) (unit: Hz)</p> <p>46: Auxiliary frequency value (U.) (unit: Hz)</p> <p>47: Master frequency value (A) (unit: Hz)</p> <p>48: Frequency value after addition and subtraction of master and auxiliary frequency (L.) (unit: Hz)</p> <p>51: PMSVC torque offset</p> <p>58: Pr.00-05 User gain display (K) (Does not display decimal places.)</p>	

Pr.	Explanation	Settings	Default
		62: I2t (o.) (unit: %) 63: Error code (E.) 64: Warning code (n.) 65: Accumulated motor operation record (day) (r.) (refer to Pr.05-32)	
↗ 00-05	Coefficient gain in actual output frequency	0.00–160.00	1.00
00-06	Firmware version	Read only	Read only
↗ 00-07	Parameter protection password input	0–65535 0–4: the number of password attempts allowed	0
↗ 00-08	Parameter protection password setting	0–65535 0: No password protection or password entered correctly (Pr.00-07) 1: Parameter has been set	0
00-10	Control mode	0: Speed Control mode 2: Torque mode	0
00-11	Speed Control mode	0: IMVF (IM V/F control) 1: IMVFP (IM V/F control + encoder) 2: IM/PM SVC (IM / PM space vector control) 5: IMFOC Sensorless (IM field-oriented sensorless vector control)	0
00-16	Load selection	0: Normal load 1: Heavy load	1
00-17	Carrier frequency	Normal load: 2–15 kHz Heavy load: 2–15 kHz Note: When Pr.00-11=5 (IMFOC Sensorless), the maximum setting value for the carrier frequency is 10 kHz.	4 4
00-19	PLC command mask	bit 0: Control command is forced by PLC control bit 1: Frequency command is forced by PLC control bit 3: Torque command is forced by PLC control	Read only
↗ 00-20	Master frequency command source (AUTO, REMOTE)	0: Digital keypad 1: RS-485 communication input 2: External analog input (Refer to Pr.03-00) 3: External UP / DOWN terminal (multi-function input terminals) 4: Pulse input without direction command (refer to Pr.10-16 without considering direction) 6: CANopen communication card 7: Digital keypad potentiometer knob 8: Communication card (does not include CANopen card) 9: PID controller	0

Pr.	Explanation	Settings	Default
		Note: HOA (Hand-Off-Auto) function is valid only when you use with MO function setting 42 and 56 or with KPC-CC01 (optional).	
↗ 00-21	Operation command source (AUTO, REMOTE)	0: Digital keypad 1: External terminals 2: RS-485 communication input 3: CANopen communication card 5: Communication card (does not include CANopen card) Note: HOA (Hand-Off-Auto) function is valid only when you use with MO function setting 42 and 56 or with KPC-CC01 (optional)	0
↗ 00-22	Stop method	0: Ramp to stop 1: Coast to stop	0
↗ 00-23	Motor direction control	0: Enable forward / reverse 1: Disable reverse 2: Disable forward	0
00-24	Digital operator (keypad) frequency command memory	Read only	Read only
↗ 00-25	User-defined characteristics	bit 0–3: user-defined decimal places 0000h-0000b: no decimal place 0001h-0001b: one decimal place 0002h-0010b: two decimal places 0003h-0011b: three decimal places bit 4–5: user-defined unit 000xh: Hz 001xh: rpm 002xh: % 003xh: kg 004xh: m/s 005xh: kW 006xh: HP 007xh: ppm 008xh: 1/m 009xh: kg/s 00Axh: kg/m 00Bxh: kg/h 00Cxh: lb/s 00Dxh: lb/m 00Exh: lb/h 00Fxh: ft/s 010xh: ft/m	0

Pr.	Explanation	Settings	Default
		011xh: m 012xh: ft 013xh: degC 014xh: degF 015xh: mbar 016xh: bar 017xh: Pa 018xh: kPa 019xh: mWG 01Axh: inWG 01Bxh: ftWG 01Cxh: psi 01Dxh: atm 01Exh: L/s 01Fhx: L/m 020xh: L/h 021xh: m3/s 022xh: m3/h 023xh: GPM 024xh: CFM xxxhx: Hz	
00-26	Maximum user-defined value	0: Disable 0–65535 (when Pr.00-25 is set to no decimal place) 0.0–6553.5 (when Pr.00-25 is set to one decimal place) 0.00–655.35 (when Pr.00-25 is set to two decimal places) 0.000–65.535 (when Pr.00-25 is set to three decimal places)	0
00-27	User-defined value	Read only	Read only
00-29	LOCAL / REMOTE selection	0: Standard HOA function 1: When switching between local and remote, the drive stops. 2: When switching between local and remote, the drive runs with REMOTE settings for frequency and operating status. 3: When switching between local and remote, the drive runs with LOCAL settings for frequency and operating status. 4: When switching between local and remote, the drive runs with LOCAL settings when switched to Local and runs with REMOTE settings when switched to Remote for frequency and operating status.	0

Pr.	Explanation	Settings	Default
↗ 00-30	Master frequency command source (HAND, LOCAL)	0: Digital keypad 1: RS-485 communication input 2: External analog input (refer to Pr.03-00) 3: External UP / DOWN terminal (multi-function input terminals) 4: Pulse input without direction command (refer to Pr.10-16 without considering direction) 6: CANopen communication card 7: Digital keypad potentiometer knob 8: Communication card (does not include CANopen card) 9: PID controller Note: HOA (Hand-Off-Auto) function is valid only when you use with MO function setting 41 and 56 or with KPC-CC01 (optional).	0
↗ 00-31	Operation command source (HAND, LOCAL)	0: Digital keypad 1: External terminal 2: RS-485 communication input 3: CANopen communication card 5: Communication card (does not include CANopen card) Note: HOA (Hand-Off-Auto) function is valid only when you use with MO function setting 41 and 56 or with KPC-CC01 (optional).	0
↗ 00-32	Digital keypad STOP function	0: STOP key disabled 1: STOP key enabled	0
00-35	Auxiliary frequency source	0: Master and auxiliary frequency function disabled 1: Digital keypad 2: RS-485 communication input 3: Analog input 4: External UP / DOWN key input (multi-function input terminals) 5: Pulse input without direction command (refer to Pr.10-16) 6: CANopen communication card 7: Digital keypad potentiometer knob 8: Communication card	0
00-36	Master and auxiliary frequency command selection	0: Master + auxiliary frequency 1: Master - auxiliary frequency 2: Auxiliary - master frequency	0
↗ 00-48	Display filter time (current)	0.001–65.535 sec.	0.100
↗ 00-49	Display filter time (keypad)	0.001–65.535 sec.	0.100
00-50	Software version (date)	Read only	Read only

01 Basic Parameters

Pr.	Explanation	Settings	Default
01-00	Maximum operation frequency	0.00–599.00 Hz	60.00 / 50.00
01-01	Output frequency of motor 1 (Base frequency / Motor's rated frequency)	0.00–599.00 Hz	60.00 / 50.00
01-02	Output voltage of motor 1 (Base voltage / Motor's rated voltage)	115V / 230V models: 0.0–255.0 V 460V models: 0.0–510.0 V 575V models: 0.0–637.0 V	220.0 440.0 575.0
01-03	Mid-point frequency 1 of motor 1	0.00–599.00 Hz	3.00
✎ 01-04	Mid-point voltage 1 of motor 1	115V / 230V models: 0.0–240.0 V 460V models: 0.0–480.0 V 575V models: 0.0–600.0 V	11.0 22.0 40.0
01-05	Mid-point frequency 2 of motor 1	0.00–599.00 Hz	1.50
✎ 01-06	Mid-point voltage 2 of motor 1	115V / 230V models: 0.0–240.0 V 460V models: 0.0–480.0 V 575V models: 0.0–600.0 V	5.0 10.0 26.1
01-07	Minimum output frequency of motor 1	0.00–599.00 Hz	0.50
✎ 01-08	Minimum output voltage of motor 1	115V / 230V models: 0.0–240.0 V 460V models: 0.0–480.0 V 575V models: 0.0–600.0 V	1.0 2.0 16.7
01-09	Start-up frequency	0.00–599.00 Hz	0.50
✎ 01-10	Output frequency upper limit	0.00–599.00 Hz	599.00
✎ 01-11	Output frequency lower limit	0.00–599.00 Hz	0.00
✎ 01-12	Acceleration time 1	Pr.01-45 = 0: 0.00–600.00 sec. Pr.01-45 = 1: 0.0–6000.0 sec.	10.00 10.0
✎ 01-13	Deceleration time 1	Pr.01-45 = 0: 0.00–600.00 sec. Pr.01-45 = 1: 0.0–6000.0 sec.	10.00 10.0
✎ 01-14	Acceleration time 2	Pr.01-45 = 0: 0.00–600.00 sec. Pr.01-45 = 1: 0.0–6000.0 sec.	10.00 10.0
✎ 01-15	Deceleration time 2	Pr.01-45 = 0: 0.00–600.00 sec. Pr.01-45 = 1: 0.0–6000.0 sec.	10.00 10.0
✎ 01-16	Acceleration time 3	Pr.01-45 = 0: 0.00–600.00 sec. Pr.01-45 = 1: 0.0–6000.0 sec.	10.00 10.0

	Pr.	Explanation	Settings	Default
↯	01-17	Deceleration time 3	Pr.01-45 = 0: 0.00–600.00 sec. Pr.01-45 = 1: 0.0–6000.0 sec.	10.00 10.0
↯	01-18	Acceleration time 4	Pr.01-45 = 0: 0.00–600.00 sec. Pr.01-45 = 1: 0.0–6000.0 sec.	10.00 10.0
↯	01-19	Deceleration time 4	Pr.01-45 = 0: 0.00–600.00 sec. Pr.01-45 = 1: 0.0–6000.0 sec.	10.00 10.0
↯	01-20	JOG acceleration time	Pr.01-45 = 0: 0.00–600.00 sec. Pr.01-45 = 1: 0.0–6000.0 sec.	10.00 10.0
↯	01-21	JOG deceleration time	Pr.01-45 = 0: 0.00–600.00 sec. Pr.01-45 = 1: 0.0–6000.0 sec.	10.00 10.0
↯	01-22	JOG frequency	0.00–599.00 Hz	6.00
↯	01-23	Switch frequency between first and fourth Accel./Decel.	0.00–599.00 Hz	0.00
↯	01-24	S-curve for acceleration begin time 1	Pr.01-45 = 0: 0.00–25.00 sec. Pr.01-45 = 1: 0.0–250.0 sec.	0.20 0.2
↯	01-25	S-curve for acceleration arrival time 2	Pr.01-45 = 0: 0.00–25.00 sec. Pr.01-45 = 1: 0.0–250.0 sec.	0.20 0.2
↯	01-26	S-curve for deceleration begin time 1	Pr.01-45 = 0: 0.00–25.00 sec. Pr.01-45 = 1: 0.0–250.0 sec.	0.20 0.2
↯	01-27	S-curve for deceleration arrival time 2	Pr.01-45 = 0: 0.00–25.00 sec. Pr.01-45 = 1: 0.0–250.0 sec.	0.20 0.2
	01-28	Skip frequency 1 (upper limit)	0.00–599.00 Hz	0.00
	01-29	Skip frequency 1 (lower limit)	0.00–599.00 Hz	0.00
	01-30	Skip frequency 2 (upper limit)	0.00–599.00 Hz	0.00
	01-31	Skip frequency 2 (lower limit)	0.00–599.00 Hz	0.00
	01-32	Skip frequency 3 (upper limit)	0.00–599.00 Hz	0.00
	01-33	Skip frequency 3 (lower limit)	0.00–599.00 Hz	0.00
	01-34	Zero-speed mode	0: Output waiting 1: Zero-speed operation 2: Fmin (refer to Pr.01-07 and Pr.01-41)	0
	01-35	Output frequency of motor 2 (Base frequency / Motor's rated frequency)	0.00–599.00 Hz	60.00 / 50.00

Pr.	Explanation	Settings	Default
01-36	Output voltage of motor 2 (Base voltage / Motor's rated voltage)	115V / 230V models: 0.0–255.0 V 460V models: 0.0–510.0 V 575V models: 0.0–637.0 V	220.0 440.0 575.0
01-37	Mid-point frequency 1 of motor 2	0.00–599.00 Hz	3.00
✎ 01-38	Mid-point voltage 1 of motor 2	115V / 230V models: 0.0–240.0 V 460V models: 0.0–480.0 V 575V models: 0.0–600.0 V	11.0 22.0 40.0
01-39	Mid-point frequency 2 of motor 2	0.00–599.00 Hz	1.50
✎ 01-40	Mid-point voltage 2 of motor 2	115V / 230V models: 0.0–240.0 V 460V models: 0.0–480.0 V 575V models: 0.0–600.0 V	5.0 10.0 26.1
01-41	Minimum output frequency of motor 2	0.00–599.00 Hz	0.50
✎ 01-42	Minimum output voltage of motor 2	115V / 230V models: 0.0–240.0 V 460V models: 0.0–480.0 V 575V models: 0.0–600.0 V	1.0 2.0 16.7
01-43	V/F curve selection	0: V/F curve determined by Pr.01-00–Pr.01-08 1: V/F curve to the power of 1.5 2: V/F curve to the power of 2	0
✎ 01-44	Auto-acceleration and auto-deceleration setting	0: Linear acceleration and deceleration 1: Auto-acceleration and linear deceleration 2: Linear acceleration and auto-deceleration 3: Auto-acceleration and auto-deceleration 4: Stall prevention by auto-acceleration and auto-deceleration (limited by Pr.01-12–Pr.01-21)	0
01-45	Time unit for acceleration / deceleration and S-curve	0: Unit 0.01 sec. 1: Unit 0.1 sec.	0
✎ 01-46	CANopen quick stop time	Pr.01-45 = 0: 0.00–600.00 sec. Pr.01-45 = 1: 0.0–6000.0 sec.	1.00 1.0
01-49	Regenerative energy restriction control method	0: Disable 1: Over voltage energy restriction 2: Traction energy control (TEC)	0
01-52	Maximum operation frequency of motor 2	0.00–599.00 Hz	60.00 / 50.00
01-53	Maximum operation frequency of motor 3	0.00–599.00 Hz	60.00 / 50.00

Pr.	Explanation	Settings	Default
01-54	Output frequency of motor 3 (Base frequency / Motor's rated frequency)	0.00–599.00 Hz	60.00 / 50.00
01-55	Output voltage of motor 3 (Base voltage / Motor's rated voltage)	115V / 230V models: 0.0–255.0 V 460V models: 0.0–510.0 V 575V models: 0.0–637.0 V	220.0 440.0 575.0
01-56	Mid-point frequency 1 of motor 3	0.00–599.00 Hz	3.00
⚡ 01-57	Mid-point voltage 1 of motor 3	115V / 230V models: 0.0–240.0 V 460V models: 0.0–480.0 V 575V models: 0.0–600.0 V	11.0 22.0 40.0
01-58	Mid-point frequency 2 of motor 3	0.00–599.00 Hz	1.50
⚡ 01-59	Mid-point voltage 2 of motor 3	115V / 230V models: 0.0–240.0 V 460V models: 0.0–480.0 V 575V models: 0.0–600.0 V	5.0 10.0 26.1
01-60	Minimum output frequency of motor 3	0.00–599.00 Hz	0.50
⚡ 01-61	Minimum output voltage of motor 3	115V / 230V models: 0.0–240.0 V 460V models: 0.0–480.0 V 575V models: 0.0–600.0 V	1.0 2.0 16.7
01-62	Maximum operation frequency of motor 4	0.00–599.00 Hz	60.00 / 50.00
01-63	Output frequency of motor 4 (Base frequency / Motor's rated frequency)	0.00–599.00 Hz	60.00 / 50.00
01-64	Output voltage of motor 4 (Base voltage / Motor's rated voltage)	115V / 230V models: 0.0–255.0 V 460V models: 0.0–510.0 V 575V models: 0.0–637.0 V	220.0 440.0 575.0
01-65	Mid-point frequency 1 of motor 4	0.00–599.00 Hz	3.00
⚡ 01-66	Mid-point voltage 1 of motor 4	115V / 230V models: 0.0–240.0 V 460V models: 0.0–480.0 V 575V models: 0.0–600.0 V	11.0 22.0 40.0
01-67	Mid-point frequency 2 of motor 4	0.00–599.00 Hz	1.50
⚡ 01-68	Mid-point voltage 2 of motor 4	115V / 230V models: 0.0–240.0 V 460V models: 0.0–480.0 V 575V models: 0.0–600.0 V	5.0 10.0 26.1

Pr.	Explanation	Settings	Default
01-69	Minimum output frequency of motor 4	0.00–599.00 Hz	0.50
↙ 01-70	Minimum output voltage of motor 4	115V / 230V models: 0.0–240.0 V 460V models: 0.0–480.0 V 575V models: 0.0–600.0 V	1.0 2.0 16.7

02 Digital Input / Output Parameters

Pr.	Explanation	Settings	Default
02-00	Two-wire / three-wire operation control	0: No function 1: Two-wire mode 1, power on for operation control (M1: FWD / STOP, M2: REV / STOP) 2: Two-wire mode 2, power on for operation control (M1: RUN / STOP, M2: REV / FWD) 3: Three-wire, power on for operation control (M1: RUN, M2: REV / FWD, M3: STOP) 4: Two-wire mode 1, Quick Start (M1: FWD / STOP, M2: REV / STOP) 5: Two-wire mode 2, Quick Start (M1: RUN / STOP, M2: REV / FWD) 6: Three-wire, Quick Start (M1: RUN, M2: REV / FWD, M3: STOP) <u>IMPORTANT</u> 1. In the fast start-up function, terminal output keeps in the ready status, and the drive responds to the command immediately. 2. When using Quick Start function, the output terminals UVW are with driving voltages in order to output and respond immediately if a Start command is given. Do not touch the terminals or modify the motor wiring to prevent electric shocks.	1
02-01	Multi-function input command 1 (MI1)	0: No function	0
02-02	Multi-function input command 2 (MI2)	1: Multi-step speed command 1 / multi-step position command 1	0
02-03	Multi-function input command 3 (MI3)	2: Multi-step speed command 2 / multi-step position command 2	1
02-04	Multi-function input command 4 (MI4)	3: Multi-step speed command 3 / multi-step position command 3	2
02-05	Multi-function input command 5 (MI5)	4: Multi-step speed command 4 / multi-step position command 4	3
02-06	Multi-function input command 6 (MI6)	5: Reset	4
02-07	Multi-function input command 7 (MI7)	6: JOG operation [by external control or KPC-CC01 (optional)]	4
		7: Acceleration / deceleration speed inhibit	0
		8: 1 st and 2 nd acceleration / deceleration time selection	
		9: 3 rd and 4 th acceleration / deceleration time selection	
		10: External Fault (EF) Input (Pr.07-20)	
		11: Base Block (B.B.) input from external	

Pr.	Explanation	Settings	Default
		12: Output stop 13: Cancel the setting of auto-acceleration / auto-deceleration time 15: Rotating speed command from AVI 16: Rotating speed command from ACI 18: Force to stop (Pr.07-20) 19: Digital up command 20: Digital down command 21: PID function disabled 22: Clear the counter 23: Input the counter value (MI6) 24: FWD JOG command 25: REV JOG command 26: TQC / FOC mode selection 27: ASR1 / ASR2 selection 28: Emergency stop (EF1) 29: Signal confirmation for Y-connection 30: Signal confirmation for Δ -connection 31: High torque bias (Pr.11-30) 32: Middle torque bias (Pr.11-31) 33: Low torque bias (Pr.11-32) 38: Disable writing EEPROM function 39: Torque command direction 40: Force coasting to stop 41: HAND switch 42: AUTO switch 48: Mechanical gear ratio switch 49: Enable drive 50: Slave dEb action to execute 51: Selection for PLC mode bit 0 52: Selection for PLC mode bit 1 53: Trigger CANopen quick stop 56: Local / Remote selection 58: Enable fire mode (with RUN command) 59: Enable fire mode (without RUN command) 70: Force auxiliary frequency return to 0 71: Disable PID function, force PID output return to 0 72: Disable PID function, retain the output value before disabled 73: Force PID integral gain return to 0, disable integral	

Pr.	Explanation	Settings	Default
		74: Reverse PID feedback 81: Simple positioning zero point position signal input 82: OOB loading balance detection 83: Multi-motor (IM) selection bit 0 84: Multi-motor (IM) selection bit 1	
↗ 02-09	UP / DOWN key mode	0: UP / DOWN by the acceleration / deceleration time 1: UP / DOWN constant speed (Pr.02-10) 2: Pulse signal (Pr.02-10) 3: External terminals UP / DOWN mode	0
↗ 02-10	Constant speed, acceleration / deceleration speed of the UP/DOWN Key	0.001–1.000 Hz/ms	0.001
↗ 02-11	Multi-function input response time	0.000–30.000 sec.	0.005
↗ 02-12	Multi-function input mode selection	0000h–FFFFh (0: N.O.; 1: N.C.)	0000
↗ 02-13	Multi-function output 1 (RY1)	0: No function 1: Indication during RUN	11
↗ 02-16	Multi-function output 2 (MO1)	2: Operation speed reached 3: Desired frequency reached 1 (Pr.02-22)	0
↗ 02-17	Multi-function output 3 (MO2)	4: Desired frequency reached 2 (Pr.02-24) 5: Zero speed (Frequency command) 6: Zero speed including STOP (Frequency command) 7: Over-torque 1 (Pr.06-06–06-08) 8: Over-torque 2 (Pr.06-09–06-11) 9: Drive is ready 10: Low voltage warning (Lv) (Pr.06-00) 11: Malfunction indication 13: Overheat warning (Pr.06-15) 14: Software brake signal indicator (Pr.07-00) 15: PID feedback error (Pr.08-13, Pr.08-14) 16: Slip error (oSL) 17: Count value reached, does not return to 0 (Pr.02-20) 18: Count value reached, return to 0 (Pr.02-19) 19: External interrupt B.B. input (Base Block) 20: Warning output 21: Over-voltage 22: Over-current stall prevention 23: Over-voltage stall prevention	0

Pr.	Explanation	Settings	Default
		24: Operation mode 25: Forward command 26: Reverse command 29: Output when frequency \geq Pr.02-34 30: Output when frequency $<$ Pr.02-34 31: Y-connection for the motor coil 32: Δ -connection for the motor coil 33: Zero speed (actual output frequency) 34: Zero speed including STOP (actual output frequency) 35: Error output selection 1 (Pr.06-23) 36: Error output selection 2 (Pr.06-24) 37: Error output selection 3 (Pr.06-25) 38: Error output selection 4 (Pr.06-26) 40: Speed reached (including STOP) 42: Crane function 43: Motor speed detection 44: Low current output (use with Pr.06-71–06-73) 45: UVW output electromagnetic valve switch 46: Master dEb output 50: Output control for CANopen 51: Analog output control for RS-485 interface 52: Output control for communication cards 53: Fire mode indication 66: SO output logic A 67: Analog input level reached 68: SO output logic B 73: Over-torque 3 74: Over-torque 4 75: Forward RUN status 76: Reverse RUN status	
↗ 02-18	Multi-function output direction	0000h–FFFFh (0: N.O.; 1: N.C.)	0000h
↗ 02-19	Terminal counting value reached (returns to 0)	0–65500	0
↗ 02-20	Preliminary counting value reached (does not return to 0)	0–65500	0
↗ 02-21	Digital output gain (DFM)	1–55	1
↗ 02-22	Desired frequency reached 1	0.00–599.00 Hz	60.00 / 50.00

	Pr.	Explanation	Settings	Default
↗	02-23	The width of the desired frequency reached 1	0.00–599.00 Hz	2.00
↗	02-24	Desired frequency reached 2	0.00–599.00 Hz	60.00 / 50.00
↗	02-25	The width of the desired frequency reached 2	0.00–599.00 Hz	2.00
↗	02-34	Output frequency setting for multi-function output terminal	0.00–599.00 Hz (Motor speed when using PG Card)	0.00
↗	02-35	External operation control selection after reset and reboot	0: Disable 1: Drive runs if the RUN command remains after reset or reboot	0
↗	02-47	Motor zero-speed level	0–65535 rpm	0
	02-50	Display the status of multi-function input terminal	Monitor the status of multi-function input terminals	Read only
	02-51	Display the status of multi-function output terminal	Monitor the status of multi-function output terminals	Read only
	02-52	Display the external multi-function input terminals used by PLC	Monitor the status of PLC input terminals	Read only
	02-53	Display the external multi-function output terminals used by PLC	Monitor the status of PLC output terminals	Read only
	02-54	Display the frequency command executed by external terminal	0.00–599.00 Hz (Read only)	Read only
↗	02-58	Multi-function output terminal (function 42): brake frequency check point	0.00–599.00 Hz	0.00
	02-78	Motor deceleration ratio	4.0–1000.0	200.0
	02-79	Automatic positioning angle setting	0.0–6480.0	180.0
	02-80	Automatic positioning deceleration time	0.00: Disable the function 0.01–100.00 sec.	0.00
↗	02-81	EF activates when the terminal count value reached	0: Terminal count value reached, no EF displays (continues to operate) 1: Terminal count value reached, EF activates	0

Pr.	Explanation	Settings	Default
↙ 02-82	Initial Frequency command (F) mode after stop	0: Use current Frequency command 1: Use zero Frequency Command 2: Refer to Pr.02-83 to set up	0
↙ 02-83	Initial Frequency command (F) setting after stop	0.00–599.00 Hz	60.00

03 Analog Input / Output Parameters

Pr.	Explanation	Settings	Default
↗ 03-00	Analog input selection (AVI)	0: No function 1: Frequency command 2: Torque command (torque limit under speed mode) 3: Torque compensation command 4: PID target value 5: PID feedback signal 6: Thermistor (PTC) input value	1
↗ 03-01	Analog input selection (ACI)	7: Positive torque limit 8: Negative torque limit 9: Regenerative torque limit 10: Positive / negative torque limit 11: PT100 thermistor input value 12: Auxiliary frequency input 13: PID compensation value	0
↗ 03-03	Analog input bias (AVI)	-100.0–100.0%	0
↗ 03-04	Analog input bias (ACI)	-100.0–100.0%	0
↗ 03-07	Positive / negative bias mode (AVI)	0: No bias 1: Lower than or equal to bias 2: Greater than or equal to bias	0
↗ 03-08	Positive / negative bias mode (ACI)	3: The absolute value of the bias voltage while serving as the center 4: Bias serves as the center	
↗ 03-10	Reverse setting when analog signal input is negative frequency	0: Negative frequency input is not allowed. The digital keypad or external terminal controls the forward and reverse direction. 1: Negative frequency input is allowed. Positive frequency = run in a forward direction; negative frequency = run in a reverse direction. The digital keypad or external terminal control cannot change the running direction.	0
↗ 03-11	Analog input gain (AVI)	-500.0–500.0%	100.0
↗ 03-12	Analog input gain (ACI)	-500.0–500.0%	100.0
↗ 03-15	Analog input filter time (AVI)	0.00–20.00 sec.	0.01
↗ 03-16	Analog input filter time (ACI)	0.00–20.00 sec.	0.01
↗ 03-18	Analog input addition function	0: Disable (AVI, ACI) 1: Enable (excludes analog extension card)	0

Pr.	Explanation	Settings	Default
03-19	Signal loss selection for analog input 4–20 mA	0: Disable 1: Continue operation at the last frequency 2: Decelerate to 0 Hz 3: Stop immediately and display “ACE”	0
↗ 03-20	Multi-function output (AFM)	0: Output frequency (Hz) 1: Frequency command (Hz) 2: Motor speed (Hz) 3: Output current (rms) 4: Output voltage 5: DC bus voltage 6: Power factor 7: Power 8: Output torque 9: AVI 10: ACI 12: Iq current command 13: Iq feedback value 14: Id current command 15: Id feedback value 16: Vq-axis voltage command 17: Vd-axis voltage command 18: Torque command 19: PG2 frequency command 20: CANopen analog output 21: RS-485 analog output 22: Communication card analog output 23: Constant voltage output	0
↗ 03-21	Analog output gain (AFM)	0.0–500.0%	100.0
↗ 03-22	Analog output in REV direction (AFM)	0: Absolute value in output voltage 1: Reverse output 0 V; forward output 0–10 V 2: Reverse output 5–0 V; forward output 5–10 V	0
↗ 03-27	AFM output bias	-100.00–100.00%	0.00
↗ 03-28	AVI terminal input selection	0: 0–10 V (Pr.03-63–Pr.03-68 is valid) 3: -10–10 V (Pr.03-69–Pr.03-74 are valid)	0
↗ 03-29	ACI terminal input selection	0: 4–20 mA 1: 0–10 V 2: 0–20 mA	0
03-30	PLC analog output terminal status	Monitor the status of the PLC analog output terminals <input type="checkbox"/> bit 0: AFM	Read only

	Pr.	Explanation	Settings	Default
↗	03-31	AFM output selection	0: 0–10 V output 1: 0–20 mA output 2: 4–20 mA output	0
↗	03-32	AFM DC output setting level	0.00–100.00%	0.00
↗	03-35	AFM output filter time	0.00–20.00 sec.	0.01
↗	03-39	VR input selection	0: Disable 1: Frequency command	1
↗	03-40	VR input bias	-100.0–100.0%	0.0
↗	03-41	VR positive / negative bias	0: No bias 1: Lower than or equal to bias 2: Greater than or equal to bias 3: The absolute value of the bias voltage while serving as the center 4: Bias serves as the center	0
↗	03-42	VR gain	-500.0–500.0%	100.0
↗	03-43	VR filter time	0.00–2.00 sec.	0.01
↗	03-44	Multi-function output (MO) by AI level source	0: AVI 1: ACI	0
↗	03-45	AI upper level	-100–100%	50
↗	03-46	AI lower level	-100–100%	10
↗	03-50	Analog input curve selection	0: Normal curve 1: Three-point curve of AVI 2: Three-point curve of ACI 3: Three-point curve of AVI & ACI	0
↗	03-57	ACI lowest point	Pr.03-29 = 1, 0.00–10.00 V Pr.03-29 ≠ 1, 0.00–20.00 mA	4.00
↗	03-58	ACI proportional lowest point	0.00–100.00%	0.00
↗	03-59	ACI mid-point	Pr.03-29 = 1, 0.00–10.00 V Pr.03-29 ≠ 1, 0.00–20.00 mA	12.00
↗	03-60	ACI proportional mid-point	0.00–100.00%	50.00
↗	03-61	ACI highest point	Pr.03-29 = 1, 0.00–10.00 V Pr.03-29 ≠ 1, 0.00–20.00 mA	20.00
↗	03-62	ACI proportional highest point	0.00–100.00%	100.00
↗	03-63	AVI voltage lowest point	0.00–10.00 V	0.00
↗	03-64	AVI proportional lowest point	-100.00–100.00%	0.00
↗	03-65	AVI voltage mid-point	0.00–10.00 V	5.00

	Pr.	Explanation	Settings	Default
✓	03-66	AVI proportional mid-point	-100.00–100.00%	50.00
✓	03-67	AVI voltage highest point	0.00–10.00 V	10.00
✓	03-68	AVI proportional highest point	-100.00–100.00%	100.00
✓	03-69	Negative AVI voltage lowest point	-10.00–0.00 V (valid when Pr.03-28 sets as -10–10 V)	0.00
✓	03-70	Negative AVI proportional lowest point	-100.00–100.00% (valid when Pr.03-28 sets as -10–10 V)	0.00
✓	03-71	Negative AVI voltage mid-point	-10.00–0.00 V (valid when Pr.03-28 sets as -10–10 V)	-5.00
✓	03-72	Negative AVI proportional mid-point	-100.00–100.00% (valid when Pr.03-28 sets as -10–10 V)	-50.00
✓	03-73	Negative AVI voltage highest point	-10.00–0.00 V (valid when Pr.03-28 sets as -10–10 V)	-10.00
✓	03-74	Negative AVI proportional highest point	-100.00–100.00% (valid when Pr.03-28 sets as -10–10 V)	-100.00

04 Multi-step Speed Parameters

	Pr.	Explanation	Settings	Default
✓	04-00	1 st step speed frequency	0.00–599.00 Hz	0.00
✓	04-01	2 nd step speed frequency	0.00–599.00 Hz	0.00
✓	04-02	3 rd step speed frequency	0.00–599.00 Hz	0.00
✓	04-03	4 th step speed frequency	0.00–599.00 Hz	0.00
✓	04-04	5 th step speed frequency	0.00–599.00 Hz	0.00
✓	04-05	6 th step speed frequency	0.00–599.00 Hz	0.00
✓	04-06	7 th step speed frequency	0.00–599.00 Hz	0.00
✓	04-07	8 th step speed frequency	0.00–599.00 Hz	0.00
✓	04-08	9 th step speed frequency	0.00–599.00 Hz	0.00
✓	04-09	10 th step speed frequency	0.00–599.00 Hz	0.00
✓	04-10	11 th step speed frequency	0.00–599.00 Hz	0.00
✓	04-11	12 th step speed frequency	0.00–599.00 Hz	0.00
✓	04-12	13 th step speed frequency	0.00–599.00 Hz	0.00
✓	04-13	14 th step speed frequency	0.00–599.00 Hz	0.00
✓	04-14	15 th step speed frequency	0.00–599.00 Hz	0.00
✓	04-50	PLC buffer 0	0–65535	0
✓	04-51	PLC buffer 1	0–65535	0
✓	04-52	PLC buffer 2	0–65535	0
✓	04-53	PLC buffer 3	0–65535	0
✓	04-54	PLC buffer 4	0–65535	0
✓	04-55	PLC buffer 5	0–65535	0
✓	04-56	PLC buffer 6	0–65535	0
✓	04-57	PLC buffer 7	0–65535	0
✓	04-58	PLC buffer 8	0–65535	0
✓	04-59	PLC buffer 9	0–65535	0
✓	04-60	PLC buffer 10	0–65535	0
✓	04-61	PLC buffer 11	0–65535	0
✓	04-62	PLC buffer 12	0–65535	0
✓	04-63	PLC buffer 13	0–65535	0
✓	04-64	PLC buffer 14	0–65535	0
✓	04-65	PLC buffer 15	0–65535	0
✓	04-66	PLC buffer 16	0–65535	0
✓	04-67	PLC buffer 17	0–65535	0
✓	04-68	PLC buffer 18	0–65535	0
✓	04-69	PLC buffer 19	0–65535	0

05 Motor Parameters

Pr.	Explanation	Settings	Default
05-00	Motor parameter auto-tuning	0: No function 1: Dynamic test for induction motor (IM) 2: Static test for induction motor (IM) 5: Rolling auto-tuning for PM (IPM / SPM) 12: FOC sensorless inertia estimation 13: High frequency stall test for PM	0
05-01	Full-load current for induction motor 1 (A)	10–120% of the drive's rated current	Depending on the model power
↗ 05-02	Rated power for induction motor 1 (kW)	0.00–655.35 kW	Depending on the model power
↗ 05-03	Rated speed for induction motor 1 (rpm)	0–xxxxx rpm (Depending on the motor's number of poles) 1710 (60 Hz, 4 poles); 1410 (50 Hz, 4 poles)	Depending on the motor's number of poles
05-04	Number of poles for induction motor 1	2–20	4
05-05	No-load current for induction motor 1 (A)	0.00–Pr.05-01 default	Depending on the model power
05-06	Stator resistance (Rs) for induction motor 1	0.000–65.535 Ω	Depending on the model power
05-07	Rotor resistance (Rr) for induction motor 1	0.000–65.535 Ω	0.000
05-08	Magnetizing inductance (Lm) for induction motor 1	0.0–6553.5 mH	0.0
05-09	Stator inductance (Lx) for induction motor 1	0.0–6553.5 mH	0.0
05-13	Full-load current for induction motor 2 (A)	10–120% of the drive's rated current	Depending on the model power
↗ 05-14	Rated power for induction motor 2 (kW)	0.00–655.35 kW	Depending on the model power
↗ 05-15	Rated speed for induction motor 2 (rpm)	0–xxxxx rpm (Depending on the motor's number of poles) 1710 (60 Hz, 4 poles); 1410 (50 Hz, 4 poles)	Depending on the motor's number of poles
05-16	Number of poles for induction motor 2	2–20	4
05-17	No-load current for induction motor 2 (A)	0.00–Pr.05-13 default	Depending on the model power

Pr.	Explanation	Settings	Default
05-18	Stator resistance (Rs) for induction motor 2	0.000–65.535 Ω	Depending on the model power
05-19	Rotor resistance (Rr) for induction motor 2	0.000–65.535 Ω	0.000
05-20	Magnetizing inductance (Lm) for induction motor 2	0.0–6553.5 mH	0.0
05-21	Stator inductance (Lx) for induction motor 2	0.0–6553.5 mH	0.0
05-22	Multi-motor (induction) selection	1: Motor 1 2: Motor 2 3: Motor 3 (VF or SVC control mode only) 4: Motor 4 (VF or SVC control mode only)	1
↗ 05-23	Frequency for Y-connection / Δ-connection switch for an induction motor	0.00–599.00 Hz	60.00
05-24	Y-connection /Δ-connection switch for an induction motor	0: Disable 1: Enable	0
↗ 05-25	Delay time for Y-connection /Δ-connection switch for an induction motor	0.000–60.000 sec.	0.200
05-26	Accumulated Watt-second for a motor in low word (W-msec.)	Read only	0.0
05-27	Accumulated Watt-second for a motor in high word (W-sec.)	Read only	0.0
05-28	Accumulated Watt-hour for a motor (W-hour)	Read only	0.0
05-29	Accumulated Watt-hour for a motor in low word (kW-hour)	Read only	0.0
05-30	Accumulated Watt-hour for a motor in high word (MW-hour)	Read only	0.0
05-31	Accumulated motor operation time (minutes)	0–1439	0
05-32	Accumulated motor operation time (days)	0–65535	0

Pr.	Explanation	Settings	Default
05-33	Induction motor (IM) or permanent magnet synchronous AC motor (PM) selection	0: IM (Induction motor) 1: SPM (Surface permanent magnet synchronous AC motor) 2: IPM (Interior permanent magnet synchronous AC motor)	0
05-34	Full-load current for a permanent magnet synchronous AC motor	0–120% of the drive's rated current	Depending on the model power
05-35	Rated power for a permanent magnet synchronous AC motor	0.00–655.35 kW	Depending on the motor power
05-36	Rated speed for a permanent magnet synchronous AC motor	0–65535 rpm	2000
05-37	Number of poles for a permanent magnet synchronous AC motor	0–65535	10
05-39	Stator resistance for a permanent magnet synchronous AC motor	0.000–65.535 Ω	0.000
05-40	Permanent magnet synchronous AC motor Ld	0.00–655.35 mH	0.00
05-41	Permanent magnet synchronous AC motor Lq	0.00–655.35 mH	0.00
05-43	Ke parameter of a permanent magnet synchronous AC motor	0–65535 (Unit: V / krpm)	0
05-64	Full-load current for induction motor 3 (A)	10–120% of the drive's rated current	Depending on the model power
05-65	Rated power for induction motor 3 (kW)	0.00–655.35 kW	Depending on the model power
05-66	Rated speed for induction motor 3 (rpm)	0–xxxx rpm (Depending on the motor's number of poles) 1710 (60 Hz, 4 poles); 1410 (50 Hz, 4 poles)	Depending on the motor's number of poles
05-67	Number of poles for induction motor 3	2–20	4
05-68	No-load current for induction motor 3 (A)	0.00–Pr.05-64 default	Depending on the model power

Pr.	Explanation	Settings	Default
05-69	Stator resistance (Rs) for induction motor 3	0.000–65.535 Ω	Depending on the model power
05-70	Full-load current for induction motor 4 (A)	10–120% of the drive's rated current	Depending on the model power
↯ 05-71	Rated power for induction motor 4 (kW)	0.00–655.35 kW	Depending on the model power
↯ 05-72	Rated speed for induction motor 4 (rpm)	0–xxxxx rpm (Depending on the motor's number of poles) 1710 (60 Hz, 4 poles); 1410 (50 Hz, 4 poles)	Depending on the motor's number of poles
05-73	Number of poles for induction motor 4	2–20	4
05-74	No-load current for induction motor 4 (A)	0.00–Pr.05-70 default	Depending on the model power
05-75	Stator resistance (Rs) for induction motor 4	0.000–65.535 Ω	Depending on the model power

06 Protection Parameters (1)

Pr.	Explanation	Settings	Default
↗ 06-00	Low voltage level	115V / 230V models: 150.0–220.0 V _{DC} 460V models: 300.0–440.0 V _{DC} 575V models: 375.0–550.0 V _{DC}	180.0 360.0 450.0
↗ 06-01	Over-voltage stall prevention	0: Disable 115V / 230V models: 0.0–390.0 V _{DC} 460V models: 0.0–900.0 V _{DC} 575V models: 0.0–1000.0 V _{DC}	380.0 760.0 975.0
↗ 06-02	Selection for over-voltage stall prevention	0: Traditional over-voltage stall prevention 1: Smart over-voltage stall prevention	0
↗ 06-03	Over-current stall prevention during acceleration	Normal load: 0–150% (100% corresponds to the rated current of the drive) Heavy load: 0–200% (100% corresponds to the rated current of the drive)	120 180
↗ 06-04	Over-current stall prevention during operation	Normal load: 0–150% (100% corresponds to the rated current of the drive) Heavy load: 0–200% (100% corresponds to the rated current of the drive)	120 180
↗ 06-05	Acceleration / deceleration time selection for stall prevention at constant speed	0: By current acceleration / deceleration time 1: By the first acceleration / deceleration time 2: By the second acceleration / deceleration time 3: By the third acceleration / deceleration time 4: By the fourth acceleration / deceleration time 5: By Auto-acceleration / auto-deceleration	0
↗ 06-06	Over-torque detection selection (motor 1)	0: No function 1: Continue operation after over-torque detection during constant speed operation 2: Stop after over-torque detection during constant speed operation 3: Continue operation after over-torque detection during RUN 4: Stop after over-torque detection during RUN	0
↗ 06-07	Over-torque detection level (motor 1)	10–250% (100% corresponds to the rated current of the drive)	120
↗ 06-08	Over-torque detection time (motor 1)	0.1–60.0 sec.	0.1

Pr.	Explanation	Settings	Default
↗ 06-09	Over-torque detection selection (motor 2)	0: No function 1: Continue operation after over-torque detection during constant speed operation 2: Stop after over-torque detection during constant speed operation 3: Continue operation after over-torque detection during RUN 4: Stop after over-torque detection during RUN	0
↗ 06-10	Over-torque detection level (motor 2)	10–250% (100% corresponds to the rated current of the drive)	120
↗ 06-11	Over-torque detection time (motor 2)	0.1–60.0 sec.	0.1
↗ 06-12	Current limit	0–250% (100% corresponds to the rated current of the drive)	150
↗ 06-13	Electronic thermal relay selection 1 (motor 1)	0: Inverter motor (with external forced cooling) 1: Standard motor (motor with fan on the shaft) 2: Disabled	2
↗ 06-14	Electronic thermal relay action time 1 (motor 1)	30.0–600.0 sec.	60.0
↗ 06-15	Temperature level overheat (OH) warning	0.0–110.0°C	Depending on the model power
↗ 06-16	Stall prevention limit level (Weak magnetic field current stall prevention level)	0–100% (refer to Pr.06-03–Pr.06-04)	100
06-17	Fault record 1	0: No fault record	0
06-18	Fault record 2	1: Over-current during acceleration (ocA)	0
06-19	Fault record 3	2: Over-current during deceleration (ocd)	0
06-20	Fault record 4	3: Over-current during steady operation (ocn)	0
06-21	Fault record 5	4: Ground fault (GFF)	0
06-22	Fault record 6	6: Over-current at stop (ocS)	0
	Fault record 7 (Pr.14-70)	7: Over-voltage during acceleration (ovA)	0
	Fault record 8 (Pr.14-71)	8: Over-voltage during deceleration (ovd)	0
	Fault record 9 (Pr.14-72)	9: Over-voltage during constant speed (ovn)	0
	Fault record 10 (Pr.14-73)	10: Over-voltage at stop (ovS)	0
		11: Low-voltage during acceleration (LvA)	
		12: Low-voltage during deceleration (Lvd)	
		13: Low-voltage during constant speed (Lvn)	
		14: Low-voltage at stop (LvS)	
		15: Phase loss protection (orP)	

Pr.	Explanation	Settings	Default
		16: IGBT overheating (oH1) 18: IGBT temperature detection failure (tH1o) 21: Over load (oL) 22: Electronic thermal relay 1 protection (EoL1) 23: Electronic thermal relay 2 protection (EoL2) 24: Motor PTC overheating (oH3) 26: Over torque 1 (ot1) 27: Over torque 2 (ot2) 28: Under current (uC) 31: EEPROM read error (cF2) 33: U-phase error (cd1) 34: V-phase error (cd2) 35: W-phase error (cd3) 36: cc (current clamp) hardware error (Hd0) 37: oc (over-current) hardware error (Hd1) 40: Auto-tuning error (AUE) 41: PID loss ACI (AFE) 43: PG feedback loss (PGF2) 44: PG feedback stall (PGF3) 45: PG slip error (PGF4) 48: ACI loss (ACE) 49: External fault (EF) 50: Emergency stop (EF1) 51: External Base Block (bb) 52: Password is locked (Pcod) 54: Illegal command (CE1) 55: Illegal data address (CE2) 56: Illegal data value (CE3) 57: Data is written to read-only address (CE4) 58: Modbus transmission time-out (CE10) 61: Y-connection / Δ -connection switch error (ydc) 62: Deceleration energy backup error (dEb) 63: Over slip error (oSL) 72: STO Loss (STL1) 76: STO (STo) 77: STO Loss 2 (STL2) 78: STO Loss 3 (STL3) 79: U-phase Over-current before run (Aoc) 80: V-phase Over-current before run (boc) 81: W-phase Over-current before run (coc)	

Pr.	Explanation	Settings	Default	
		82: Output phase loss U phase (oPL1) 83: Output phase loss V phase (oPL2) 84: Output phase loss W phase (oPL3) 87: Low frequency overload protection (oL3) 89: Rotor position detection error (roPd) 101: CANopen guarding error (CGdE) 102: CANopen heartbeat error (CHbE) 104: CANopen bus off error (CbFE) 105: CANopen index error (CidE) 106: CANopen station address error (CAdE) 107: CANopen memory error (CFrE) 111: InrCOM time-out error (ictE) 121: Internal communication error (CP20) 123: Internal communication error (CP22) 124: Internal communication error (CP30) 126: Internal communication error (CP32) 127: Internal communication error (CP33) 128: Over-torque 3 (ot3) 129: Over-torque 4 (ot4) 134: Internal communication error (EoL3) 135: Internal communication error (EoL4) 140: Oc hardware error (Hd6) 141: GFF occurs before run (b4GFF) 142: Auto-tune error 1 (DC test stage) (AuE1) 143: Auto-tune error 2 (High frequency test stage) (AuE2) 144: Auto-tune error 3 (Rotary test stage) (AuE3)		
↗	06-23	Fault output option 1	0–65535 (refer to bit table for fault code)	0
↗	06-24	Fault output option 2	0–65535 (refer to bit table for fault code)	0
↗	06-25	Fault output option 3	0–65535 (refer to bit table for fault code)	0
↗	06-26	Fault output option 4	0–65535 (refer to bit table for fault code)	0
↗	06-27	Electronic thermal relay selection 2 (motor 2)	0: Inverter motor (with external forced cooling) 1: Standard motor (motor with fan on the shaft) 2: Disabled	2
↗	06-28	Electronic thermal relay action time 2 (motor 2)	30.0–600.0 sec.	60.0
↗	06-29	PTC detection selection	0: Warn and continue operation 1: Fault and ramp to stop 2: Fault and coast to stop 3: No warning	0
↗	06-30	PTC level	0.0–100.0%	50.0

Pr.	Explanation	Settings	Default
06-31	Frequency command at malfunction	0.00–599.00 Hz	Read only
06-32	Output frequency at malfunction	0.00–599.00 Hz	Read only
06-33	Output voltage at malfunction	0.0–6553.5 V	Read only
06-34	DC bus voltage at malfunction	0.0–6553.5 V	Read only
06-35	Output current at malfunction	0.00–655.35 Amp	Read only
06-36	IGBT temperature at malfunction	-3276.7–3276.7°C	Read only
06-38	Motor speed at malfunction	-32767–32767 rpm	Read only
06-39	Torque command at malfunction	-32767–32767%	Read only
06-40	Status of the multi-function input terminal at malfunction	0000h–FFFFh	Read only
06-41	Status of the multi-function output terminal at malfunction	0000h–FFFFh	Read only
06-42	Drive status at malfunction	0000h–FFFFh	Read only
↗ 06-44	STO latch selection	0: STO latch 1: STO no latch	0
↗ 06-45	Output phase loss detection action (OPHL)	0: Warn and continue operation 1: Fault and ramp to stop 2: Fault and coast to stop 3: No warning	3
↗ 06-46	Detection time for output phase loss	0.000–65.535 sec.	0.500
↗ 06-47	Current detection level for output phase loss	0.00–100.00%	1.00
↗ 06-48	DC brake time for output phase loss	0.000–65.535 sec.	0.000
06-49	LvX auto-reset	0: Disable 1: Enable	0
↗ 06-53	Input phase loss detection action (OrP)	0: Fault and ramp to stop 1: Fault and coast to stop	0

Pr.	Explanation	Settings	Default
↗ 06-55	Derating protection	0: Constant rated current and limit carrier frequency by load current and temperature 1: Constant carrier frequency and limit load current by setting carrier frequency 2: Constant rated current (same as setting 0), but close current limit	0
↗ 06-56	PT100 voltage level 1	0.000–10.000 V	5.000
↗ 06-57	PT100 voltage level 2	0.000–10.000 V	7.000
↗ 06-58	PT100 level 1 frequency protection	0.00–599.00 Hz	0.00
↗ 06-59	PT100 activation level 1 protection frequency delay time	0–6000 sec.	60
↗ 06-60	Software detection GFF current level	0.0–6553.5%	60.0
↗ 06-61	Software detection GFF filter time	0.00–655.35 sec.	0.10
06-63	Operation time of fault record 1 (Days)	0–65535 days	Read only
06-64	Operation time of fault record 1 (Minutes)	0–1439 min.	Read only
06-65	Operation time of fault record 2 (Days)	0–65535 days	Read only
06-66	Operation time of fault record 2 (Minutes)	0–1439 min.	Read only
06-67	Operation time of fault record 3 (Days)	0–65535 days	Read only
06-68	Operation time of fault record 3 (Minutes)	0–1439 min.	Read only
06-69	Operation time of fault record 4 (Days)	0–65535 days	Read only
06-70	Operation time of fault record 4 (Minutes)	0–1439 min.	Read only
↗ 06-71	Low current setting level	0.0–100.0%	0.0
↗ 06-72	Low current detection time	0.00–360.00 sec.	0.00
↗ 06-73	Low current action	0: No function 1: Fault and coast to stop 2: Fault and ramp to stop by the second deceleration time 3: Warn and continue operation	0

Pr.	Explanation	Settings	Default
06-80	Fire mode	0: Disable 1: Operates in a counterclockwise direction 2: Operates in a clockwise direction	0
06-81	Operating frequency in fire mode	0.00–599.00 Hz	60.00
06-88	Operation times in fire mode	0–65535 times	Read only
06-90	Operation time of fault record 5 (days)	0–65535 days	Read only
06-91	Operation time of fault record 5 (minutes)	0–1439 min.	Read only
06-92	Operation time of fault record 6 (days)	0–65535 days	Read only
06-93	Operation time of fault record 6 (minutes)	0–1439 min.	Read only

07 Special Parameters

Pr.	Explanation	Settings	Default
↯ 07-00	Software brake chopper action level	115V / 230V models: 350.0–450.0 V _{DC} 460V models: 700.0–900.0 V _{DC} 575V models: 875.0–1000.0 V _{DC}	370.0 740.0 950.0
↯ 07-01	DC brake current level	0–100%	0
↯ 07-02	DC brake time at start-up	0.0–60.0 sec.	0.0
↯ 07-03	DC brake time at STOP	0.0–60.0 sec.	0.0
↯ 07-04	DC brake frequency at STOP	0.00–599.00 Hz	0.00
↯ 07-05	Voltage increasing gain	1–200%	100
↯ 07-06	Restart after momentary power loss	0: Stop operation 1: Speed tracking by the speed before the power loss 2: Speed tracking by the minimum output frequency	0
↯ 07-07	Allowed power loss duration	0.0–20.0 sec.	2.0
↯ 07-08	Base Block time	0.0–60.0 sec.	0.5
↯ 07-09	Current limit of speed tracking	20–200%	100
↯ 07-10	Restart after fault action	0: Stop operation 1: Speed tracking by current speed 2: Speed tracking by minimum output frequency	0
↯ 07-11	Number of times of restart after fault	0–10	0
↯ 07-12	Speed tracking during start-up	0: Disable 1: Speed tracking by the maximum output frequency 2: Speed tracking by the motor frequency at start-up 3: Speed tracking by the minimum output frequency	0
↯ 07-13	dEb function selection	0: Disable 1: dEb with auto-acceleration / auto-deceleration, the drive does not output the frequency after the power is restored. 2: dEb with auto-acceleration / auto-deceleration, the drive outputs the frequency after the power is restored. 3: dEb low-voltage control, then the drive's voltage increases to 350 V _{DC} / 700 V _{DC} and ramps to stop after low frequency 4: dEb high-voltage control of 350 V _{DC} / 700 V _{DC} , and the drive ramps to stop	0
↯ 07-15	Dwell time at acceleration	0.00–600.00 sec.	0.00

	Pr.	Explanation	Settings	Default
✓	07-16	Dwell frequency at acceleration	0.00–599.00 Hz	0.00
✓	07-17	Dwell time at deceleration	0.00–600.00 sec.	0.00
✓	07-18	Dwell frequency at deceleration	0.00–599.00 Hz	0.00
✓	07-19	Fan cooling control	0: Fan is always ON 1: Fan is OFF after the AC motor drive stops for one minute. 2: Fan is ON when the AC motor drive runs, fan is OFF when the AC motor drive stops. 3: Fan turns ON when temperature (IGBT) reaches around 60°C.	3
✓	07-20	Emergency stop (EF) & force to stop selection	0: Coast to stop 1: Stop by the first deceleration time 2: Stop by the second deceleration time 3: Stop by the third deceleration time 4: Stop by the fourth deceleration time 5: System deceleration 6: Automatic deceleration	0
✓	07-21	Automatic energy-saving setting	0: Disable 1: Enable	0
✓	07-22	Energy-saving gain	10–1000%	100
✓	07-23	Automatic voltage regulation (AVR) function	0: Enable AVR 1: Disable AVR 2: Disable AVR during deceleration	0
✓	07-24	Torque command filter time (V/F and SVC control mode)	0.001–10.000 sec.	0.050
✓	07-25	Slip compensation filter time (V/F and SVC control mode)	0.001–10.000 sec.	0.100
✓	07-26	Torque compensation gain (V/F and SVC control mode)	IM: 0–10 (when Pr.05-33 = 0) PM: 0–5000 (when Pr.05-33 = 1 or 2)	1
✓	07-27	Slip compensation gain (V/F and SVC control mode)	0.00–10.00	0.00 (Default value is 1.00 in SVC mode)
✓	07-29	Slip deviation level	0.0–100.0% 0: No detection	0

	Pr.	Explanation	Settings	Default
↯	07-30	Over-slip deviation detection time	0.0–10.0 sec.	1.0
↯	07-31	Over-slip deviation treatment	0: Warn and continue operation 1: Fault and ramp to stop 2: Fault and coast to stop 3: No warning	0
↯	07-32	Motor oscillation compensation factor	0–10000	1000
↯	07-33	Auto-restart interval of fault	0.0–6000.0 sec.	60.0
	07-38	PMSVC voltage feed forward gain	0.50–2.00	1.00
	07-46	OOB sampling time	0.1–120.0 sec.	1.0
	07-47	Number of OOB sampling times	00–32	20
	07-48	OOB average sampling angle	Read only	Read only
↯	07-62	dEb gain (Kp)	0–65535	8000
↯	07-63	dEb gain (Ki)	0–65535	150
↯	07-71	Torque compensation gain (motor 2)	IM: 0–10 (when Pr.05-33 = 0) PM: 0–5000 (when Pr.05-33 = 1 or 2)	1
↯	07-72	Slip compensation gain (motor 2)	0.00–10.00	0.00 (Default value is 1.00 in SVC mode)
↯	07-73	Torque compensation gain (motor 3)	IM: 0–10 (when Pr.05-33 = 0) PM: 0–5000 (when Pr.05-33 = 1 or 2)	1
↯	07-74	Slip compensation gain (motor 3)	0.00–10.00	0.00 (Default value is 1.00 in SVC mode)
↯	07-75	Torque compensation gain (motor 4)	IM: 0–10 (when Pr.05-33 = 0) PM: 0–5000 (when Pr.05-33 = 1 or 2)	1
↯	07-76	Slip compensation gain (motor 4)	0.00–10.00	0.00 (Default value is 1.00 in SVC mode)

08 High-function PID Parameters

Pr.	Explanation	Settings	Default
✓ 08-00	Terminal selection of PID feedback	0: No function 1: Negative PID feedback: by analog input (Pr.03-00, Pr.03-01) 2: Negative PID feedback: by single-phase input (MI7), without direction (Pr.10-16=5) 4: Positive PID feedback: by analog input (Pr.03-00, Pr.03-01) 5: Positive PID feedback: by single-phase input (MI7), without direction (Pr.10-16=5) 7: Negative PID feedback: by communication protocols 8: Positive PID feedback: by communication protocols	0
✓ 08-01	Proportional gain (P)	0.0–1000.0 (When Pr.08-23 bit 1=0) 0.00–100.00 (When Pr.08-23 bit 1=1)	1.00
✓ 08-02	Integral time (I)	0.00–100.00 sec.	1.00
✓ 08-03	Differential time (D)	0.00–1.00 sec.	0.00
✓ 08-04	Upper limit of integral control	0.0–100.0%	100.0
✓ 08-05	PID output command limit (positive limit)	0.0–110.0%	100.0
✓ 08-06	PID feedback value by communication protocol	-200.00–200.00%	0.00
✓ 08-07	PID delay time	0.0–2.5 sec.	0.0
✓ 08-08	Feedback signal detection time	0.0–3600.0 sec.	0.0
✓ 08-09	Feedback signal fault treatment	0: Warn and continue operation 1: Fault and ramp to stop 2: Fault and coast to stop 3: Warn and operate at last frequency	0
✓ 08-10	Sleep frequency	0.00–599.00 Hz	0.00
✓ 08-11	Wake-up frequency	0.00–599.00 Hz	0.00
✓ 08-12	Sleep time	0.0–6000.0 sec.	0.0
✓ 08-13	PID feedback signal error deviation level	1.0–50.0%	10.0
✓ 08-14	PID feedback signal error deviation detection time	0.1–300.0 sec.	5.0
✓ 08-15	PID feedback signal filter time	0.1–300.0 sec.	5.0
✓ 08-16	PID compensation selection	0: Parameter setting 1: Analog input	0

	Pr.	Explanation	Settings	Default
↗	08-17	PID compensation	-100.0–100.0%	0
	08-18	Sleep mode function setting	0: Refer to PID output command 1: Refer to PID feedback signal	0
↗	08-19	Wake-up integral limit	0.0–200.0%	50.0
	08-20	PID mode selection	0: Serial connection 1: Parallel connection	0
	08-21	Enable PID to change the operation direction	0: Operation direction cannot be changed 1: Operation direction can be changed	0
↗	08-22	Wake-up delay time	0.00–600.00 sec.	0.00
↗	08-23	PID control flag	bit 0 = 1: PID running in reverse follows the setting for Pr.00-23. bit 0 = 0: PID running in reverse refers to PID's calculated value. bit 1 = 1: two decimal places for PID Kp bit 1 = 0: one decimal place for PID Kp	2
↗	08-26	PID output command limit (reverse limit)	0.0–100.0%	100.0
↗	08-27	Acceleration / deceleration time for PID command	0.00–655.35 sec.	0.00
↗	08-29	Frequency base corresponding to 100.00% PID	0: PID control output 100.00% corresponding to maximum operation frequency (Pr.01-00) 1: PID control output 100.00% corresponding to the input value of the auxiliary frequency	0
↗	08-31	Proportional gain 2	0.0–1000.0 (when Pr.08-23 setting bit1=0) 0.00–100.00 (when Pr.08-23 setting bit1=1)	1.00
↗	08-32	Integral time 2	0.00–100.00 sec.	1.00
↗	08-33	Differential time 2	0.00–1.00 sec.	0.00
↗	08-65	PID target value source	0: Frequency command (Pr.00-20, Pr.00-30) 1: Pr.08-66 setting 2: RS-485 communication input 3: External analog input (refer to Pr.03-00, Pr.03-01) 4: CANopen communication card 6: Communication card (does not include CANopen card) 7: Digital keypad potentiometer knob	0
↗	08-66	PID target value setting	-100.00–100.00%	50.00
↗	08-67	Master and auxiliary reverse running cutoff frequency	0.0–100.0%	10.0
↗	08-68	PID deviation limit	0.00–100.00%	0.00
↗	08-69	Integral separation level	0.00–100.00%	0.00

	Pr.	Explanation	Settings	Default
	08-70	Smart start-up level	0.00–100.00%	5.00
↗	08-71	Smart start-up frequency command	0.00–599.00 Hz	0.00
↗	08-72	Smart start-up acceleration time	0.00–600.00 sec.	3.00
↗	08-75	PID2 parameter switch condition	0: No switching (refer to Pr.08-01–Pr.08-03) 1: Auto-switch based on the output frequency 2: Auto-switch based on the deviation	0
↗	08-76	PID2 parameter switch deviation 1	0.00–Pr.08-77%	10.00
↗	08-77	PID2 parameter switch deviation 2	Pr.08-76–100.00%	40.00
↗	08-78	Allowed reverse running time after start-up	0.0–6553.5 sec.	0.0

09 Communication Parameters

	Pr.	Explanation	Settings	Default
↗	09-00	Communication address	1–254	1
↗	09-01	COM1 transmission speed	4.8–115.2 Kbps	9.6
↗	09-02	COM1 transmission fault treatment	0: Warn and continue operation 1: Fault and ramp to stop 2: Fault and coast to stop 3: No warning, no fault, and continue operation	3
↗	09-03	COM1 time-out detection	0.0–100.0 sec.	0.0
↗	09-04	COM1 communication protocol	1: 7, N, 2 (ASCII) 2: 7, E, 1 (ASCII) 3: 7, O, 1 (ASCII) 4: 7, E, 2 (ASCII) 5: 7, O, 2 (ASCII) 6: 8, N, 1 (ASCII) 7: 8, N, 2 (ASCII) 8: 8, E, 1 (ASCII) 9: 8, O, 1 (ASCII) 10: 8, E, 2 (ASCII) 11: 8, O, 2 (ASCII) 12: 8, N, 1 (RTU) 13: 8, N, 2 (RTU) 14: 8, E, 1 (RTU) 15: 8, O, 1 (RTU) 16: 8, E, 2 (RTU) 17: 8, O, 2 (RTU)	1
↗	09-09	Communication response delay time	0.0–200.0 ms	2.0
	09-10	Communication main frequency	0.00–599.00 Hz	60.00
↗	09-11	Block transfer 1	0–65535	0
↗	09-12	Block transfer 2	0–65535	0
↗	09-13	Block transfer 3	0–65535	0
↗	09-14	Block transfer 4	0–65535	0
↗	09-15	Block transfer 5	0–65535	0
↗	09-16	Block transfer 6	0–65535	0
↗	09-17	Block transfer 7	0–65535	0
↗	09-18	Block transfer 8	0–65535	0
↗	09-19	Block transfer 9	0–65535	0
↗	09-20	Block transfer 10	0–65535	0

	Pr.	Explanation	Settings	Default
✓	09-21	Block transfer 11	0–65535	0
✓	09-22	Block transfer 12	0–65535	0
✓	09-23	Block transfer 13	0–65535	0
✓	09-24	Block transfer 14	0–65535	0
✓	09-25	Block transfer 15	0–65535	0
✓	09-26	Block transfer 16	0–65535	0
	09-30	Communication decoding method	0: Decoding method 1 1: Decoding method 2	1
✓	09-33	PLC command force to 0	0–65535	0
	09-35	PLC address	1–254	2
	09-36	CANopen slave address	0: Disable 1–127	0
	09-37	CANopen speed	0: 1 Mbps 1: 500 Kbps 2: 250 Kbps 3: 125 Kbps 4: 100 Kbps (Delta only) 5: 50 Kbps	0
	09-39	CANopen warning record	bit 0: CANopen software disconnection 1 (CANopen guarding time-out) bit 1: CANopen software disconnection 2 (CANopen heartbeat time-out) bit 3: CANopen SDO time-out bit 4: CANopen SDO buffer overflow bit 5: CANopen hardware disconnection warning (CANopen bus off) bit 6: CANopen format error warning (Error protocol for CANopen)	0
	09-40	CANopen decoding method	0: Use Delta-defined decoding method 1: Use CANopen standard DS402 protocol	1
	09-41	CANopen communication status	0: Node reset state 1: Com reset state 2: Boot up state 3: Pre-operation state 4: Operation state 5: Stop state	Read only

Pr.	Explanation	Settings	Default
09-42	CANopen control status	0: Not ready for use state 1: Inhibit start state 2: Ready to switch on state 3: Switched on state 4: Enable operation state 7: Quick stop active state 13: Error reaction activation state 14: Error state	Read only
09-43	CANopen reset index	bit 0: CANopen reset, the internal address 20XX is 0 bit 1: CANopen reset, the internal address 264X is 0 bit 2: CANopen reset, the internal address 26AX is 0 bit 3: CANopen reset, the internal address 60XX is 0	65535
09-60	Communication card identification	0: No communication card 1: DeviceNet slave 2: PROFIBUS-DP slave 3: CANopen slave 4: Modbus-TCP slave 5: EtherNet/IP slave 6: EtherCAT 10: Backup power supply	Read only
09-61	Firmware version of communication card	Read only	Read only
09-62	Product code	Read only	Read only
09-63	Error code	Read only	Read only
↗ 09-70	Communication card address (for DeviceNet or PROFIBUS)	DeviceNet: 0–63 PROFIBUS-DP: 1–125	1
↗ 09-71	Communication card speed setting (for DeviceNet)	Standard DeviceNet: 0: 125 Kbps 1: 250 Kbps 2: 500 Kbps 3: 1 Mbps (Delta only) Non-standard DeviceNet (Delta only): 0: 10 Kbps 1: 20 Kbps 2: 50 Kbps 3: 100 Kbps 4: 125 Kbps 5: 250 Kbps 6: 500 Kbps	2

Pr.	Explanation	Settings	Default
		7: 800 Kbps 8: 1 Mbps	
✓ 09-72	Additional settings for communication card speed (for DeviceNet)	0: Disable In this mode, the baud rate can only be 125 Kbps, 250 Kbps, 500 Kbps, or 1 Mbps in standard DeviceNet speed. 1: Enable In this mode, DeviceNet baud rate can be same as that for CANopen (0–8).	0
✓ 09-75	Communication card IP configuration (for Modbus TCP)	0: Static IP 1: Dynamic IP (DHCP)	0
✓ 09-76	Communication card IP address 1 (for Modbus TCP)	0–255	0
✓ 09-77	Communication card IP address 2 (for Modbus TCP)	0–255	0
✓ 09-78	Communication card IP address 3 (for Modbus TCP)	0–255	0
✓ 09-79	Communication card IP address 4 (for Modbus TCP)	0–255	0
✓ 09-80	Communication card address mask 1 (for Modbus TCP)	0–255	0
✓ 09-81	Communication card address mask 2 (for Modbus TCP)	0–255	0
✓ 09-82	Communication card address mask 3 (for Modbus TCP)	0–255	0
✓ 09-83	Communication card address mask 4 (for Modbus TCP)	0–255	0
✓ 09-84	Communication card gateway address 1 (for Modbus TCP)	0–255	0

Pr.	Explanation	Settings	Default
↗ 09-85	Communication card gateway address 2 (for Modbus TCP)	0–255	0
↗ 09-86	Communication card gateway address 3 (for Modbus TCP)	0–255	0
↗ 09-87	Communication card gateway address 4 (for Modbus TCP)	0–255	0
↗ 09-88	Communication card password (low word) (for Modbus TCP)	0–99	0
↗ 09-89	Communication card password (high word) (for Modbus TCP)	0–99	0
↗ 09-90	Reset communication card (for Modbus TCP)	0: Disable 1: Reset to defaults	0
↗ 09-91	Additional settings for the communication card (for Modbus TCP)	bit 0: Enable IP filter bit 1: Enable internet parameters (1 bit) When the IP address is set, this bit is enabled. After updating the parameters for the communication card, this bit changes to disabled. bit 2: Enable login password (1 bit) When you enter the login password, this bit is enabled. After updating the communication card parameters, this bit changes to disabled.	0
09-92	Communication card status (for Modbus TCP)	bit 0: Enable password When the communication card is set with a password, this bit is enabled. When the password is cleared, this bit is disabled.	0

10 Speed Feedback Control Parameters

Pr.	Explanation	Settings	Default
10-00	Encoder type selection	0: Disabled 5: Pulse input (MI7)	0
10-01	Encoder pulses per revolution	1–20000	600
10-02	Encoder input type setting	0: Disable 5: Single-phase input (MI7)	0
✓ 10-04	Electrical gear at load side A1	1–65535	100
✓ 10-05	Electrical gear at motor side B1	1–65535	100
✓ 10-06	Electrical gear at load side A2	1–65535	100
✓ 10-07	Electrical gear at motor side B2	1–65535	100
✓ 10-10	Encoder stall level	0: No function 0–120%	115
✓ 10-11	Detection time of encoder stall	0.0–2.0 sec.	0.1
✓ 10-12	Encoder stall action	0: Warn and continue operation 1: Fault and ramp to stop 2: Fault and coast to stop	2
✓ 10-13	Encoder slip range	0: Disable 0–50%	50
✓ 10-14	Detection time of encoder slip	0.0–10.0 sec.	0.5
✓ 10-15	Encoder stall and slip error action	0: Warn and continue operation 1: Fault and ramp to stop 2: Fault and coast to stop	2
✓ 10-16	Pulse input type setting	0: Disabled 5: Single-phase input (MI7)	0
✓ 10-17	Electrical gear A	1–65535	100
✓ 10-18	Electrical gear B	1–65535	100
✓ 10-21	PG2 pulse input speed command low pass filter time	0.000–65.535 sec.	0.100
✓ 10-24	FOC & TQC function control	0–65535	0

	Pr.	Explanation	Settings	Default
↗	10-25	FOC bandwidth for speed observer	20.0–100.0 Hz	40.0
↗	10-26	FOC minimum stator frequency	0.0–10.0% fN	2.0
↗	10-27	FOC low pass filter time constant	1–1000 ms	50
↗	10-28	FOC gain for excitation current rise time	33–100% Tr	100
↗	10-29	Upper limit of frequency deviation	0.00–200.00 Hz	20.00
↗	10-31	I/F mode, current command	0–150% rated current of the motor	40
↗	10-32	PM FOC sensorless speed estimator bandwidth	0.00–600.00 Hz	5.00
↗	10-34	PM sensorless speed estimator low-pass filter gain	0.00–655.35	1.00
↗	10-35	AMR (Kp) gain	0.00–3.00	1.00
↗	10-36	AMR (Ki) gain	0.00–3.00	0.20
↗	10-39	Frequency point to switch from I/F mode to PM sensorless mode	0.00–599.00 Hz	20.00
↗	10-40	Frequency point to switch from PM sensorless mode to I/F mode	0.00–599.00 Hz	20.00
↗	10-42	Initial angle detection pulse value	0.0–3.0	1.0
↗	10-49	Zero voltage time during start-up	0.000–60.000 sec.	0.000
↗	10-51	Injection frequency	0–1200 Hz	500
↗	10-52	Injection magnitude	115V / 230V models: 100.0 V 460V models: 200.0 V 575V models: 200.0 V Note: The setting range varies depending on the voltage.	15.0 30.0 37.5
↗	10-53	Angle detection method	0: Disabled 1: Force attracting the rotor to zero degrees 2: High frequency injection 3: Pulse injection	0

11 Advanced Parameters

Pr.	Explanation	Settings	Default
11-00	System control	bit 0: Auto-tuning for ASR and APR bit 3: Dead time compensation closed bit 7: Save or do not save the frequency	0
11-01	Per-unit of system inertia	1–65535 (256 = 1 PU)	256
✓ 11-02	ASR1 / ASR2 switch frequency	5.00–599.00 Hz	7.00
✓ 11-03	ASR1 low-speed bandwidth	1–40 Hz	Read only
✓ 11-04	ASR2 high-speed bandwidth	1–40 Hz	Read only
✓ 11-05	Zero-speed bandwidth	1–40 Hz	Read only
✓ 11-06	ASR1 gain	0–40 Hz	10
✓ 11-07	ASR1 integral time	0.000–10.000 sec.	0.100
✓ 11-08	ASR2 gain	0–40 Hz	10
✓ 11-09	ASR2 integral time	0.000–10.000 sec.	0.100
✓ 11-10	ASR gain of zero speed	0–40 Hz	10
✓ 11-11	ASR integral time of zero speed	0.000–10.000 sec.	0.100
✓ 11-12	Gain for ASR speed feed forward	0–200%	0
✓ 11-13	PDFF gain value	0–200%	30
✓ 11-14	ASR output low pass filter time	0.000–0.350 sec.	0.008
✓ 11-15	Notch filter depth	0–20 db	0
✓ 11-16	Notch filter frequency	0.00–200.00 Hz	0.00
✓ 11-17	Forward motor torque limit	0–500%	500
✓ 11-18	Forward regenerative torque limit	0–500%	500
✓ 11-19	Reverse motor torque limit	0–500%	500
✓ 11-20	Reverse regenerative torque limit	0–500%	500
✓ 11-21	Flux weakening curve for motor 1 gain value	0–200%	90
✓ 11-22	Flux weakening curve for motor 2 gain value	0–200%	90
✓ 11-23	Flux weakening area speed response	0–150%	65

	Pr.	Explanation	Settings	Default
↗	11-27	Maximum torque command	0–500%	100
↗	11-28	Torque offset source	0: Disable 1: Analog signal input 2: RS-485 communication (Pr.11-29) 3: Controlled through external terminals (Pr.11-30–11-32)	0
↗	11-29	Torque offset setting	-100.0–100.0%	0.0
↗	11-30	High torque offset	-100.0–100.0%	30.0
↗	11-31	Middle torque offset	-100.0–100.0%	20.0
↗	11-32	Low torque offset	-100.0–100.0%	10.0
↗	11-33	Torque command source	0: Digital keypad 1: RS-485 communication (Pr.11-34) 2: Analog signal input (Pr.03-00) 3: CANopen 5: Communication Card	0
↗	11-34	Torque command	-100.0–100.0%	0.0
↗	11-35	Torque command filter time	0.000–1.000 sec.	0.000
	11-36	Speed limit selection	0: Set by Pr.11-37 (forward speed limit) and Pr.11-38 (reverse speed limit) 1: Set by Pr.00-20 (Master frequency command (AUTO, REMOTE) source) and Pr.11-37, Pr.11-38 2: Set by Pr.00-20 (master frequency command (AUTO, REMOTE) source)	0
↗	11-37	Forward speed limit (Torque mode)	0–120%	10
↗	11-38	Reverse speed limit (Torque mode)	0–120%	10
	11-41	PWM mode selection	0: Two-phase modulation mode 2: Space vector modulation mode	2
↗	11-42	System control flag	0000–FFFFh	0000

13 Macro / User-Defined Macro

Pr.	Explanation	Settings	Default
13-00	Industry-specific parameter application	00: Disabled 01: User-defined parameter 02: Compressor 03: Fan 04: Pump 05: Conveyor 06: Machine tool 07: Packing 08: Textiles 10: Logistics 11: Tension PID 12: Tension PID + master / auxiliary frequency	00
13-01 – 13-50	Application parameters (user-defined)		



14 Protection Parameters (2)

Pr.	Explanation	Settings	Default
14-50	Output frequency at malfunction 2	0.00–599.00 Hz	Read only
14-51	DC bus voltage at malfunction 2	0.0–6553.5 V	Read only
14-52	Output current at malfunction 2	0.00–655.35 Amp	Read only
14-53	IGBT temperature at malfunction 2	-3276.7–3276.7°C	Read only
14-54	Output frequency at malfunction 3	0.00–599.00 Hz	Read only
14-55	DC bus voltage at malfunction 3	0.0–6553.5 V	Read only
14-56	Output current at malfunction 3	0.00–655.35 Amp	Read only
14-57	IGBT temperature at malfunction 3	-3276.7–3276.7°C	Read only
14-58	Output frequency at malfunction 4	0.00–599.00 Hz	Read only
14-59	DC bus voltage at malfunction 4	0.0–6553.5 V	Read only
14-60	Output current at malfunction 4	0.00–655.35 Amp	Read only
14-61	IGBT temperature at malfunction 4	-3276.7–3276.7°C	Read only
14-62	Output frequency at malfunction 5	0.00–599.00 Hz	Read only
14-63	DC bus voltage at malfunction 5	0.0–6553.5 V	Read only
14-64	Output current at malfunction 5	0.00–655.35 Amp	Read only
14-65	IGBT temperature at malfunction 5	-3276.7–3276.7°C	Read only
14-66	Output frequency at malfunction 6	0.00–599.00 Hz	Read only
14-67	DC bus voltage at malfunction 6	0.0–6553.5 V	Read only
14-68	Output current at malfunction 6	0.00–655.35 Amp	Read only

Pr.	Explanation	Settings	Default
14-69	IGBT temperature at malfunction 6	-3276.7–3276.7°C	Read only
14-70	Fault record 7	Refer to fault record Pr.06-17–Pr.06-22	0
14-71	Fault record 8	Refer to fault record Pr.06-17–Pr.06-22	0
14-72	Fault record 9	Refer to fault record Pr.06-17–Pr.06-22	0
14-73	Fault record 10	Refer to fault record Pr.06-17–Pr.06-22	0
✓ 14-74	Over-torque detection selection (motor 3)	0: No function 1: Continue operation after over-torque detection during constant speed operation 2: Stop after over-torque detection during constant speed operation 3: Continue operation after over-torque detection during RUN 4: Stop after over-torque detection during RUN	0
✓ 14-75	Over-torque detection level (motor 3)	10–250% (100% corresponds to the rated current of the drive)	120
✓ 14-76	Over-torque detection time (motor 3)	0.1–60.0 sec.	0.1
✓ 14-77	Over-torque detection selection (motor 4)	0: No function 1: Continue operation after over-torque detection during constant speed operation 2: Stop after over-torque detection during constant speed operation 3: Continue operation after over-torque detection during RUN 4: Stop after over-torque detection during RUN	0
✓ 14-78	Over-torque detection level (motor 4)	10–250% (100% corresponds the rated current of the drive)	120
✓ 14-79	Over-torque detection time (motor 4)	0.1–60.0 sec.	0.1
✓ 14-80	Electronic thermal relay selection 3 (motor 3)	0: Inverter motor (with external forced cooling) 1: Standard motor (motor with the fan on the shaft) 2: Disable	2
✓ 14-81	Electronic thermal relay action time 3 (motor 3)	30.0–600.0 sec.	60.0
✓ 14-82	Electronic thermal relay selection 4 (motor 4)	0: Inverter motor (with external forced cooling) 1: Standard motor (motor with the fan on the shaft) 2: Disable	2
✓ 14-83	Electronic thermal relay action time 4 (motor 4)	30.0–600.0 sec.	60.0

Chapter 12 Descriptions of Parameter Settings

12-1 Descriptions of Parameter Settings

00 Drive Parameters

✎ You can set this parameter during operation.

00-00 AC Motor Drive Identity Code

Default: ##

Settings Read only

00-01 AC Motor Drive Rated Current Display

Default: ##

Settings Read only

📖 Pr.00-00 displays the AC motor drive identity code. Use the following specification table to check if Pr.00-01 setting is the rated current of the AC motor drive. Pr.00-01 corresponds to the identity code of Pr.00-00.

📖 The default is the rated current for heavy duty. Set Pr.00-16=0 to display the rated current for normal duty.

Series	115V Series: One-phase			230V Series: One-phase				
	A	B	C	A/B		B	C	
Power (kW)	0.2	0.4	0.75	0.2	0.4	0.75	1.5	2.2
Power (HP)	0.25	0.5	1	0.25	0.5	1	2	3
Identity Code	102	103	104	302	303	304	305	306
Rated Current for Heavy Duty	1.6	2.5	4.8	1.6	2.8	4.8	7.5	11
Rated Current for Normal Duty	1.8	2.7	5.5	1.8	3.2	5	8.5	12.5

Series	230V Series: Three-phase									
	A			B	C		D	E		F
Power (kW)	0.2	0.4	0.75	1.5	2.2	3.7	5.5	7.5	11	15
Power (HP)	0.25	0.5	1	2	3	5	7.5	10	15	20
Identity Code	202	203	204	205	206	207	208	209	210	211
Rated Current for Heavy Duty	1.6	2.8	4.8	7.5	11	17	25	33	49	65
Rated Current for Normal Duty	1.8	3.2	5	8	12.5	19.5	27	36	51	69








Series	460V Series: Three-phase										
	A/B		B	C		D		E		F	
Power (kW)	0.4	0.75	1.5	2.2	3.7	5.5	7.5	11	15	18.5	22
Power (HP)	0.5	1	2	3	5	7.5	10	15	20	25	30
Identity Code	403	404	405	406	407	408	409	410	411	412	413
Rated Current for Heavy Duty	1.5	2.7	4.2	5.5	9	13	17	25	32	38	45
Rated Current for Normal Duty	1.8	3	4.6	6.5	10.5	15.7	20.5	28	36	41.5	49

Series	575V Series: Three-phase					
	Frame	A	B	C		D
Power (kW)	0.75	1.5	2.2	3.7	5.5	7.5
Power (HP)	1	2	3	5	7.5	10
Identity Code	504	505	506	507	508	509
Rated Current for Heavy Duty	1.7	3	4.2	6.6	9.9	12.2
Rated Current for Normal Duty	2.1	3.6	5	8	11.5	15

00-02 Parameter Reset

Default: 0


- Settings
- 0: No Function
 - 1: Write protection for parameters
 - 5: Return kWh displays to 0
 - 6: Reset PLC (including CANopen Master index)
 - 7: Reset CANopen Slave index
 - 8: Keypad does not respond
 - 9: Reset all parameters to defaults (base frequency is 50 Hz)
 - 10: Reset all parameters to defaults (base frequency is 60 Hz)
 - 11: Reset all parameters to defaults with base frequency at 50 Hz
(keep the user-defined parameter values Pr.13-01–Pr.13-50)
 - 12: Reset all parameters to defaults with base frequency at 60 Hz
(keep the user-defined parameter values Pr.13-01–Pr.13-50)


-  1: All parameters are read only except Pr.00-02, Pr.00-07, and Pr.00-08. Set Pr.00-02 to 0 before changing other parameter settings.
-  5: You can return the kWh displayed value to 0 even during drive operation. For example, you can set Pr.05-26–Pr.05-30 to 0.
-  6: Clear the internal PLC program (includes the related settings of PLC internal CANopen master).
-  7: Reset the related settings of CANopen slave.
-  8: RUN key on the keypad is invalid; the rest of the keys work normally.
-  9 or 10: Reset all parameters to defaults. If you have set a password (Pr.00-08), unlock the password (Pr.00-07) to clear the password you have set before you reset all parameters.
-  For settings of 6, 7, 9, 10, 11 and 12, you must reboot the motor drive after you finish the setting.

00-03 Start-up Display

Default: 0

- Settings
- 0: F (frequency command)
 - 1: H (output frequency)
 - 2: U (user-defined) see Pr.00-04
 - 3: A (output current)

-  Determines the start-up display page after power is applied to the drive. The user-defined contents display according to the Pr.00-04 settings.

 **00-04** Content of Multi-function Display (User-Defined)

Default: 3

- Settings
- 0: Display output current (A) (Unit: Amp)
 - 1: Display counter value (c) (Unit: CNT)
 - 2: Display the drive's actual output frequency (H.) (Unit: Hz)
 - 3: Display the drive's DC bus voltage (v) (Unit: V_{DC})
 - 4: Display the drive's output voltage (E) (Unit: V_{AC})
 - 5: Display the drive's output power angle (n) (Unit: deg)
 - 6: Display the drive's output power (P) (Unit: kW)
 - 7: Display the motor speed (r) (Unit: rpm)
 - 8: Display the drive's estimated output torque, motor's rated torque is 100% (t) (Unit: %)
 - 10: Display PID feedback (b) (Unit: %)
 - 11: Display AVI analog input terminal signal (1.) (Unit: %)
 - 12: Display ACI analog input terminal signal (2.) (Unit: %)
 - 14: Display the drive's IGBT temperature (i.) (Unit: °C)
 - 16: The digital input status (ON / OFF) (i)
 - 17: The digital output status (ON / OFF) (o)
 - 18: Display multi-step speed (S)
 - 19: The corresponding CPU digital input pin status (d)
 - 20: The corresponding CPU digital output pin status (0.)
 - 22: Pulse input frequency (S.)
 - 25: Overload count (0.00–100.00%) (o.) (Unit: %)
 - 26: Ground Fault GFF (G.) (Unit: %)
 - 27: DC bus voltage ripple (r.) (Unit: V_{DC})
 - 28: Display PLC register D1043 data (C)
 - 30: Display the output of User-defined (U)
 - 31: Display Pr.00-05 user gain (K)
 - 35: Control mode display:
 - 0= Speed control mode (SPD)
 - 1 = Torque control mode (TQR) (t.)
 - 36: Present operating carrier frequency of the drive (J.) (Unit: Hz)
 - 38: Display the drive status (6.) (Refer to Explanation 6 below)
 - 39: Display the drive's estimated output torque, positive and negative, using Nt-m as unit (t 0.0: positive torque; -0.0: negative torque) (C.)
 - 40: Torque command (L.) (Unit: %)
 - 41: kWh display (J) (Unit: kWh)
 - 42: PID target value (h.) (Unit: %)
 - 43: PID compensation (o.) (Unit: %)
 - 44: PID output frequency (b.) (Unit: Hz)
 - 46: Auxiliary frequency value (U.) (Unit: Hz)

- 47: Master frequency value (A.) (Unit: Hz)
- 48: Frequency value after addition and subtraction of master and auxiliary frequency (L.) (Unit: Hz)
- 51: PMSVC torque offset
- 58: Pr.00-05 User gain display (K) (Does not display decimal places.)
- 62: I2t (o.) (Unit: %)
- 63: Error code (E.)
- 64: Warning code (n.)
- 65: Accumulated motor operation record (day) (r.) (Refer to Pr.05-32)

Explanation 1

- It can also display negative values when setting analog input bias (Pr.03-03–03-10).
Example: Assume that AVI input voltage is 0 V, Pr.03-03 is 10.0%, Pr.03-07 is 4 (Bias serves as the center).

Explanation 2

Example: If MI1 and MI6 are ON, the following table shows the status of the terminals.

Normally opened contact (N.O.): (0: OFF, 1: ON)

Terminal	MI7	MI6	MI5	MI4	MI3	MI2	MI1
Status	0	1	0	0	0	0	1

- The value is 0000 0000 0010 0001 in binary and 0021H in HEX. When Pr.00-04 is set to 16 or 19, the u page on the keypad displays 0021h.
- The setting 16 is the ON / OFF status of digital input according to Pr.02-12 setting and the setting 19 is the corresponding CPU pin ON / OFF status of the digital input.
- When MI1 / MI2 default setting is two-wire / three-wire operation control (Pr.02-00 ≠ 0), and MI3 is set to three-wire, it is not affected by Pr.02-12.
- You can set 16 to monitor the digital input ON / OFF status, and then set 19 to check if the circuit is normal.

Explanation 3

Example: Assume that RY: Pr.02-13 is set to 9 (Drive is ready). After the drive is powered on, if there is no other abnormal status, the contact is ON. The display status is shown below.

Normally opened contact (N.O.):

Terminal	MO2	MO1	RY1
Status	0	0	1

- If Pr.00-04 is set to 17 or 20, it displays in hexadecimal “0001h” with LED u page is ON in the keypad.
- The setting 17 is the ON / OFF status of digital output according to Pr.02-18 setting and the setting 20 is the corresponding CPU pin ON / OFF status of the digital output.
- You can set 17 to monitor the digital output ON / OFF status, and then set 20 to check if the circuit is normal.

Explanation 4

- Setting value 8: 100% means the motor rated torque.
Motor rated torque = (motor rated power x 60 / 2π) / motor rated speed

Explanation 5

- Setting value 25: when displayed value reaches 100.00%, the drive shows “oL” as an overload warning.

Explanation 6

- Setting value 38:
 - bit 0: The drive is running forward.
 - bit 1: The drive is running backward.
 - bit 2: The drive is ready.
 - bit 3: Errors occurred on the drive.
 - bit 4: The drive is running.
 - bit 5: Warnings occurred on the drive.

00-05 Coefficient Gain in Actual Output Frequency

Default: 1.00

Settings 0.00–160.00

- 📖 Sets the user-defined unit coefficient gain. Set Pr.00-04 = 31 to display the calculation result on the screen (calculation = output frequency * Pr.00-05).

00-06 Firmware Version

Default: Read only

Settings Read only

00-07 Parameter Protection Password Input

Default: 0

Settings 0–65535

Display 0–4 (the number of password attempts)

- 📖 This parameter allows you to enter your password (which is set in Pr.00-08) to unlock the parameter protection and to make changes to the parameter.
- 📖 To avoid problems in the future, be sure to write down the password after you set this parameter.
- 📖 Pr.00-07 and Pr.00-08 are used to prevent personnel from setting other parameters by accident.
- 📖 If you forget the password, clear the password setting by entering 9999 and pressing the ENTER key, then enter 9999 again and press ENTER within 10 seconds. After decoding, all the settings return to default.
- 📖 When setting is under password protection, all the parameters read 0, except Pr.00-08.

00-08 Parameter Protection Password Setting

Default: 0

Settings 0–65535

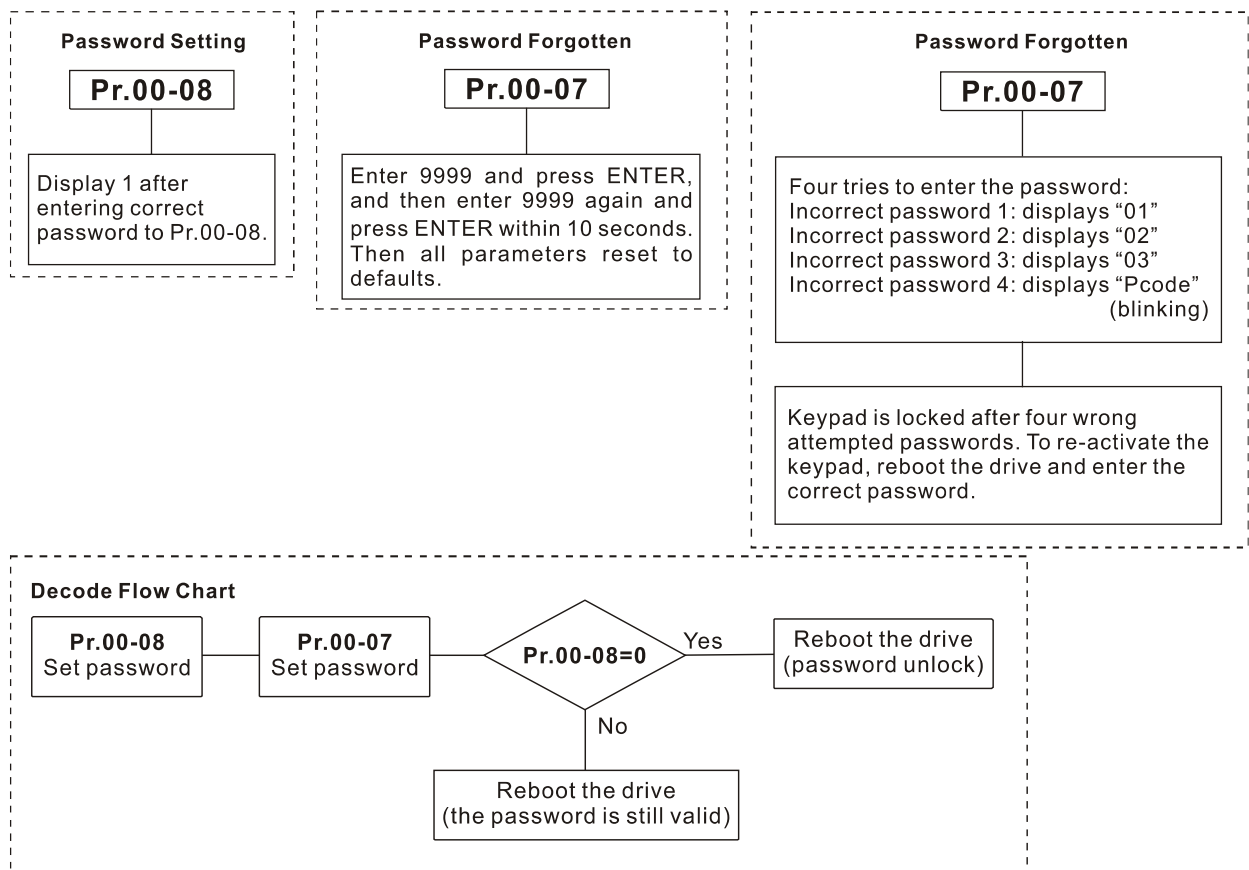
0: No password protection or password is entered correctly (Pr.00-07)

1: Password has been set

- 📖 This parameter is for setting the password protection. Password can be set directly the first time. After you set the password, the value of Pr.00-08 is 1, which means password protection is activated. At this time, if you want to change any of the parameter settings, you must enter the

correct password in Pr.00-07 to deactivate the password temporarily, and this would make Pr.00-08 become 0. After you finish setting the parameters, reboot the motor drive and the password is activated again.

- 📖 Entering the correct password in Pr.00-07 only temporarily deactivates the password. To permanently deactivate password protection, set Pr.00-08 to 0 manually. Otherwise, password protection is always reactivated after you reboot the motor drive.
- 📖 The keypad copy function works only when the password protection is deactivated (temporarily or permanently), and the password set in Pr.00-08 cannot be copied to the keypad. So when copying parameters from the keypad to the motor drive, set the password manually again in the motor drive to activate password protection.



00-10 Control Mode

Default: 0

- Settings 0: Speed Control mode
 2: Torque mode

📖 Determines the control mode of the AC motor drive.

00-11 Speed Control Mode

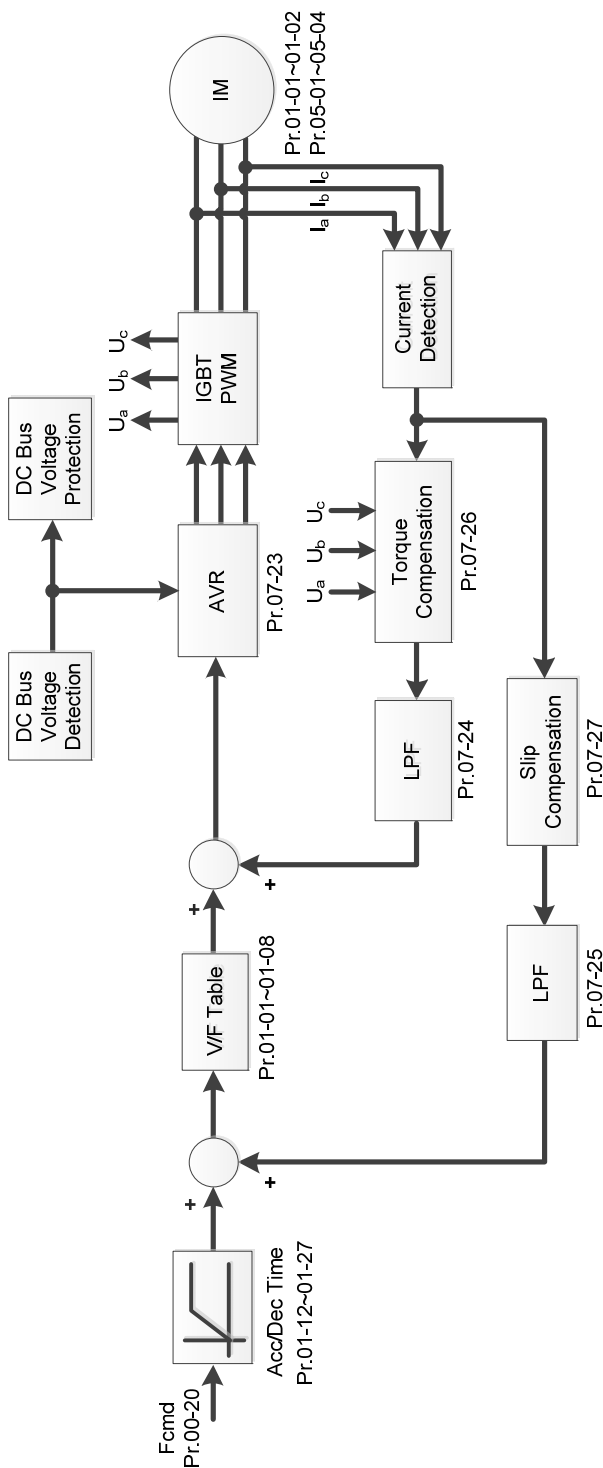
Default: 0

- Settings 0: IMVF (IM V/F control)
 1: IMVFPG (IM V/F control + encoder)
 2: IM/PM SVC (IM / PM Space Vector Control)
 5: IMFOC Sensorless (IM Field-Oriented sensorless vector Control)

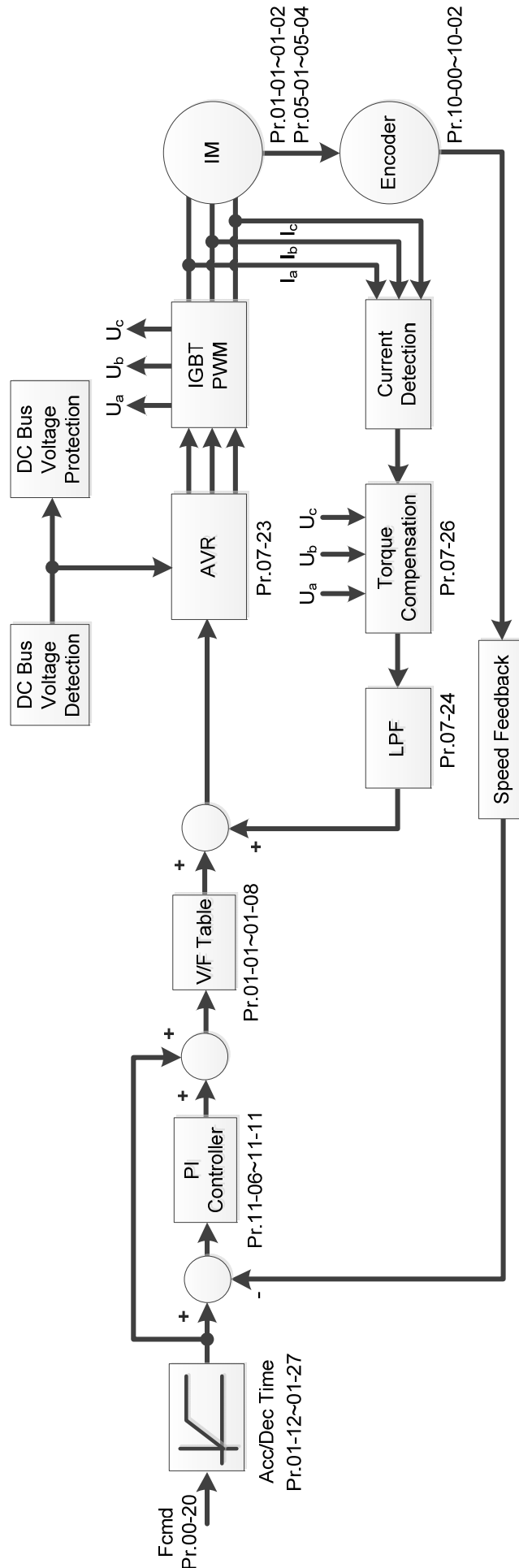
📖 Determines the control mode of the AC motor drive:

- 0: IM V/F control: you can set the proportion of V/F as required and control multiple motors simultaneously.
- 1: IM V/F control + Encoder pulse input: you can use the encoder for closed-loop speed control.
- 2: IM/PM space vector control: gets the optimal control by auto-tuning the motor parameters.
- 5: IM FOC sensorless: IM field-oriented sensorless vector control.

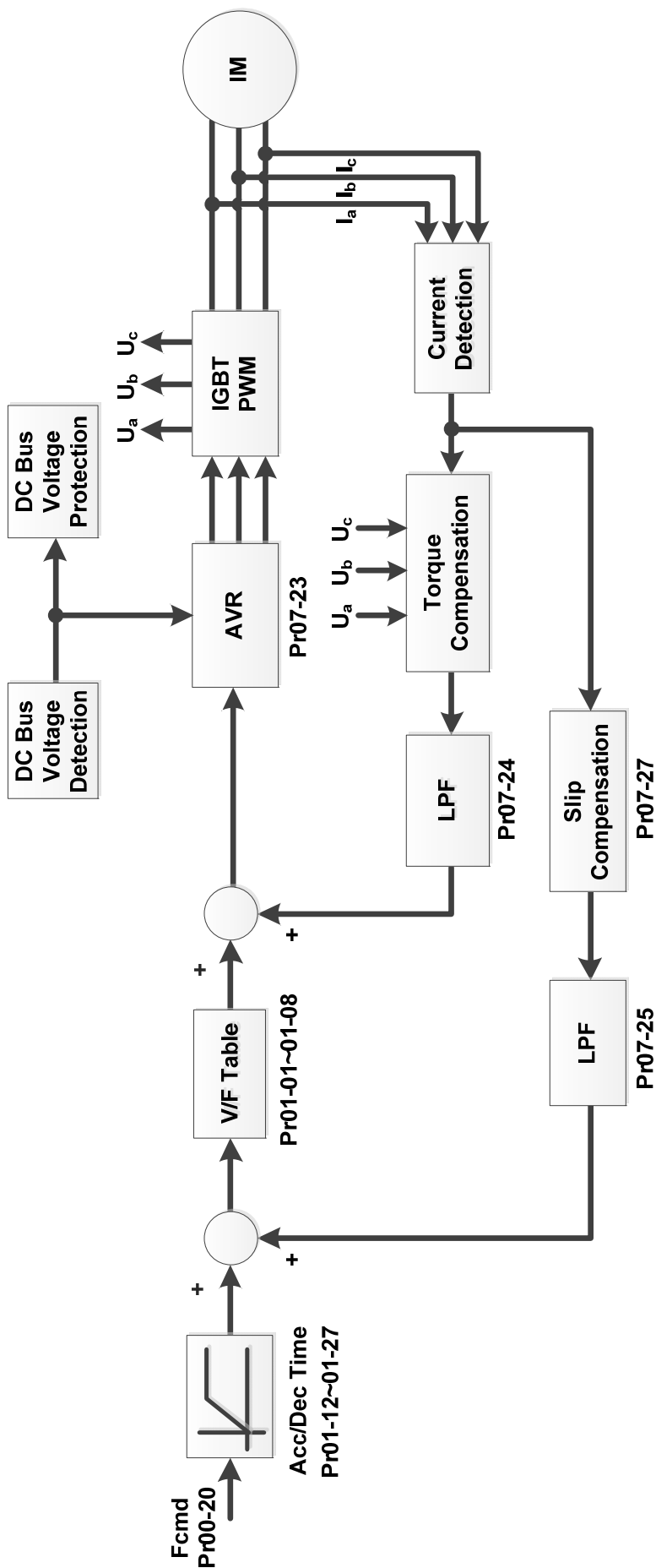
- 📖 If you use MI7 single-phase pulse input as speed feedback, apply it for VFBG closed-loop control.
- 📖 If you use 1: IMVFBG control mode along with MI7 as speed feedback, you also need to set Pr.10-00=5 and Pr.10-02=5.
- 📖 When Pr.00-10 = 0 and you set Pr.00-11 to 0, the V/F control diagram is as follows:



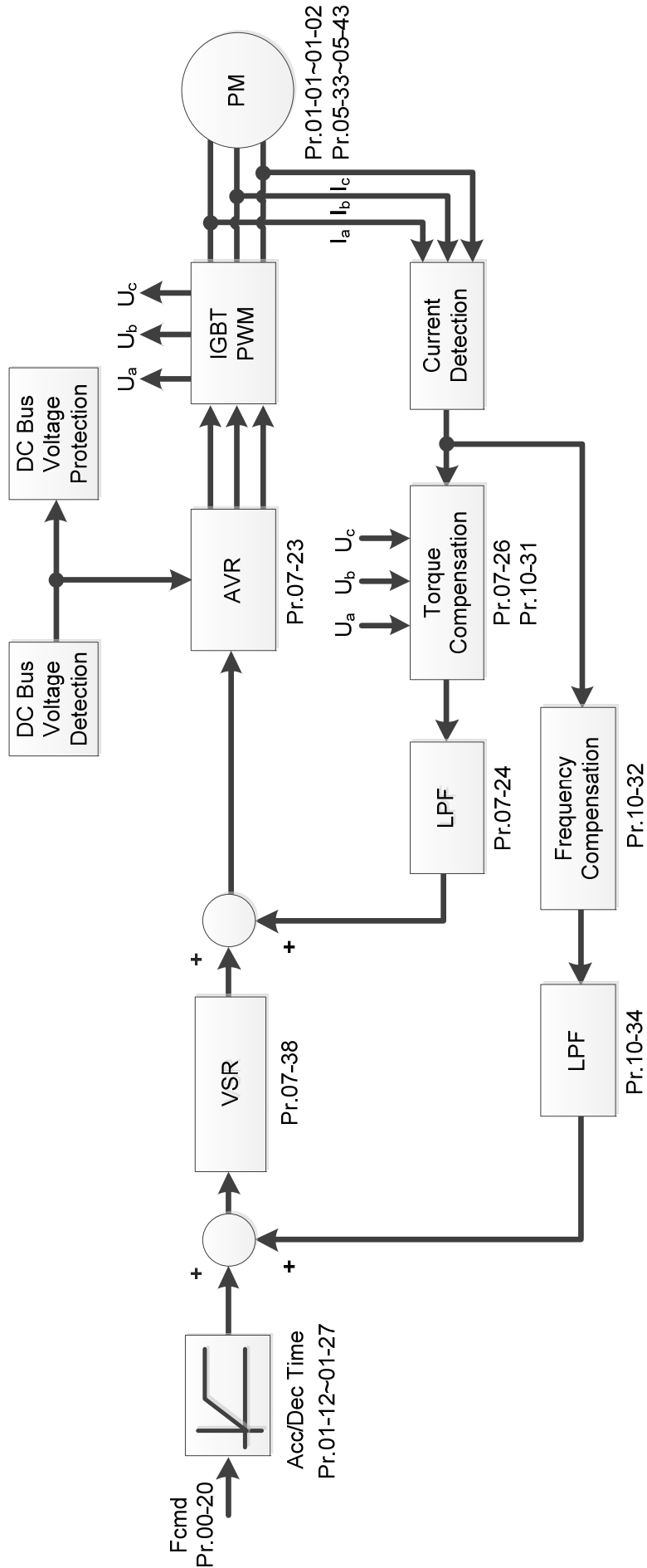
When Pr.00-10 = 0 and you set Pr.00-11 to 1, the V/F control + encoder diagram is as follows:



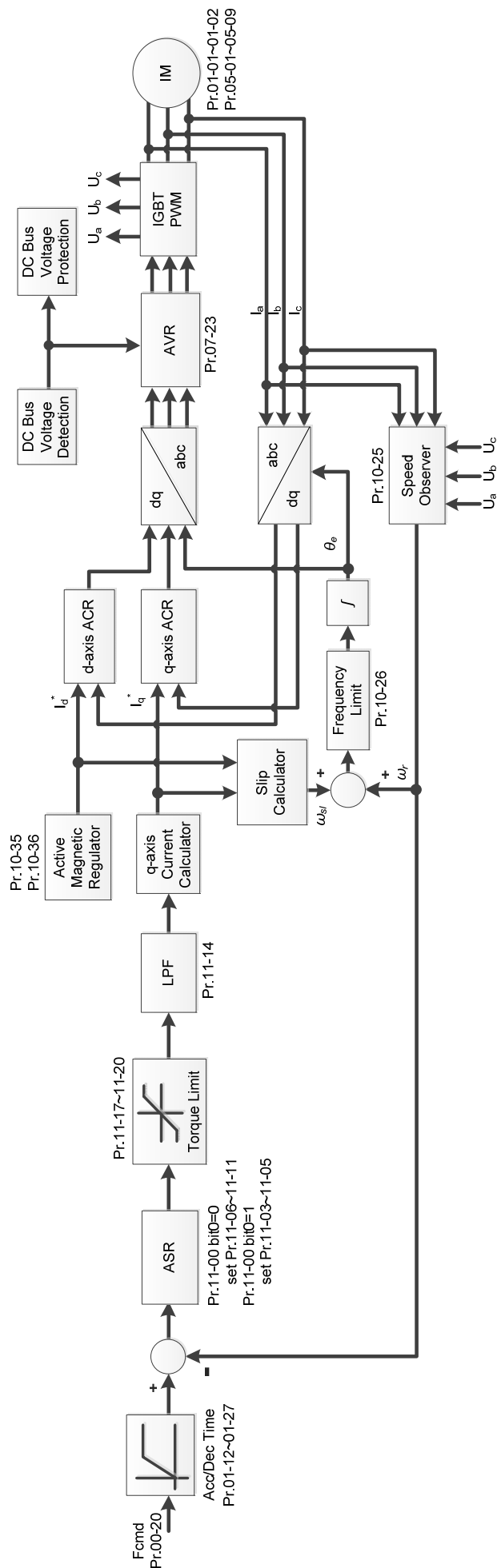
When Pr.00-10 = 0 and you set Pr.00-11 to 2, the sensorless vector control diagram is as follows:
 IM Space Vector Control (IMSVC):



PM Space Vector Control (PMSVC):



When Pr.00-10=0 and you set Pr. 00-11 to 5, IMFOC Sensorless control diagram is as follows:



00-16 Load Selection

Default: 1

Settings 0: Normal load
1: Heavy load

- 📖 Normal duty: overload rated output current 150% in 3 seconds. (120%, 1 minute). Refer to Pr.00-17 for the setting for the carrier frequency. Refer to Chapter 9 Specifications or Pr.00-01 for the rated current.
- 📖 Heavy duty: overload rated output current 200% in 3 seconds. (150%, 1 minute) Refer to Pr.00-17 for the setting for the carrier frequency. Refer to Chapter 9 Specifications or Pr. 00-01 for the rated current.
- 📖 Pr.00-01 varies with the setting value of Pr.00-16. The default value and maximum of Pr.06-03 and Pr.06-04 also vary with the setting value of Pr.00-16.
- 📖 In normal duty, the default setting of Pr.06-03 and Pr.06-04 is 120%, and the maximum is 150%.
- 📖 In heavy duty, the default setting of Pr.06-03 and Pr.06-04 is 180%, and the maximum is 200%.

00-17 Carrier Frequency

Default: 4 / 4

Settings Normal load: 2–15 kHz
Heavy load: 2–15 kHz

Note:

When Pr.00-11=5 (IMFOC Sensorless), the maximum setting value for the carrier frequency is 10 kHz.

- 📖 Determines the PWM carrier frequency for the AC motor drive.

Series	230V		460V		575V
Models	1–15 HP [0.75–11 kW]	20–30 HP [15–37 kW]	1–20 HP [0.75–15 kW]	25–40 HP [18.5–55 kW]	1–10 HP [0.75–7.5 kW]
Settings Range	02–15 kHz	02–10 kHz	02–15 kHz	02–10 kHz	02–15 kHz
Normal Duty Default	4 kHz				
Heavy Duty Default	4 kHz				

Carrier Frequency	Acoustic Noise	Electromagnetic Noise or Leakage Current	Heat Dissipation	Current Wave
2 kHz	Significant ↑ ↓ Minimal	Minimal ↑ ↓ Significant	Minimal ↑ ↓ Significant	
8 kHz				
15 kHz				

- 📖 From the table, you see that the PWM carrier frequency has significant influences on the electromagnetic noise, the AC motor drive heat dissipation, and the motor acoustic noise. Therefore, if the surrounding noise is greater than the motor noise, lower the carrier frequency to reduce the temperature rise. Although the motor has quiet operation in the higher carrier frequency, consider the entire wiring and interference.
- 📖 When the carrier frequency is higher than the default, decrease the carrier frequency to protect the drive. Refer to Pr.06-55 for the related setting and details.

00-19 PLC Command Mask

Default: Read only


- Settings
- bit 0: Control command is forced by PLC control
 - bit 1: Frequency command is forced by PLC control
 - bit 3: Torque command is forced by PLC control


 Determines if the frequency command, control command or torque command is locked by PLC.


00-20 Master Frequency Command Source (AUTO, REMOTE)

Default: 0

- Settings
- 0: Digital keypad
 - 1: RS-485 communication input
 - 2: External analog input (Refer to Pr.03-00)
 - 3: External UP / DOWN terminal (multi-function input terminals)
 - 4: Pulse input without direction command
(Refer to Pr.10-16 without considering direction)
 - 6: CANopen communication card
 - 7: Digital keypad potentiometer knob
 - 8: Communication card (does not include CANopen card)
 - 9: PID controller
- Note:
- HOA (Hand-Off-Auto) function is valid only when you use with MO function setting 42 and 56 or with KPC-CC01 (optional).

 Determines the master frequency source in the “AUTO, REMOTE” mode. The default is AUTO mode.

 You can switch the AUTO, REMOTE mode with the keypad KPC-CC01 (optional) or the multi-function input terminal (MI) to set the master frequency source.

 It returns to AUTO or REMOTE mode whenever you cycle the power. If you use a multi-function input terminal to switch between HAND (LOCAL) and AUTO (REMOTE) mode, the highest priority is the multi-function input terminal.

 The pulse of Pr.00-20=4 (Pulse input without direction command) is input by PG or MI7.


00-21 Operation Command Source (AUTO, REMOTE)

Default: 0

- Settings
- 0: Digital keypad
 - 1: External terminals
 - 2: RS-485 communication input
 - 3: CANopen communication card
 - 5: Communication card (does not include CANopen card)

Note:

HOA (Hand-Off-Auto) function is valid only when you use with MO function setting 42 and 56 or with KPC-CC01 (optional).

 Determines the operation frequency source in the “AUTO, REMOTE” mode.

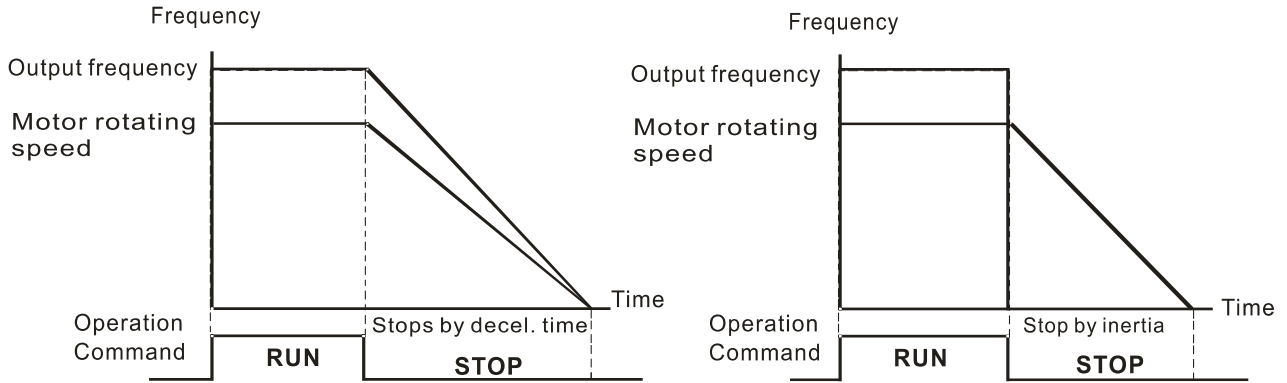
In the HOA mode, if the multi-function input terminal (MI) function setting 41 and 42 are OFF, the drive does not receive any operation command and JOG is invalid.

00-22 Stop Method

Default: 0

- Settings 0: Ramp to stop
1: Coast to stop

Determines how the motor is stopped when the drive receives the Stop command.



Ramp to Stop and Coast to Stop

1. **Ramp to stop:** According to the set deceleration time, the AC motor drive decelerates to 0 Hz or the minimum output frequency (Pr.01-07), and then stop.
2. **Coast to stop:** According to the load inertia, the AC motor drive stops output immediately, and the motor coasts to stop.
 - Use “ramp to stop” for the safety of personnel or to prevent material from being wasted in applications where the motor must stop immediately after the drive stops. You must set the deceleration time accordingly.
 - If idling is allowed or the load inertia is large, use “coast to stop”. For example, blowers, punching machines and pumps.

00-23 Motor Direction Control

Default: 0

- Settings 0: Enable forward / reverse
1: Disable reverse
2: Disable forward

Enables the motor to run in the forward and reverse direction. You can use it to prevent a motor from running in a direction that would cause injury or damage to the equipment, especially when only one running direction is allowed for the motor load.

00-24 Digital Operator (Keypad) Frequency Command Memory

Default: Read only

- Settings Read only


If the keypad is the frequency command source, when Lv or fault occurs, this parameter stores the current frequency command.

00-25 User-Defined Characteristics


Default: 0

- Settings bit 0–3: user-defined decimal places
- 0000h-0000b: no decimal place
 - 0001h-0001b: one decimal place
 - 0002h-0010b: two decimal places
 - 0003h-0011b: three decimal places
- bit 4–15 : user-defined unit
- 000xh: Hz
 - 001xh: rpm
 - 002xh: %
 - 003xh: kg
 - 004xh: m/s
 - 005xh: kW
 - 006xh: HP
 - 007xh: ppm
 - 008xh: 1/m
 - 009xh: kg/s
 - 00A xh: kg/m
 - 00B xh: kg/h
 - 00C xh: lb/s
 - 00D xh: lb/m
 - 00E xh: lb/h
 - 00F xh: ft/s
 - 010 xh: ft/m
 - 011 xh: m
 - 012 xh: ft
 - 013 xh: degC
 - 014 xh: degF
 - 015 xh: mbar
 - 016 xh: bar
 - 017 xh: Pa
 - 018 xh: kPa
 - 019 xh: mWG
 - 01A xh: inWG
 - 01B xh: ftWG
 - 01C xh: psi
 - 01D xh: atm
 - 01E xh: L/s
 - 01F xh: L/m
 - 020 xh: L/h

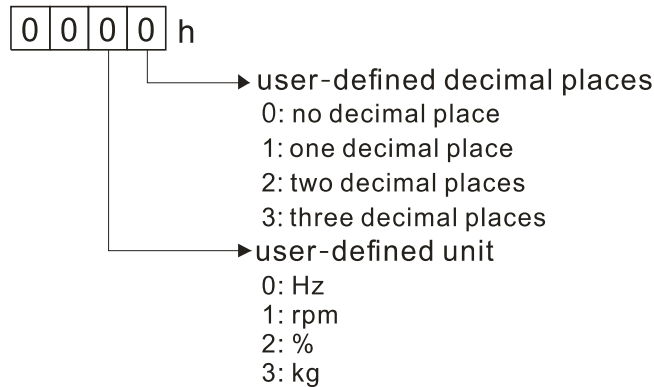
- 021xh: m3/s
- 022xh: m3/h
- 023xh: GPM
- 024xh: CFM
- xxxxh: Hz


 bit 0–3:

The displayed units for the control frequency F page and user-defined (Pr.00-04 = d10, PID feedback), and the displayed number of decimal places for Pr.00-26 (support up to three decimal places).

 bit 4–15:

The displayed units for the control frequency F page, user-defined (Pr.00-04 = d10, PID feedback) and Pr.00-26.




 You must convert the setting value to decimal when using the keypad to set parameters.

Example: Assume that the user-defined unit is inWG and user-defined decimal place is the third decimal point. According to the information above, the corresponding unit to inWG is 01Axh (x is the set decimal point), and the corresponding unit to the third decimal place is 0003h, then inWG and the third decimal point displayed in hexadecimal is 01A3h, that is 419 in decimal value. Thus, set Pr.00-25 = 419 to complete the setting.

00-26 Maximum User-Defined Value

Default: 0

- Settings 0: Disable
- 0–65535 (when Pr.00-25 is set to no decimal place)
 - 0.0–6553.5 (when Pr.00-25 is set to one decimal place)
 - 0.00–655.35 (when Pr.00-25 is set to two decimal places)
 - 0.000–65.535 (when Pr.00-25 is set to three decimal places)

 When Pr.00-26 is NOT set to 0, the user-defined value is enabled. After selecting the displayed unit and number of decimal places with Pr.00-25, the setting value of Pr.00-26 corresponds to Pr.01-00 (drive’s maximum operating frequency).



Example: When the frequency set in Pr.01-00 = 60.00 Hz, the maximum user-defined value for Pr.00-26 is 100.0%. This also means that Pr.00-25 is set at 33 (0021h) to select % as the unit.

Note: Set Pr.00-25 before using Pr.00-26. After you finish setting, when Pr.00-26 is not 0, the displayed unit on the keypad shows correctly according to Pr.00-25 settings.

00-27 User-Defined Value

Default: Read only

Settings Read only




-  Pr.00-27 displays the user-defined value when Pr.00-26 is not set to 0.
-  The user-defined value is valid only when Pr.00-20 (frequency source) is set to the digital keypad or to RS-485 communication.

00-29 LOCAL / REMOTE Selection

Default: 0

Settings 0: Standard HOA function

- 1: When switching between local and remote, the drive stops.
- 2: When switching between local and remote, the drive runs with REMOTE settings for frequency and operating status.
- 3: When switching between local and remote, the drive runs with LOCAL settings for frequency and operating status.
- 4: When switching between local and remote, the drive runs with LOCAL settings when switched to Local and runs with REMOTE settings when switched to Remote for frequency and operating status.

-  The default for Pr.00-29 is 0, that is, the standard HOA (Hand-Off-Auto) function. Set the AUTO and HAND frequency and operation source with Pr.00-20, 00-21 and Pr.00-30, 00-31. The external terminal function (MI) = 56 for LOC / REM mode selection is disabled when Pr.00-29=0.
-  If Pr.00-29 is not set to 0, the top right corner of digital keypad KPC-CC01 (optional) displays LOC or REM. Set the REMOTE and LOCAL frequency and operation source with Pr.00-20, 00-21 and Pr.00-30, 00-31. Set the multi-function input terminal (MI) = 56 to set the LOC / REM selection. The AUTO key on the KPC-CC01 (optional) is the REMOTE function; the HAND key is the LOCAL function.
-  If Pr.00-29 is not set to 0, the AUTO / HAND keys are disabled. In this case, the external terminal (MI) setting = 56 (local / remote selection) has the highest command priority.

 **00-30** Master Frequency Command Source (HAND, LOCAL)

Default: 0

Settings 0: Digital keypad

- 1: RS-485 communication input
- 2: External analog input (Refer to Pr.03-00)
- 3: External UP / DOWN terminal (multi-function input terminals)
- 4: Pulse input without direction command
(Refer to Pr.10-16 without considering direction)
- 6: CANopen communication card
- 7: Digital keypad potentiometer knob
- 8: Communication card (does not include CANopen card)
- 9: PID controller

Note:

HOA (Hand-Off-Auto) function is valid only when you use with MO function setting 41 and 56 or with KPC-CC01 (optional).

- 📖 Determines the master frequency source in the "HAND, LOCAL" mode.
- 📖 You can switch the HAND, LOCAL mode with the keypad KPC-CC01 (optional) or the multi-function input terminal (MI) to set the master frequency source.
- 📖 It returns to AUTO or REMOTE mode whenever you cycle the power. If you use a multi-function input terminal to switch between HAND (LOCAL) and AUTO (REMOTE) mode, the highest priority is the multi-function input terminal.
- 📖 The pulse of Pr.00-20=4 (Pulse input without direction command) is input by PG or MI7.

↗ **00-31** Operation Command Source (HAND, LOCAL) Default: 0

- Settings
- 0: Digital keypad
 - 1: External terminals
 - 2: RS-485 communication input
 - 3: CANopen communication card
 - 5: Communication card (does not include CANopen card)

Note:

HOA (Hand-Off-Auto) function is valid only when you use with MO function setting 41 and 56 or with KPC-CC01 (optional).

- 📖 Determines the operation frequency source in the "HAND, LOCAL" mode.
- 📖 In the HOA mode, if the multi-function input terminal (MI) function setting 41 and 42 are OFF, the drive does not receive any operation command and JOG is invalid.

↗ **00-32** Digital Keypad STOP Function Default: 0

- Settings
- 0: STOP key disabled
 - 1: STOP key enabled

- 📖 Valid when the operation command source is not the digital keypad (Pr.00-21≠ 0). When Pr.00-21=0, the STOP key on the digital keypad is not affected by this parameter.






00-35 Auxiliary Frequency Source Default: 0


- Settings
- 0: Master and auxiliary frequency function disabled
 - 1: Digital keypad
 - 2: RS-485 communication input
 - 3: Analog input
 - 4: External UP/DOWN key input (multi-function input terminals)
 - 5: Pulse input without direction command (Refer to Pr.10-16)
 - 6: CANopen communication card
 - 7: Digital keypad potentiometer knob
 - 8: Communication card

00-36 Master and Auxiliary Frequency Command Selection

Default: 0

Settings 0: Master + auxiliary frequency
 1: Master - auxiliary frequency
 2: Auxiliary - master frequency


-  Master and auxiliary frequency command sets the master frequency source according to Pr.00-20, and sets the auxiliary frequency source according to Pr.00-35. This parameter determines the addition and subtraction of the master and auxiliary frequency.
-  When Pr.00-36 = 0, 1, 2, the control command comes after adding or subtracting the master / auxiliary frequency and the acceleration and deceleration (including S-curve).
-  If the value is negative after adding or subtracting the master / auxiliary frequency, Pr.03-10 determines whether to change the running direction.
-  If you set the master frequency source (Pr.00-20 = 0) or the auxiliary frequency source (Pr.00-35 = 1) using the keypad, the F page of the keypad displays the setting frequency that you can use to set the master frequency or the auxiliary frequency. If the master frequency source or the auxiliary frequency source is NOT set by the keypad (Pr.00-20 ≠ 0 and Pr.00-35 ≠ 1), the F page of the keypad displays the value after adding or subtracting the master / auxiliary frequency.
-  When setting the master frequency source and auxiliary frequency source, Pr.00-35 cannot be set to the same value as Pr.00-20 or Pr.00-30.

 **00-48** Display Filter Time (Current)

Default: 0.100

Settings 0.001–65.535 sec.

-  Minimizes the current fluctuation displayed by the digital keypad.

 **00-49** Display Filter Time (Keypad)

Default: 0.100

Settings 0.001–65.535 sec.

-  Minimizes the value fluctuation displayed by the digital keypad.

00-50 Software Version (Date)

Default: Read only

Settings Read only

-  Displays the current drive software version by date.

[This page intentionally left blank]

01 Basic Parameters

✎ You can set this parameter during operation.

01-00	Maximum Operation Frequency
01-52	Maximum Operation Frequency of Motor 2
01-53	Maximum Operation Frequency of Motor 3
01-62	Maximum Operation Frequency of Motor 4

Default: 60.00 / 50.00

Settings 0.00–599.00 Hz

- 📖 Determines the AC motor drive's maximum operation frequency. All the AC motor drive frequency command sources (analog inputs 0–10 V, 4–20 mA, 0–20 mA, ± 10 V) are scaled to correspond to the output frequency range.

01-01	Output Frequency of Motor 1 (Base frequency / Motor's rated frequency)
01-35	Output Frequency of Motor 2 (Base frequency / Motor's rated frequency)
01-54	Output Frequency of Motor 3 (Base frequency / Motor's rated frequency)
01-63	Output Frequency of Motor 4 (Base frequency / Motor's rated frequency)

Default: 60.00 / 50.00

Settings 0.00–599.00 Hz

- 📖 Set this parameter according to the motor's rated frequency on the motor nameplate. If the motor's rated frequency is 60 Hz, set this parameter to 60. If the motor's rated frequency is 50 Hz, set this parameter to 50.

01-02	Output Voltage of Motor 1 (Base voltage / Motor's rated voltage)
01-36	Output Voltage of Motor 2 (Base voltage / Motor's rated voltage)
01-55	Output Voltage of Motor 3 (Base voltage / Motor's rated voltage)
01-64	Output Voltage of Motor 4 (Base voltage / Motor's rated voltage)

Default: 220.0 / 440.0 / 575.0

Settings 115V / 230V models: 0.0–255.0 V

460V models: 0.0–510.0 V

575V models: 0.0–637.0 V

- 📖 Set this parameter according to the rated voltage on the motor nameplate. If the motor's rated voltage is 220 V, set this parameter to 220.0. If the motor's rated voltage is 200 V, set this parameter to 200.0.
- 📖 There are many motor types in the market and the power system for each country is also different. The economical and convenient solution is to install an AC motor drive. Then there is no problem using the motor with different voltage and frequency inputs, and the motor drive can improve the original motor characteristics and useful life.

01-03	Mid-point Frequency 1 of Motor 1
--------------	----------------------------------

Default: 3.00

Settings 0.00–599.00 Hz

↗	01-04 Mid-point Voltage 1 of Motor 1	Default: 11.0 / 22.0 / 40.0
	Settings 115V / 230V models: 0.0–240.0 V 460V models: 0.0–480.0 V 575V models: 0.0–600.0 V	
	01-37 Mid-point Frequency 1 of Motor 2	Default: 3.00
	Settings 0.00–599.00 Hz	
↗	01-38 Mid-point Voltage 1 of Motor 2	Default: 11.0 / 22.0 / 40.0
	Settings 115V / 230V models: 0.0–240.0 V 460V models: 0.0–480.0 V 575V models: 0.0–600.0 V	
	01-56 Mid-point Frequency 1 of Motor 3	Default: 3.00
	Settings 0.00–599.00 Hz	
↗	01-57 Mid-point Voltage 1 of Motor 3	Default: 11.0 / 22.0 / 40.0
	Settings 115V / 230V models: 0.0–240.0 V 460V models: 0.0–480.0 V 575V models: 0.0–600.0 V	
	01-65 Mid-point Frequency 1 of Motor 4	Default: 3.00
	Settings 0.00–599.00 Hz	
↗	01-66 Mid-point Voltage 1 of Motor 4	Default: 11.0 / 22.0 / 40.0
	Settings 115V / 230V models: 0.0–240.0 V 460V models: 0.0–480.0 V 575V models: 0.0–600.0 V	
	01-05 Mid-point Frequency 2 of Motor 1	Default: 1.50
	Settings 0.00–599.00 Hz	
↗	01-06 Mid-point Voltage 2 of Motor 1	Default: 5.0 / 10.0 / 26.1
	Settings 115V / 230V models: 0.0–240.0 V 460V models: 0.0–480.0 V 575V models: 0.0–600.0 V	

01-39 Mid-point Frequency 2 of Motor 2

Default: 1.50

Settings 0.00–599.00 Hz

01-40 Mid-point Voltage 2 of Motor 2

Default: 5.0 / 10.0 / 26.1

Settings 115V / 230V models: 0.0–240.0 V
460V models: 0.0–480.0 V
575V models: 0.0–600.0 V**01-58** Mid-point Frequency 2 of Motor 3

Default: 1.50

Settings 0.00–599.00 Hz

01-59 Mid-point Voltage 2 of Motor 3

Default: 5.0 / 10.0 / 26.1

Settings 115V / 230V models: 0.0–240.0 V
460V models: 0.0–480.0 V
575V models: 0.0–600.0 V**01-67** Mid-point Frequency 2 of Motor 4

Default: 1.50

Settings 0.00–599.00 Hz

01-68 Mid-point Voltage 2 of Motor 4

Default: 5.0 / 10.0 / 26.1

Settings 115V / 230V models: 0.0–240.0 V
460V models: 0.0–480.0 V
575V models: 0.0–600.0 V**01-07** Minimum Output Frequency of Motor 1

Default: 0.50

Settings 0.00–599.00 Hz

01-08 Minimum Output Voltage of Motor 1

Default: 1.0 / 2.0 / 16.7

Settings 115V / 230V models: 0.0–240.0 V
460V models: 0.0–480.0 V
575V models: 0.0–600.0 V**01-41** Minimum Output Frequency of Motor 2

Default: 0.50

Settings 0.00–599.00 Hz

↗ **01-42** Minimum Output Voltage of Motor 2

Default: 1.0 / 2.0 / 16.7

Settings 115V / 230V models: 0.0–240.0 V
 460V models: 0.0–480.0 V
 575V models: 0.0–600.0 V

01-60 Minimum Output Frequency of Motor 3

Default: 0.50

Settings 0.00–599.00 Hz

↗ **01-61** Minimum Output Voltage of Motor 3

Default: 1.0 / 2.0 / 16.7

Settings 115V / 230V models: 0.0–240.0 V
 460V models: 0.0–480.0 V
 575V models: 0.0–600.0 V

01-69 Minimum Output Frequency of Motor 4

Default: 0.50

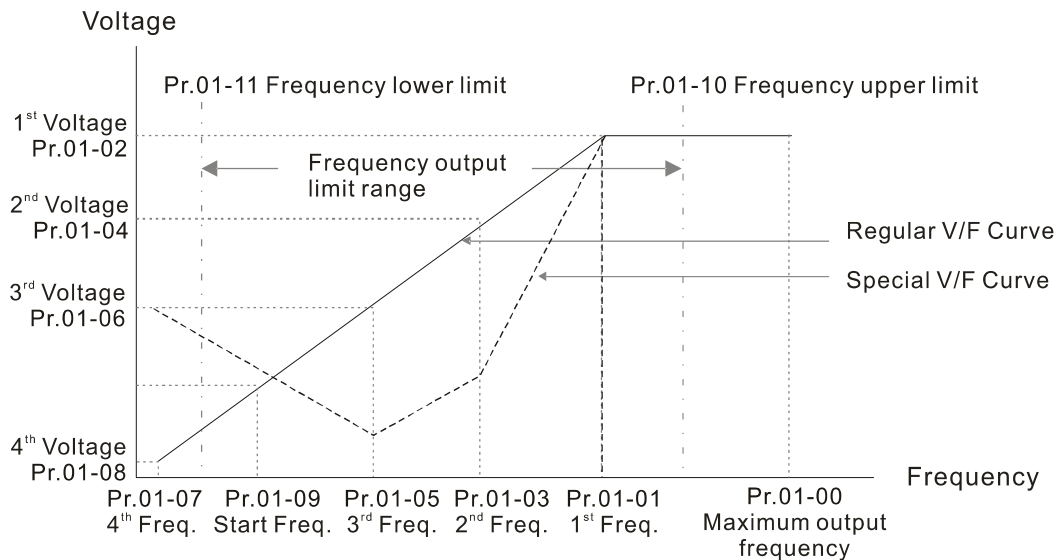
Settings 0.00–599.00 Hz

↗ **01-70** Minimum Output Voltage of Motor 4

Default: 1.0 / 2.0 / 16.7

Settings 115V / 230V models: 0.0–240.0 V
 460V models: 0.0–480.0 V
 575V models: 0.0–600.0 V

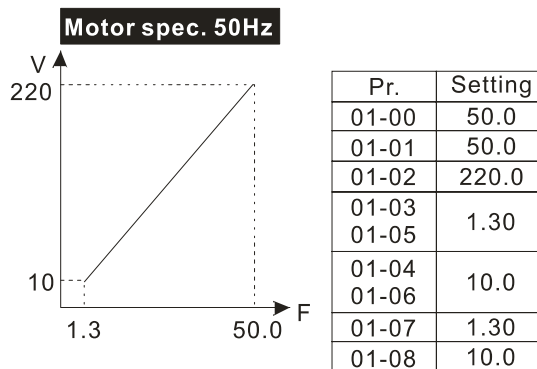
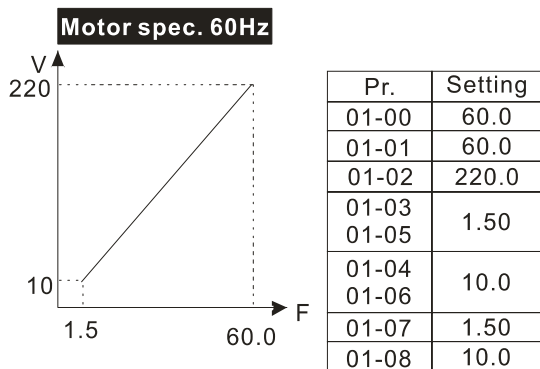
- 📖 You usually set the V/F curve according to the motor’s allowable loading characteristics. Pay special attention to the motor’s heat dissipation, dynamic balance, and bearing lubrication when the loading characteristics exceed the loading limit of the motor.
- 📖 There is no limit for the voltage setting, but a high voltage at a low frequency may cause motor damage, overheating, and trigger the stall prevention or the over-current protection; therefore, use low voltage at low frequency to prevent motor damage or drive error.
- 📖 The diagram below shows the V/F curve for motor 1. You can use the same V/F curve for motor 2, motor 3, and motor 4. For multi-motor selections, refer to the multi-function input terminal (Pr.02-01–Pr.02-07) settings 83 and 84.



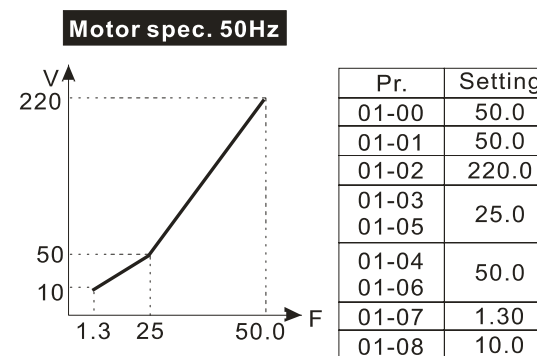
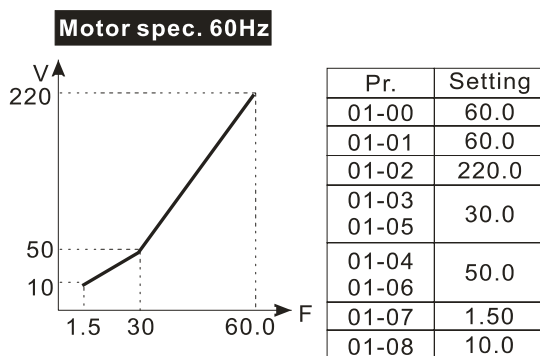
V/F Curve

Common settings for the V/F curve:

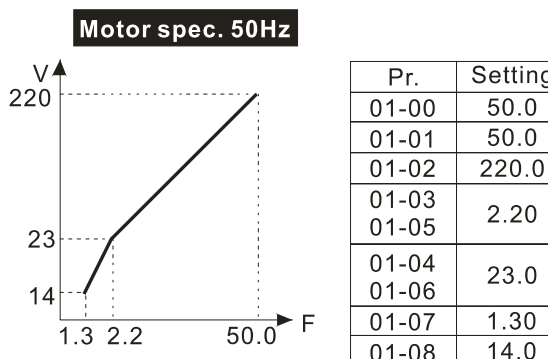
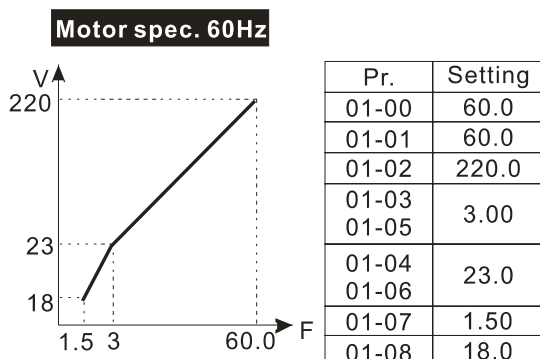
(1) General purpose



(2) For fan and hydraulic machinery



(3) High starting torque



01-09 Start-up Frequency

Default: 0.50

Settings 0.00–599.00 Hz

When the starting frequency (Pr.01-09) is larger than the minimum output frequency (Pr.01-11), the drive’s frequency output starts when the starting frequency (Pr.01-09) reaches the F command. Refer to the following diagram for details.

- Fcmd = frequency command;

Fstart = start-up frequency (Pr.01-09);

fstart = actual start-up frequency of the drive;

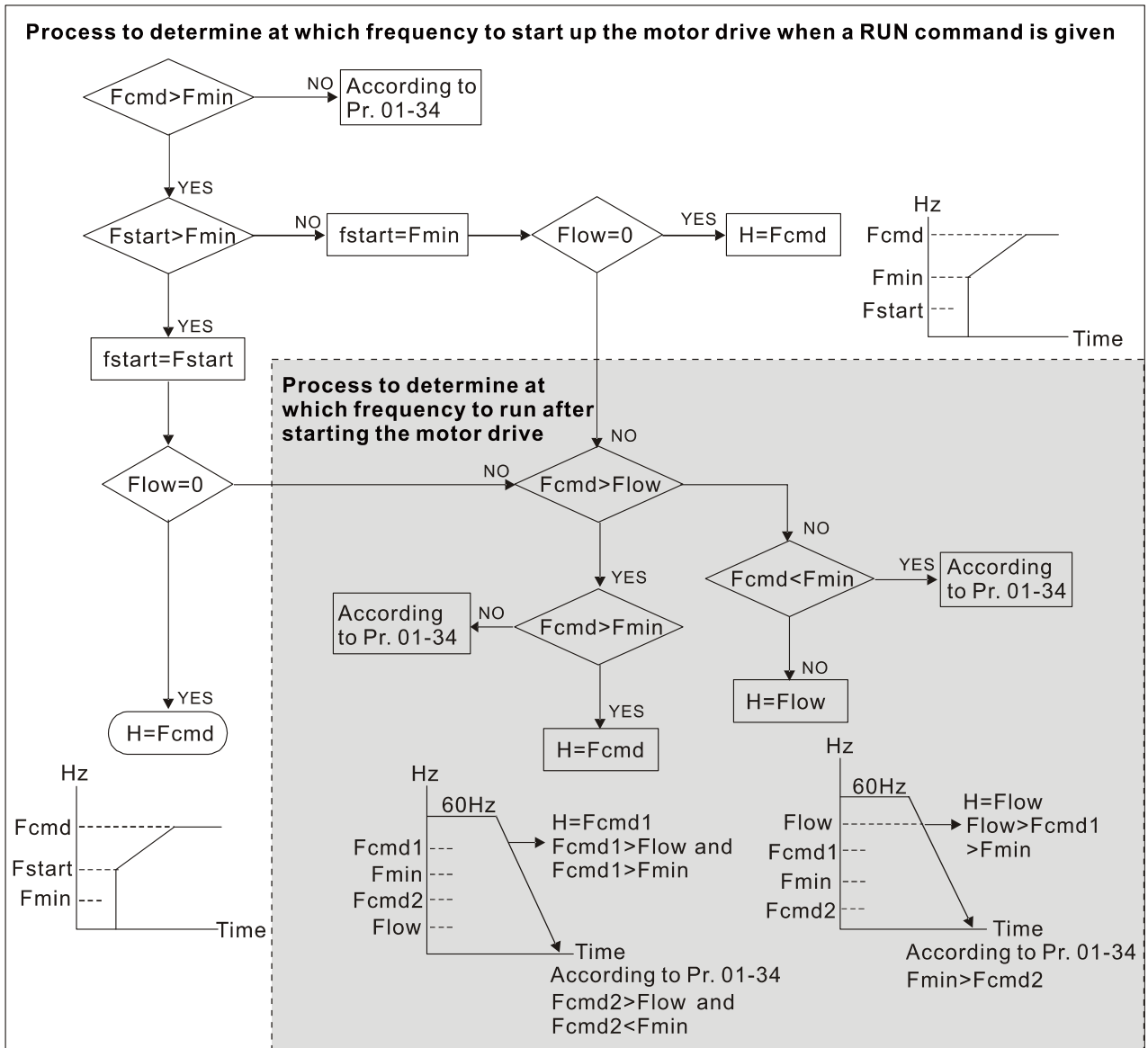
Fmin = 4th output frequency setting (Pr.01-07 / Pr.01-41);

Flow = output frequency lower limit (Pr.01-11)

- When $F_{cmd} > F_{min}$ and $F_{cmd} < F_{start}$:

If $Flow < F_{cmd}$, the drive runs directly with F_{cmd} .

If $Flow \geq F_{cmd}$, the drive runs with F_{cmd} , and then rises to $Flow$ according to acceleration time.
- The drive’s output frequency goes directly to 0 when decelerating to F_{min} .



01-10 Output Frequency Upper Limit

Default: 599.00

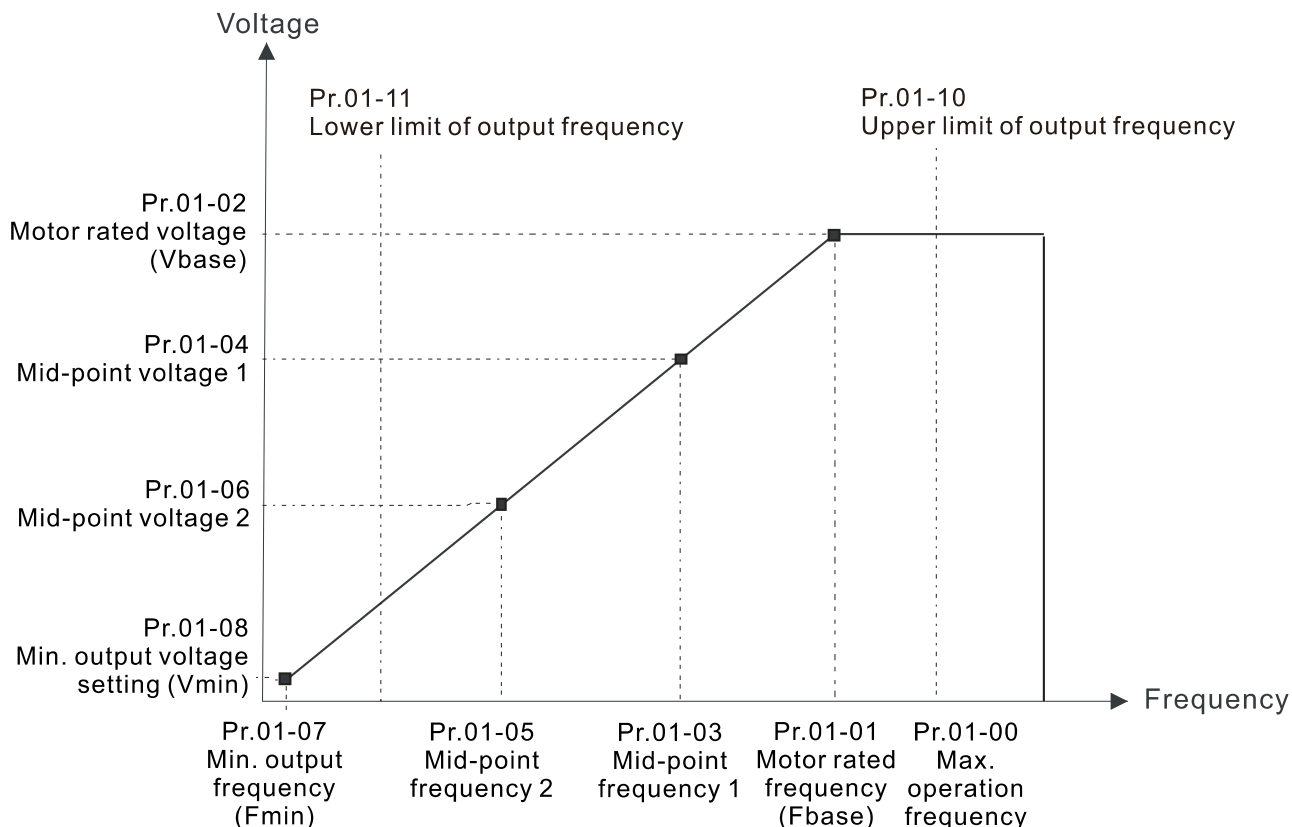
Settings 0.00–599.00 Hz

01-11 Output Frequency Lower Limit

Default: 0.00

Settings 0.00–599.00 Hz

- 📖 Use the upper and lower limit output frequency settings to limit the actual output frequency. If the output frequency setting is higher than the upper limit (Pr.01-10), the drive runs with the upper limit frequency. If the output frequency setting is lower than the lower limit (Pr.01-11) but higher than the minimum output frequency (Pr.01-07), the drive runs with the lower limit frequency. Set the upper limit frequency > the lower limit frequency (Pr.01-10 setting value must be > Pr.01-11 setting value).
- 📖 The upper output frequency limits the drive's maximum output frequency. If the frequency setting for the Frequency command is higher than Pr.01-10, the drive runs with the Pr.01-10 setting.
- 📖 If the PID feedback control is enabled for the drive, the drive's output frequency may exceed the Frequency command but is still limited by this setting.
- 📖 Related parameters: Pr.01-00 Maximum Operation Frequency, Pr.01-11 Output Frequency Lower Limit.



- 📖 The lower output frequency limits the drive's minimum output frequency. If the frequency setting for the Frequency command is lower than Pr.01-11, the drive runs with the Pr.01-11 setting.
- 📖 When the drive starts, it operates according to the V/F curve and accelerates from the minimum output frequency (Pr.01-07) to the setting frequency. It is not limited by the lower output frequency settings.

- 📖 Use the output frequency upper and lower limit settings to prevent operator misuse, overheating caused by the motor's operating at a too low frequency, or mechanical wear due to a too high speed.
- 📖 If the output frequency upper limit setting is 50 Hz and the frequency setting is 60 Hz, the maximum output frequency is 50 Hz.
- 📖 If the output frequency lower limit setting is 10 Hz and the minimum output frequency setting (Pr.01-07) is 1.5 Hz, then the drive operates at 10 Hz when the Frequency command is higher than Pr.01-07 but lower than 10 Hz. If the Frequency command is lower than Pr.01-07, the drive is in ready status without output.
- 📖 If the frequency output upper limit is 60 Hz and the frequency setting is also 60 Hz, only the Frequency command is limited at 60 Hz. The actual output frequency may be higher than 60 Hz if used for slip compensation.

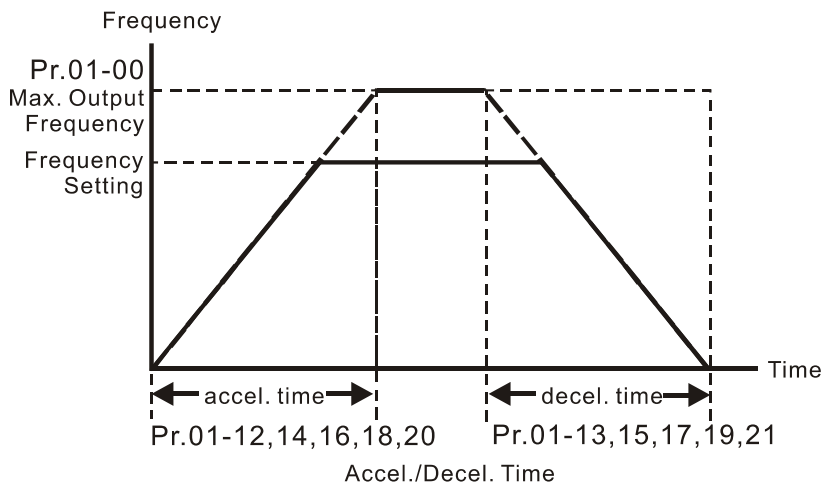
↗	01-12	Acceleration Time 1
↗	01-13	Deceleration Time 1
↗	01-14	Acceleration Time 2
↗	01-15	Deceleration Time 2
↗	01-16	Acceleration Time 3
↗	01-17	Deceleration Time 3
↗	01-18	Acceleration Time 4
↗	01-19	Deceleration Time 4
↗	01-20	JOG Acceleration Time
↗	01-21	JOG Deceleration Time

Default: 10.00 / 10.0

Settings Pr.01-45 = 0: 0.00–600.00 sec.
 Pr.01-45 = 1: 0.0–6000.0 sec.

- 📖 The acceleration time determines the time required for the AC motor drive to ramp from 0.00 Hz to the maximum operation frequency (Pr.01-00). The deceleration time determines the time required for the AC motor drive to decelerate from the maximum operation frequency (Pr.01-00) down to 0.00 Hz.
- 📖 The acceleration and deceleration time are invalid when using Pr.01-44 Auto-acceleration and Auto-deceleration Setting.
- 📖 Select the Acceleration/Deceleration Time 1, 2, 3, 4 with the multi-function input terminal settings. The defaults are Acceleration Time 1 and Deceleration Time 1.
- 📖 With the enabled torque limits and stall prevention functions, the actual acceleration and deceleration time are longer than the above action time.
- 📖 Note that setting the acceleration and deceleration time too short may trigger the drive's protection function (Pr.06-03 Over-current Stall Prevention during Acceleration or Pr.06-01 Over-voltage Stall Prevention), and the actual acceleration and deceleration time are longer than this setting.
- 📖 Note that setting the acceleration time too short may cause motor damage or trigger drive protection due to over-current during the drive's acceleration.

- 📖 Note that setting the deceleration time too short may cause motor damage or trigger drive protection due to over-current during the drive's deceleration or over-voltage.
- 📖 Use suitable brake resistors (refer to Chapter 07 Optional Accessories) to decelerate in a short time and prevent over-voltage.
- 📖 When you enable Pr.01-24–Pr.01-27 (S-curve acceleration and deceleration begin and arrival time), the actual acceleration and deceleration time are longer than the setting.



🔪 **01-22** JOG Frequency

Default: 6.00

Settings 0.00–599.00 Hz

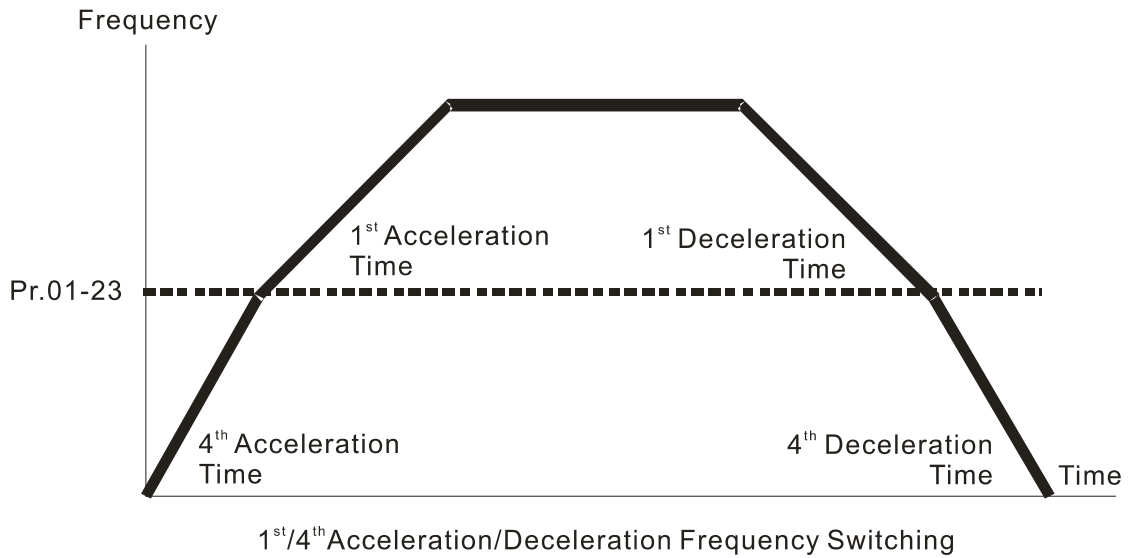
- 📖 You can use both the external terminal JOG and F1 key on the optional keypad KPC-CC01 (optional) to set the JOG function. When the JOG command is ON, the AC motor drive accelerates from 0 Hz to the JOG frequency (Pr.01-22). When the JOG command is OFF, the AC motor drive decelerates from the JOG frequency to stop. The JOG acceleration and deceleration time (Pr.01-20, Pr.01-21) are the time to accelerate from 0.00 Hz to the JOG frequency (Pr.01-22). You cannot execute the JOG command when the AC motor drive is running. When the JOG command is executing, other operation commands are invalid.

🔪 **01-23** Switch Frequency between First and Fourth Accel./Decel.

Default: 0.00

Settings 0.00–599.00 Hz

- 📖 This function does not require the external terminal switching function; it switches the acceleration and deceleration time automatically according to the Pr.01-23 setting. If you set the external terminal, the external terminal has priority over Pr.01.23.
- 📖 When using this function, set the S-curve acceleration time to 0 if the fourth acceleration time is short.
 - a. If Pr.01-02=10 s, Pr. 01-18=6 s, then the acceleration time is 3 s for 0–40 Hz and 5 s for 40–80 Hz.
 - b. If Pr.01-13=8 s, Pr. 01-19=2 s, then the deceleration time is 4 s for 80–40 Hz and 1 s for 40–0 Hz.

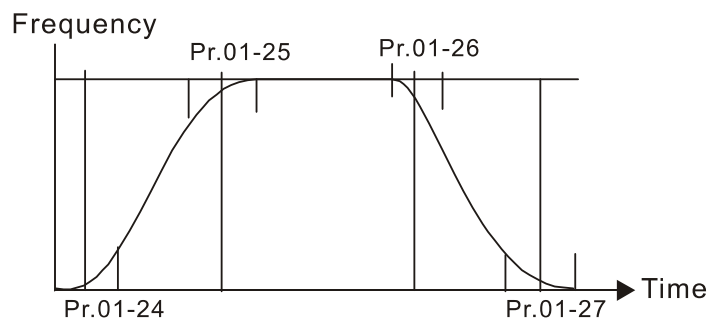


↗	01-24	S-curve for Acceleration Begin Time 1
↗	01-25	S-curve for Acceleration Arrival Time 2
↗	01-26	S-curve for Deceleration Begin Time 1
↗	01-27	S-curve for Deceleration Arrival Time 2

Default: 0.20 / 0.2

Settings Pr.01-45 = 0: 0.00–25.00 sec.
 Pr.01-45 = 1: 0.0–250.0 sec.

- 📖 Using an S-curve gives the smoothest transition between speed changes. The acceleration and deceleration curve adjusts the acceleration and deceleration S-curve. When enabled, the drive produces a different acceleration and deceleration curve according to the acceleration and deceleration time.
- 📖 The S-curve function is invalid when you set the acceleration and deceleration time to 0.
- 📖 When Pr.01-12, 01-14, 01-16, 01-18 ≥ Pr.01-24 and Pr.01-25,
 the actual acceleration time = Pr.01-12, 01-14, 01-16, 01-18 + (Pr.01-24 + Pr.01-25) / 2.
- 📖 When Pr.01-13, 01-15, 01-17, 01-19 ≥ Pr.01-26 and Pr.01-27,
 the actual deceleration time = Pr.01-13, 01-15, 01-17, 01-19 + (Pr.01-26 + Pr.01-27) / 2.

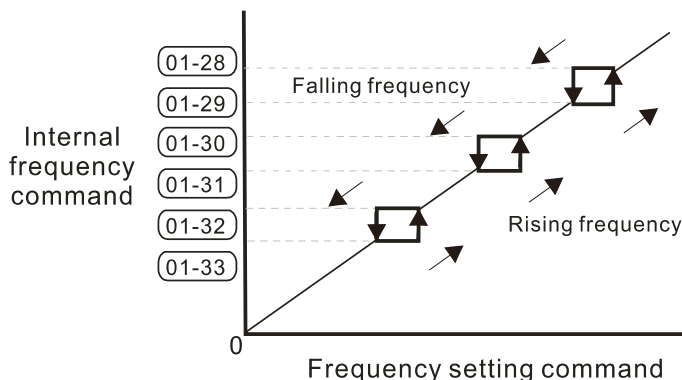


01-28	Skip Frequency 1 (Upper Limit)
01-29	Skip Frequency 1 (Lower Limit)
01-30	Skip Frequency 2 (Upper Limit)
01-31	Skip Frequency 2 (Lower Limit)
01-32	Skip Frequency 3 (Upper Limit)
01-33	Skip Frequency 3 (Lower Limit)

Default: 0.00

Settings 0.00–599.00 Hz

- 📖 Sets the AC motor drive's skip frequency. The drive's frequency setting skips these frequency ranges. However, the frequency output is continuous. There are no limits for these six parameters and you can combine them. Pr.01-28 does not need to be greater than Pr.01-29; Pr.01-30 does not need to be greater than Pr.01-31; Pr.01-32 does not need to be greater than Pr.01-33. You can set Pr.01-28–01-33 as you required. There is no size distinction among these six parameters.
- 📖 These parameters set the skip frequency ranges for the AC motor drive. You can use this function to avoid frequencies that cause mechanical resonance. The skip frequencies are useful when a motor has resonance vibration at a specific frequency bandwidth. Skipping this frequency avoids the vibration. There are three frequency skip zones available.
- 📖 You can set the Frequency command (F) within the range of skip frequencies. Then the output frequency (H) is limited to the lower limit of skip frequency ranges.
- 📖 During acceleration and deceleration, the output frequency still passes through the skip frequency ranges.



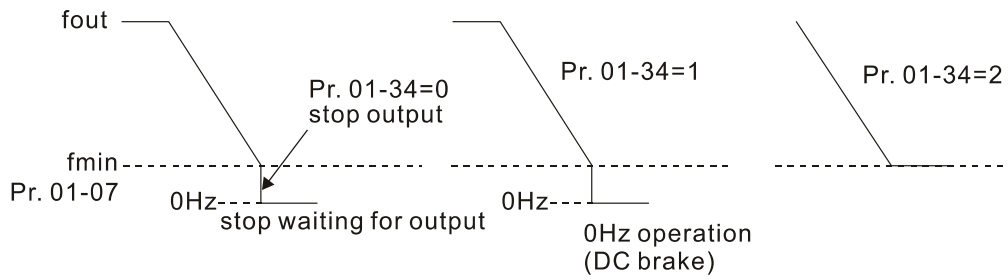
01-34 Zero-speed Mode

Default: 0

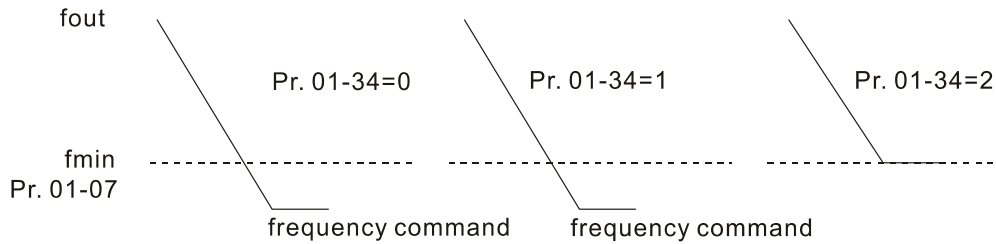
- Settings
- 0: Output waiting
 - 1: Zero-speed operation
 - 2: Fmin (refer to Pr.01-07, Pr.01-41)

- 📖 When the drive's Frequency command is lower than Fmin (Pr.01-07 and Pr.01-41), the drive operates according to this parameter.
- 📖 0: the AC motor drive is in waiting mode without voltage output from terminals U, V, W.
- 📖 1: the drive executes the DC brake by Vmin (Pr.01-08 and Pr.01-42) in V/F, FOC sensorless, and SVC modes. And it executes zero-speed operation in VFPG and FOCPG modes.
- 📖 2: the AC motor drive runs using Fmin (Pr.01-07 and Pr.01-41) and Vmin (Pr.01-08 and Pr.01-42) in V/F, VFPG, SVC, FOC sensorless and FOCPG modes.

In V/F, VFPG, SVC and FOC sensorless modes:



In FOCPG mode, when Pr.01-34 is set to 2, the AC motor drive operates according to this setting.

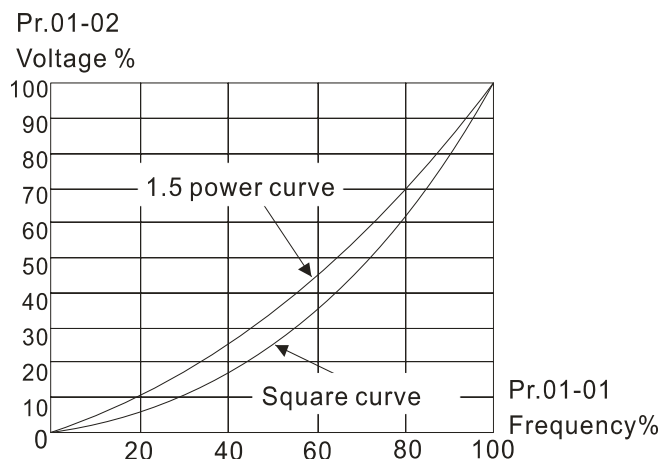


01-43 V/F Curve Selection

Default: 0

- Settings 0: V/F curve determined by Pr.01-00–01-08
- 1: V/F curve to the power of 1.5
- 2: V/F curve to the power of 2

- 📖 When setting to 0, refer to Pr.01-01–01-08 for the motor 1 V/F curve. For motor 2, refer to Pr.01-35–01-42.
- 📖 When setting to 1 or 2, the second and third voltage frequency settings (as shown in the V/F Curve diagram for Pr.01-70) are invalid.
- 📖 If the load of the motor is a variable torque load (torque is in direct proportion to the rotating speed, such as the load of a fan or a pump), the load torque is low at low rotating speed. You can decrease the input voltage appropriately to make the magnetic field of the input current smaller and reduce flux loss and iron loss for the motor to increase efficiency.
- 📖 When you set the V/F curve to high power, it has lower torque at low frequency, and the drive is not suitable for rapid acceleration and deceleration. Do NOT use this parameter for rapid acceleration and deceleration.



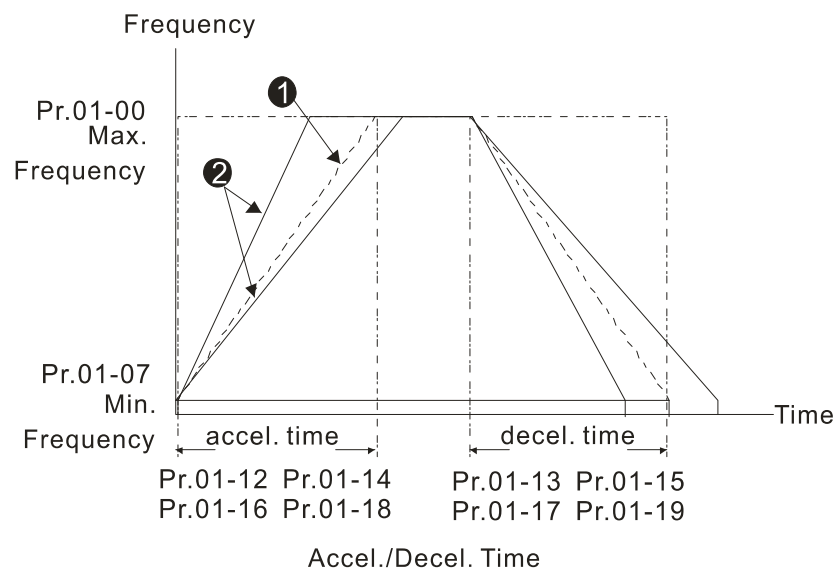
01-44 Auto-acceleration and Auto-deceleration Setting

Default: 0

Settings 0: Linear acceleration and deceleration

- 1: Auto-acceleration and linear deceleration
- 2: Linear acceleration and auto-deceleration
- 3: Auto-acceleration and auto-deceleration
- 4: Stall prevention by auto-acceleration and auto-deceleration
(limited by Pr.01-12-01-21)

- 0 (linear acceleration and deceleration): the drive accelerates and decelerates according to the setting for Pr.01-12-01-19.
- 1 or 2 (auto/linear acceleration and auto/linear deceleration): the drive auto-tunes the acceleration and deceleration to effectively reduce the mechanical vibration during the load start-up and stop and make the auto-tuning process more easier. It does not stall during acceleration and does not need a brake resistor during deceleration to stop. It can also improve operation efficiency and save energy.
- 3 (auto-acceleration and auto-deceleration-decelerating by the actual load): the drive auto-detects the load torque and automatically accelerates from the fastest acceleration time and smoothest start-up current to the setting frequency. During deceleration, the drive automatically determines the loaded regenerative energy to steadily and smoothly stop the motor in the fastest deceleration time.
- 4 (stall prevention by auto-acceleration and deceleration-reference to the acceleration and deceleration time settings): if the acceleration and deceleration time are within a reasonable range, the actual acceleration and deceleration time refer to the Pr.01-12-01-19 settings. If the acceleration and deceleration time are too short, the actual acceleration and deceleration time are greater than the acceleration and deceleration time settings.



- ① When Pr.01-44 is set to 0.
- ② When Pr.01-44 is set to 3.

01-45 Time Unit for Acceleration and Deceleration and S-Curve


Default: 0

Settings 0: Unit 0.01 sec.
1: Unit 0.1 sec.

01-46 CANopen Quick Stop Time

Default: 1.00/1.0


Settings Pr.01-45 = 0: 0.00–600.00 sec.
Pr.01-45 = 1: 0.0–6000.0 sec.


 Sets the time required to decelerate from the maximum operation frequency (Pr.01-00) to 0.00 Hz through the CANopen control.


01-49 Regenerative Energy Restriction Control Method


Default: 0

Settings 0: Normal deceleration
1: Over voltage energy restriction
2: Traction energy control (TEC)

 0: decelerate or stop in accordance with the original deceleration setting.

 The actual deceleration time of the motor is longer than the deceleration time setting because of the over-voltage stall prevention.

 1: during deceleration, the drive controls the motor according to the setting for Pr.06-01 and the recovery voltage of the DC bus. The controller starts when the DC bus voltage reaches 95% of Pr.06-01. When Pr.06-01 is set to 0, the drive controls the motor according to the operating voltage and the recovery voltage of the DC bus. This method decelerates according to the setting for the deceleration time. The fastest actual deceleration time is not less than the deceleration time setting.

 2: during deceleration, the drive controls the motor according to the setting for Pr.06-01 and the DC bus voltage. The controller starts when the DC bus voltage reaches 95% of Pr.06-01, auto-tunes the output frequency and the output voltage to accelerate the consumption of the regenerative energy according to the drive's capability, and the deceleration time is the result of the drive's auto-tuning. Use this setting when over-voltage occurs due to unexpected deceleration time.

02 Digital Input / Output Parameters

✎ You can set this parameter during operation.

02-00 Two-wire / Three-wire Operation Control

Default: 1

- Settings
- 0: No function
 - 1: Two-wire mode 1, power on for operation control
(M1: FWD / STOP, M2: REV / STOP)
 - 2: Two-wire mode 2, power on for operation control
(M1: RUN / STOP, M2: REV / FWD)
 - 3: Three-wire, power on for operation control
(M1: RUN, M2: REV / FWD, M3: STOP)
 - 4: Two-wire mode 1, Quick Start
(M1: FWD / STOP, M2: REV / STOP)
 - 5: Two-wire mode 2, Quick Start
(M1: RUN / STOP, M2: REV / FWD)
 - 6: Three-wire, Quick Start
(M1: RUN, M2: REV / FWD, M3: STOP)

- 📖 In the Quick Start function, the output remains ready for operation. The drive responds to the Start command immediately.
- 📖 When using Quick Start function, the output terminals UVW are with driving voltages in order to output and respond immediately if a Start command is given. Do NOT touch the terminals or modify the motor wiring to prevent electric shocks.
- 📖 This parameter sets the configuration of the external drive operation control and the Quick Start function. There are six different control modes listed in the following table.

Pr.02-00	External Terminal Control Circuits
<p>Setting value: 1</p> <p>Two-wire operation control</p> <p>FWD / STOP</p> <p>REV / STOP</p>	
<p>Setting value: 2</p> <p>Two-wire operation control</p> <p>RUN / STOP</p> <p>FWD / REV</p>	
<p>Setting value: 3</p> <p>Three-wire operation control</p>	

Pr.02-00	External Terminal Control Circuits
Setting value: 4 Two-wire operation control Quick Start	
Setting value: 5 Two-wire operation control Quick Start	
Setting value: 6 Three-wire operation control Quick Start	

02-01	Multi-function Input Command 1 (MI1)	Default: 0
02-02	Multi-function Input Command 2 (MI2)	
02-07	Multi-function Input Command 7 (MI7)	
02-03	Multi-function Input Command 3 (MI3)	Default: 1
02-04	Multi-function Input Command 4 (MI4)	Default: 2
02-05	Multi-function Input Command 5 (MI5)	Default: 3
02-06	Multi-function Input Command 6 (MI6)	Default: 4

- Settings
- 0: No function
 - 1: Multi-step speed command 1 / multi-step position command 1
 - 2: Multi-step speed command 2 / multi-step position command 2
 - 3: Multi-step speed command 3 / multi-step position command 3
 - 4: Multi-step speed command 4 / multi-step position command 4
 - 5: Reset
 - 6: JOG operation [by external control or KPC-CC01 (optional)]
 - 7: Acceleration / deceleration speed inhibit
 - 8: 1st and 2nd acceleration / deceleration time selection
 - 9: 3rd and 4th acceleration / deceleration time selection
 - 10: External Fault (EF) input (Pr.07-20)
 - 11: Base Block (B.B.) input from external
 - 12: Output stop

- 13: Cancel the setting of auto-acceleration / auto-deceleration time
- 15: Rotating speed command from AVI
- 16: Rotating speed command from ACI
- 18: Force to stop (Pr.07-20)
- 19: Digital up command
- 20: Digital down command
- 21: PID function disabled
- 22: Clear the counter
- 23: Input the counter value (MI6)
- 24: FWD JOG command
- 25: REV JOG command
- 26: TQC / FOC mode selection
- 27: ASR1 / ASR2 selection
- 28: Emergency stop (EF1)
- 29: Signal confirmation for Y-connection
- 30: Signal confirmation for Δ -connection
- 31: High torque bias (Pr.11-30)
- 32: Middle torque bias (Pr.11-31)
- 33: Low torque bias (Pr.11-32)
- 38: Disable writing EEPROM function
- 39: Torque command direction
- 40: Force coasting to stop
- 41: HAND switch
- 42: AUTO switch
- 48: Mechanical gear ratio switch
- 49: Enable drive
- 50: Slave dEb action to execute
- 51: Selection for PLC mode bit 0
- 52: Selection for PLC mode bit 1
- 53: Trigger CANopen quick stop
- 56: Local / Remote selection
- 58: Enable fire mode (with RUN command)
- 59: Enable fire mode (without RUN command)
- 70: Force auxiliary frequency return to 0
- 71: Disable PID function, force PID output return to 0
- 72: Disable PID function, retain the output value before disabled
- 73: Force PID integral gain return to 0, disable integral
- 74: Reverse PID feedback
- 81: Simple positioning zero point position signal input
- 82: OOB loading balance detection
- 83: Multi-motor (IM) selection bit 0
- 84: Multi-motor (IM) selection bit 1

- 📖 This parameter selects the functions for each multi-function terminal.
- 📖 When Pr.02-00 = 0, you can set multi-function options with multi-function input terminals MI1, MI2.
- 📖 When Pr.02-00 ≠ 0, the multi-function input terminals MI1, MI2 work in accordance with the setting values for Pr.02-00.

Example:

If Pr.02-00 = 1: multi-function input terminal MI1 = FWD / STOP, MI2 = REV / STOP.

If Pr.02-00 = 2: multi-function input terminal MI1 = RUN / STOP, MI2 = FWD / REV.

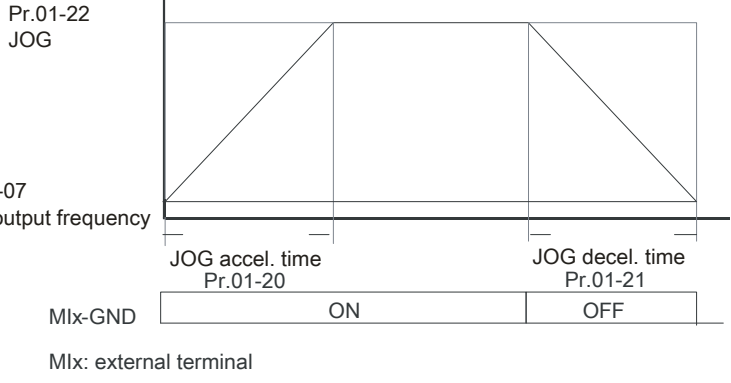
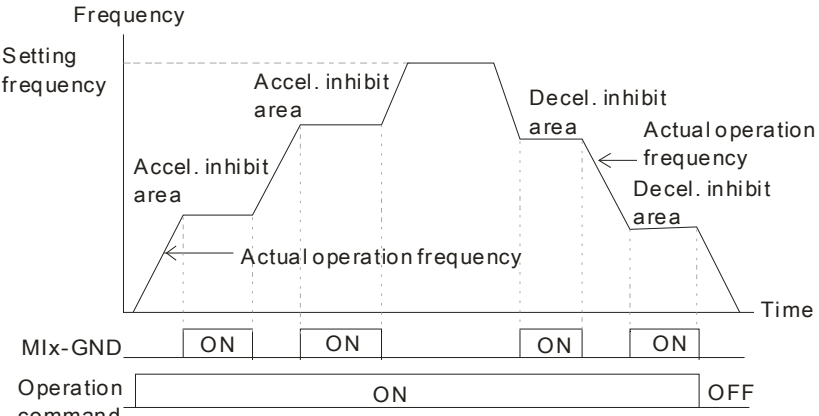
- 📖 When multi-function input terminal MI7 = 0, MI7 is designated as a pulse input terminal.
- 📖 If Pr.02-00 is set to three-wire operation control, terminal MI3 is for the STOP contact.

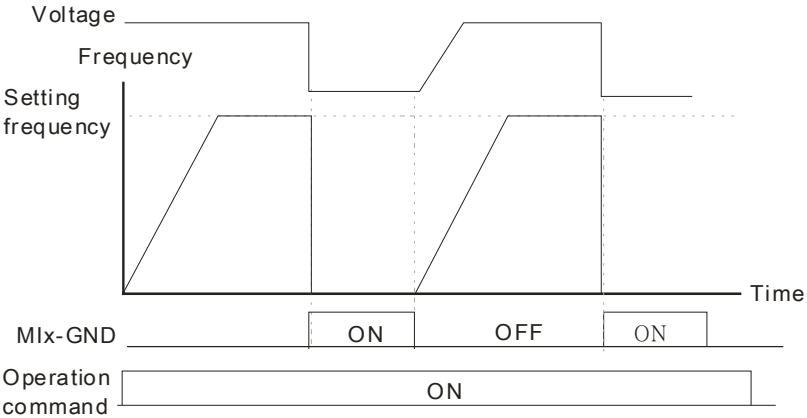
The function set previously for this terminal is automatically invalid.

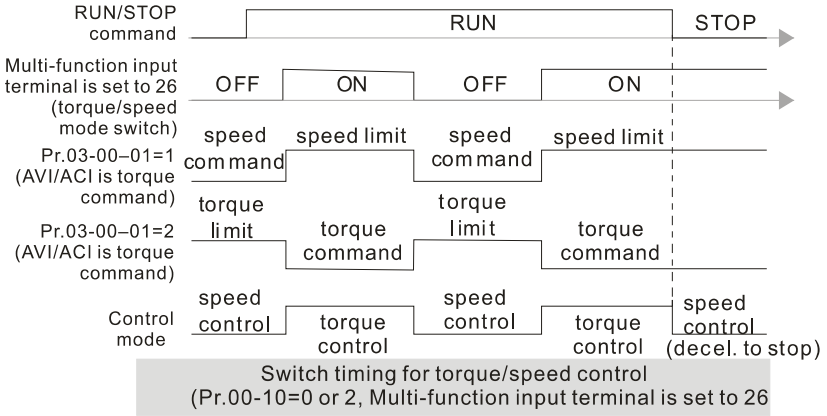
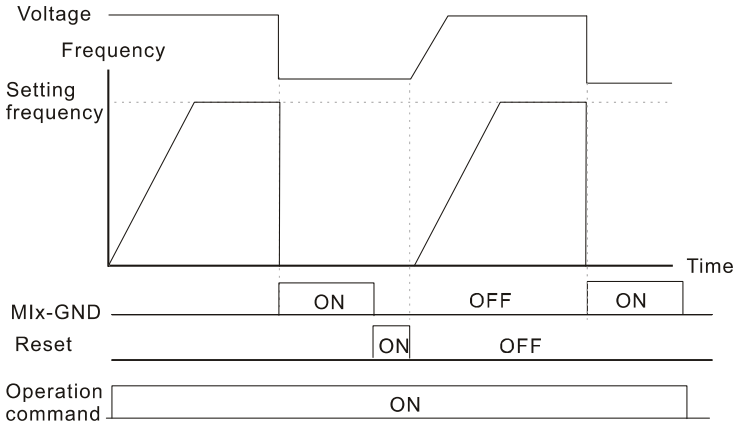
Summary of Function Settings

Take the normally open contact (N.O.) for example, ON: contact is closed, OFF: contact is open.

Settings	Functions	Descriptions
0	No function	
1	Multi-step speed command 1 / multi-step position command 1	You can set 15 steps of speed or 15 positions with the digital status of these four terminals. You can use 16-steps of speed if you include the master speed when setting as 15 steps of speed (refer to Parameter Group 04 Multi-step Speed Parameters).
2	Multi-step speed command 2 / multi-step position command 2	
3	Multi-step speed command 3 / multi-step position command 3	
4	Multi-step speed command 4 / multi-step position command 4	
5	Reset	Use this terminal to reset the drive after clearing a drive fault.
6	JOG operation [by external control or KPC-CC01 (optional)]	<p>This function is valid when the source of the operation command is the external terminals.</p> <p>The JOG operation executes when the drive stops completely. While running, you can still change the operation direction, and the STOP key on the keypad* and the STOP command from communications are valid. Once the external terminal receives the OFF command, the motor stops in the JOG deceleration time. Refer to Pr.01-20–01-22 for details.</p> <p>*: This function is valid when Pr.00-32 is set to 1.</p>

Settings	Functions	Descriptions
		<p>Pr.01-22 JOG</p>  <p>Pr.01-07 Min. output frequency</p> <p>JOG accel. time Pr.01-20</p> <p>JOG decel. time Pr.01-21</p> <p>Mlx-GND ON OFF</p> <p>Mlx: external terminal</p>
7	Acceleration / deceleration speed inhibit	<p>When you enable this function, the drive stops acceleration or deceleration immediately. After you disable this function, the AC motor drive starts to accelerate or decelerate from the inhibit point.</p>  <p>Frequency</p> <p>Setting frequency</p> <p>Accel. inhibit area</p> <p>Decel. inhibit area</p> <p>Actual operation frequency</p> <p>Time</p> <p>Mlx-GND ON ON ON ON</p> <p>Operation command ON OFF</p>
8	1 st and 2 nd acceleration / deceleration time selection	<p>You can select the acceleration and deceleration time of the drive with this function, or from the digital status of the terminals;</p>
9	3 rd and 4 th acceleration / deceleration time selection	<p>there are four acceleration and deceleration selections.</p>
10	External Fault (EF) input (Pr.07-20)	<p>For external fault input. The drive decelerates according to the Pr.07-20 setting, and the keypad shows “EF” (it shows the fault record when an external fault occurs). The drive keeps running until the fault is cleared (terminal status restored) after RESET.</p>
11	Base Block (B.B.) input from external	<p>ON: the output of the drive stops immediately. The motor is in free run and the keypad displays the B.B. signal. Refer to Pr.07-08 for details.</p>

Settings	Functions	Descriptions
12	Output stop	<p>ON: the output of the drive stops immediately and the motor is in free run status. The drive is in output waiting status until the switch is turned to OFF, and then the drive restarts and runs to the current setting frequency.</p>  <p>The diagram illustrates the 'Output stop' function. It shows three signals over time: MIx-GND, Operation command, and Frequency. The MIx-GND signal starts as 'ON', then transitions to 'OFF', and then back to 'ON'. The Operation command signal is 'ON' throughout the entire duration. The Frequency signal starts at zero, ramps up to a 'Setting frequency' level while MIx-GND is 'ON'. When MIx-GND goes 'OFF', the frequency drops to zero. When MIx-GND returns to 'ON', the frequency ramps up again to the 'Setting frequency' level. The Voltage signal is shown as a step function that drops to zero when MIx-GND goes 'OFF' and returns to its nominal level when MIx-GND goes 'ON'.</p>
13	Cancel the setting of auto-acceleration / auto-deceleration time	Set Pr.01-44 to one of the 01–04 setting modes before using this function. When this function is enabled, OFF is for auto mode and ON is for linear acceleration / deceleration.
15	Rotating speed command from AVI	ON: force the source of the drive's frequency to be AVI. If the rotating speed commands are set to AVI and ACI at the same time, the priority is AVI > ACI.
16	Rotating speed command from ACI	ON: force the source of the drive's frequency to be ACI. If the rotating speed commands are set to AVI and ACI at the same time, the priority is AVI > ACI.
18	Force to stop (Pr.07-20)	ON: the drive ramps to a stop according to the Pr.07-20 setting.
19	Digital up command	ON: the frequency of the drive increases or decreases by one unit. If this function remains ON continuously, the frequency increases or decreases according to Pr.02-09 / Pr.02-10.
20	Digital down command	The Frequency command returns to zero when the drive stops and the displayed frequency is 0.00 Hz. If you select Pr.11-00, bit 7 = 1, the frequency is not saved.
21	PID function disabled	ON: the PID function is disabled.
22	Clear the counter	ON: the current counter value is cleared and displays 0. The drive counts up when this function is disabled.
23	Input the counter value (MI6)	ON: the counter value increases by one. Use the function with Pr.02-19.
24	FWD JOG command	This function is valid when the source of the operation command is the external terminal. ON: the drive executes forward JOG. When executing the JOG command in torque mode, the drive automatically switches to speed mode. The drive returns to torque mode after the JOG command is complete.

Settings	Functions	Descriptions
25	REV JOG command	<p>This function is valid when the source of the operation command is the external terminal. ON: the drive executes reverse JOG. When executing the JOG command in torque mode, the drive automatically switches to speed mode. The drive returns to torque mode after the JOG command is complete.</p>
26	TQC / FOC mode selection	<p>ON: TQC mode, OFF: FOC mode.</p>  <p>Switch timing for torque/speed control (Pr.00-10=0 or 2, Multi-function input terminal is set to 26)</p>
27	ASR1 / ASR2 selection	<p>ON: the speed is adjusted by the ASR 2 setting. OFF: the speed is adjusted by the ASR 1 setting. Refer to Pr.11-02 for details.</p>
28	Emergency stop (EF1)	<p>ON: the output of the drive stops immediately, displays “EF1” on the keypad, and the motor is in free run status. The drive keeps running until the external fault is cleared after you press RESET on the keypad (EF: External Fault).</p> 
29	Signal confirmation for Y-connection	<p>When the control mode is V/F, ON: the drive operates by the first V/F.</p>
30	Signal confirmation for Δ-connection	<p>When the control mode is V/F, ON: the drive operates by the second V/F.</p>
31	High torque bias	<p>Refer to Pr.11-30–11-32 for details.</p>
32	Middle torque bias	
33	Low torque bias	
38	Disable writing EEPROM function (parameters memory disable)	<p>ON: writing to EEPROM is disabled. Changed parameters are not saved after power off.</p>

Settings	Functions	Descriptions															
39	Torque command direction	For torque control (Pr.00-10=2), when the torque command is AVI or ACI, ON: negative torque.															
40	Force coasting to stop	ON: during operation, the motor coasts to stop.															
41	HAND switch	1. When the MI terminal switches to OFF, it executes a STOP command. Therefore, if the MI terminal switches to OFF during operation, the drive stops. 2. Use the optional keypad KPC-CC01 to switch between HAND and AUTO. The drive stops first, and then switches to HAND or AUTO status.															
42	AUTO switch	3. The optional digital keypad KPC-CC01 displays the current status of the drive (HAND / OFF / AUTO). <table border="1" style="margin-left: auto; margin-right: auto;"> <thead> <tr> <th></th> <th>bit 1</th> <th>bit 0</th> </tr> </thead> <tbody> <tr> <td>OFF</td> <td>0</td> <td>0</td> </tr> <tr> <td>AUTO</td> <td>0</td> <td>1</td> </tr> <tr> <td>HAND</td> <td>1</td> <td>0</td> </tr> <tr> <td>OFF</td> <td>1</td> <td>1</td> </tr> </tbody> </table>		bit 1	bit 0	OFF	0	0	AUTO	0	1	HAND	1	0	OFF	1	1
	bit 1	bit 0															
OFF	0	0															
AUTO	0	1															
HAND	1	0															
OFF	1	1															
48	Mechanical gear ratio switch	ON: the mechanical gear ratio switches to the second group. Refer to Pr.10-04–Pr.10-07 for details.															
49	Enable drive	When the drive is enabled, the RUN command is valid. When the drive is disabled, the RUN command is invalid. When the drive is operating, the motor coasts to stop. This function varies with MO = 45.															
50	Slave dEb action to execute	Enter the message setting in this parameter when the master triggers dEb. This ensures that the slave also triggers dEb, then the master and slave stop simultaneously.															
51	Selection for PLC mode (bit 0)	<table border="1" style="margin-left: auto; margin-right: auto;"> <thead> <tr> <th>PLC status</th> <th>bit 1</th> <th>bit 0</th> </tr> </thead> <tbody> <tr> <td>Disable PLC function (PLC 0)</td> <td>0</td> <td>0</td> </tr> <tr> <td>Trigger PLC to operate (PLC 1)</td> <td>0</td> <td>1</td> </tr> </tbody> </table>	PLC status	bit 1	bit 0	Disable PLC function (PLC 0)	0	0	Trigger PLC to operate (PLC 1)	0	1						
PLC status	bit 1	bit 0															
Disable PLC function (PLC 0)	0	0															
Trigger PLC to operate (PLC 1)	0	1															
52	Selection for PLC mode (bit 1)	<table border="1" style="margin-left: auto; margin-right: auto;"> <tbody> <tr> <td>Trigger PLC to stop (PLC 2)</td> <td>1</td> <td>0</td> </tr> <tr> <td>No function</td> <td>1</td> <td>1</td> </tr> </tbody> </table>	Trigger PLC to stop (PLC 2)	1	0	No function	1	1									
Trigger PLC to stop (PLC 2)	1	0															
No function	1	1															
53	Trigger CANopen quick stop	When this function is enabled under CANopen control, it changes to Quick Stop. Refer to Chapter 15 CANopen Overview for more details.															
56	Local / Remote selection	Use Pr.00-29 to select LOCAL / REMOTE mode. When Pr.00-29 is not set to 0, the optional digital keypad KPC-CC01 displays LOC / REM status. (Refer to Pr.00-29 for details) <table border="1" style="margin-left: auto; margin-right: auto;"> <thead> <tr> <th></th> <th>bit 0</th> </tr> </thead> <tbody> <tr> <td>REM</td> <td>0</td> </tr> <tr> <td>LOC</td> <td>1</td> </tr> </tbody> </table>		bit 0	REM	0	LOC	1									
	bit 0																
REM	0																
LOC	1																

Settings	Functions	Descriptions
58	Enable fire mode (with RUN command)	When fire occurs, enable this terminal to make the drive enter the fire mode to force the drive to run. If the drive is in stop status, enable this terminal to make the drive enter the fire mode to force the drive to run according to Pr.06-80 settings. (Refer to Pr.06-80, 06-81, 06-88 for details)
59	Enable fire mode (without RUN command)	When fire occurs, enable this terminal to make the drive enter the fire mode. If the drive is in stop status, enable this terminal to make the drive enter the fire mode, but the drive does not run. If the drive is in running status, enable this terminal to run the drive according to Pr.06-80 settings. (Refer to Pr.06-80, 06-81, 06-88 for details)
70	Force auxiliary frequency return to 0	Forces the auxiliary frequency return to 0 when using this function. PID keeps operating if PID is the master frequency. When Pr.00-35 \neq 0, the master and auxiliary frequencies are enabled, and then selecting this function with the terminal effectively forces the auxiliary frequency return to 0.
71	Disable PID function, force PID output return to 0	When the master and auxiliary frequencies are enabled and when using the PID function, ON: PID does not operate, returns the integral value to 0, and forces the PID output return to 0.
72	Disable PID function, retain the output value before disabled	When the master and auxiliary frequencies are enabled, and the PID function is enabled, ON: PID does not operate, and its output value remains the same as the value before it was disabled.
73	Force PID integral gain return to 0, disable integral	ON: PID continues to operate, disables the integral control, and returns the integral value to 0.
74	Reverse PID feedback	ON: PID negative feedback becomes positive feedback, or PID positive feedback becomes negative feedback.
81	Simple positioning zero point position signal input	Use this function as the trigger terminal for simple positioning with Pr.02-78–Pr.02-80. This function is just a simple positioning, so you must verify the positioning accuracy. Refer to Pr.02-80 for details.
82	OOB loading balance detection	You can use the OOB (Out Of Balance Detection) function with the PLC program in the washing machine system. ON: it receives the $\Delta\theta$ value according to Pr.07-46 (OOB Sampling Time) and Pr.07-47 (Number of OOB Sampling Times). The PLC or the host controller determines the motor's speed according to this $\Delta\theta$ value (Pr.07-48).

Settings	Functions	Descriptions				
83	Multi-motor (IM) selection bit 0	ON: parameters can be changed Example: MI1 = 83, MI2 = 84				
		MI1	MI2	Motor Selection	Related Motor Parameter	
84	Multi-motor (IM) selection bit 1	OFF	OFF	Motor 1	Pr.01-00	Pr.01-01–01-08
		ON	OFF	Motor 2	Pr.01-52	Pr.01-35–01-42
		OFF	ON	Motor 3	Pr.01-53	Pr.01-54–01-61
		ON	ON	Motor 4	Pr.01-62	Pr.01-63–01-70

02-09 UP / DOWN Key Mode

Default: 0

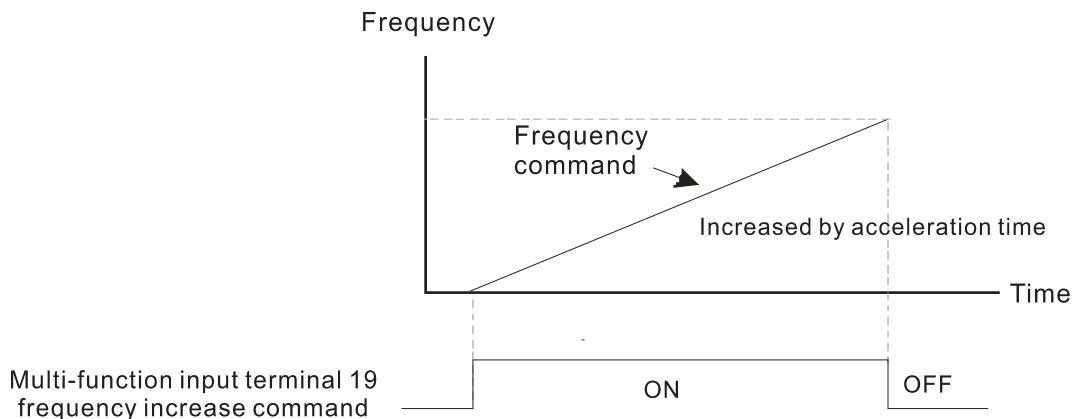
- Settings
- 0: UP / DOWN by the acceleration / deceleration time
 - 1: UP / DOWN constant speed (Pr.02-10)
 - 2: Pulse signal (Pr.02-10)
 - 3: External terminals UP / DOWN key mode

02-10 Constant Speed, Acceleration / Deceleration Speed of the UP / DOWN Key

Default: 0.001

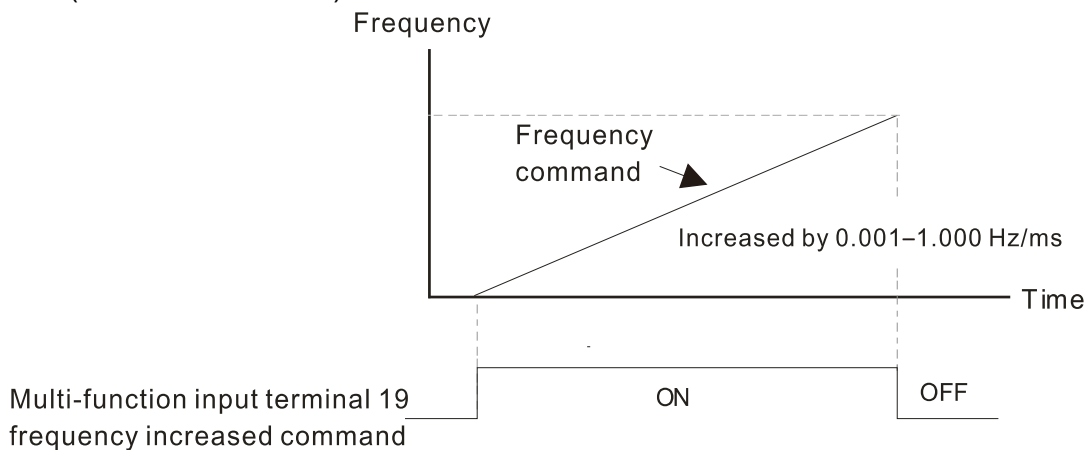
Settings 0.001–1.000 Hz / ms

- 📖 Use when the multi-function input terminals are set to 19, 20 (Digital UP / DOWN command). The frequency increases or decreases according to Pr.02-09 and Pr.02-10.
- 📖 When Pr.11-00 bit 7 = 1, the frequency is not saved. The Frequency command returns to zero when the drive stops, and the displayed frequency is 0.00 Hz. At this time, increasing or decreasing the Frequency command (F) by using the UP or DOWN key is valid only when the drive is running.
- 📖 When Pr.02-09 is set to 0:
The increasing or decreasing Frequency command (F) operates according to the setting for acceleration or deceleration time (refer to Pr.01-12–01-19).



When Pr.02-09 is set to 1:

The increasing or decreasing Frequency command (F) operates according to the setting of Pr.02-10 (0.001–1.000 Hz/ms).



02-11 Multi-function Input Response Time

Default: 0.005

Settings 0.000–30.000 sec.

- Use this parameter to set the response time of the digital input terminals MI1–MI7.
- This function is to delay and confirm the digital input terminal signal. The time for delay is also the time for confirmation. The confirmation prevents interference that could cause error in the input to the digital terminals. But in the meanwhile, it delays the response time though confirmation improves accuracy.

02-12 Multi-function Input Mode Selection

Default: 0000

Settings 0000h–FFFFh (0: N.O.; 1: N.C.)

- The parameter setting is in hexadecimal.
- This parameter sets the status of the multi-function input signal (0: normally open ; 1: normally closed) and it is not affected by the status of SINK / SOURCE.
- bit 0–bit 6 correspond to MI1–MI7.
- The default for bit 0 (MI1) is FWD terminal, and the default for bit 1 (MI2) is REV terminal. You cannot use this parameter to change the input mode when Pr.02-00 ≠ 0.
- You can change the terminal ON / OFF status through communications.
For example: MI3 is set to 1 (multi-step speed command 1) and MI4 is set to 2 (multi-step speed command 2). Then the forward + second step speed command = $1001_2 = 9_{10}$.
As long as Pr.02-12 = 9 is set through communications, there is no need to wire any multi-function terminal to run forward with the second step speed.


bit 6	bit 5	bit 4	bit 3	bit 2	bit 1	bit 0
MI7	MI6	MI5	MI4	MI3	MI2	MI1

Use Pr.11-42 bit 1 to select whether FWD / REV terminal is controlled by Pr.02-12 bit 0 and bit 1.

↗	02-13	Multi-function Output 1 (RY1)	Default: 11
↗	02-16	Multi-function Output 2 (MO1)	
↗	02-17	Multi-function Output 3 (MO2)	Default: 0

- Settings
- 0: No function
 - 1: Indication during RUN
 - 2: Operation speed reached
 - 3: Desired frequency reached 1 (Pr.02-22)
 - 4: Desired frequency reached 2 (Pr.02-24)
 - 5: Zero speed (Frequency command)
 - 6: Zero speed including STOP (Frequency command)
 - 7: Over-torque 1 (Pr.06-06–06-08)
 - 8: Over-torque 2 (Pr.06-09–06-11)
 - 9: Drive is ready
 - 10: Low voltage warning (Lv) (Pr.06-00)
 - 11: Malfunction indication
 - 13: Overheat warning (Pr.06-15)
 - 14: Software brake signal indication (Pr.07-00)
 - 15: PID feedback error (Pr.08-13, 08-14)
 - 16: Slip error (oSL)
 - 17: Count value reached, does not return to 0 (Pr.02-20)
 - 18: Count value reached, return to 0 (Pr.02-19)
 - 19: External interrupt B.B. input (Base Block)
 - 20: Warning output
 - 21: Over-voltage
 - 22: Over-current stall prevention
 - 23: Over-voltage stall prevention
 - 24: Operation mode
 - 25: Forward command
 - 26: Reverse command
 - 29: Output when frequency \geq Pr.02-34
 - 30: Output when frequency $<$ Pr.02-34
 - 31: Y-connection for the motor coil
 - 32: Δ -connection for the motor coil
 - 33: Zero speed (actual output frequency)
 - 34: Zero speed including STOP (actual output frequency)
 - 35: Error output selection 1 (Pr.06-23)
 - 36: Error output selection 2 (Pr.06-24)
 - 37: Error output selection 3 (Pr.06-25)
 - 38: Error output selection 4 (Pr.06-26)

- 40: Speed reached (including STOP)
- 42: Crane function
- 43: Actual motor speed detection
- 44: Low current output (use with Pr.06-71–Pr.06-73)
- 45: UVW output electromagnetic valve switch
- 46: Master dEb output
- 50: Output control for CANopen
- 51: Analog output control for RS-485 interface
- 52: Output control for communication cards
- 53: Fire mode indication
- 66: SO output logic A
- 67: Analog input level reached
- 68: SO output logic B
- 73: Over-torque 3
- 74: Over-torque 4
- 75: Forward RUN status
- 76: Reverse RUN status

 Use this parameter to set the function of multi-function terminals.

Summary of Function Settings

(Take the normally open contact (N.O.) for example, ON: contact is closed, OFF: contact is open)

Settings	Functions	Descriptions
0	No Function	Output terminal with no function
1	Indication during RUN	Activates when the drive is not in STOP.
2	Operation speed reached	Activates when output frequency of drive reaches to the setting frequency.
3	Desired frequency reached 1 (Pr.02-22)	Activates when the desired frequency (Pr.02-22) is reached.
4	Desired frequency reached 2 (Pr.02-24)	Activates when the desired frequency (Pr.02-24) is reached.
5	Zero speed (Frequency command)	Activates when Frequency command = 0. (the drive must be in RUN status)
6	Zero speed including STOP (Frequency command)	Activates when Frequency command = 0 or stopped.
7	Over-torque 1	Activates when the drive detects over-torque. Pr.06-07 sets the over-torque detection level (motor 1), and Pr.06-08 sets the over-torque detection time (motor 1). Refer to Pr.06-06–06-08.
8	Over-torque 2	Activates when the drive detects over-torque. Pr.06-10 sets the over-torque detection level (motor 2), and Pr.06-11 sets the over-torque detection time (motor 2). Refer to Pr.06-09–06-11.

Settings	Functions	Descriptions
9	Drive is ready	Activates when the drive is ON with no error detected.
10	Low voltage warning (Lv)	Activates when the DC bus voltage is too low. (refer to Pr.06-00 Low Voltage Level)
11	Malfunction indication	Activates when fault occurs (except Lv stop).
13	Overheat warning	Activates when IGBT or heat sink overheats to prevent the drive from shutting down due to overheating. (refer to Pr.06-15)
14	Software brake signal indication	Activates when the soft brake function is ON. (refer to Pr.07-00).
15	PID feedback error (Pr.08-13, 08-14)	Activates when the PID feedback signal error is detected.
16	Slip error (oSL)	Activates when the slip error is detected.
17	Count value reached, does not return to 0 (Pr.02-20)	When the drive executes external counter, this contact activates if the count value is equal to the setting value for Pr.02-20. This contact deactivates when the setting value for Pr.02-20 > Pr.02-19.
18	Count value reached, returns to 0 (Pr.02-19)	When the drive executes the external counter, this contact activates if the count value is equal to the setting value for Pr.02-19.
19	External interrupt B.B. input (Base Block)	Activates when external interrupt (B.B.) stop output occurs in the drive.
20	Warning output	Activates when a warning is detected.
21	Over-voltage	Activates when over-voltage is detected.
22	Over-current stall prevention	Activates when the over-current stall prevention is detected.
23	Over-voltage stall prevention	Activates when over-voltage stall prevention is detected.
24	Operation mode	Activates when the source of operation command is not controlled by the digital keypad (Pr.00-21 ≠ 0).
25	Forward command	Activates when the operation direction is forward.
26	Reverse command	Activates when the operation direction is reverse.
29	Output when frequency ≥ Pr.02-34	Activates when frequency is ≥ Pr.02-34 (actual output H ≥ Pr.02-34).
30	Output when frequency < Pr.02-34	Activates when frequency is < Pr.02-34 (actual output H < Pr.02-34).
31	Y-connection for the motor coil	Activates when Pr.05-24 = 1, the frequency output is lower than Pr.05-23 minus 2 Hz and the time is longer than Pr.05-25.
32	Δ-connection for the motor coil	Activates when Pr.05-24 = 1, the frequency output is higher than Pr.05-23 plus 2 Hz and the time is longer than Pr.05-25.
33	Zero speed (actual output frequency)	Activates when the actual output frequency is 0 (the drive is in RUN mode).

Settings	Functions	Descriptions
34	Zero speed including stop (actual output frequency)	Activates when the actual output frequency is 0 or stopped.
35	Error output selection 1 (Pr.06-23)	Activates when Pr.06-23 is ON.
36	Error output selection 2 (Pr.06-24)	Activates when Pr.06-24 is ON.
37	Error output selection 3 (Pr.06-25)	Activates when Pr.06-25 is ON.
38	Error output selection 4 (Pr.06-26)	Activates when Pr.06-26 is ON.
40	Speed reached (including Stop)	Activates when the drive's output frequency reaches the setting frequency or stopped.
42	Crane function	Use this function with Pr.02-34 and Pr.02-58. Refer to Pr.02-34 and 02-58 for details and application examples.
43	Actual motor speed detection	Activates when the motor actual speed is less than Pr.02-47.
44	Low current output	Use this function with Pr.06-71–Pr.06-73.
45	UVW output electromagnetic valve switch	<p>Use this function with external terminal input = 49 (drive enabled) and external terminal output = 45 (electromagnetic valve enabled), and then the electromagnetic valve is ON or OFF according to the status of the drive.</p>
46	Master dEb output	When dEb rises at the master, MO sends a dEb signal to the slave. Output the message when the master triggers dEb. This ensures that the slave also triggers dEb. Then the slave follows the deceleration time of the master to stop simultaneously with the master.

Settings	Functions	Descriptions																
50	Output control for CANopen	Control the multi-function output terminals through CANopen. The mapping table of the CANopen DO is shown in the following table:																
		<table border="1"> <thead> <tr> <th>Physical terminal</th> <th>Setting for related parameters</th> <th>Attribute</th> <th>Corresponding index</th> </tr> </thead> <tbody> <tr> <td>RY1</td> <td>Pr.02-13=50</td> <td>RW</td> <td>2026-41 bit 0 of initial value 0x01</td> </tr> <tr> <td>MO1</td> <td>Pr.02-16=50</td> <td>RW</td> <td>2026-41 bit 3 of initial value 0x01</td> </tr> <tr> <td>MO2</td> <td>Pr.02-17=50</td> <td>RW</td> <td>2026-41 bit 4 of initial value 0x01</td> </tr> </tbody> </table>	Physical terminal	Setting for related parameters	Attribute	Corresponding index	RY1	Pr.02-13=50	RW	2026-41 bit 0 of initial value 0x01	MO1	Pr.02-16=50	RW	2026-41 bit 3 of initial value 0x01	MO2	Pr.02-17=50	RW	2026-41 bit 4 of initial value 0x01
		Physical terminal	Setting for related parameters	Attribute	Corresponding index													
		RY1	Pr.02-13=50	RW	2026-41 bit 0 of initial value 0x01													
		MO1	Pr.02-16=50	RW	2026-41 bit 3 of initial value 0x01													
MO2	Pr.02-17=50	RW	2026-41 bit 4 of initial value 0x01															
Refer to Section 15-3-5 for more information.																		
51	Analog output control for RS-485 interface	For RS-485 communication control output.																
52	Output control for communication cards	Control the output through the communication cards (CMM-PD02, CMM-DN02, CMM-EIP02, CMM-COP02, CMM-EC02)																
		<table border="1"> <thead> <tr> <th>Physical terminal</th> <th>Setting of related parameters</th> <th>Attribute</th> <th>Corresponding Address</th> </tr> </thead> <tbody> <tr> <td>RY</td> <td>Pr.02-13 = 51</td> <td>RW</td> <td>bit 0 of 2640</td> </tr> <tr> <td>MO1</td> <td>Pr.02-16 = 51</td> <td>RW</td> <td>bit 3 of 2640</td> </tr> <tr> <td>MO2</td> <td>Pr.02-17 = 51</td> <td>RW</td> <td>bit 4 of 2640</td> </tr> </tbody> </table>	Physical terminal	Setting of related parameters	Attribute	Corresponding Address	RY	Pr.02-13 = 51	RW	bit 0 of 2640	MO1	Pr.02-16 = 51	RW	bit 3 of 2640	MO2	Pr.02-17 = 51	RW	bit 4 of 2640
		Physical terminal	Setting of related parameters	Attribute	Corresponding Address													
		RY	Pr.02-13 = 51	RW	bit 0 of 2640													
MO1	Pr.02-16 = 51	RW	bit 3 of 2640															
MO2	Pr.02-17 = 51	RW	bit 4 of 2640															
53	Fire mode indication	Activates when MI setting 58 or 59 is enabled.																
66	SO output logic A	<table border="1"> <thead> <tr> <th rowspan="2">Status of the drive</th> <th colspan="2">Status of the safety output</th> </tr> <tr> <th>Status A (MO = 66)</th> <th>Status B (MO = 68)</th> </tr> </thead> <tbody> <tr> <td>Normal</td> <td>Broken circuit (open)</td> <td>Short circuit (closed)</td> </tr> </tbody> </table>	Status of the drive	Status of the safety output		Status A (MO = 66)	Status B (MO = 68)	Normal	Broken circuit (open)	Short circuit (closed)								
		Status of the drive		Status of the safety output														
Status A (MO = 66)	Status B (MO = 68)																	
Normal	Broken circuit (open)	Short circuit (closed)																
68	SO output logic B	<table border="1"> <tbody> <tr> <td>STO</td> <td>Short circuit (closed)</td> <td>Broken circuit (open)</td> </tr> <tr> <td>STL1–STL3</td> <td>Short circuit (closed)</td> <td>Broken circuit (open)</td> </tr> </tbody> </table>	STO	Short circuit (closed)	Broken circuit (open)	STL1–STL3	Short circuit (closed)	Broken circuit (open)										
		STO	Short circuit (closed)	Broken circuit (open)														
STL1–STL3	Short circuit (closed)	Broken circuit (open)																
67	Analog input level reached	The multi-function output terminals operate when the analog input level is between the high level and the low level. Pr.03-44: Select one of the analog input channels (AVI, ACI) to be compared. Pr.03-45: The high level for the analog input, default is 50 %. Pr.03-46: The low level for the analog input, default is 10 %. If analog input > Pr.03-45, the multi-function output terminal operates. If analog input < Pr.03-46, the multi-function output terminal stops output.																
73	Over-torque 3	Activates when over-torque is detected. Pr.14-75 sets the over-torque detection level. Pr.14-76 sets the over-torque detection time (refer to Pr.14-74–14-76).																

Settings	Functions	Descriptions
74	Over-torque 4	Activates when over-torque is detected. Pr.14-78 sets the over-torque detection level. Pr.14-79 sets the over-torque detection time (refer to Pr.14-77–14-79).
75	Forward RUN status	When the drive runs FWD, the output terminal for forward running is closed; when the drive stops, the output terminal for forward running is open.
76	Reverse RUN status	When the drive runs REV, the output terminal for reverse running is closed; when the drive stops, the output terminal for reverse running is open.

02-18 Multi-function Output Direction Default: 0000h

Settings 0000h–FFFFh (0:N.O.; 1:N.C.)

This parameter is in hexadecimal.

This parameter is set by a bit. If the bit is 1, the corresponding multi-function output acts in an opposite way.

Example:

Assume Pr.02-13 = 1 (indication when the drive is operating). If the output is positive, and the bit is set to 0, then Relay is ON when the drive runs and is OFF when the drive stops. On the contrary, if the output is negative, and the bit is set to 1, then the Relay is OFF when the drive runs and is ON when the drive stops.

bit 4	bit 3	bit 2	bit 1	bit 0
MO2	MO1	Reserved	Reserved	RY

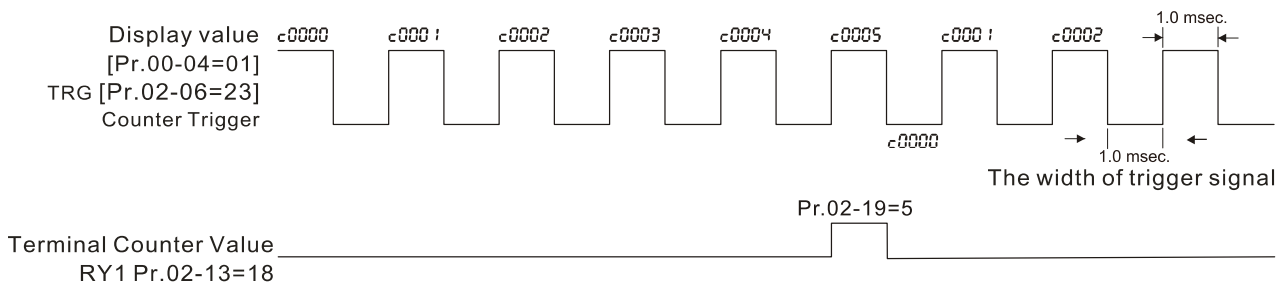
02-19 Terminal Counting Value Reached (returns to 0) Default: 0

Settings 0–65500

The counting function is enabled when Pr.02-19 ≠ 0.

You can set the input point for the counter using the multi-function terminal MI6 as a trigger terminal (set Pr.02-06 to 23). When counting is completed, the specified multi-function output terminal is activated (Pr.02-13, Pr.02-16, or Pr.02-17 is set to 18).

The timing diagram below shows that when counting to 5, RY1 activates and displays 0.



The timing diagram of the external counting terminals and the counting value reached

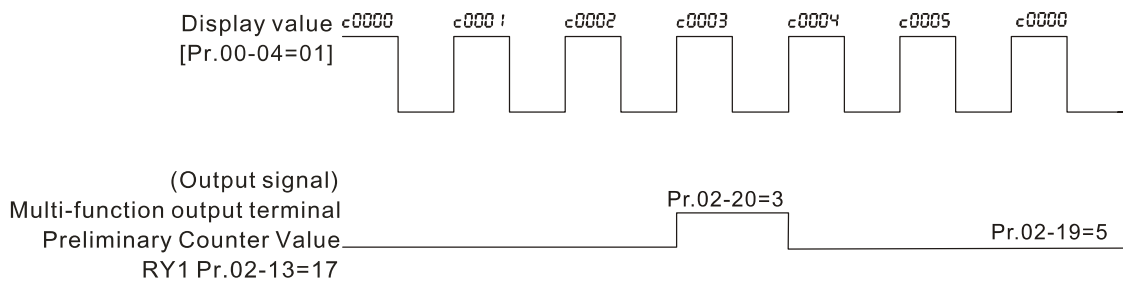
02-20 Preliminary Counting Value Reached (does not return to 0)

Default: 0

Settings 0–65500

- 📖 Use this parameter with Pr.02-19.
- 📖 When the count value counts from 1 to reach this value, the corresponding multi-function output terminal is activated (Pr.02-13, Pr.02-16, or Pr.02-17 is set to 17) and keeps counting to the last count value.
- 📖 You can use this parameter as the end of counting to make the drive run from the low speed to stop.

The timing diagram is RY1 activates when the count value is three, and the display returns to zero when counts to five:



The timing diagram of the external counting terminals and the counting value reached

02-21 Digital Output Gain (DFM)

Default: 1

Settings 1–55

- 📖 Sets the signal for the digital output terminals (DFM-DCM) and the digital frequency output (pulse, work period=50 %). The output pulse per second = output frequency X Pr.02-21.

02-22 Desired Frequency Reached 1

Default: 60.00 / 50.00

Settings 0.00–599.00 Hz

02-23 The Width of the Desired Frequency Reached 1

Default: 2.00

Settings 0.00–599.00 Hz

02-24 Desired Frequency Reached 2

Default: 60.00 / 50.00

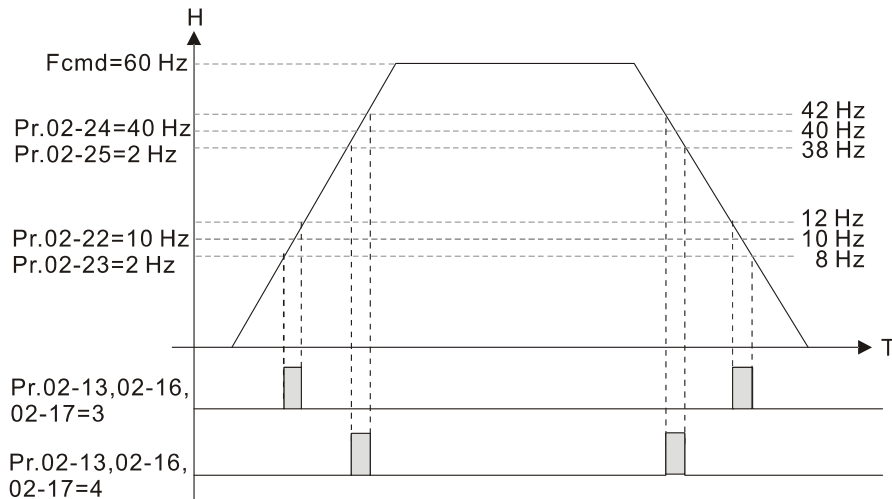
Settings 0.00–599.00 Hz

02-25 The Width of the Desired Frequency Reached 2

Default: 2.00

Settings 0.00–599.00 Hz

- 📖 Once the output speed (frequency) reaches the desired speed (frequency), if the corresponding multi-function output terminal is set to 3 or 4 (Pr.02-13, Pr.02-16, and Pr.02-17), this multi-function output terminal is “closed”.



02-34 Output Frequency Setting for Multi-function Output Terminal

Default: 0.00

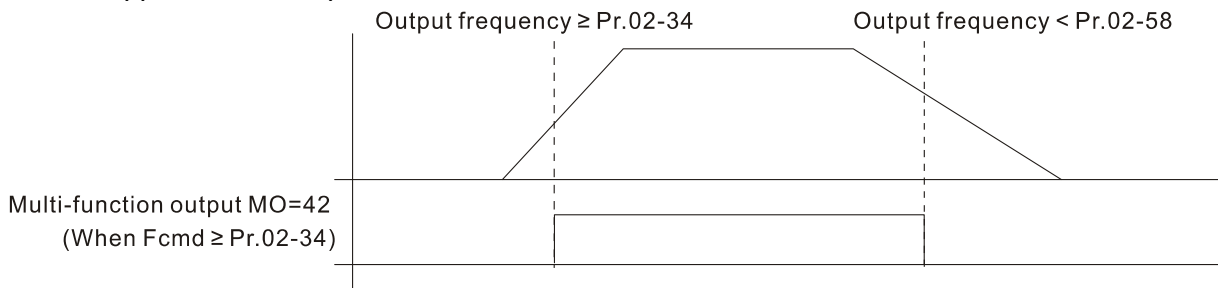
Settings 0.00–599.00 Hz

02-58 Multi-function Output Terminal (Function 42): Brake Frequency Check Point

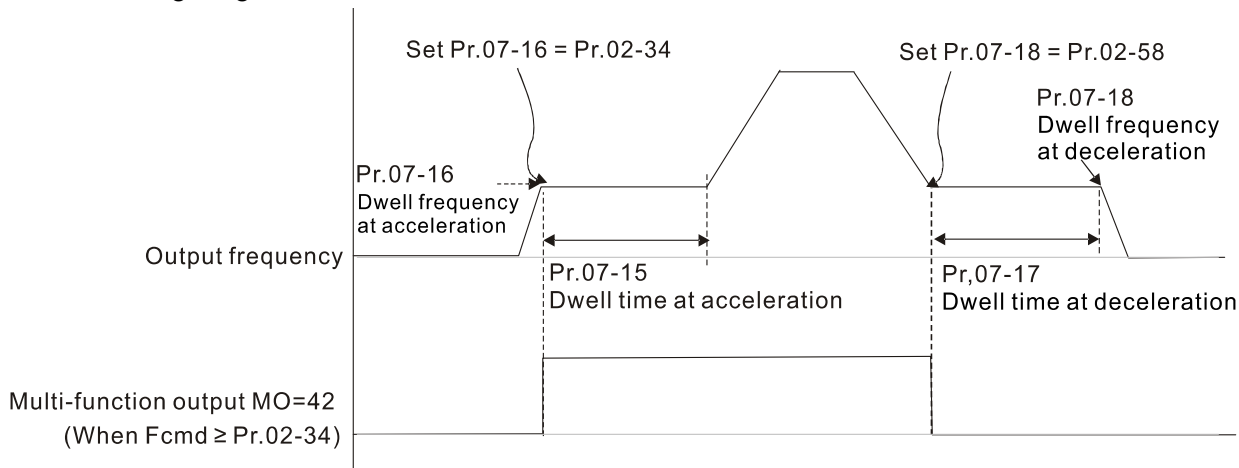
Default: 0.00

Settings 0.00–599.00 Hz

- 📖 Use Pr.02-34 with Pr.02-58 for the crane function and select the crane function MO #42 to set the multi-function outputs Pr.02-13, Pr.02-16, and Pr.02-17.
- 📖 When the output frequency (H) is lower than the setting for Pr.02-58, multi-function output terminal setting 42 stops after the command breaks off.
- 📖 Pr.02-58 must be lower than Pr.02-34 when using MO=42.
- 📖 Crane application example:



- 📖 It is recommended that you use this with the Dwell acceleration/deceleration function as shown in the following diagram.



02-35 External Operation Control Selection after Reset and Reboot

Default: 0

Settings 0: Disable

1: Drive runs if the RUN command remains after reset or reboot.

Setting value 1:

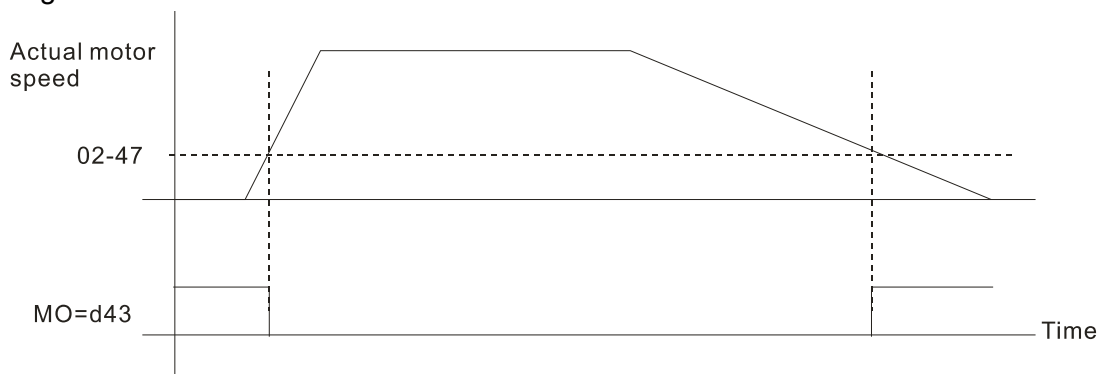
- 📖 Situation 1: After the drive is powered on and the external terminal for RUN stays ON, the drive runs.
- 📖 Situation 2: After clearing a fault once a fault is detected and the external terminal for RUN stays ON, you can run the drive by pressing the RESET key.

02-47 Motor Zero-speed Level

Default: 0

Settings 0–65535 rpm

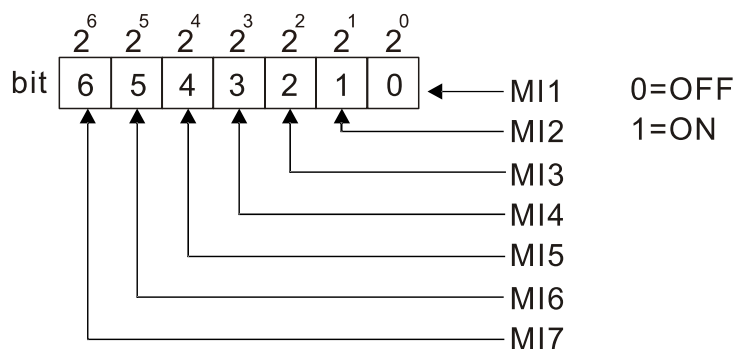
- 📖 Use this parameter with MO=43 and set Pr.10-00=5.
- 📖 Use this parameter to set the motor's speed level at zero-speed. When the actual speed is lower than this setting, the corresponding multi-function output terminal setting 43 is ON, as shown in the diagram below.



02-50 Display the Status of Multi-function Input Terminal

Default: Read only

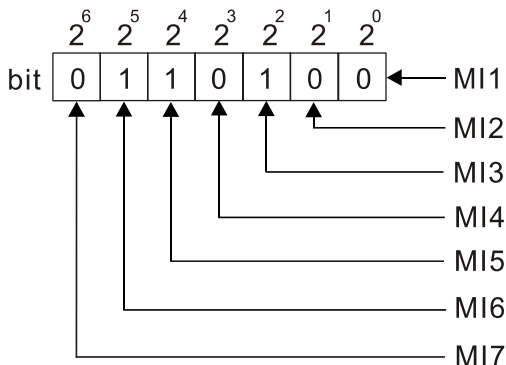
Settings Monitor the status of the Multi-function Input Terminal



NOTE			
$2^6 = 64$	$2^5 = 32$	$2^4 = 16$	
$2^3 = 8$	$2^2 = 4$	$2^1 = 2$	$2^0 = 1$

📖 Example:

When Pr.02-50 displays 0034h (hex) (that is, the value is 52 (decimal) and 0110100 (binary)), it means that MI3, MI5 and MI6 are ON.



0=OFF
 1=ON

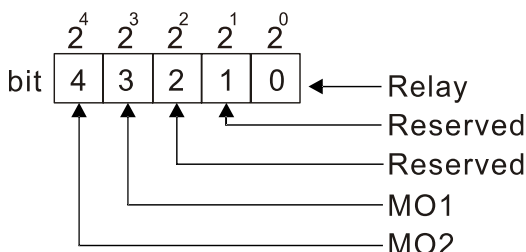
Setting
 = bit 5 x 2^5 + bit 4 x 2^4 + bit 2 x 2^2
 = $1 \times 2^5 + 1 \times 2^4 + 1 \times 2^2$
 = 32 + 16 + 4
 = 52

NOTE			
$2^6 = 64$	$2^5 = 32$	$2^4 = 16$	
$2^3 = 8$	$2^2 = 4$	$2^1 = 2$	$2^0 = 1$

02-51 Display the Status of Multi-function Output Terminal

Default: Read only

Settings Monitor the status of the Multi-function Output Terminal

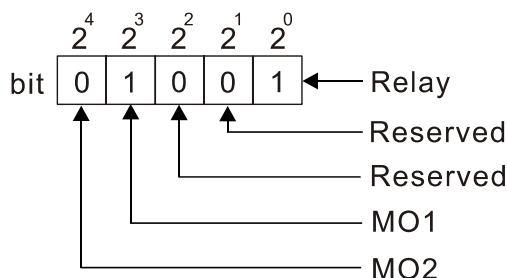


0=OFF
 1=ON

NOTE		
$2^4 = 16$	$2^3 = 8$	$2^2 = 4$
$2^1 = 2$	$2^0 = 1$	

Example:

When Pr.02-51 displays 0009h (hex) (that is, the value is 9 (decimal) and 01001 (binary)), it means that Relay and MO1 are ON.



0=OFF
 1=ON

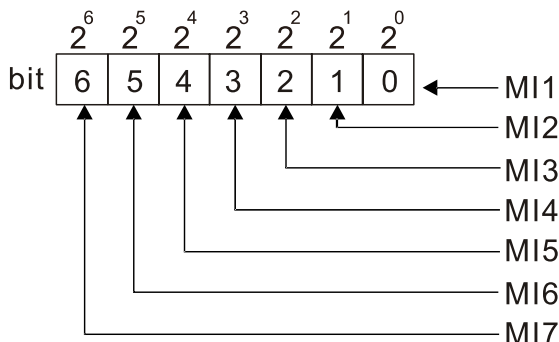
Setting
 = bit 3 x 2^3 + bit 0 x 2^0
 = $1 \times 2^3 + 1 \times 2^0$
 = 8 + 1
 = 9

NOTE		
$2^4 = 16$	$2^3 = 8$	$2^2 = 4$
$2^1 = 2$	$2^0 = 1$	

02-52 Display the External Multi-function Input Terminals Used by PLC

Default: Read only

Settings Monitor the status of PLC input terminals

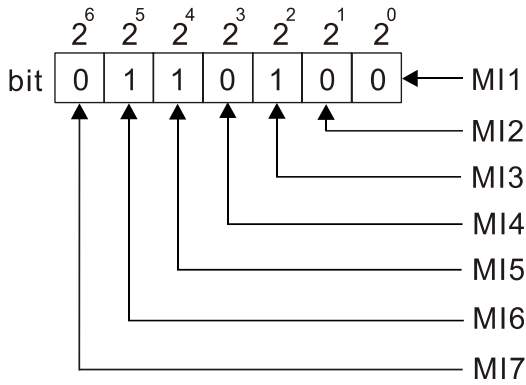


0=OFF
 1=ON

NOTE		
$2^6 = 64$	$2^5 = 32$	$2^4 = 16$
$2^3 = 8$	$2^2 = 4$	$2^1 = 2$
		$2^0 = 1$

Example:

When Pr.02-52 displays 0034h (hex) (that is, the value is 52 (decimal) and 0110100 (binary)), it means that MI3, MI5 and MI6 are used by PLC.



0=OFF
1=ON

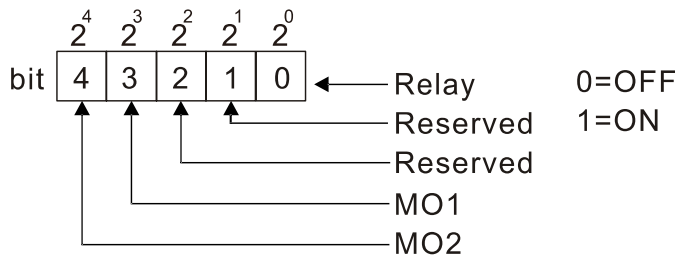
Setting
 $= \text{bit } 5 \times 2^5 + \text{bit } 4 \times 2^4 + \text{bit } 2 \times 2^2$
 $= 1 \times 2^5 + 1 \times 2^4 + 1 \times 2^2$
 $= 32 + 16 + 4$
 $= 52$

NOTE			
$2^6 = 64$	$2^5 = 32$	$2^4 = 16$	
$2^3 = 8$	$2^2 = 4$	$2^1 = 2$	$2^0 = 1$

02-53 Display the External Multi-function Output Terminals Used by PLC

Default: Read only

Settings Monitor the status of PLC output terminals

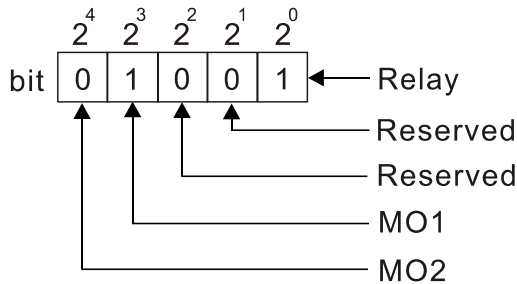


0=OFF
1=ON

NOTE		
$2^4 = 16$	$2^3 = 8$	$2^2 = 4$
$2^1 = 2$	$2^0 = 1$	

Example:

When Pr.02-53 displays 0009h (hex) (that is, the value is 9 (decimal) and 01001 (binary)), it means that Relay and MO1 are used by PLC.



0=OFF
1=ON

Setting
 $= \text{bit } 3 \times 2^3 + \text{bit } 0 \times 2^0$
 $= 1 \times 2^3 + 1 \times 2^0$
 $= 8 + 1$
 $= 9$

NOTE		
$2^4 = 16$	$2^3 = 8$	$2^2 = 4$
$2^1 = 2$	$2^0 = 1$	

02-54 Display the Frequency Command Executed by External Terminal

Default: Read only

Settings 0.00–599.00 Hz (Read only)

When you set the source of the Frequency command as the external terminal, if LV or Fault occurs, the external terminal Frequency command is saved in this parameter.

02-78 Motor Deceleration Ratio

Default: 200.0

Settings 4.0–1000.0

02-79 Automatic Positioning Angle Setting




Default: 180.0

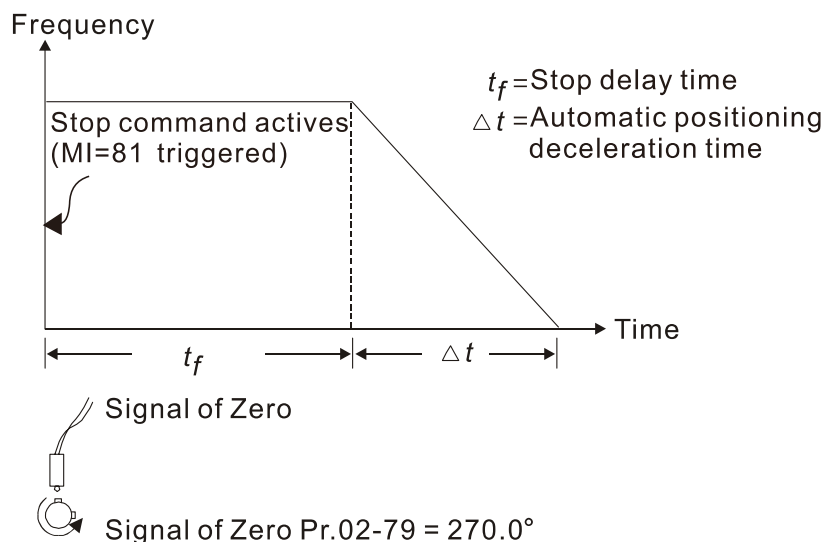
Settings 0.0–6480.0

02-80 Automatic Positioning Deceleration Time

Default: 0.00

Settings 0.00: Disable the function
0.01–100.00 sec.

-  Automatic positioning function is disabled when Pr.02-80=0.00.
-  Use this parameter with the multi-function input terminal setting 81 (Simple positioning zero point position signal input) to complete the positioning setting for application.
-  t_f automatically generates according to the positioning angle. $\Delta t = \text{Pr.02-80}$. The gross area ($t_f + \Delta t$) is the required distance of the positioning.



02-81 EF Activates when the Terminal Count Value Reached

Default: 0

Settings 0: Terminal count value reached, no EF displays (continues to operate)
1: Terminal count value reached, EF activates

02-82 Initial Frequency Command (F) Mode after Stop

Default: 0

Settings 0: Use current Frequency command
1: Use zero Frequency command
2: Refer to Pr.02-83 to set up

02-83 Initial Frequency Command (F) Setting after Stop

Default: 60.00

Settings 0.00–599.00 Hz

[This page intentionally left blank]

03 Analog Input / Output Parameters

✎ You can set this parameter during operation.

✎ **03-00** Analog Input Selection (AVI) Default: 1

✎ **03-01** Analog Input Selection (ACI) Default: 0

- Settings
- 0: No function
 - 1: Frequency command
 - 2: Torque command (torque limit under speed mode)
 - 3: Torque compensation command
 - 4: PID target value
 - 5: PID feedback signal
 - 6: Thermistor (PTC) input value
 - 7: Positive torque limit
 - 8: Negative torque limit
 - 9: Regenerative torque limit
 - 10: Positive / negative torque limit
 - 11: PT100 thermistor input value
 - 12: Auxiliary frequency input
 - 13: PID compensation value

📖 When you use analog input as the PID reference target input, you must set Pr.00-20 to 2 (external analog input).

Setting method 1: Pr.03-00–03-01 set 1 as PID reference target input.

Setting method 2: Pr.03-00–03-01 set 4 as PID reference target input.

If the setting value 1 and setting value 4 exist at the same time, the AVI input has highest priority to become the PID reference target input value.

📖 When you use analog input as the PID compensation value, you must set Pr.08-16 to 1 (source of PID compensation value is analog input). You can see the compensation value with Pr.08-17.

📖 When using the Frequency command, the corresponding value for 0–10 V / 4–20 mA is 0–maximum operation frequency (Pr.01-00).

📖 When using the torque command, the corresponding value for 0–10 V / 4–20 mA is 0–maximum output torque (Pr.11-27).

📖 When using torque compensation, the corresponding value for 0–10 V / 4–20 mA is 0–the motor's rated torque.

📖 If the settings for Pr.03-00–Pr.03-01 are the same, the AVI input has priority over the ACI input.

✎ **03-03** Analog Input Bias (AVI) Default: 0

Settings -100.0–100.0 %

📖 Sets the corresponding AVI voltage for the external analog input 0.

↗ **03-04** Analog Input Bias (ACI) Default: 0

Settings -100.0–100.0 %

📖 Sets the corresponding ACI current for the external analog input 0.

↗ **03-07** Positive / Negative Bias Mode (AVI)

↗ **03-08** Positive / Negative Bias Mode (ACI) Default: 0

- Settings
- 0: No bias
 - 1: Lower than or equal to bias
 - 2: Greater than or equal to bias
 - 3: The absolute value of the bias voltage while serving as the center
 - 4: Bias serves as the center

📖 Using negative bias to set the frequency greatly reduces the noise interference. In a noisy environment, do NOT use signals less than 1 V to set the drive's operation frequency.

↗ **03-10** Reverse Setting when Analog Signal Input is Negative Frequency Default: 0

- Settings
- 0: Negative frequency input is not allowed. The digital keypad or external terminal controls the forward and reverse direction.
 - 1: Negative frequency input is allowed. Positive frequency = run in a forward direction; negative frequency = run in a reverse direction. The digital keypad or external terminal control cannot change the running direction.

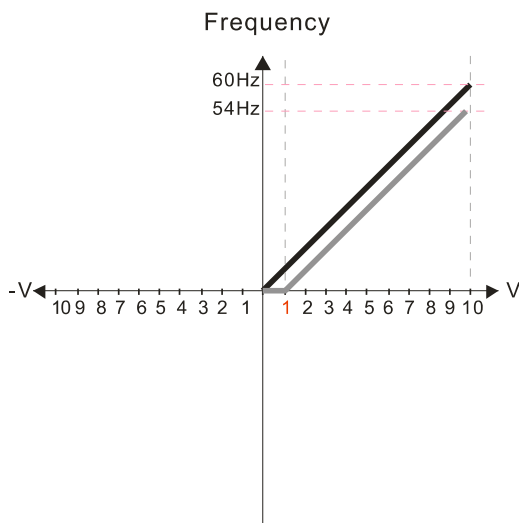
📖 Use this parameter only for AVI or ACI analog input.

📖 Requirements for negative frequency (reverse running)

1. Pr.03-10 = 1
2. Bias mode = Bias serves as the center
3. Corresponded analog input gain < 0 (negative); this makes the input frequency negative. In using the analog input addition function (Pr.03-18=1), when the analog signal is negative after the addition, you can set this parameter to allow or not allow the reverse running. The result after adding depends on the "Requirements for negative frequency (reverse running)".

In the diagram below: Black line: Curve with no bias. Gray line: curve with bias

Diagram 01



Pr.03-03=10%
Pr.03-07-03-08 (Positive/Negative Bias Mode)

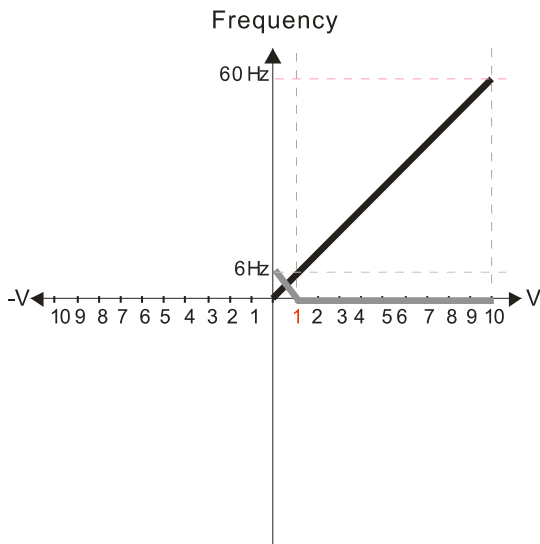
- 0: No bias
- 1: Lower than or equal bias
- 2: Greater than or equal to bias
- 3: The absolute value of the bias voltage while serving as the center
- 4: Bias serves as the center

Pr.03-10 (Analog Frequency Command for Reverse Run)

- 0: Negative frequency is not valid. Forward and reverse run is controlled by digital keyboard or external terminals.
- 1: Negative frequency is valid. Positive frequency = forward run; negative frequency = reverse run. Direction can not be switched by digital keypad or external terminal control.

Pr.03-11 Analog input Gain (AVI) = 100%

Diagram 02



Pr.03-03=10%
Pr.03-07-03-08 (Positive/Negative Bias Mode)

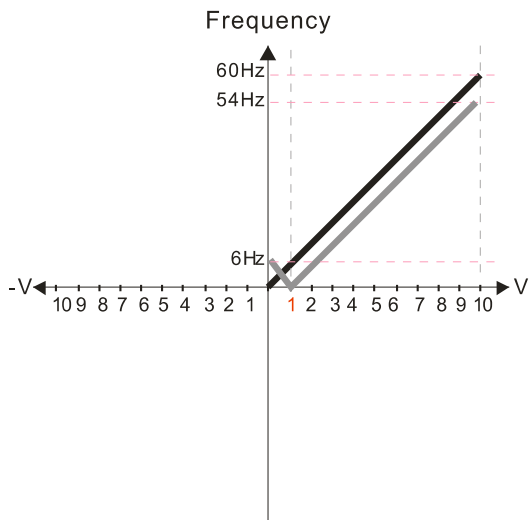
- 0: No bias
- 1: Lower than or equal bias
- 2: Greater than or equal to bias
- 3: The absolute value of the bias voltage while serving as the center
- 4: Bias serves as the center

Pr.03-10 (Analog Frequency Command for Reverse Run)

- 0: Negative frequency is not valid. Forward and reverse run is controlled by digital keyboard or external terminals.
- 1: Negative frequency is valid. Positive frequency = forward run; negative frequency = reverse run. Direction can not be switched by digital keypad or external terminal control.

Pr.03-11 Analog input Gain (AVI) = 100%

Diagram 03



Pr.03-03=10%
Pr.03-07-03-08 (Positive/Negative Bias Mode)

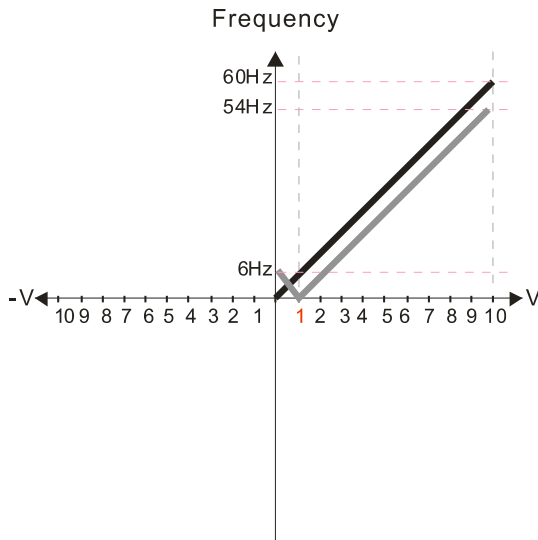
- 0: No bias
- 1: Lower than or equal bias
- 2: Greater than or equal to bias
- 3: The absolute value of the bias voltage while serving as the center
- 4: Bias serves as the center

Pr.03-10 (Analog Frequency Command for Reverse Run)

- 0: Negative frequency is not valid. Forward and reverse run is controlled by digital keyboard or external terminals.
- 1: Negative frequency is valid. Positive frequency = forward run; negative frequency = reverse run. Direction can not be switched by digital keypad or external terminal control.

Pr.03-11 Analog input Gain (AVI) = 100%

Diagram 04



Pr.03-03=10%
Pr.03-07-03-08 (Positive/Negative Bias Mode)

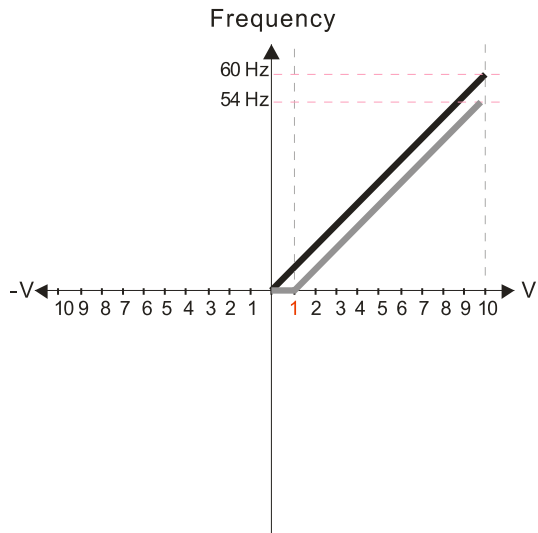
- 0: No bias
- 1: Lower than or equal bias
- 2: Greater than or equal to bias
- 3: The absolute value of the bias voltage while serving as the center
- 4: Bias serves as the center

Pr.03-10 (Analog Frequency Command for Reverse Run)

- 0: Negative frequency is not valid. Forward and reverse run is controlled by digital keyboard or external terminals.
- 1: Negative frequency is valid. Positive frequency = forward run; negative frequency = reverse run. Direction can not be switched by digital keypad or external terminal control.

Pr.03-11 Analog input Gain (AVI) = 100%

Diagram 05



Pr.03-03=10%
Pr.03-07-03-08 (Positive/Negative Bias Mode)

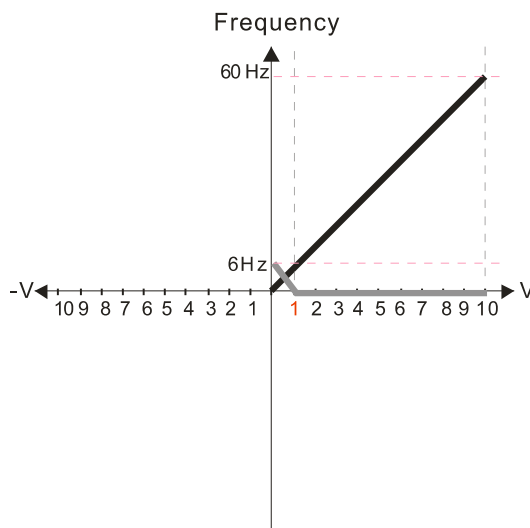
- 0: No bias
- 1: Lower than or equal bias
- 2: Greater than or equal to bias
- 3: The absolute value of the bias voltage while serving as the center
- 4: Bias serves as the center

Pr.03-10 (Analog Frequency Command for Reverse Run)

- 0: Negative frequency is not valid. Forward and reverse run is controlled by digital keyboard or external terminals.
- 1: Negative frequency is valid. Positive frequency = forward run; negative frequency = reverse run. Direction can not be switched by digital keypad or external terminal control.

Pr.03-11 Analog input Gain (AVI) = 100%

Diagram 06



Pr.03-03=10%
Pr.03-07-03-08 (Positive/Negative Bias Mode)

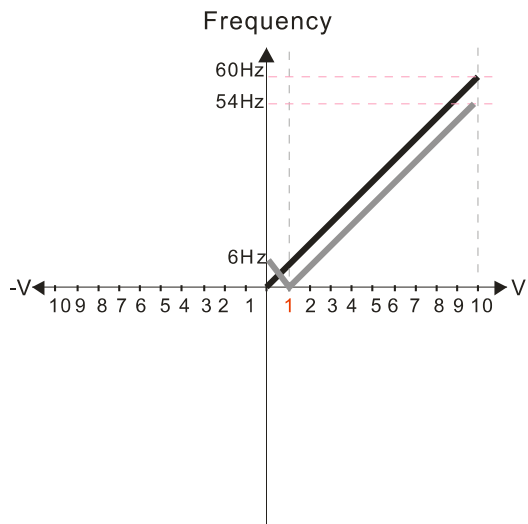
- 0: No bias
- 1: Lower than or equal bias
- 2: Greater than or equal to bias
- 3: The absolute value of the bias voltage while serving as the center
- 4: Bias serves as the center

Pr.03-10 (Analog Frequency Command for Reverse Run)

- 0: Negative frequency is not valid. Forward and reverse run is controlled by digital keyboard or external terminals.
- 1: Negative frequency is valid. Positive frequency = forward run; negative frequency = reverse run. Direction can not be switched by digital keypad or external terminal control.

Pr.03-11 Analog input Gain (AVI) = 100%

Diagram 07



Pr.03-03=10%
Pr.03-07-03-08 (Positive/Negative Bias Mode)

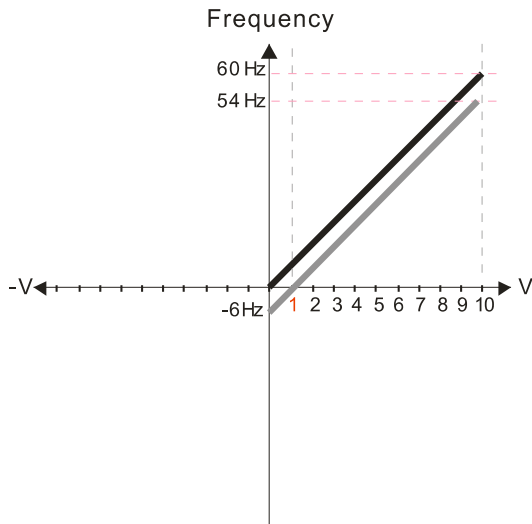
- 0: No bias
- 1: Lower than or equal bias
- 2: Greater than or equal to bias
- 3: The absolute value of the bias voltage while serving as the center
- 4: Bias serves as the center

Pr.03-10 (Analog Frequency Command for Reverse Run)

- 0: Negative frequency is not valid. Forward and reverse run is controlled by digital keyboard or external terminals.
- 1: Negative frequency is valid. Positive frequency = forward run; negative frequency = reverse run. Direction can not be switched by digital keypad or external terminal control.

Pr.03-11 Analog input Gain (AVI) = 100%

Diagram 08



Pr.03-03=10%
Pr.03-07-03-08 (Positive/Negative Bias Mode)

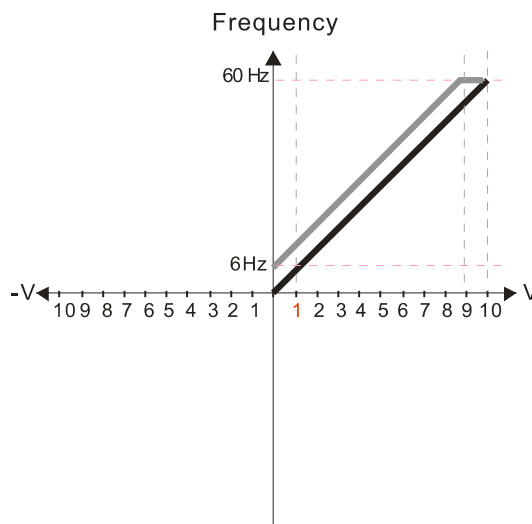
- 0: No bias
- 1: Lower than or equal bias
- 2: Greater than or equal to bias
- 3: The absolute value of the bias voltage while serving as the center
- 4: Bias serves as the center

Pr.03-10 (Analog Frequency Command for Reverse Run)

- 0: Negative frequency is not valid. Forward and reverse run is controlled by digital keyboard or external terminals.
- 1: Negative frequency is valid. Positive frequency = forward run; negative frequency = reverse run. Direction can not be switched by digital keypad or external terminal control.

Pr.03-11 Analog input Gain (AVI) = 100%

Diagram 09



Pr.03-03=-10%
Pr.03-07-03-08 (Positive/Negative Bias Mode)

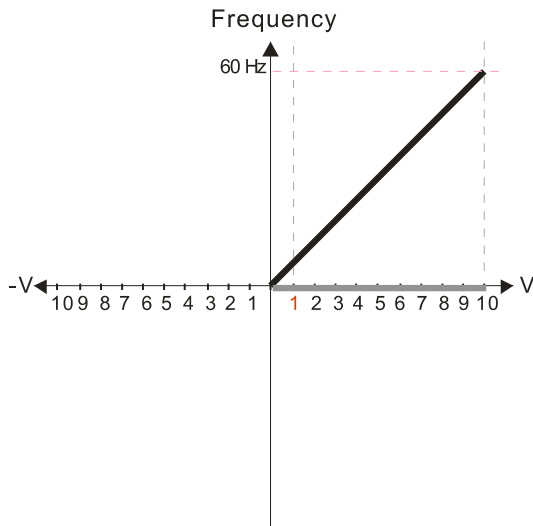
- 0: No bias
- 1: Lower than or equal bias
- 2: Greater than or equal to bias
- 3: The absolute value of the bias voltage while serving as the center
- 4: Bias serves as the center

Pr.03-10 (Analog Frequency Command for Reverse Run)

- 0: Negative frequency is not valid. Forward and reverse run is controlled by digital keyboard or external terminals.
- 1: Negative frequency is valid. Positive frequency = forward run; negative frequency = reverse run. Direction can not be switched by digital keypad or external terminal control.

Pr.03-11 Analog input Gain (AVI) = 100%

Diagram 10



Pr.03-03=-10%
Pr.03-07-03-08 (Positive/Negative Bias Mode)

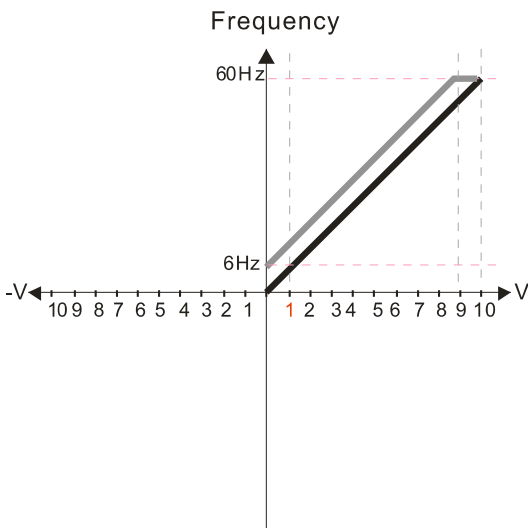
- 0: No bias
- 1: Lower than or equal bias
- 2: Greater than or equal to bias
- 3: The absolute value of the bias voltage while serving as the center
- 4: Bias serves as the center

Pr.03-10 (Analog Frequency Command for Reverse Run)

- 0: Negative frequency is not valid. Forward and reverse run is controlled by digital keyboard or external terminals.
- 1: Negative frequency is valid. Positive frequency = forward run; negative frequency = reverse run. Direction can not be switched by digital keypad or external terminal control.

Pr.03-11 Analog input Gain (AVI) = 100%

Diagram 11



Pr.03-03=-10%
Pr.03-07-03-08 (Positive/Negative Bias Mode)

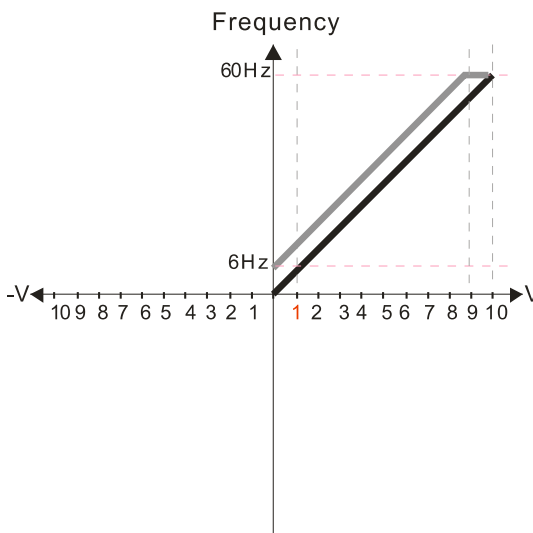
- 0: No bias
- 1: Lower than or equal bias
- 2: Greater than or equal to bias
- 3: The absolute value of the bias voltage while serving as the center
- 4: Bias serves as the center

Pr.03-10 (Analog Frequency Command for Reverse Run)

- 0: Negative frequency is not valid. Forward and reverse run is controlled by digital keyboard or external terminals.
- 1: Negative frequency is valid. Positive frequency = forward run; negative frequency = reverse run. Direction can not be switched by digital keypad or external terminal control.

Pr.03-11 Analog input Gain (AVI) = 100%

Diagram 12



Pr.03-03=-10%
Pr.03-07-03-08 (Positive/Negative Bias Mode)

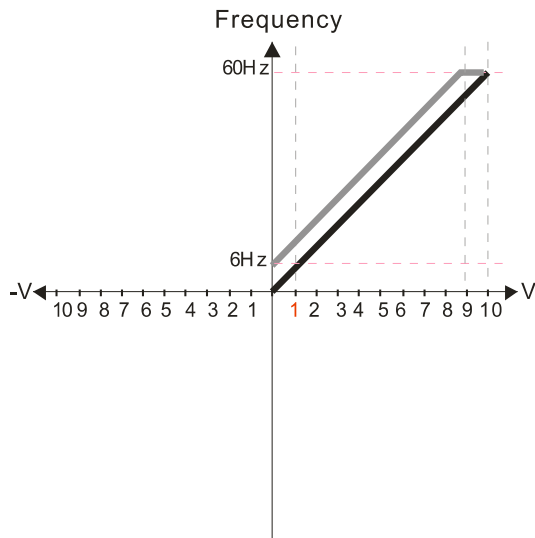
- 0: No bias
- 1: Lower than or equal bias
- 2: Greater than or equal to bias
- 3: The absolute value of the bias voltage while serving as the center
- 4: Bias serves as the center

Pr.03-10 (Analog Frequency Command for Reverse Run)

- 0: Negative frequency is not valid. Forward and reverse run is controlled by digital keyboard or external terminals.
- 1: Negative frequency is valid. Positive frequency = forward run; negative frequency = reverse run. Direction can not be switched by digital keypad or external terminal control.

Pr.03-11 Analog input Gain (AVI) = 100%

Diagram 13



Pr.03-03=-10%
Pr.03-07-03-08 (Positive/Negative Bias Mode)

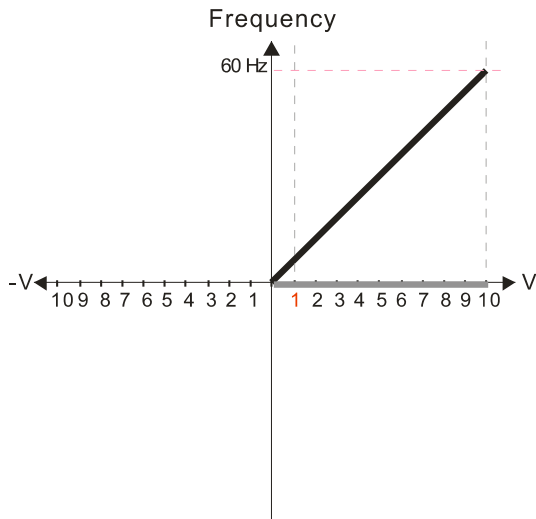
- 0: No bias
- 1: Lower than or equal bias
- 2: Greater than or equal to bias
- 3: The absolute value of the bias voltage while serving as the center
- 4: Bias serves as the center

Pr.03-10 (Analog Frequency Command for Reverse Run)

- 0: Negative frequency is not valid. Forward and reverse run is controlled by digital keyboard or external terminals.
- 1: Negative frequency is valid. Positive frequency = forward run; negative frequency = reverse run. Direction can not be switched by digital keypad or external terminal control.

Pr.03-11 Analog input Gain (AVI) = 100%

Diagram 14



Pr.03-03=-10%
Pr.03-07-03-08 (Positive/Negative Bias Mode)

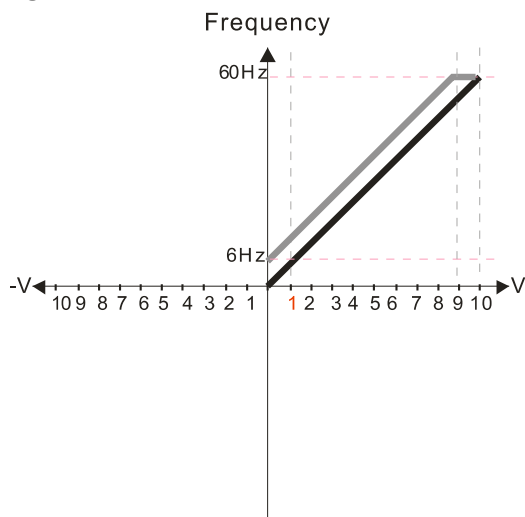
- 0: No bias
- 1: Lower than or equal bias
- 2: Greater than or equal to bias
- 3: The absolute value of the bias voltage while serving as the center
- 4: Bias serves as the center

Pr.03-10 (Analog Frequency Command for Reverse Run)

- 0: Negative frequency is not valid. Forward and reverse run is controlled by digital keyboard or external terminals.
- 1: Negative frequency is valid. Positive frequency = forward run; negative frequency = reverse run. Direction can not be switched by digital keypad or external terminal control.

Pr.03-11 Analog input Gain (AVI) = 100%

Diagram 15



Pr.03-03=-10%
Pr.03-07-03-08 (Positive/Negative Bias Mode)

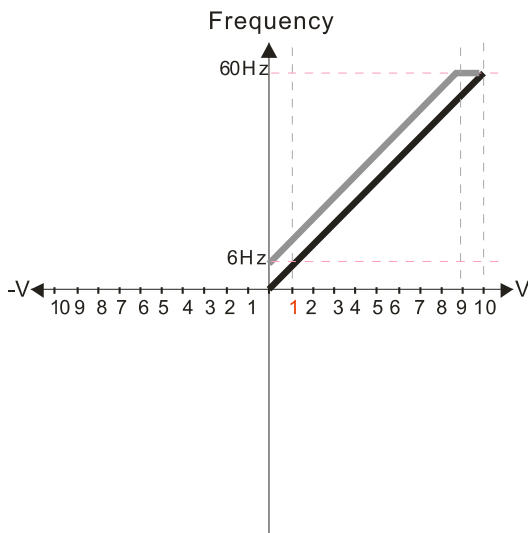
- 0: No bias
- 1: Lower than or equal bias
- 2: Greater than or equal to bias
- 3: The absolute value of the bias voltage while serving as the center
- 4: Bias serves as the center

Pr.03-10 (Analog Frequency Command for Reverse Run)

- 0: Negative frequency is not valid. Forward and reverse run is controlled by digital keyboard or external terminals.
- 1: Negative frequency is valid. Positive frequency = forward run; negative frequency = reverse run. Direction can not be switched by digital keypad or external terminal control.

Pr.03-11 Analog input Gain (AVI) = 100%

Diagram 16



Pr.03-03=-10%
Pr.03-07-03-08 (Positive/Negative Bias Mode)

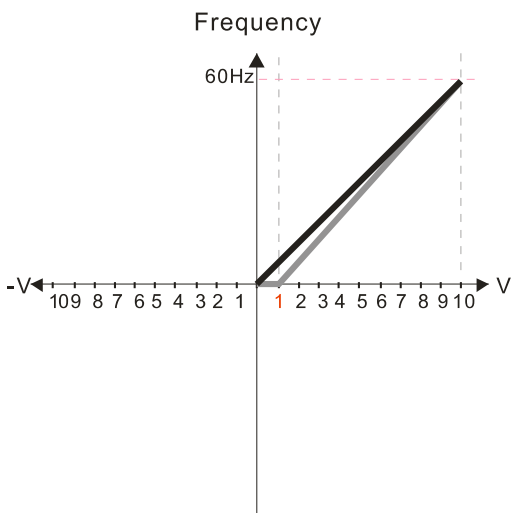
- 0: No bias
- 1: Lower than or equal bias
- 2: Greater than or equal to bias
- 3: The absolute value of the bias voltage while serving as the center
- 4: Bias serves as the center

Pr.03-10 (Analog Frequency Command for Reverse Run)

- 0: Negative frequency is not valid. Forward and reverse run is controlled by digital keyboard or external terminals.
- 1: Negative frequency is valid. Positive frequency = forward run; negative frequency = reverse run. Direction can not be switched by digital keypad or external terminal control.

Pr.03-11 Analog input Gain (AVI) = 100%

Diagram 17



Pr.03-03=10%
Pr.03-07-03-08 (Positive/Negative Bias Mode)

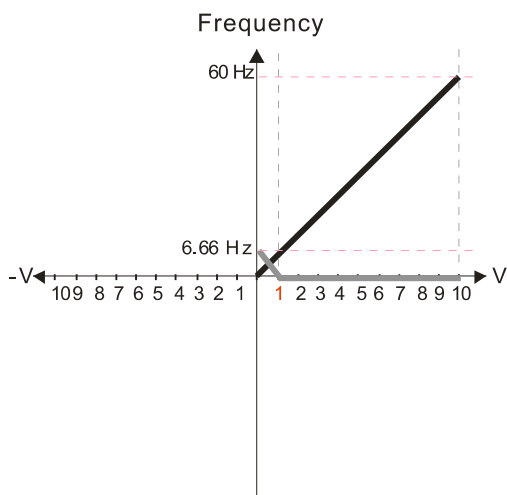
- 0: No bias
- 1: Lower than or equal bias
- 2: Greater than or equal to bias
- 3: The absolute value of the bias voltage while serving as the center
- 4: Bias serves as the center

Pr.03-10 (Analog Frequency Command for Reverse Run)

- 0: Negative frequency is not valid. Forward and reverse run is controlled by digital keyboard or external terminals.
- 1: Negative frequency is valid. Positive frequency = forward run; negative frequency = reverse run. Direction can not be switched by digital keypad or external terminal control.

Pr.03-11 Analog input Gain (AVI) = 111.1%
 $10/9 = 111.1\%$

Diagram 18



Pr.03-03=10%
Pr.03-07-03-08 (Positive/Negative Bias Mode)

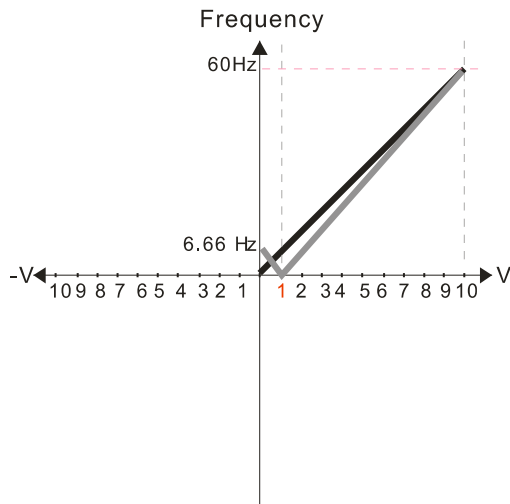
- 0: No bias
- 1: Lower than or equal bias
- 2: Greater than or equal to bias
- 3: The absolute value of the bias voltage while serving as the center
- 4: Bias serves as the center

Pr.03-10 (Analog Frequency Command for Reverse Run)

- 0: Negative frequency is not valid. Forward and reverse run is controlled by digital keyboard or external terminals.
- 1: Negative frequency is valid. Positive frequency = forward run; negative frequency = reverse run. Direction can not be switched by digital keypad or external terminal control.

Pr.03-11 Analog input Gain (AVI) = 111.1%
 $10/9 = 111.1\%$

Diagram 19



Pr.03-03=10%
Pr.03-07-03-08 (Positive/Negative Bias Mode)

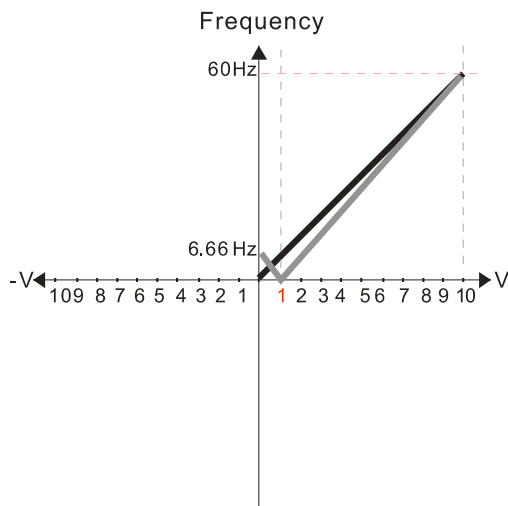
- 0: No bias
- 1: Lower than or equal bias
- 2: Greater than or equal to bias
- 3: The absolute value of the bias voltage while serving as the center
- 4: Bias serves as the center

Pr.03-10 (Analog Frequency Command for Reverse Run)

- 0: Negative frequency is not valid. Forward and reverse run is controlled by digital keyboard or external terminals.
- 1: Negative frequency is valid. Positive frequency = forward run; negative frequency = reverse run. Direction can not be switched by digital keypad or external terminal control.

Pr.03-11 Analog input Gain (AVI) = 111.1%
10/9 = 111.1%

Diagram 20



Pr.03-03=10%
Pr.03-07-03-08 (Positive/Negative Bias Mode)

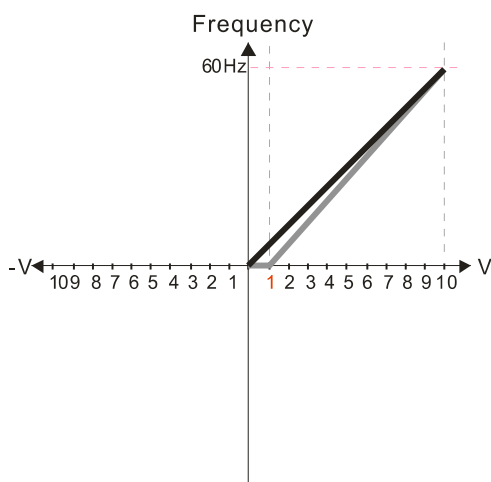
- 0: No bias
- 1: Lower than or equal bias
- 2: Greater than or equal to bias
- 3: The absolute value of the bias voltage while serving as the center
- 4: Bias serves as the center

Pr.03-10 (Analog Frequency Command for Reverse Run)

- 0: Negative frequency is not valid. Forward and reverse run is controlled by digital keyboard or external terminals.
- 1: Negative frequency is valid. Positive frequency = forward run; negative frequency = reverse run. Direction can not be switched by digital keypad or external terminal control.

Pr.03-11 Analog input Gain (AVI) = 111.1%
10/9 = 111.1%

Diagram 21



Pr.03-03=10%
Pr.03-07-03-08 (Positive/Negative Bias Mode)

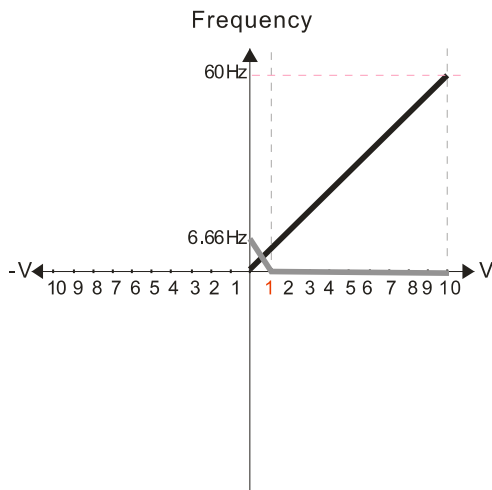
- 0: No bias
- 1: Lower than or equal bias
- 2: Greater than or equal to bias
- 3: The absolute value of the bias voltage while serving as the center
- 4: Bias serves as the center

Pr.03-10 (Analog Frequency Command for Reverse Run)

- 0: Negative frequency is not valid. Forward and reverse run is controlled by digital keyboard or external terminals.
- 1: Negative frequency is valid. Positive frequency = forward run; negative frequency = reverse run. Direction can not be switched by digital keypad or external terminal control.

Pr.03-11 Analog input Gain (AVI) = 111.1%
10/9 = 111.1%

Diagram 22



Pr.03-03=10%
Pr.03-07-03-08 (Positive/Negative Bias Mode)

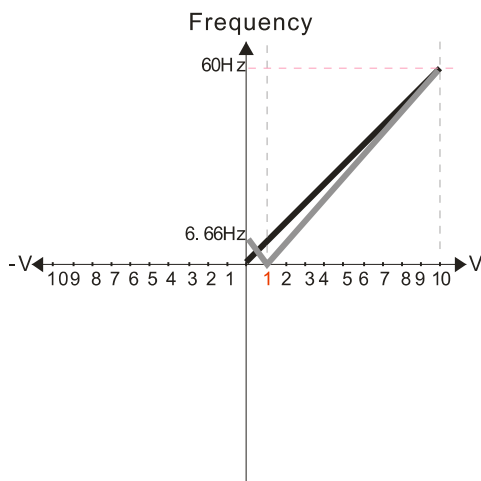
- 0: No bias
- 1: Lower than or equal bias
- 2: Greater than or equal to bias
- 3: The absolute value of the bias voltage while serving as the center
- 4: Bias serves as the center

Pr.03-10 (Analog Frequency Command for Reverse Run)

- 0: Negative frequency is not valid. Forward and reverse run is controlled by digital keyboard or external terminals.
- 1: Negative frequency is valid. Positive frequency = forward run; negative frequency = reverse run. Direction can not be switched by digital keypad or external terminal control.

Pr.03-11 Analog input Gain (AVI) = 111.1%
 $10/9 = 111.1\%$

Diagram 23



Pr.03-03=10%
Pr.03-07-03-08 (Positive/Negative Bias Mode)

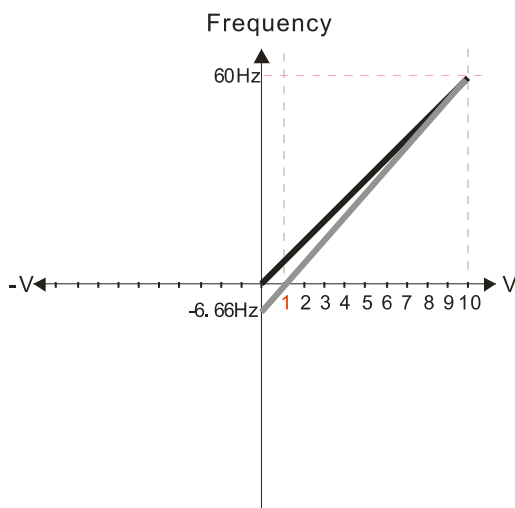
- 0: No bias
- 1: Lower than or equal bias
- 2: Greater than or equal to bias
- 3: The absolute value of the bias voltage while serving as the center
- 4: Bias serves as the center

Pr.03-10 (Analog Frequency Command for Reverse Run)

- 0: Negative frequency is not valid. Forward and reverse run is controlled by digital keyboard or external terminals.
- 1: Negative frequency is valid. Positive frequency = forward run; negative frequency = reverse run. Direction can not be switched by digital keypad or external terminal control.

Pr.03-11 Analog input Gain (AVI) = 111.1%
 $10/9 = 111.1\%$

Diagram 24



Pr.03-03=10%
Pr.03-07-03-08 (Positive/Negative Bias Mode)

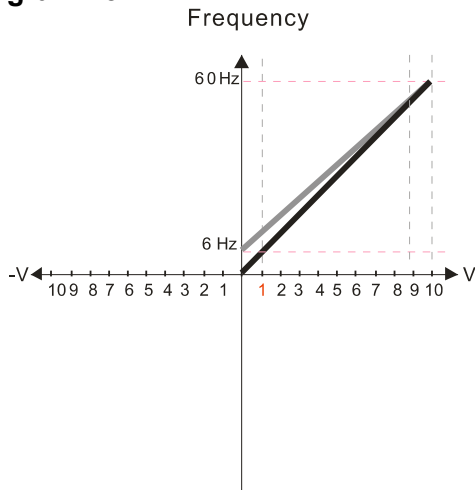
- 0: No bias
- 1: Lower than or equal bias
- 2: Greater than or equal to bias
- 3: The absolute value of the bias voltage while serving as the center
- 4: Bias serves as the center

Pr.03-10 (Analog Frequency Command for Reverse Run)

- 0: Negative frequency is not valid. Forward and reverse run is controlled by digital keyboard or external terminals.
- 1: Negative frequency is valid. Positive frequency = forward run; negative frequency = reverse run. Direction can not be switched by digital keypad or external terminal control.

Pr.03-11 Analog input Gain (AVI) = 111.1%
 $10/9 = 111.1\%$

Diagram 25



Pr.03-07-03-08 (Positive/Negative Bias Mode)

- 0: No bias
- 1: Lower than or equal bias
- 2: Greater than or equal to bias
- 3: The absolute value of the bias voltage while serving as the center
- 4: Bias serves as the center

Pr.03-10 (Analog Frequency Command for Reverse Run)

- 0: Negative frequency is not valid. Forward and reverse run is controlled by digital keyboard or external terminals.
- 1: Negative frequency is valid. Positive frequency = forward run; negative frequency = reverse run. Direction can not be switched by digital keypad or external terminal control.

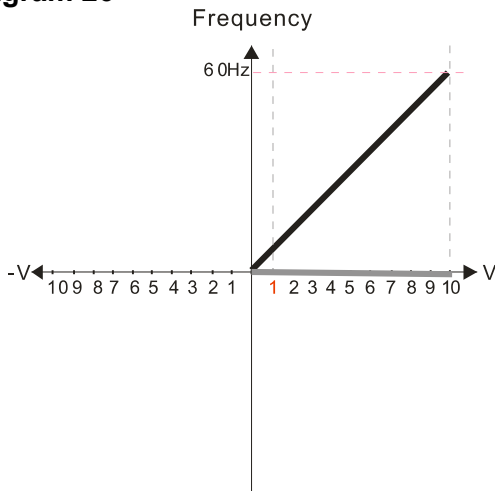
Calculate the bias:

$$\frac{60-6\text{Hz}}{10\text{V}} = \frac{6-0\text{Hz}}{(0-X)\text{V}} \quad X\text{V} = \frac{100}{-9} = -11.1\text{V} \quad \therefore 03-03 = \frac{-1.11}{10} \times 100\% = -11.1\%$$

Calculate the gain:

$$\text{Pr.03-11} = \frac{10\text{V}}{11.1\text{V}} \times 100\% = 90.0\%$$

Diagram 26



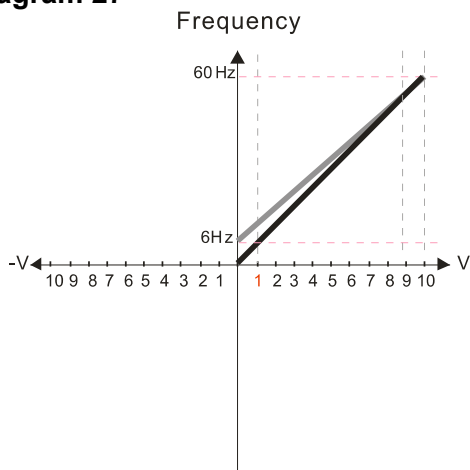
Pr.03-07-03-08 (Positive/Negative Bias Mode)

- 0: No bias
- 1: Lower than or equal bias
- 2: Greater than or equal to bias
- 3: The absolute value of the bias voltage while serving as the center
- 4: Bias serves as the center

Pr.03-10 (Analog Frequency Command for Reverse Run)

- 0: Negative frequency is not valid. Forward and reverse run is controlled by digital keyboard or external terminals.
- 1: Negative frequency is valid. Positive frequency = forward run; negative frequency = reverse run. Direction can not be switched by digital keypad or external terminal control.

Diagram 27



Pr.03-07-03-08 (Positive/Negative Bias Mode)

- 0: No bias
- 1: Lower than or equal bias
- 2: Greater than or equal to bias
- 3: The absolute value of the bias voltage while serving as the center
- 4: Bias serves as the center

Pr.03-10 (Analog Frequency Command for Reverse Run)

- 0: Negative frequency is not valid. Forward and reverse run is controlled by digital keyboard or external terminals.
- 1: Negative frequency is valid. Positive frequency = forward run; negative frequency = reverse run. Direction can not be switched by digital keypad or external terminal control.

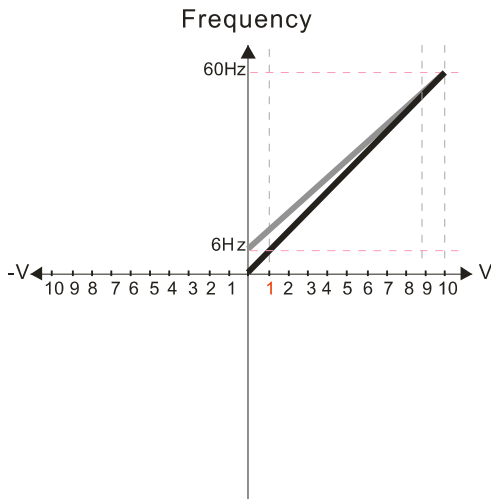
Calculate the bias:

$$\frac{60-6\text{Hz}}{10\text{V}} = \frac{6-0\text{Hz}}{(0-X)\text{V}} \quad X\text{V} = \frac{100}{-9} = -11.1\text{V} \quad \therefore 03-03 = \frac{-1.11}{10} \times 100\% = -11.1\%$$

Calculate the gain:

$$\text{Pr.03-11} = \frac{10\text{V}}{11.1\text{V}} \times 100\% = 90.0\%$$

Diagram 28



Pr.03-07-03-08 (Positive/Negative Bias Mode)

- 0: No bias
- 1: Lower than or equal bias
- 2: Greater than or equal to bias
- 3: The absolute value of the bias voltage while serving as the center
- 4: Bias serves as the center

Pr.03-10 (Analog Frequency Command for Reverse Run)

- 0: Negative frequency is not valid. Forward and reverse run is controlled by digital keyboard or external terminals.
- 1: Negative frequency is valid. Positive frequency = forward run; negative frequency = reverse run. Direction can not be switched by digital keypad or external terminal control.

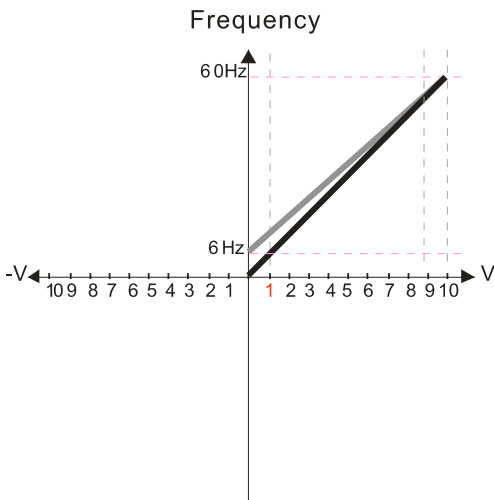
Calculate the bias:

$$\frac{60-6\text{Hz}}{10\text{V}} = \frac{6-0\text{Hz}}{(0-X\text{V})} \quad X\text{V} = \frac{100}{-9} = -1.11\text{V} \quad \therefore 03-03 = \frac{-1.11}{10} \times 100\% = -11.1\%$$

Calculate the gain:

$$\text{Pr.03-11} = \frac{10\text{V}}{11.1\text{V}} \times 100\% = 90.0\%$$

Diagram 29



Pr.03-07-03-08 (Positive/Negative Bias Mode)

- 0: No bias
- 1: Lower than or equal bias
- 2: Greater than or equal to bias
- 3: The absolute value of the bias voltage while serving as the center
- 4: Bias serves as the center

Pr.03-10 (Analog Frequency Command for Reverse Run)

- 0: Negative frequency is not valid. Forward and reverse run is controlled by digital keyboard or external terminals.
- 1: Negative frequency is valid. Positive frequency = forward run; negative frequency = reverse run. Direction can not be switched by digital keypad or external terminal control.

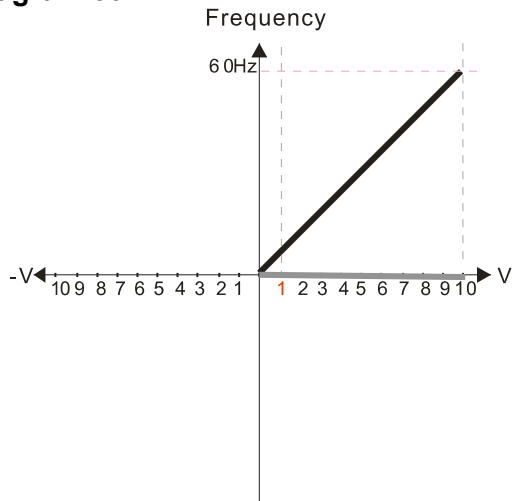
Calculate the bias:

$$\frac{60-6\text{Hz}}{10\text{V}} = \frac{6-0\text{Hz}}{(0-X\text{V})} \quad X\text{V} = \frac{100}{-9} = -1.11\text{V} \quad \therefore 03-03 = \frac{-1.11}{10} \times 100\% = -11.1\%$$

Calculate the gain:

$$\text{Pr.03-11} = \frac{10\text{V}}{11.1\text{V}} \times 100\% = 90.0\%$$

Diagram 30



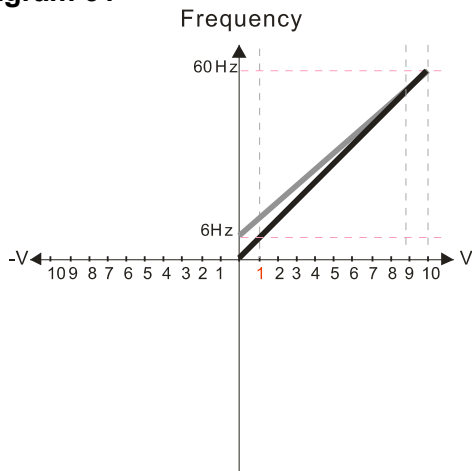
Pr.03-07-03-08 (Positive/Negative Bias Mode)

- 0: No bias
- 1: Lower than or equal bias
- 2: Greater than or equal to bias
- 3: The absolute value of the bias voltage while serving as the center
- 4: Bias serves as the center

Pr.03-10 (Analog Frequency Command for Reverse Run)

- 0: Negative frequency is not valid. Forward and reverse run is controlled by digital keyboard or external terminals.
- 1: Negative frequency is valid. Positive frequency = forward run; negative frequency = reverse run. Direction can not be switched by digital keypad or external terminal control.

Diagram 31



Pr.03-07-03-08 (Positive/Negative Bias Mode)

- 0: No bias
- 1: Lower than or equal bias
- 2: Greater than or equal to bias
- 3: The absolute value of the bias voltage while serving as the center
- 4: Bias serves as the center

Pr.03-10 (Analog Frequency Command for Reverse Run)

- 0: Negative frequency is not valid. Forward and reverse run is controlled by digital keyboard or external terminals.
- 1: Negative frequency is valid. Positive frequency = forward run; negative frequency = reverse run. Direction can not be switched by digital keypad or external terminal control.

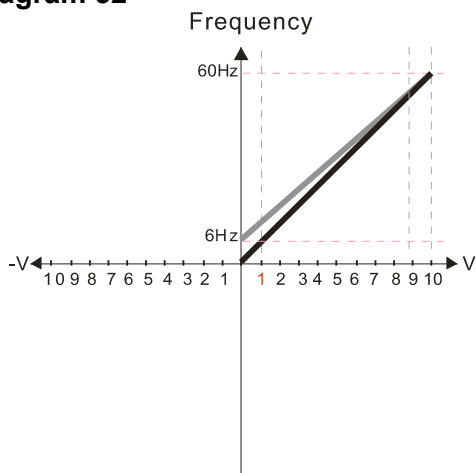
Calculate the bias:

$$\frac{60-6\text{Hz}}{10\text{V}} = \frac{6-0\text{Hz}}{(0-X\text{V})} \quad X\text{V} = \frac{100}{-9} = -1.11\text{V} \quad \therefore 03-03 = \frac{-1.11}{10} \times 100\% = -11.1\%$$

Calculate the gain:

$$\text{Pr.03-11} = \frac{10\text{V}}{11.1\text{V}} \times 100\% = 90.0\%$$

Diagram 32



Pr.03-07-03-08 (Positive/Negative Bias Mode)

- 0: No bias
- 1: Lower than or equal bias
- 2: Greater than or equal to bias
- 3: The absolute value of the bias voltage while serving as the center
- 4: Bias serves as the center

Pr.03-10 (Analog Frequency Command for Reverse Run)

- 0: Negative frequency is not valid. Forward and reverse run is controlled by digital keyboard or external terminals.
- 1: Negative frequency is valid. Positive frequency = forward run; negative frequency = reverse run. Direction can not be switched by digital keypad or external terminal control.

Calculate the bias:

$$\frac{60-6\text{Hz}}{10\text{V}} = \frac{6-0\text{Hz}}{(0-X\text{V})} \quad X\text{V} = \frac{100}{-9} = -1.11\text{V} \quad \therefore 03-03 = \frac{-1.11}{10} \times 100\% = -11.1\%$$

Calculate the gain:

$$\text{Pr.03-11} = \frac{10\text{V}}{11.1\text{V}} \times 100\% = 90.0\%$$

✎ **03-11** Analog Input Gain (AVI)

✎ **03-12** Analog Input Gain (ACI)

Default: 100.0

Settings -500.0–500.0 %

📖 Pr.03-03–03-12 are used when the Frequency command source is the analog voltage or current signal.

✎ **03-15** Analog Input Filter Time (AVI)

✎ **03-16** Analog Input Filter Time (ACI)

Default: 0.01

Settings 0.00–20.00 sec.

📖 Analog signals, such as those entering AVI and ACI, are commonly affected by interference that affects the stability of the analog control. Use the Input Noise Filter to create a more stable system.

📖 When the time constant setting is too large, the control is stable but the control response is slow. When the time constant setting is too small, the control response is faster but the control may be unstable. For optimal setting, adjust the setting based on the control stability or the control response.

✎ **03-18** Analog Input Addition Function

Default: 0

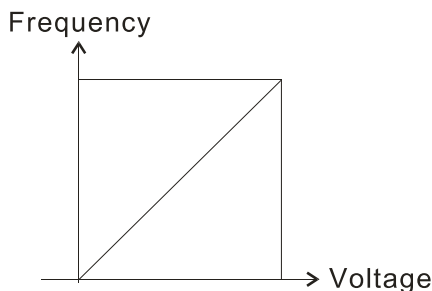
Settings 0: Disable (AVI, ACI)

1: Enable (excludes analog extension card)

📖 When Pr.03-18=1:

Example: Pr.03-00 = Pr.03-01 = 1, Frequency command = AVI + ACI

📖 When Pr.03-18=0 and the analog input selection settings (Pr.03-00 and Pr.03-01) are the same, AVI has priority over ACI. In other words, when Pr.03-00 and Pr.03-01 are both set to 1 (Frequency command), the drive ignores the setting value from ACI but execute the Frequency command according to the setting value from AVI.



$$F \text{ command} = [(ay \pm \text{bias}) * \text{gain}] * \frac{F_{\text{max}} (\text{Pr.01-00})}{10 \text{ V or } 16 \text{ mA or } 20 \text{ mA}}$$

F command: the corresponding frequency for 10V or 20mA

ay: 0–10V, 4–20mA, 0–20mA





bias: Pr.03-03, Pr.03-04

gain: Pr.03-11, Pr.03-12

03-19 Signal Loss Selection for the Analog Input 4–20 mA

Default: 0

- Settings 0: Disable
 1: Continue operation at the last frequency
 2: Decelerate to 0 Hz
 3: Stop immediately and display “ACE”

-  Determines the treatment when the 4–20 mA signal is lost (ACIc (Pr.03-29 = 0)).
-  When Pr.03-29 ≠ 0, the voltage input to ACI terminal is 0–10 V or 0–20 mA, and Pr.03-19 is invalid.
-  When the setting is 1 or 2, the keypad displays the warning code “ANL”. It keeps blinking until the ACI signal is recovered.
-  When the drive stops, the condition that causes the warning does not exist, so the warning automatically disappears.

03-20 Multi-function Output (AFM)

Default: 0

Settings 0–23

Summary of Function Settings

Settings	Functions	Descriptions
0	Output frequency (Hz)	Maximum frequency Pr.01-00 is processed as 100 %.
1	Frequency command (Hz)	Maximum frequency Pr.01-00 is processed as 100 %.
2	Motor speed (Hz)	Maximum frequency Pr.01-00 is processed as 100 %.
3	Output current (rms)	(2.5 X drive rated current) is processed as 100 %.
4	Output voltage	(2 X motor rated voltage) is processed as 100 %.
5	DC bus voltage	230 V series: 450 V = 100 % 460 V series: 900 V = 100 % 575 V series: 1125 V = 100 %
6	Power factor	-1.000–1.000 = 100 %
7	Power	(2 X drive rated power) is processed as 100 %.
8	Output torque	Full-load torque = 100 %
9	AVI	0–10 V = 0–100 %
10	ACI	4–20 mA = 0–100 %
12	Iq current command	(2.5 X drive rated current) is processed as 100 %.
13	Iq feedback value	(2.5 X drive rated current) is processed as 100 %.
14	Id current command	(2.5 X drive rated current) is processed as 100 %.
15	Id feedback value	(2.5 X rated current) is processed as 100 %.
16	Vq-axis voltage command	230 V series: 250 V = 100 % 460 V series: 500 V = 100 % 575 V series: 625 V = 100 %
17	Vd-axis voltage command	230 V series: 250 V = 100 % 460 V series: 500 V = 100 % 575 V series: 625 V = 100 %

Settings	Functions	Descriptions				
18	Torque command	Motor rated torque = 100%				
19	PG2 frequency command	Maximum operation frequency (Pr.01-00) is processed as 100 %.				
20	CANopen analog output	For CANopen communication analog output <table border="1"> <tr> <td>Terminal</td> <td>Address</td> </tr> <tr> <td>AFM</td> <td>2026-A1</td> </tr> </table>	Terminal	Address	AFM	2026-A1
Terminal	Address					
AFM	2026-A1					
21	RS-485 analog output	For RS-485 (Modbus) control analog output <table border="1"> <tr> <td>Terminal</td> <td>Address</td> </tr> <tr> <td>AFM</td> <td>26A0H</td> </tr> </table>	Terminal	Address	AFM	26A0H
Terminal	Address					
AFM	26A0H					
22	Communication card analog output	For communication analog output (CMM-EIP01, CMM-PN01, CMM-DN01) <table border="1"> <tr> <td>Terminal</td> <td>Address</td> </tr> <tr> <td>AFM</td> <td>26A0H</td> </tr> </table>	Terminal	Address	AFM	26A0H
Terminal	Address					
AFM	26A0H					
23	Constant voltage output	Pr.03-32 controls the voltage output level. 0–100 % of Pr.03-32 corresponds to 0–10 V for AFM.				

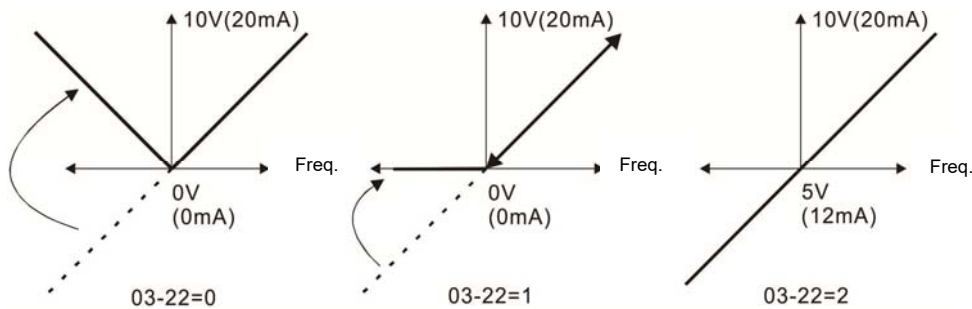
03-21 Analog Output Gain (AFM) Default: 100.0

Settings 0.0–500.0 %

Adjusts the voltage level outputted to the analog meter from the analog signal (Pr.03-20) output terminal AFM of the drive.

03-22 Analog Output in REV Direction (AFM) Default: 0

Settings 0: Absolute value in output voltage
 1: Reverse output 0 V; forward output 0–10 V
 2: Reverse output 5-0 V; forward output 5–10 V



Analog output direction selection

03-27 AFM Output Bias Default: 0.00

Settings -100.00–100.00 %

Example 1: AFM 0–10 V is set to the output frequency, the output equation is

$$10 \text{ V} \times \left(\frac{\text{Output Frequency}}{\text{Pr.01-00}} \right) \times \text{Pr.03-21} + 10 \text{ V} \times \text{Pr.03-27}$$

Example 2: AFM 0–20 mA is set to the output frequency, the output equation is

$$20 \text{ mA} \times \left(\frac{\text{Output Frequency}}{\text{Pr.01-00}} \right) \times \text{Pr.03-21} + 20 \text{ mA} \times \text{Pr.03-27}$$

Example 3: AFM 4–20 mA is set to the output frequency, the output equation is

$$4 \text{ mA} + 16 \text{ mA} \times \left(\frac{\text{Output Frequency}}{\text{Pr.01-00}} \right) \times \text{Pr.03-21} + 16 \text{ mA} \times \text{Pr.03-27}$$

This parameter sets the corresponding voltage of the analog output 0.

03-28 AVI Terminal Input Selection Default: 0

Settings 0: 0–10 V (Pr.03-63–Pr.03-68 is valid)
 3: -10–10 V (Pr.03-69–Pr.03-74 are valid)

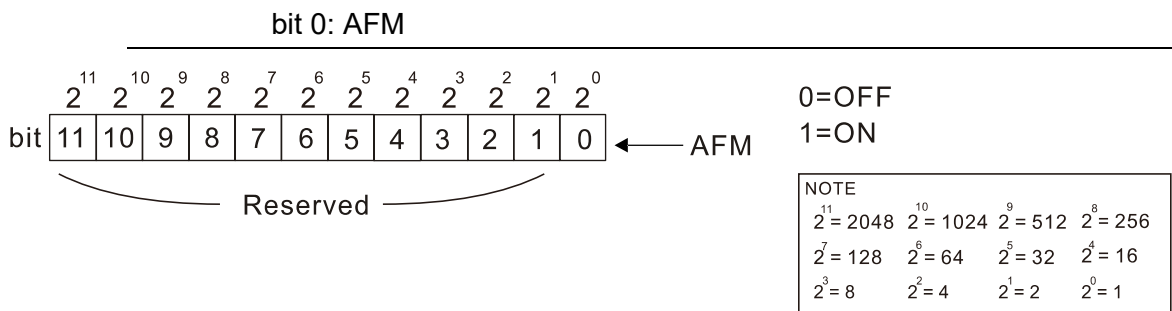
03-29 ACI Terminal Input Selection Default: 0

Settings 0: 4–20 mA
 1: 0–10 V
 2: 0–20 mA

When you change the input mode, verify that the external terminal switch (ACI) position is correct.

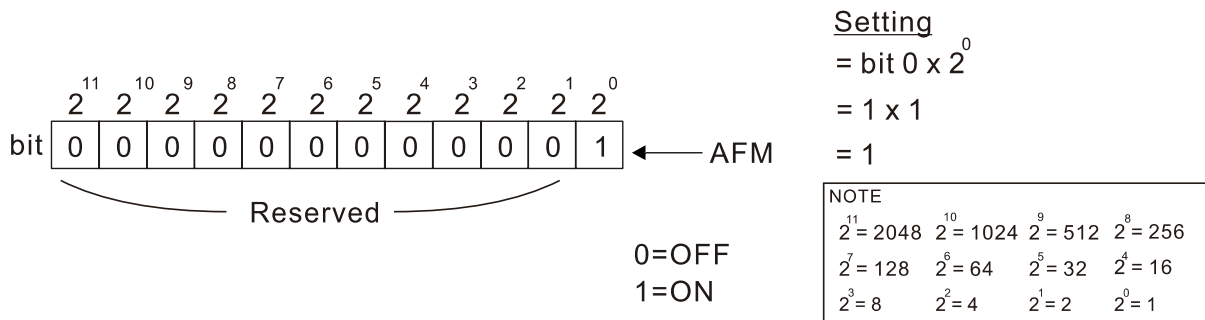
03-30 PLC Analog Output Terminal Status Default: Read only

Settings Monitor the status of the PLC analog output terminals



Example:

When Pr.03-30 displays 0001 (hex) (that is, the value is 1 (decimal) and 1 (binary)), it means that AFM is used by PLC..






- ↗ **03-31** AFM Output Selection Default: 0
 - Settings 0: 0–10 V output
 - 1: 0–20 mA output
 - 2: 4–20 mA output
- ↗ **03-32** AFM DC Output Setting Level Default: 0.00
 - Settings 0.00–100.00 %
- ↗ **03-35** AFM Output Filter Time Default: 0.01
 - Settings 0.00–20.00 sec.
- ↗ **03-39** VR Input Selection Default: 1
 - Settings 0: Disable
 - 1: Frequency command

VR is the abbreviation for Variable Resistor; it is the potentiometer of the keyboard panel KPMS-LE01.
- ↗ **03-40** VR Input Bias Default: 0.0
 - Settings -100–100 %
- ↗ **03-41** VR Positive / Negative Bias Default: 0
 - Settings 0: No bias
 - 1: Lower than or equal to bias
 - 2: Greater than or equal to bias
 - 3: The absolute value of the bias voltage while serving as the center
 - 4: Bias serves as the center
- ↗ **03-42** VR Gain Default: 100.0
 - Settings -500.0–500.0 %
- ↗ **03-43** VR Filter Time Default: 0.01
 - Settings 0.00–2.00 sec.

↗	03-44 Multi-function Output (MO) by AI Level Source	Default: 0
	Settings 0: AVI 1: ACI	
↗	03-45 AI Upper Level	Default: 50
	Settings -100–100 %	
↗	03-46 AI Lower Level	Default: 10
	Settings -100–100 %	
	<p>📖 Use this function with the multi-function output setting 67 (analog input level reached). The MO is active when the AI input level is higher than the Pr.03-45. The MO is disabled when the AI input is lower than the Pr.03-46.</p> <p>📖 When setting levels, Pr.03-45 AI upper level must be higher than Pr.03-46 AI lower level.</p>	
↗	03-50 Analog Input Curve Selection	Default: 0
	Settings 0: Normal curve 1: Three-point curve of AVI 2: Three-point curve of ACI 3: Three-point curve of AVI & ACI	
↗	03-57 ACI Lowest Point	Default: 4.00
	Settings Pr.03-29 = 1, 0.00–10.00 V Pr.03-29 ≠ 1, 0.00–20.00 mA	
↗	03-58 ACI Proportional Lowest Point	Default: 0.00
	Settings 0.00–100.00 %	
↗	03-59 ACI Mid-point	Default: 12.00
	Settings Pr.03-29 = 1, 0.00–10.00 V Pr.03-29 ≠ 1, 0.00–20.00 mA	
↗	03-60 ACI Proportional Mid-point	Default: 50.00
	Settings 0.00–100.00 %	

-
- ↗ **03-61** ACI Highest Point Default: 20.00
- Settings Pr.03-29 = 1, 0.00–10.00 V
Pr.03-29 ≠ 1, 0.00–20.00 mA
-
- ↗ **03-62** ACI Proportional Highest Point Default: 100.00
- Settings 0.00–100.00 %
-
- 📖 When Pr.03-29 = 1, the ACI setting is 0–10 V and the unit is voltage (V).
When Pr.03-29 ≠ 1, the ACI setting is 0–20 mA or 4–20 mA and the unit is current (mA).
 - 📖 When you set the analog input ACI to the Frequency command, 100% corresponds to Fmax (Pr.01-00 Maximum Operation Frequency).
 - 📖 The requirement for these three parameters (Pr.03-57, Pr.03-59 and Pr.03-61) is Pr.03-57 < Pr.03-59 < Pr.03-61. The values for three proportional points (Pr.03-58, Pr.03-60 and Pr.03-62) have no limits. There is a linear calculation between two points.
 - 📖 The output percentage becomes 0 % when the ACI input value is lower than the lowest point setting.
Example:
If Pr.03-57 = 2 mA; Pr.03-58 = 10%, then the output becomes 0 % when the ACI input is ≤ 2 mA.
If the ACI input swings between 2 mA and 2.1 mA, the drive's output frequency oscillates between 0 % and 10 %.
-
- ↗ **03-63** AVI Voltage Lowest Point Default: 0.00
- Settings 0.00–10.00 V
-
- ↗ **03-64** AVI Proportional Lowest Point Default: 0.00
- Settings -100.00–100.00 %
-
- ↗ **03-65** AVI Voltage Mid-point Default: 5.00
- Settings 0.00–10.00 V
-
- ↗ **03-66** AVI Proportional Mid-point Default: 50.00
- Settings -100.00–100.00 %
-
- ↗ **03-67** AVI Voltage Highest Point Default: 10.00
- Settings 0.00–10.00 V

- ↗ **03-68** AVI Proportional Highest Point Default: 100.00
- Settings -100.00–100.00 %
-  When you set the positive voltage AVI to the Frequency command, 100 % corresponds to Fmax (Pr.01-00 Maximum Operation Frequency) and the motor runs in the forward direction.
 -  The requirement for these three parameters (Pr.03-63, Pr.03-65 and Pr.03-67) is Pr.03-63 < Pr.03-65 < Pr.03-67. The values for three proportional points (Pr.03-64, Pr.03-66 and Pr.03-68) have no limits. There is a linear calculation between two points.
 -  The output percentage becomes 0 % when the positive voltage AVI input value is lower than the lowest point setting.
- Example:
 If Pr.03-63 = 1 V; Pr.03-64 = 10 %, then the output becomes 0 % when the AVI input is ≤ 1 V.
 If the AVI input swings between 1 V and 1.1 V, the drive's output frequency oscillates between 0 % and 10 %.
-
- ↗ **03-69** Negative AVI Voltage Lowest Point Default: 0.00
- Settings -10.00–0.00 V
 (valid when Pr.03-28 sets as -10–10 V)
-
- ↗ **03-70** Negative AVI Proportional Lowest Point Default: 0.00
- Settings -100.00–100.00 %
 (valid when Pr.03-28 sets as -10–10 V)
-
- ↗ **03-71** Negative AVI Voltage Mid-point Default: -5.00
- Settings -10.00–0.00 V
 (valid when Pr.03-28 sets as -10–10 V)
-
- ↗ **03-72** Negative AVI Proportional Mid-point Default: -50.00
- Settings -100.00–100.00 %
 (valid when Pr.03-28 sets as -10–10 V)
-
- ↗ **03-73** Negative AVI Voltage Highest Point Default: -10.00
- Settings -10.00–0.00 V
 (valid when Pr.03-28 sets as -10–10 V)

↗ **03-74** Negative AVI Proportional Highest Point

Default: -100.00

Settings -100.00–100.00 %
(valid when Pr.03-28 sets as -10–10 V)

- 📖 When you set the negative voltage AVI to the Frequency command, -100% corresponds to Fmax (Pr.01-00 Maximum Operation Frequency) and the motor runs in the reverse direction.
- 📖 The requirement for these three parameters (Pr.03-69, Pr.03-71 and Pr.03-73) is Pr.03-69 < Pr.03-71 < Pr.03-73, the values for three proportional points (Pr.03-70, Pr.03-72 and Pr.03-74) have no limits. There is a linear calculation between two points.
- 📖 The output percentage becomes 0 % when the negative voltage AVI input value is lower than the lowest point setting.

Example:

If Pr.03-69 = -1 V; Pr.03-70 = 10%, then the output becomes 0 % when the AVI input is \geq -1 V.

If the AVI input swings between -1 V and -1.1 V, drive's output frequency oscillates between 0 % and 10 %.

04 Multi-Step Speed Parameters

✎ You can set this parameter during operation.

✎	04-00	1 st Step Speed Frequency
✎	04-01	2 nd Step Speed Frequency
✎	04-02	3 rd Step Speed Frequency
✎	04-03	4 th Step Speed Frequency
✎	04-04	5 th Step Speed Frequency
✎	04-05	6 th Step Speed Frequency
✎	04-06	7 th Step Speed Frequency
✎	04-07	8 th Step Speed Frequency
✎	04-08	9 th Step Speed Frequency
✎	04-09	10 th Step Speed Frequency
✎	04-10	11 th Step Speed Frequency
✎	04-11	12 th Step Speed Frequency
✎	04-12	13 th Step Speed Frequency
✎	04-13	14 th Step Speed Frequency
✎	04-14	15 th Step Speed Frequency

Default: 0.00

Settings 0.00–599.00 Hz

📖 Use the multi-function input terminals (refer to settings 1–4 of Pr.02-01–02-07 Multi-function Input Command) to select the multi-step speed command (the maximum is 15th step speed). Pr.04-00 to Pr.04-14 sets the multi-step speed (frequency) as shown in the following diagram.

📖 The external terminal/digital keypad/communication controls the RUN and STOP commands with Pr.00-21.

📖 You can set each multi-step speed between 0.00–599.00 Hz during operation.

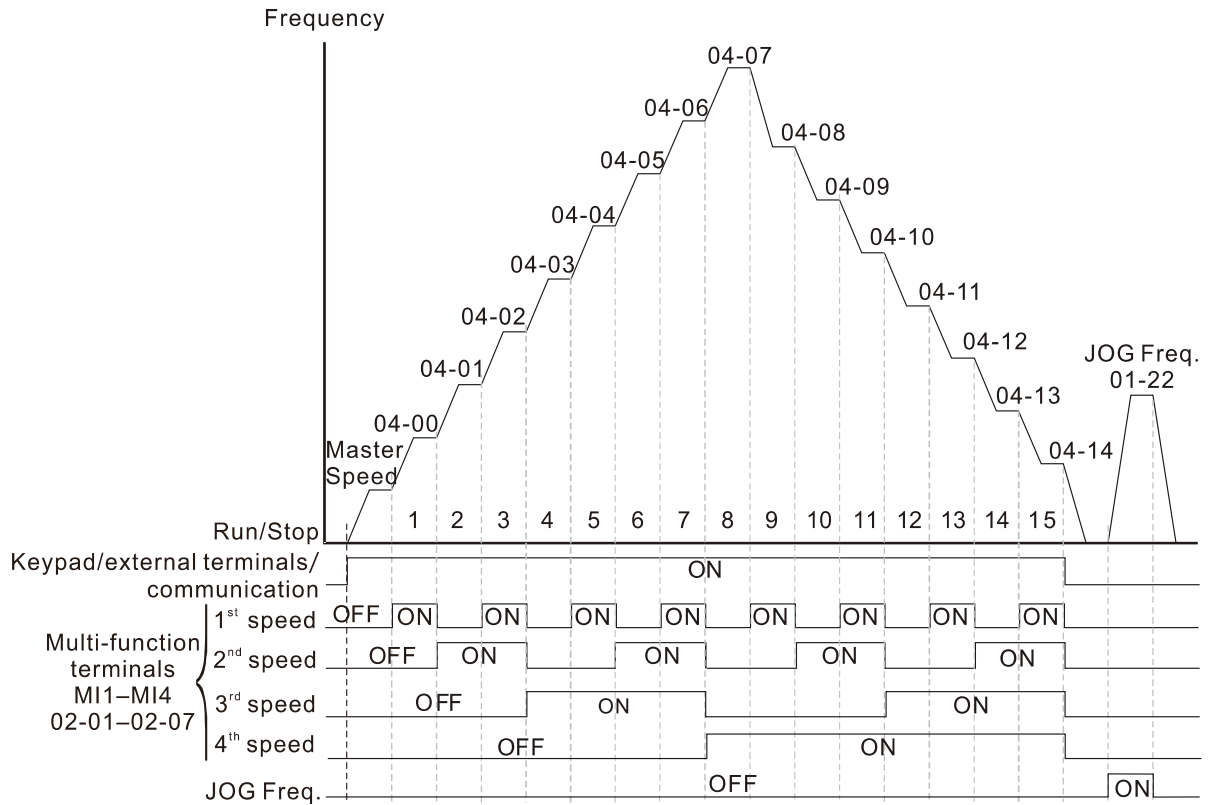
📖 Explanation for the timing diagram of the multi-step speed and external terminals

The related parameter settings are:

1. Pr.04-00–Pr.04-14: sets the 1st–15th multi-step speed (to set the frequency of each step speed).
2. Pr.02-01–Pr.02-07: sets the multi-function input terminals (multi-step speed command 1–4).

📖 Related parameters:

- Pr.01-22 JOG frequency setting
- Pr.02-01 multi-function input command 1 (MI1)
- Pr.02-02 multi-function input command 2 (MI2)
- Pr.02-03 multi-function input command 3 (MI3)
- Pr.02-04 multi-function input command 4 (MI4)



Speed Selection through External Terminals

✓	04-50	PLC Buffer 0
✓	04-51	PLC Buffer 1
✓	04-52	PLC Buffer 2
✓	04-53	PLC Buffer 3
✓	04-54	PLC Buffer 4
✓	04-55	PLC Buffer 5
✓	04-56	PLC Buffer 6
✓	04-57	PLC Buffer 7
✓	04-58	PLC Buffer 8
✓	04-59	PLC Buffer 9
✓	04-60	PLC Buffer 10
✓	04-61	PLC Buffer 11
✓	04-62	PLC Buffer 12
✓	04-63	PLC Buffer 13
✓	04-64	PLC Buffer 14
✓	04-65	PLC Buffer 15
✓	04-66	PLC Buffer 16
✓	04-67	PLC Buffer 17
✓	04-68	PLC Buffer 18
✓	04-69	PLC Buffer 19

Default: 0

Settings 0-65535

You can combine the PLC buffer with the built-in PLC function for a variety of applications.

05 Motor Parameters

✎ You can set this parameter during operation.

In this parameter group, the following are abbreviations for different types of motors:

- IM: Induction motor
- PM: Permanent magnet synchronous AC motor
- IPM: Interior permanent magnet synchronous AC motor
- SPM: Surface permanent magnet synchronous AC motor

05-00 Motor Parameter Auto-tuning

Default: 0

- Settings
- 0: No function
 - 1: Dynamic test for induction motor (IM)
 - 2: Static test for induction motor (IM)
 - 5: Rolling auto-tuning for PM (IPM / SPM)
 - 12: FOC sensorless inertia estimation
 - 13: High frequency stall test for PM synchronous motor

05-01 Full-load Current for Induction Motor 1 (A)

Default: Depending on the model power

Settings 10–120 % of the drive's rated current

📖 Sets this value according to the rated current of the motor as indicated on the motor nameplate. The default is 90% of the drive's rated current.

Example: The rated current for a 7.5 HP (5.5 kW) motor is 25 A. The default is 22.5 A.

The setting range is 2.5–30 A ($25 \times 10 \% = 2.5 \text{ A}$ and $25 \times 120 \% = 30 \text{ A}$).

✎ 05-02 Rated Power for Induction Motor 1 (kW)

Default: Depending on the model power

Settings 0.00–655.35 kW

📖 Sets the rated power for motor 1. The default is the drive's power value.

✎ 05-03 Rated Speed for Induction Motor 1 (rpm)

Default: Depending on the motor's number of poles

Settings 0–xxxxx rpm (Depending on the motor's number of poles)
1710 (60 Hz 4 poles); 1410 (50 Hz 4 poles)

📖 Sets the rated speed for the motor as indicated on the motor nameplate.

05-04 Number of Poles for Induction Motor 1

Default: 4

Settings 2–20

📖 Sets the number of poles for the motor (must be an even number).

📖 Set up Pr.01-01 and Pr.05-03 before setting up Pr.05-04 to ensure that the motor operates normally.

05-05 No-load Current for Induction Motor 1 (A)

Default: Depending on the model power

Settings 0.00–Pr.05-01 default

The default is 40% of the motor's rated current.

05-06 Stator Resistance (Rs) for Induction Motor 1

Default: Depending on the model power

Settings 0.000–65.535 Ω

05-07 Rotor Resistance (Rr) for Induction Motor 1

Default: 0.000

Settings 0.000–65.535 Ω

05-08 Magnetizing Inductance (Lm) for Induction Motor 1

05-09 Stator Inductance (Lx) for Induction Motor 1

Default: 0.0

Settings 0.0–6553.5 mH

05-13 Full-load Current for Induction Motor 2 (A)

Default: Depending on the model power

Settings 10–120 % of the drive's rated current

Set this value according to the rated current of the motor as indicated on the motor nameplate.

The default is 90% of the drive's rated current.

Example: The rated current for a 7.5 HP (5.5 kW) motor is 25 A. The default is 22.5 A.

The setting range is 2.5–30 A ($25 \times 10 \% = 2.5 \text{ A}$ and $25 \times 120 \% = 30 \text{ A}$).

05-14 Rated Power for Induction Motor 2 (kW)

Default: Depending on the model power

Settings 0.00–655.35 kW

Sets the rated power for motor 2. The default is the drive's power value.

05-15 Rated Speed for Induction Motor 2 (rpm)

Default: Depending on the motor's number of poles

Settings 0–xxxxx rpm (Depending on the motor's number of poles)



1710 (60 Hz 4 poles); 1410 (50 Hz 4 poles)

Sets the rated speed for the motor as indicated on the motor nameplate.

05-16 Number of Poles for Induction Motor 2

Default: 4


Settings 2–20

-  Sets the number of poles for the motor (must be an even number).
-  Set up Pr.01-35 and Pr.05-15 before setting up Pr.05-16 to ensure that the motor operates normally.

05-17 No-load Current for Induction Motor 2 (A)

Default: Depending on the model power

Settings 0.00–Pr.05-13 default

-  The default is 40% of the motor's rated current.

05-18 Stator Resistance (Rs) for Induction Motor 2

Default: Depending on the model power

Settings 0.000–65.535 Ω

05-19 Rotor Resistance (Rr) for Induction Motor 2

Default: 0.000

Settings 0.000–65.535 Ω

05-20 Magnetizing Inductance (Lm) for Induction Motor 2**05-21** Stator Inductance (Lx) for Induction Motor 2


Default: 0.0


Settings 0.0–6553.5 mH

05-22 Multi-motor (Induction) Selection

Default: 1

- Settings
- 1: Motor 1
 - 2: Motor 2
 - 3: Motor 3 (VF or SVC control mode only)
 - 4: Motor 4 (VF or SVC control mode only)

-  Sets the motor operated by the AC motor drive. Multi-motor selection only supports single control mode. For example, when you set motor 1 as SVC control mode, the control mode of motors 2–4 are also set as SVC.

 **05-23** Frequency for Y-connection /Δ-connection Switch for an Induction Motor

Default: 60.00

Settings 0.00–599.00 Hz

05-24 Y-connection /Δ-connection Switch for an Induction Motor

Default: 0

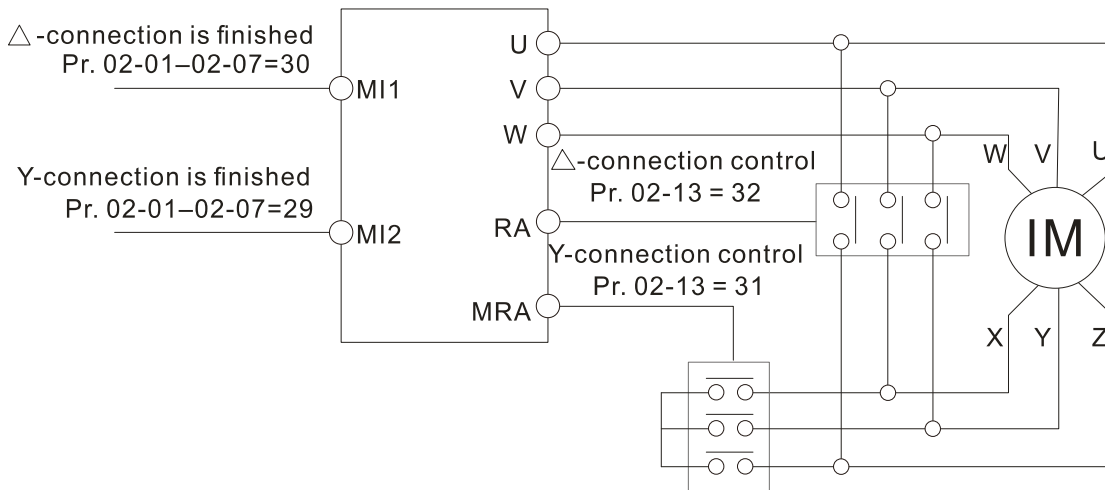
- Settings
- 0: Disable
 - 1: Enable

05-25 Delay Time for Y-connection/ Δ -connection Switch for an Induction Motor

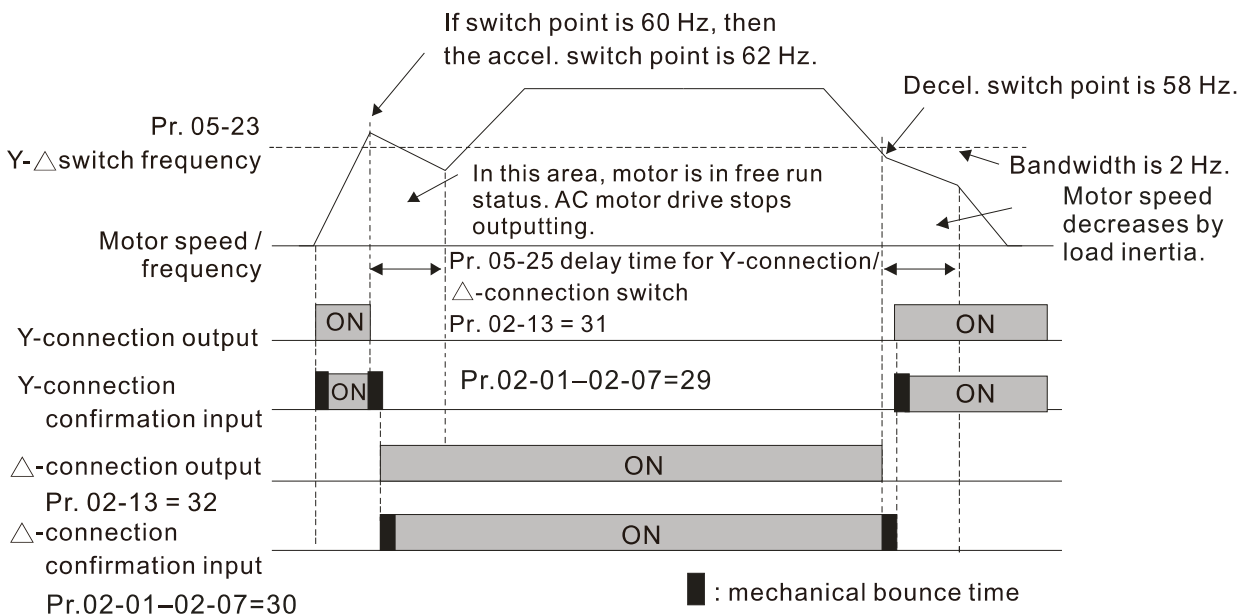
Default: 0.200

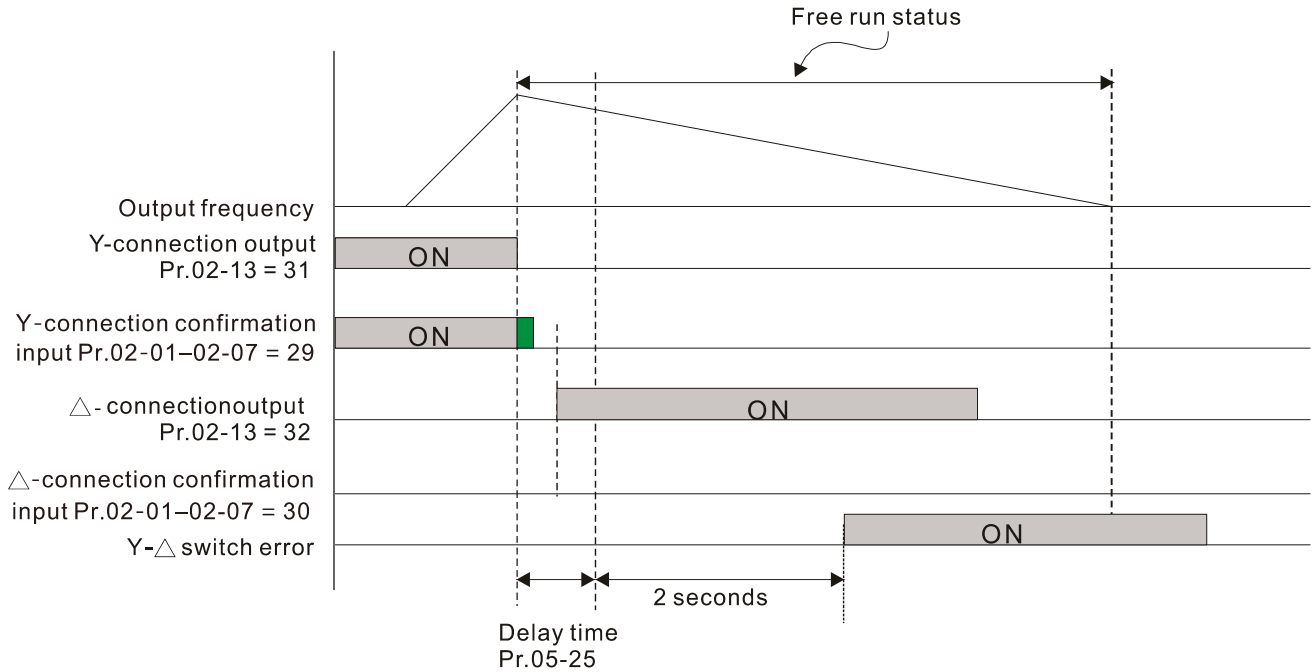
Settings 0.000–60.000 sec.

- You can apply Pr.05-23–Pr.05-25 in wide range motors, and the motor coil executes the Y-connection/ Δ -connection switch as required. The wide range motors are related to the motor design. In general, the motor has higher torque with low speed Y-connection and has higher speed with high speed Δ -connection.
- Pr.05-24 enables and disables the switch of Y-connection/ Δ -connection.
- When you set Pr.05-24 to 1, the drive uses the Pr.05-23 setting and current motor frequency, and switches the current motor to Y-connection or Δ -connection. You can switch the relevant motor parameter settings simultaneously.
- Pr.05-25 sets the switch delay time of Y-connection/ Δ -connection.
- When the output frequency reaches the Y-connection/ Δ -connection switch frequency, the drive delays according to Pr.05-25 before activating the multi-function output terminals.



Y- Δ connection switch: can be used for wide range motor
 Y-connection for low speed: higher torque can be used for rigid tapping
 Δ -connection for high speed: higher speed can be used for high-speed drilling





05-26	Accumulated Watt-second for a Motor in Low Word (W-msec.)
05-27	Accumulated Watt-second for a Motor in High Word (W-sec.)
05-28	Accumulated Watt-hour for a Motor (W-hour)
05-29	Accumulated Watt-hour for a Motor in Low Word (kW-hour)
05-30	Accumulated Watt-hour for a Motor in High Word (MW-hour)

Default: 0.0

Settings Read only

- 📖 Pr.05-26–05-30 records the amount of power the motors consume. The accumulation begins when the drive is activated and the record is saved when the drive stops or turns OFF. The amount of consumed watts continues to accumulate when the drive is activated again. To clear the accumulation, set Pr.00-02 to 5 to return the accumulation record to 0.
- 📖 The accumulated total watts of the motor per second = Pr.05-27 x 65536 + Pr.05-26
 Example: when Pr.05-26 = 2548.1 and Pr.05-27 = 15.2, the accumulated total watts of the motor per second = 15.2 x 65536 + 2548.1 = 996147.2 + 2548.1 = 998695.3
- 📖 The accumulated total kilowatts of the motor per hour = Pr.05-30 x 65536 + Pr.05-29
 Example: when Pr.05-29 = 3361.4 and Pr.05-30 = 11.2, the accumulated total kilowatts of the motor per hour = 11.2 x 65536 + 3361.4 = 734003.2 + 3361.4 = 737364.6

05-31	Accumulated Motor Operation Time (minutes)
--------------	--

Default: 0

Settings 0–1439

05-32	Accumulated Motor Operation Time (days)
--------------	---

Default: 0

Settings 0–65535

- 📖 Use Pr.05-31 and Pr.05-32 to record the motor operation time. To clear the operation time, set Pr.05-31 and Pr.05-32 to 0. An operation time shorter than 60 seconds is not recorded.

05-33 Induction Motor (IM) or Permanent Magnet Synchronous AC Motor Selection

Default: 0

Settings 0: IM (Induction motor)
 1: SPM (Surface permanent magnet synchronous AC motor)
 2: IPM (Interior permanent magnet synchronous AC motor)

05-34 Full-load Current for a Permanent Magnet Synchronous AC Motor


Default: Depending on the model power

Settings 0–120% of the drive's rated current

05-35 Rated Power for a Permanent Magnet Synchronous AC Motor

Default: Depending on the motor power

Settings 0.00–655.35 kW

 Sets the rated power for the permanent magnet synchronous AC motor. The default is the drive's power value.

05-36 Rated Speed for a Permanent Magnet Synchronous AC Motor

Default: 2000

Settings 0–65535 rpm

05-37 Number of Poles for a Permanent Magnet Synchronous AC Motor

Default: 10

Settings 0–65535

05-39 Stator Resistance for a Permanent Magnet Synchronous AC Motor

Default: 0.000

Settings 0.000–65.535 Ω **05-40** Permanent Magnet Synchronous AC Motor Ld

Default: 0.00

Settings 0.00–655.35 mH

05-41 Permanent Magnet Synchronous AC Motor Lq

Default: 0.00

Settings 0.00–655.35 mH

05-43 Ke parameter of a Permanent Magnet Synchronous AC Motor

Unit: V / krpm

Default: 0

Settings 0–65535

05-64 Full-load Current for Induction Motor 3 (A)

Default: Depending on
the model power

Settings 10–120% of the drive's rated current

📖 Set this value according to the rated current of the motor as indicated on the motor nameplate. The default is 90% of the drive's rated current.

Example: The rated current for a 7.5 HP (5.5 kW) motor is 25 A. The default is 22.5 A.

The setting range is 2.5–30 A ($25 \times 10 \% = 2.5 \text{ A}$ and $25 \times 120 \% = 30 \text{ A}$).

05-65 Rated Power for Induction Motor 3 (kW)

Default: Depending on
the model power

Settings 0.00–655.35 kW

📖 Sets the rated power for motor 3. The default is the drive's power value.

05-66 Rated Speed for Induction Motor 3 (rpm)

Default: Depending on
the motor's number of
poles

Settings 0–xxxx rpm (Depending on the motor's number of poles)
1710 (60 Hz 4 poles); 1410 (50 Hz 4 poles)

📖 Sets the rated speed for the motor as indicated on the motor nameplate.

05-67 Number of Poles for Induction Motor 3

Default: 4

Settings 2–20

📖 Sets the number of poles for the motor (must be an even number).

📖 Set up Pr.01-54 and Pr.05-66 before setting up Pr.05-67 to ensure that the motor operates normally.

05-68 No-load Current for Induction Motor 3 (A)

Default: Depending on
the model power

Settings 0.00–Pr.05-64 default

📖 The default is 40% of the motor's rated current.

05-69 Stator Resistance (Rs) for Induction Motor 3


Default: Depending on
the model power

Settings 0.000–65.535 Ω

05-70 Full-load Current for Induction Motor 4 (A)

Default: Depending on the model power

Settings 10–120% of the drive's rated current

 Set this value according to the rated current of the motor as indicated on the motor nameplate. The default is 90% of the drive's rated current.

Example: The rated current for a 7.5 HP (5.5 kW) motor is 25 A. The default is 22.5 A.

The setting range is 2.5–30 A ($25 \times 10 \% = 2.5 \text{ A}$ and $25 \times 120 \% = 30 \text{ A}$).

05-71 Rated Power for Induction Motor 4 (kW)

Default: Depending on the model power

Settings 0.00–655.35 kW


 Sets the rated power for motor 4. The default is the drive's power value.

05-72 Rated Speed for Induction Motor 4 (rpm)

Default: Depending on the motor's number of poles

Settings 0–xxxxx rpm (Depending on the motor's number of poles)

1710 (60 Hz 4 poles); 1410 (50 Hz 4 poles)


 Sets the rated speed for the motor as indicated on the motor nameplate.

05-73 Number of Poles for Induction Motor 4

Default: 4

Settings 2–20


 Sets the number of poles for the motor (must be an even number).

 Set up Pr.01-63 and Pr.05-72 before setting up Pr.05-73 to make sure the motor operates normally.

05-74 No-load Current for Induction Motor 4 (A)

Default: Depending on the model power

Settings 0.00–Pr.05-70 default

 The default is 40% of the motor's rated current.

05-75 Stator Resistance (Rs) for Induction Motor 4

Default: Depending on the model power

Settings 0.000–65.535 Ω

06 Protection Parameters (1)

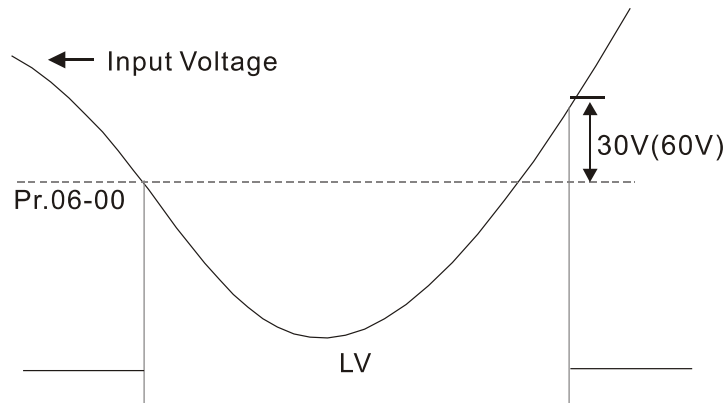
✦ You can set this parameter during operation.

✦ 06-00 Low Voltage Level

Default: 180.0 / 360.0 / 450.0

Settings 115V / 230V series: 150.0–220.0 V_{DC}
 460V series:: 300.0–440.0 V_{DC}
 575V series:: 375.0–550.0 V_{DC}

- 📖 Sets the Low Voltage (LV) level. When the DC bus voltage is lower than Pr.06-00, a LV fault is triggered, and the drive stops output then the motor coasts to a stop.
- 📖 If the LV fault is triggered during operation, the drive stops output and the motor coasts to a stop. There are three LV faults, LvA (LV during acceleration), Lvd (LV during deceleration), and Lvn (LV in constant speed) that are triggered according to the status of acceleration or deceleration. You must press RESET to clear the LV fault. The drive automatically restarts if set to restart after momentary power loss (refer to Pr.07-06 Restart after Momentary Power Loss and Pr.07-07 Allowed Power Loss Duration for details).
- 📖 If the LV fault is triggered when the drive is in STOP status, the drive displays LvS (LV during stop), which is not recorded, and the drive restarts automatically when the input voltage is higher than the LV level of 30 V (230V series), 60 V (460V series) or 75V (575 series).



✦ 06-01 Over-voltage Stall Prevention

Settings 0: Disabled Default: 380.0 / 760.0 / 975.0
 115V / 230V: 0.0–390.0 V_{DC}
 460V: 0.0–900.0 V_{DC}
 575V: 0.0–1000.0 V_{DC}

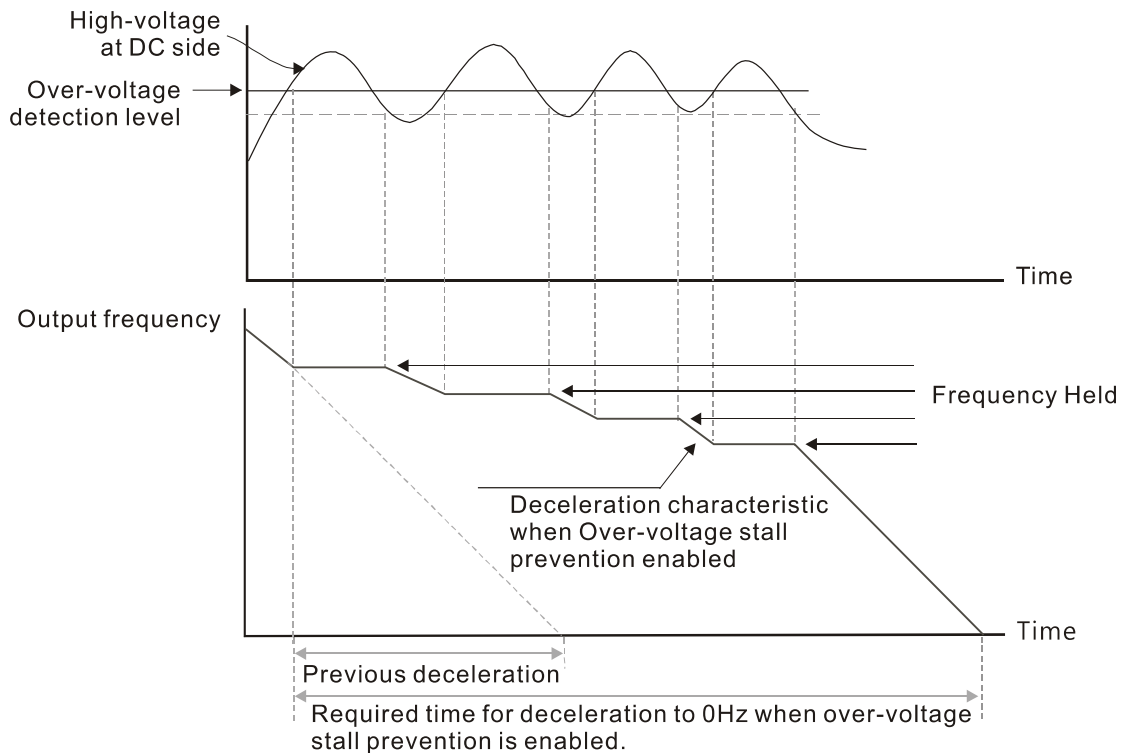
- 📖 Setting Pr.06-01 to 0.0 disables the over-voltage stall prevention function (connected with braking unit or brake resistor). Use this setting when braking units or brake resistors are connected to the drive.
- 📖 Setting Pr.06-01 to a value > 0.0 enables the over-voltage stall prevention. This setting refers to the power supply system and loading. If the setting is too low, then over-voltage stall prevention is easily activated, which may increase deceleration time.
- 📖 Related parameters:
 Pr.01-13, Pr.01-15, Pr.01-17, Pr.01-19 Deceleration Time 1–4, Pr.02-13 Multi-function Output 1 (Relay 1), Pr.02-16–Pr.02-17 Multi-function Output 2–3 (MO1, MO2), and Pr.06-02 Selection for Over-voltage Stall Prevention.

06-02 Selection for Over-voltage Stall Prevention

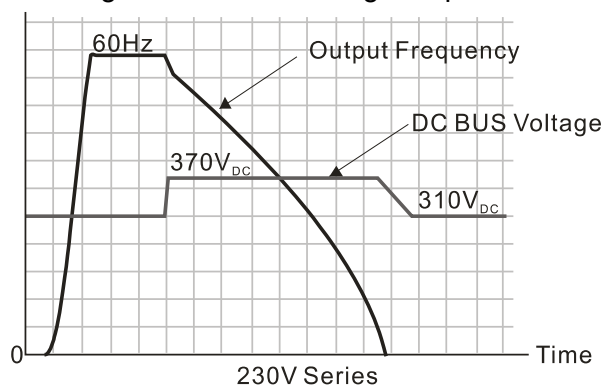
Default: 0

- Settings 0: Traditional over-voltage stall prevention
- 1: Smart over-voltage stall prevention

- Use this function when you are unsure about the load inertia. When stopping under normal load, the over-voltage does not occur during deceleration and meet the deceleration time setting. Sometimes it may not stop due to over-voltage during decelerating to STOP when the load regenerative inertia increases. In this case, the AC motor drive extends the deceleration time automatically until the drive stops.
- When you set Pr.06-02 to 0, during deceleration the motor exceeds the synchronous speed due to load inertia. In this case, the motor becomes an electrical generator. The DC bus voltage may exceed its maximum allowable value due to motor regeneration in some situations, such as motor's loading inertia being too high or drive's deceleration time being set too short. When you enable traditional over-voltage stall prevention and the DC bus voltage detected is too high, the drive stops decelerating (output frequency remains unchanged) until the DC bus voltage drops below the setting value.



- When you set Pr.06-02 to 1 to use smart over-voltage stall prevention during deceleration, the drive maintains the DC bus voltage when decelerating and prevents the drive from OV.



When you enable the over-voltage stall prevention, the drive's deceleration time is longer than the setting. If you encounter any problem with the deceleration time, refer to the following guides for troubleshooting.

1. Increase the deceleration time to a proper value.
2. Install a brake resistor (refer to Section 7-1 Brake Resistors and Brake Units Used in AC Motor Drives for details) to dissipate the electrical energy that is generated from the motor.

Related parameters:

Pr.01-13, Pr.01-15, Pr.01-17, Pr.01-19 Deceleration Time 1–4, Pr.02-13 Multi-function Output 1 (Relay 1), Pr.02-16–Pr.02-17 Multi-function Output 2–3 (MO1, MO2), and Pr.06-01 Over-voltage Stall Prevention.

06-03 Over-current Stall Prevention during Acceleration

Default: 120 / 180

Settings Normal load: 0–150%
(100% corresponds to the rated current of the drive)
Heavy load: 0–200%
(100% corresponds to the rated current of the drive)

In heavy load (Pr.00-16=1), if the DC voltage is higher than the 875 V_{DC} (575V series), 700 V_{DC} (460V series) or 350 V_{DC} (230 series), the maximum value for Pr.06-03 is 185%.

If the motor load is too large or the drive's acceleration time is too short, the output current of the drive may be too high during acceleration, and it may cause motor damage or trigger the drive's protection functions (OL or OC). Use this parameter to prevent these situations.

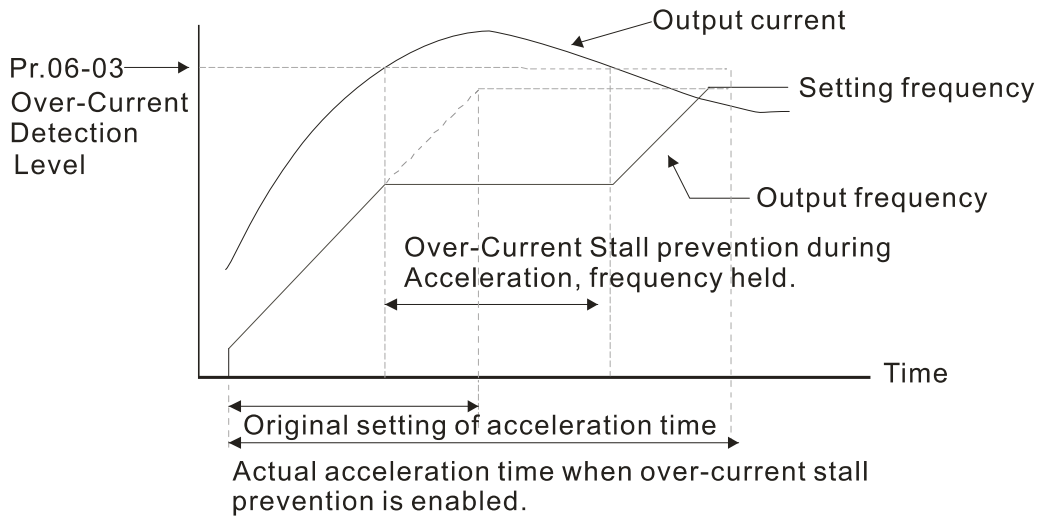
During acceleration, the output current of the drive may increase abruptly and exceed the setting value of Pr.06-03. In this case, the drive stops accelerating and keeps the output frequency constant, and then continues to accelerate until the output current decreases.

When you enable the over-current stall prevention, the drive's acceleration time is longer than the setting.

When the over-current stall prevention occurs because the motor capacity is too small or operates in the default, decrease the Pr.06-03 setting value.

If you encounter any problem with the acceleration time, refer to the following guides for troubleshooting.

1. Increase the deceleration time to a proper value.
2. Set Pr.01-44 Auto-Acceleration and Auto-Deceleration Setting to 1, 3 or 4 (auto-acceleration)
3. Related parameters: Pr.01-12, 01-14, 01-16, 01-18 (Acceleration Time 1–4), Pr.01-44 Auto-Acceleration and Auto-Deceleration Setting, Pr.02-13 Multi-function Output 1 (Relay 1), Pr.02-16–02-17 Multi-function Output 2–3 (MO1, MO2)



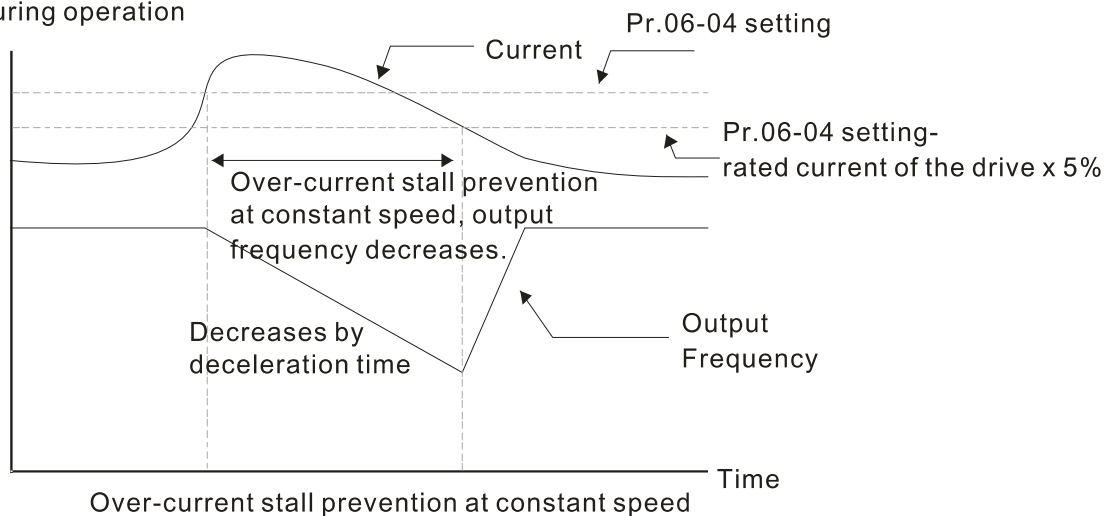
06-04 Over-current Stall Prevention during Operation

Default: 120 / 180

Settings Normal load: 0–150%
 (100% corresponds to the rated current of the drive)
 Heavy load: 0–200%
 (100% corresponds to the rated current of the drive)

- In heavy load (Pr.00-16=1), if the DC voltage is higher than the 875 V_{DC} (575V series), 700 V_{DC} (460V series) or 350 V_{DC} (230 series), the maximum value for Pr.06-04 is 185%.
- This is a protection for the drive to decrease output frequency automatically when the motor overloads abruptly during constant motor operation.
- If the output current exceeds the setting value for Pr.06-04 when the drive is operating, the drive decelerates according to the Pr.06-05 setting to prevent the motor from stalling. If the output current is lower than the setting value for Pr.06-04, the drive accelerates (according to Pr.06-05) again to the setting frequency.


Pr.06-04
 Over-current stall prevention level during operation



06-05 Acceleration/Deceleration Time Selection for Stall Prevention at Constant Speed

Default: 0

- Settings
- 0: By current acceleration / deceleration time
 - 1: By the first acceleration / deceleration time
 - 2: By the second acceleration / deceleration time
 - 3: By the third acceleration / deceleration time
 - 4: By the fourth acceleration / deceleration time
 - 5: By auto-acceleration / auto-deceleration
-

 Sets the acceleration / deceleration time selection when stall prevention occurs at constant speed.

06-06 Over-torque Detection Selection (Motor 1)


Default: 0


- Settings
- 0: No function
 - 1: Continue operation after over-torque detection during constant speed operation
 - 2: Stop after over-torque detection during constant speed operation
 - 3: Continue operation after over-torque detection during RUN
 - 4: Stop after over-torque detection during RUN

06-09 Over-torque Detection Selection (Motor 2)

Default: 0

- Settings
- 0: No function
 - 1: Continue operation after over-torque detection during constant speed operation
 - 2: Stop after over-torque detection during constant speed operation
 - 3: Continue operation after over-torque detection during RUN
 - 4: Stop after over-torque detection during RUN
-

 When you set Pr.06-06 and Pr.06-09 to 1 or 3, a warning message displays but there is no error record.

 When you set Pr.06-06 and Pr.06-09 to 2 or 4, an error message displays and there is an error record.

06-07 Over-torque Detection Level (Motor 1)

Default: 120

- Settings 10–250% (100% corresponds to the rated current of the drive)

06-08 Over-torque Detection Time (Motor 1)

Default: 0.1

- Settings 0.1–60.0 sec.

↖ **06-10** Over-torque Detection Level (Motor 2)

Default: 120

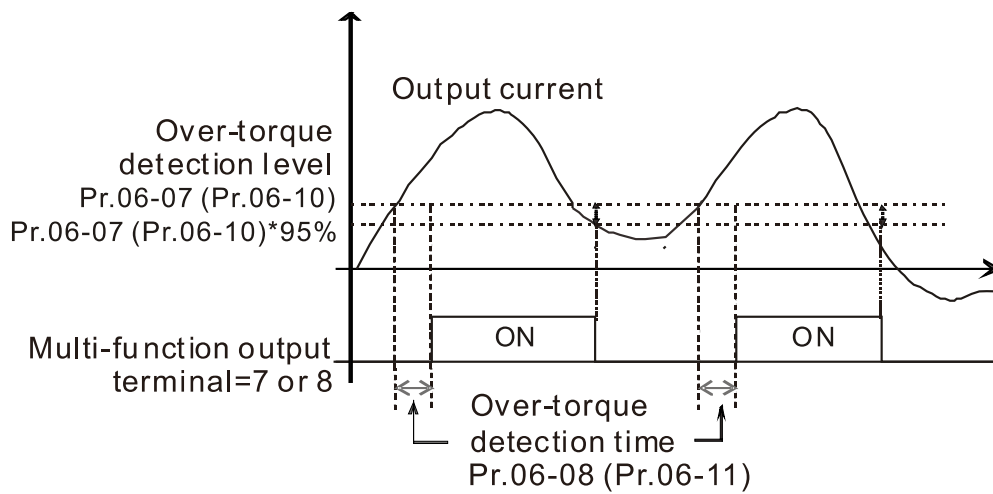
Settings 10–250% (100% corresponds to the rated current of the drive)

↖ **06-11** Over-torque Detection Time (Motor 2)

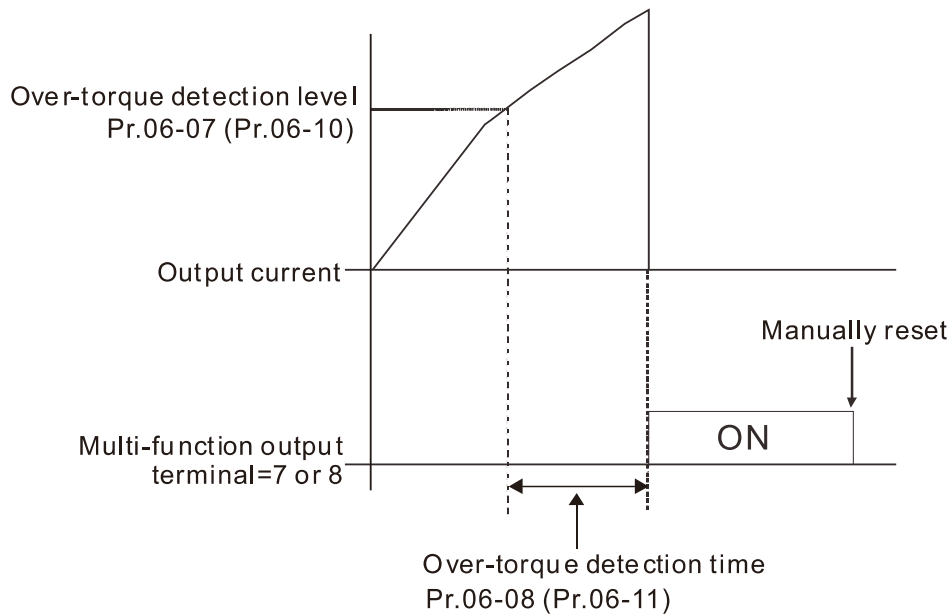
Default: 0.1

Settings 0.1–60.0 sec.

- 📖 When the output current exceeds the over-torque detection level (Pr.06-07 or Pr.06-10) and also exceeds the over-torque detection time (Pr.06-08 or Pr.06-11), the over-torque detection follows the setting of Pr.06-06 and Pr.06-09.
- 📖 When you set Pr.06-06 or Pr.06-09 to 1 or 3, an ot1 / ot2 warning displays while the drive keeps running after over-torque detection. The warning remains on until the output current is smaller than 5% of the over-torque detection level.



- 📖 When you set Pr.06-06 or Pr.06-09 to 2 or 4, an ot1 / ot2 warning displays and the drive stops running after over-torque detection. The drive does not run until you manually reset it.



↗ **06-12** Current Limit

Default: 150

Settings 0–250% (100% corresponds to the rated current of the drive)

↗ **06-13** Electronic Thermal Relay Selection 1 (Motor 1)

↗ **06-27** Electronic Thermal Relay Selection 2 (Motor 2)

Default: 2

Settings 0: Inverter motor (with external forced cooling)
 1: Standard motor (motor with fan on the shaft)
 2: Disable

- 📖 Prevents self-cooled motor from overheating under low speed. Use an electronic thermal relay to limit the drive’s output power.
- 📖 Setting the parameter to 0 is suitable for an inverter motor (motor fan using an independent power supply). For this kind of motor, there is no significant correlation between cooling capacity and motor speed. Therefore, the action of electronic thermal relays remains stable in low speed to ensure the load capability of the motor in low speed.
- 📖 Setting the parameter to 1 is suitable for standard motor (motor fan is fixed on the rotor shaft). For this kind of motor, the cooling capacity is lower in low speed; therefore, the action of an electronic thermal relay reduces the action time to ensure the life of motor.
- 📖 When the power is cycled frequently, if the power is switched OFF, the electronic thermal relay protection is reset; therefore, even setting the parameter to 0 or 1 may not protect the motor well. If there are several motors connected to one drive, install an electronic thermal relay in each motor.

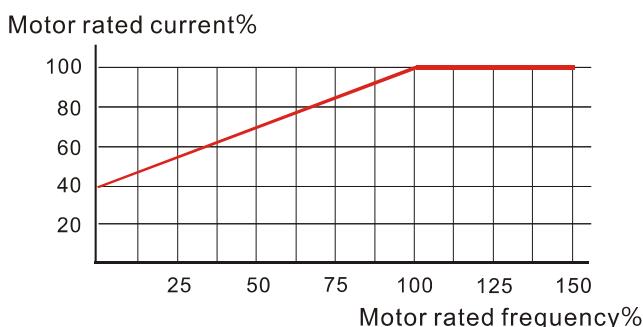
↗ **06-14** Electronic Thermal Relay Action Time 1 (Motor 1)

↗ **06-28** Electronic Thermal Relay Action Time 2 (Motor 2)

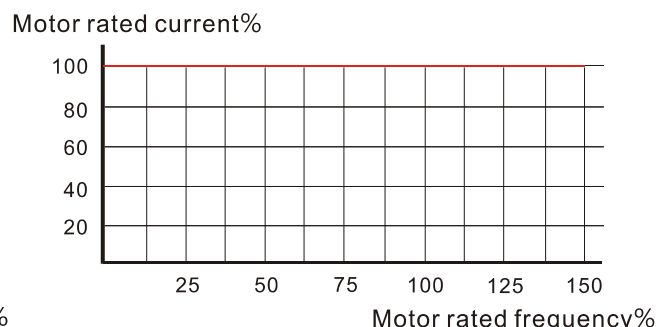
Default: 60.0

Settings 30.0–600.0 sec.

- 📖 Set the parameter to 150% of motor rated current and use with the setting of Pr.06-14 and Pr.06-28 to prevent motor damage due to overheating. When it reaches the setting, the drive displays “EoL1 / EoL2”, and the motor coasts to stop.
- 📖 Use this parameter to set the action time of the electronic thermal relay. It works based on the I2t characteristic curve of electronic thermal relay, the output frequency and current of the drive, and the operation time to prevent the motor from overheating.



Motor cooling curve with shaft-fixed fan



Motor cooling curve with independent fan

The action of the electronic thermal relay depends on the settings for Pr.06-13 and Pr.06-27.

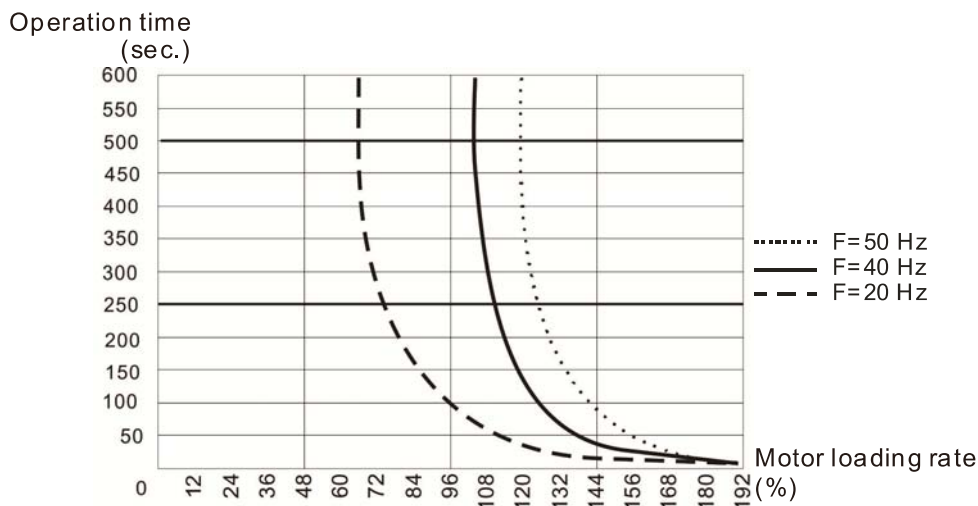
- Pr.06-13 or Pr.06-27 is set to 0 (using inverter motor):

When the output current of the drive is higher than 150% of the motor rated current (refer to the motor rated current % corresponded to the motor rated frequency in the motor cooling curve with independent fan), the drive starts to count the time. The electronic thermal relay acts when the accumulated time exceeds Pr.06-14 or Pr.06-28.

- Pr.06-13 or Pr.06-27 is set to 1 (using standard motor):

When the output current of the drive is higher than 150% of the motor rated current (refer to the motor rated current % corresponded to the motor rated frequency in the motor cooling curve with shaft-fixed fan), the drive starts to count the time. The electronic thermal relay acts when the accumulated time exceeds Pr.06-14 or Pr.06-28.

The actual electronic thermal relay action time adjusts according to the drive output current (shown as the motor loading rate %). The action time is short when the current is high, and the action time is long when the current is low. Refer to the following diagram.



06-15 Temperature Level Overheat (OH) Warning

Default: Depending on the model power




Settings 0.0–110.0°C

- Sets the drive’s internal IGBT overheat warning level. When the temperature is higher than Pr.06-15 setting, the oH1 fault displays and the warning remains but it does not affect the drive operation.
- Use this parameter to check the motor overheat in advance in order to take precautionary measures to decrease the temperature and maintain the motor’s normal operation.
- If you set the temperature 5°C higher than the maximum setting value for Pr.06-15, IGBT overheating occurs and the drive stops. Refer to Chapter 14 oH1 fault descriptions for details.

06-16 Stall Prevention Limit Level (Weak Magnetic Field Current Stall Prevention Level)

Default: 100

Settings 0–100% (Refer to Pr.06-03–Pr.06-04)

-  This parameter only works in VF, VFP, and SVC control mode.
-  Sets the over-current stall prevention level when the motor's operation frequency is larger than Pr.01-01 (base frequency).
-  Example: When Pr.06-03 = 150 %, Pr.06-04 = 100 % and Pr.06-16 = 80 %.
 - The over-current stall prevention level during acceleration:
Pr.06-03 * Pr.06-16 = 150 x 80 % = 120 %.
 - The over-current stall prevention level during operation:
Pr.06-04 * Pr.06-16 = 100 x 80 % = 80 %.

06-17 Fault Record 1**06-18** Fault Record 2**06-19** Fault Record 3**06-20** Fault Record 4**06-21** Fault Record 5**06-22** Fault Record 6




Default: 0





Settings 0: No fault record

- 1: Over-current during acceleration (ocA)
- 2: Over-current during deceleration (ocd)
- 3: Over-current during steady operation (ocn)
- 4: Ground fault (GFF)
- 6: Over-current at stop (ocS)
- 7: Over-voltage during acceleration (ovA)
- 8: Over-voltage during deceleration (ovd)
- 9: Over-voltage during constant speed (ovn)
- 10: Over-voltage at stop (ovS)
- 11: Low-voltage during acceleration (LvA)
- 12: Low-voltage during deceleration (Lvd)
- 13: Low-voltage during constant speed (Lvn)
- 14: Low-voltage at stop (LvS)
- 15: Phase loss protection (orP)
- 16: IGBT overheating (oH1)
- 18: IGBT temperature detection failure (tH1o)
- 21: Over load (oL)
- 22: Electronic thermal relay 1 protection (EoL1)
- 23: Electronic thermal relay 2 protection (EoL2)
- 24: Motor PTC overheating (oH3)
- 26: Over torque 1 (ot1)

- 27: Over torque 2 (ot2)
- 28: Under current (uC)
- 31: EEPROM read error (cF2)
- 33: U-phase error (cd1)
- 34: V-phase error (cd2)
- 35: W-phase error (cd3)
- 36: cc (current clamp) hardware error (Hd0)
- 37: oc (over-current) hardware error (Hd1)
- 40: Auto-tuning error (AUE)
- 41: PID loss ACI (AFE)
- 43: PG feedback loss (PGF2)
- 44: PG feedback stall (PGF3)
- 45: PG slip error (PGF4)
- 48: ACI loss (ACE)
- 49: External fault (EF)
- 50: Emergency stop (EF1)
- 51: External base block (bb)
- 52: Password is locked (Pcod)
- 54: Illegal command (CE1)
- 55: Illegal data address (CE2)
- 56: Illegal data value (CE3)
- 57: Data is written to read-only address (CE4)
- 58: Modbus transmission time-out (CE10)
- 61: Y-connection / Δ -connection switch error (ydc)
- 62: Deceleration energy backup error (dEb)
- 63: Over slip error (oSL)
- 72: STO Loss (STL1)
- 76: STO (STo)
- 77: STO Loss 2 (STL2)
- 78: STO Loss 3 (STL3)
- 79: U-phase over-current before run (Aoc)
- 80: V-phase over-current before run (boc)
- 81: W-phase over-current before run (coc)
- 82: Output phase loss U phase (oPL1)
- 83: Output phase loss V phase (oPL2)
- 84: Output phase loss W phase (oPL3)
- 87: Low frequency overload protection (oL3)
- 89: Rotor position detection error (roPd)
- 101: CANopen guarding error (CGdE)
- 102: CANopen heartbeat error (CHbE)
- 104: CANopen bus off error (CbFE)
- 105: CANopen index error (CidE)


- 106: CANopen station address error (CAde)
- 107: CANopen memory error (CFrE)
- 111: InrCOM time-out error (ictE)
- 121: Internal communication error (CP20)
- 123: Internal communication error (CP22)
- 124: Internal communication error (CP30)
- 126: Internal communication error (CP32)
- 127: Internal communication error (CP33)
- 128: Over-torque 3 (ot3)
- 129: Over-torque 4 (ot4)
- 134: Internal communication error (EoL3)
- 135: Internal communication error (EoL4)
- 140: Oc hardware error (Hd6)
- 141: GFF occurs before run (b4GFF)
- 142: Auto-tune error 1 (DC test stage) (AuE1)
- 143: Auto-tune error 2 (High frequency test stage) (AuE2)
- 144: Auto-tune error 3 (Rotary test stage) (AuE3)

-  The parameters record when the fault occurs and forces a stop.
-  When low-voltage at stop fault (LvS) occurs, the fault is not recorded. When low-voltage during operation faults (LvA, Lvd, Lvn) occur, the faults are recorded.
-  When dEb function is valid and enabled, the drive executes dEb and records fault code 62 to Pr.06-17–Pr.06-22 and Pr.14-70–Pr.14-73 simultaneously.

	06-23	Fault Output Option 1
	06-24	Fault Output Option 2
	06-25	Fault Output Option 3
	06-26	Fault Output Option 4

Default: 0

Settings 0–65535 (refer to bit table for fault code)

-  Use these parameters with multi-function output terminal (set Pr.06-23–Pr.06-26 to 35–38) for the specific requirement. When a fault occurs, the corresponding terminals are activated. Convert the binary value to a decimal value before you enter the value for Pr.06-23–Pr.06-26.

Fault Code	bit 0	bit 1	bit 2	bit 3	bit 4	bit 5	bit 6
	current	Volt.	OL	SYS	FBK	EXI	CE
0: No fault record							
1: Over-current during acceleration (ocA)	●						
2: Over-current during deceleration (ocd)	●						
3: Over-current during steady operation (ocn)	●						
4: Ground fault (GFF)	●						
6: Over-current at stop (ocS)	●						
7: Over-voltage during acceleration (ovA)		●					

Fault Code	bit 0	bit 1	bit 2	bit 3	bit 4	bit 5	bit 6
	current	Volt.	OL	SYS	FBK	EXI	CE
8: Over-voltage during deceleration (ovd)		●					
9: Over-voltage during constant speed (ovn)		●					
10: Over-voltage at stop (ovS)		●					
11: Low-voltage during acceleration (LvA)		●					
12: Low-voltage during deceleration (Lvd)		●					
13: Low-voltage during constant speed (Lvn)		●					
14: Low-voltage at stop (LvS)		●					
15: Phase loss protection (orP)		●					
16: IGBT over-heat (oH1)			●				
18: IGBT temperature detection failure (tH1o)			●				
21: Drive over-load (oL)			●				
22: Electronics thermal relay 1 protection (EoL1)			●				
23: Electronics thermal relay 2 protection (EoL2)			●				
24: Motor PTC overheating (oH3)			●				
26: Over torque 1 (ot1)			●				
27: Over torque 2 (ot2)			●				
28: Under current (uC)	●						
31: EEPROM read error (cF2)				●			
33: U-phase error (cd1)				●			
34: V-phase error (cd2)				●			
35: W-phase error (cd3)				●			
36: cc (current clamp) hardware error (Hd0)				●			
37: oc (over-current) hardware error (Hd1)				●			
40: Auto-tuning error (AUE)				●			
41: PID loss ACI (AFE)					●		
43: PG feedback loss (PGF2)					●		
44: PG feedback stall (PGF3)					●		
45: PG slip error (PGF4)					●		
48: ACI loss (ACE)					●		
49: External fault (EF)						●	
50: Emergency stop (EF1)						●	
51: External base block (bb)						●	
52: Password is locked (Pcod)				●			
54: Illegal command (CE1)							●
55: Illegal data address (CE2)							●
56: Illegal data value (CE3)							●

Fault Code	bit 0	bit 1	bit 2	bit 3	bit 4	bit 5	bit 6
	current	Volt.	OL	SYS	FBK	EXI	CE
57: Data is written to read-only address (CE4)							●
58: Modbus transmission time-out (CE10)							●
61: Y-connection / Δ -connection switch error (ydc)						●	
62: Deceleration energy backup error (dEb)		●					
63: Over slip error (oSL)						●	
72: STO Loss (STL1)				●			
76: STO (STo)				●			
77: STO Loss 2 (STL2)				●			
78: STO Loss 3 (STL3)				●			
79: U-phase over-current before run (Aoc)	●						
80: V-phase over-current before run (boc)	●						
81: W-phase over-current before run (coc)	●						
82: U-phase output phase loss (oPL1)	●						
83: V-phase output phase loss (oPL2)	●						
84: W-phase output phase loss (oPL3)	●						
87: Low frequency overload protection (oL3)			●				
89: Rotor position detection error (roPd)					●		
101: CANopen guarding error (CGdE)							●
102: CANopen heartbeat error (CHbE)							●
104: CANopen bus off error (CbFE)							●
105: CANopen index error (CidE)							●
106: CANopen slave station setting error (CAde)							●
107: CANopen index setting exceed limit (CFrE)							●
111: InrCOM time-out error (ictE)							●
121: Internal communication error (CP20)							●
123: Internal communication error (CP22)							●
124: Internal communication error (CP30)							●
126: Internal communication error (CP32)							●
127: Internal communication error (CP33)				●			
128: Over-torque 3 (ot3)			●				
129: Over-torque 4 (ot4)			●				
134: Electronics thermal relay 3 protection (EoL3)			●				
135: Electronics thermal relay 4 protection (EoL4)			●				
140: Oc hardware error (Hd6)				●			

Fault Code	bit 0	bit 1	bit 2	bit 3	bit 4	bit 5	bit 6
	current	Volt.	OL	SYS	FBK	EXI	CE
141: GFF occurs before run (b4GFF)				●			
142: Auto-tuning error 1 (no feedback current error) (AUE1)				●			
143: Auto-tuning error 2 (motor phase loss error) (AUE2)				●			
144: Auto-tuning error 3 (no-load current I ₀ measuring error) (AUE3)				●			

⚡ **06-29** PTC Detection Selection

Default: 0

- Settings
- 0: Warn and continue operation
 - 1: Fault and ramp to stop
 - 2: Fault and coast to stop
 - 3: No warning

📖 Sets the operation mode of a drive after detecting PTC.

⚡ **06-30** PTC Level

Default: 50.0

Settings 0.0–100.0 %

📖 Sets AVI / ACI analog input function Pr.03-00–03-01 to 6 [thermistor (PTC) input value].

📖 Use this parameter to set the PTC level; 100% PTC level corresponds to the maximum analog input value.

📖 When using the AVI terminal, you must set Pr.03-28 to 1 and switch AVI voltage to 0–10 V. At this time, the AVI input impedance is 20 KΩ.

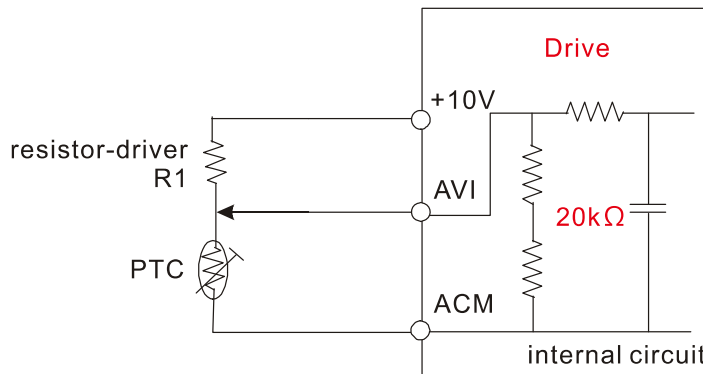
📖 When the temperature reaches to the set protection level, the motor acts according to the settings for Pr.06-29 and displays warning “oH3” (if Pr.06-29 = 1–3). When the temperature is lower than the set protection level, you can press RESET key to clear the fault.

📖 The PTC uses the AVI-input and is connected through divider resistance as shown below:

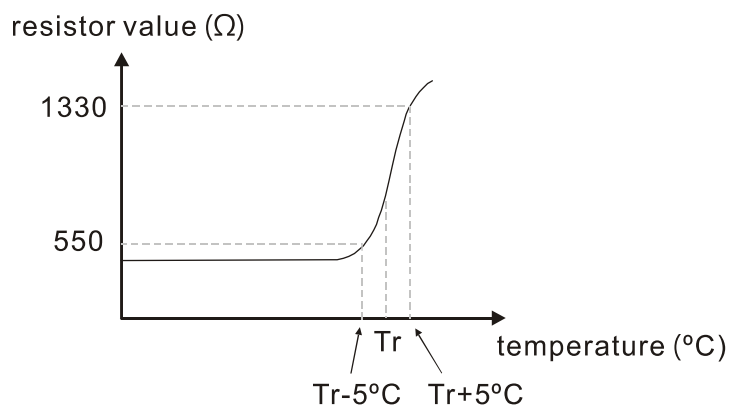
1. The voltage between +10V to ACM: lies within 10–11V.
2. The impedance for AVI is around 20K Ω. Recommended value for divider resistance is 1K–10K Ω.
3. Please contact your motor dealer for the curve of temperature and resistance value for PTC.

$$\text{Protection level (Pr.06-30)} = V+10 * (R_{PTC} // 20K) / [R1 + (R_{PTC} // 20K)]$$

- V+10: voltage between +10V-ACM actual value, Range 10.4~11.2V_{DC};
- R_{PTC}: motor PTC overheat protection level;
- 20K Ω: the AVI input impedance;
- R1: divider resistance (recommended value: 1–10k Ω)



Take the standard PTC thermistor as an example: if the protection level is 1330 Ω, the actual voltage between +10V-ACM is 10.5 V and divider resistance R1 is 4.4k Ω.



Refer to the following calculation when Pr.06-30 is set to 23% and motor temperature overheating protection level is 1330 Ω:

$$1330/20000 = (1330*20000) / (1330+20000) = 1247.07$$

$$10.5 * 1247.07 / (4400+1247.07) = 2.32 (V) \approx 2.3 (V)$$

$$Pr.06-30 = 2.3 / 10 V * \% = 23\%$$

06-31 Frequency Command at Malfunction

Default: Read only

Settings 0.00–599.00 Hz

When a malfunction occurs, check the current Frequency command. If it happens again, it overwrites the previous record.

06-32 Output Frequency at Malfunction

Default: Read only

Settings 0.00–599.00 Hz

When a malfunction occurs, check the current output frequency. If it happens again, it overwrites the previous record.

06-33 Output Voltage at Malfunction

Default: Read only

Settings 0.0–6553.5 V

When a malfunction occurs, check the current output voltage. If it happens again, it overwrites the previous record.

06-34 DC bus Voltage at Malfunction

Default: Read only

Settings 0.0–6553.5 V

When a malfunction occurs, check the current DC bus voltage. If it happens again, it overwrites the previous record.

06-35 Output Current at Malfunction

Default: Read only

Settings 0.00–655.35 Amp

When a malfunction occurs, check the current output current. If it happens again, it overwrites the previous record.

06-36 IGBT Temperature at Malfunction

Default: Read only

Settings -3276.7–3276.7 °C

When a malfunction occurs, check the current IGBT temperature. If it happens again, it overwrites the previous record.

06-38 Motor Speed at Malfunction

Default: Read only

Settings -32767–32767 rpm

When a malfunction occurs, check the current motor speed in rpm. If it happens again, it overwrites the previous record.

06-39 Torque Command at Malfunction

Default: Read only

Settings -32767–32767%

When a malfunction occurs, check the current torque command. If it happens again, it overwrites the previous record.

06-40 Status of the Multi-function Input Terminal at Malfunction

Default: Read only

Settings 0000h–FFFFh

06-41 Status of the Multi-function Output Terminal at Malfunction

Default: Read only

Settings 0000h–FFFFh

When a malfunction occurs, check the current status of the multi-function input/output terminals. If it happens again, it overwrites the previous record.

06-42 Drive Status at Malfunction

Default: Read only

Settings 0000h–FFFFh

When a malfunction occurs, check the current drive status (communication address 2101H). If it happens again, it overwrites the previous record.

➤ **06-44** STO Latch Selection

Default: 0

- Settings 0: STO Latch
1: STO No Latch

- 📖 Pr.06-44 = 0: STO Alarm Latch. After you clear the cause of the STO Alarm, use a Reset command to clear the STO Alarm.
- 📖 Pr.06-44 = 1: STO Alarm no Latch. After you clear the cause of the STO Alarm, the STO Alarm clears automatically.
- 📖 All of the STL1–STL3 errors are “Alarm Latch” mode (in STL1–STL3 mode, the Pr.06-44 function is not available).

➤ **06-45** Output Phase Loss Detection Action (OPHL)

Default: 3

- Settings 0: Warn and continue operation
1: Fault and ramp to stop
2: Fault and coast to stop
3: No warning

📖 The OPHL protection is enabled when Pr.06-45 is not set to 3.

➤ **06-46** Detection Time for Output Phase Loss

Default: 0.500

- Settings 0.000–65.535 sec.

➤ **06-47** Current Detection Level for Output Phase Loss

Default: 1.00

- Settings 0.00–100.00%

➤ **06-48** DC Brake Time for Output Phase Loss

Default: 0.000

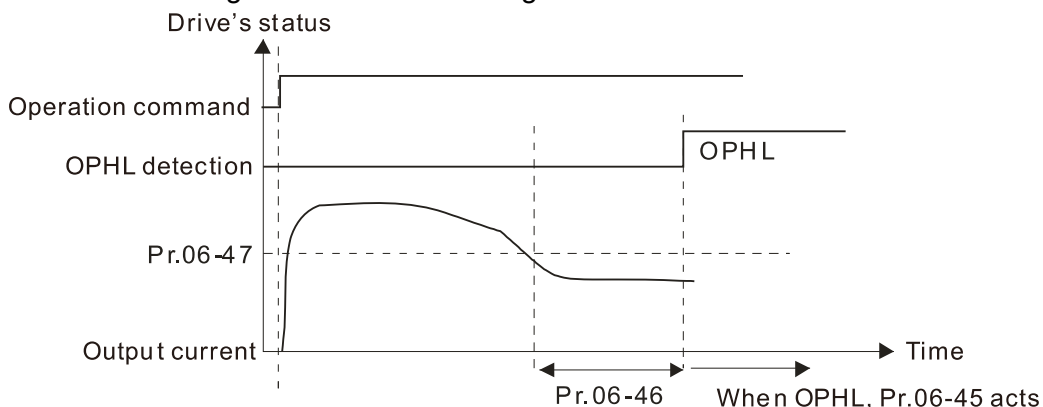
- Settings 0.000–65.535 sec.

📖 Setting Pr.06-48 to 0 disables the OPHL detection function before operation.

📖 Status 1:

The drive is in operation

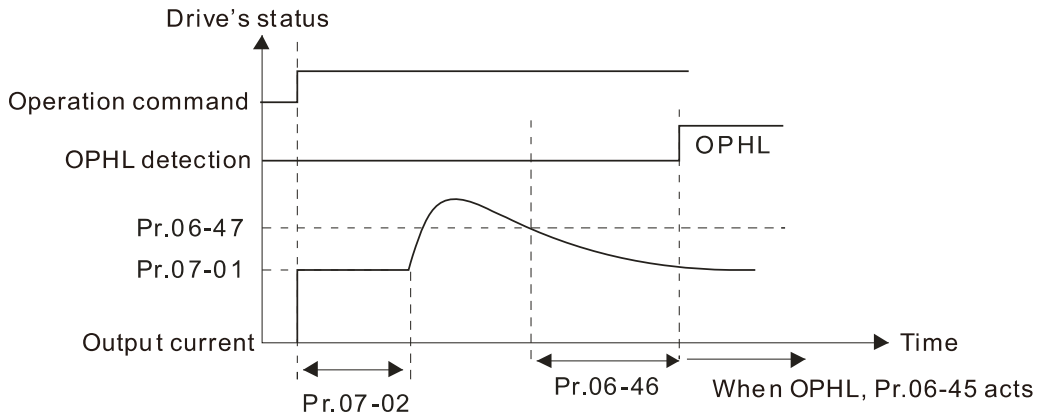
When any phase is less than the Pr.06-47 setting, and exceeds the Pr.06-46 setting time, the drive executes according to the Pr.06-45 setting.



Status 2:

The drive is in STOP; Pr.06-48 = 0; Pr.07-02 ≠ 0

After the drive starts, the DC brake operates according to Pr.07-01 and Pr.07-02. During this period, OPHL detection is not active. After the DC brake action is completed, the drive starts to run, and enables the OPHL protection as mentioned above for status 1.

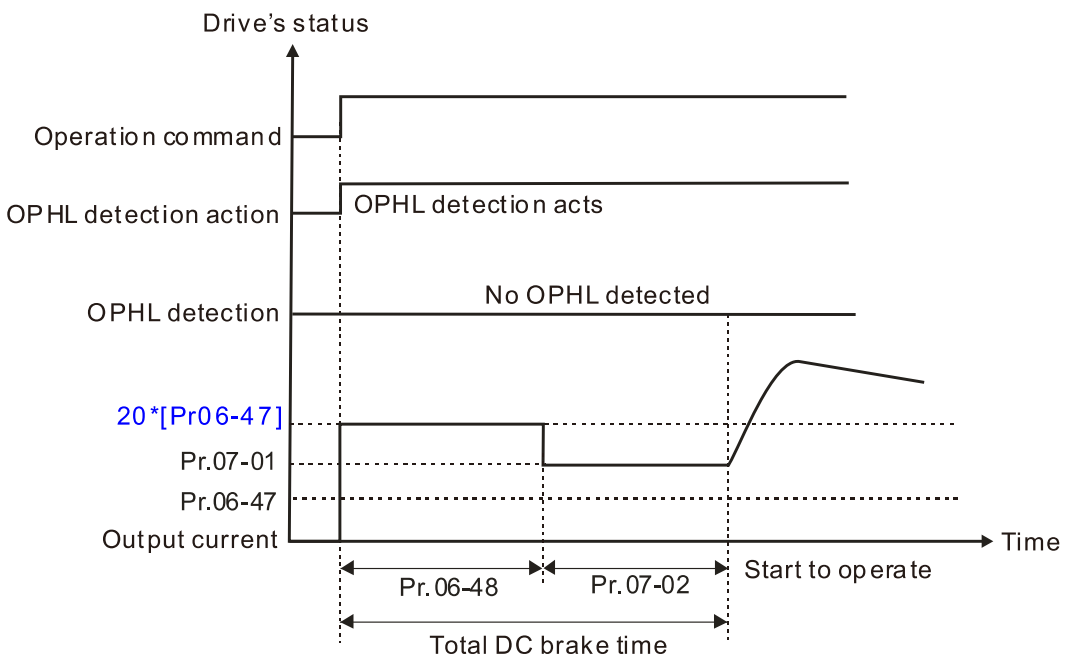


Status 3:

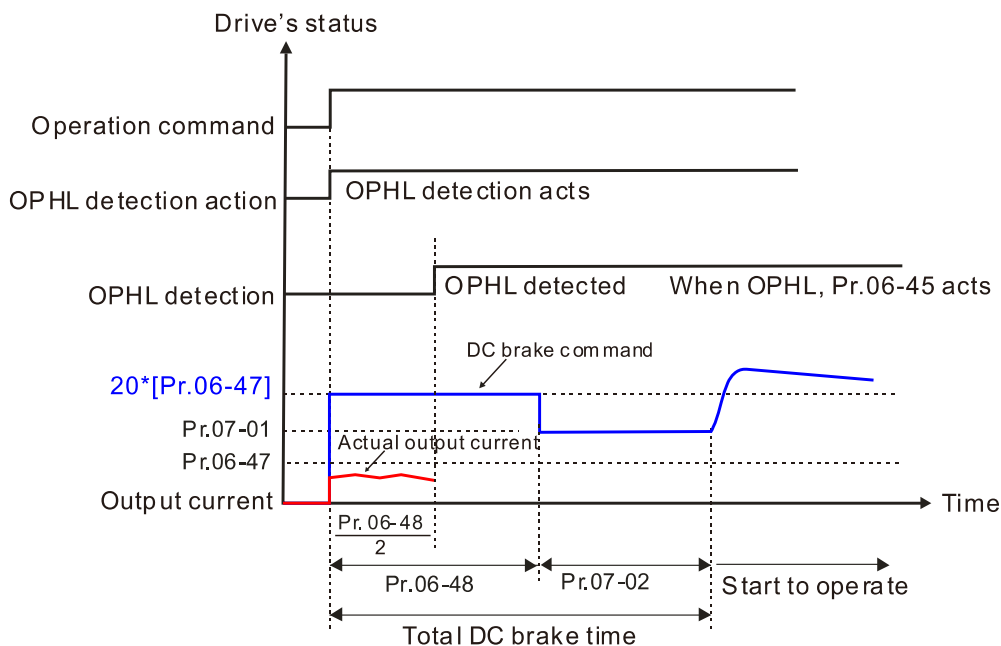
The drive is in STOP; Pr.06-48 ≠ 0; Pr.07-02 ≠ 0

When the drive starts, it executes Pr.06-48 first, and then executes Pr.07-02 (DC brake). The DC brake current level in this state includes two parts: one is 20 times the Pr.06-47 setting value in Pr.06-48 setting time; the other is the Pr.07-01 setting value in Pr.07-02 setting time. The total DC brake time $T = Pr.06-48 + Pr.07-02$. In this period, if an OPHL occurs within the time for Pr.06-48, the drive executes the Pr.06-45 setting after the drive starts counting for half the time of Pr.06-48.

Status 3-1: Pr.06-48≠0, Pr.07-02≠0 (No OPHL detected before operation)



Status 3-2: Pr.06-48≠0, Pr.07-02≠0 (OPHL detected before operation)

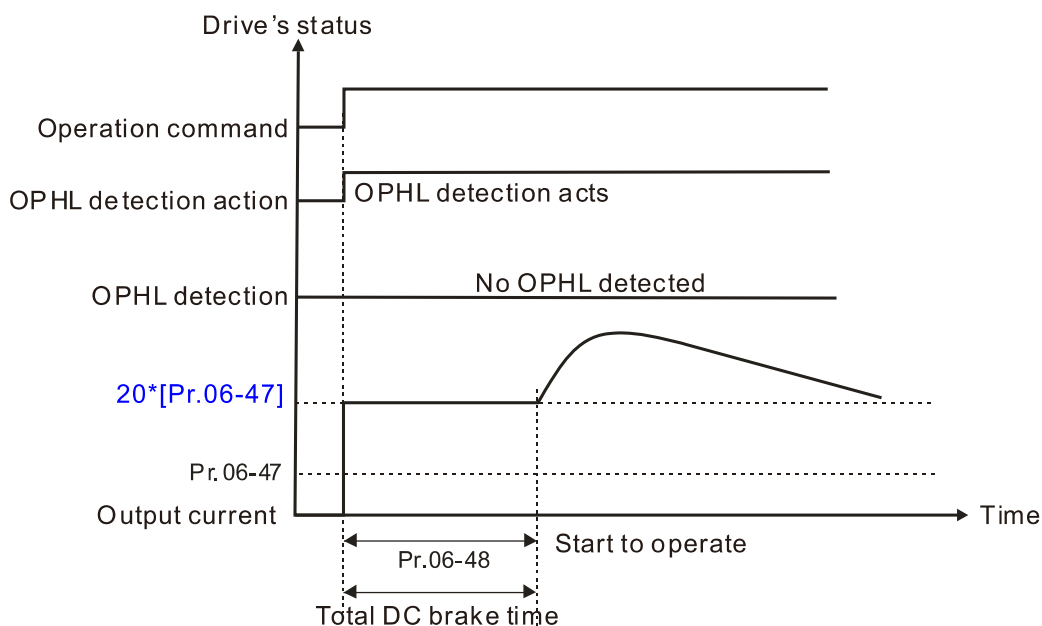


📖 Status 4:

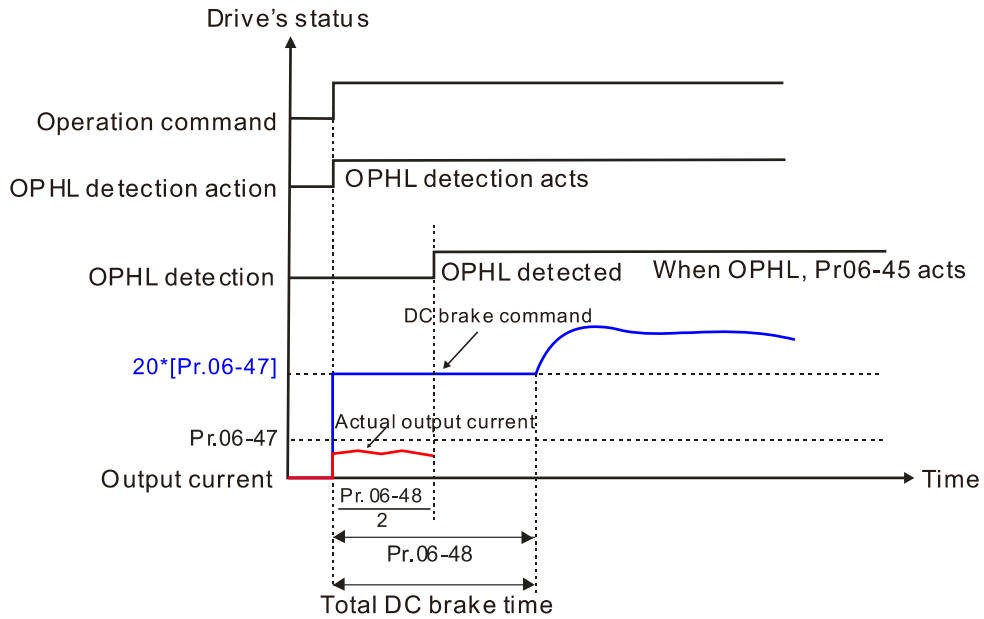
The drive is in STOP; Pr.06-48 ≠ 0; Pr.07-02=0

When the drive starts, it executes Pr.06-48 as the DC brake. The DC brake current level is 20 times the Pr.06-47 setting value. In this period, if an OPHL occurs within the time for Pr.06-48, the drive executes the Pr.06-45 setting after the drive starts counting for half the time of Pr.06-48.

Status 4-1: Pr.06-48≠0, Pr.07-02=0 (No OPHL detected before operation)



Status 4-2: Pr.06-48≠0, Pr.07-02=0 (OPHL detected before operation)



06-49 LvX Auto-reset

Default: 0

- Settings 0: Disable
- 1: Enable

06-53 Input Phase Loss Detection Action (OrP)

Default: 0

- Settings 0: Fault and ramp to stop
- 1: Fault and coast to stop

The drive executes the input phase loss protection according to Pr.06-53.

06-55 Derating Protection

Default: 0

- Settings 0: Constant rated current and limit carrier frequency by load current and temperature
- 1: Constant carrier frequency and limit load current by setting carrier frequency
- 2: Constant rated current (same as setting 0), but close current limit

Allowable maximum output frequency and the minimum carrier frequency limit in control mode:

For VF, SVC, VFPG modes:

When the maximum output frequency is 599 Hz, the minimum carrier frequency is 6 k.

Setting 0:

When the operating point is greater than the derating curve (when the operating carrier frequency is greater than the rated carrier frequency), the rated current is constant, and carrier frequency (F_c) output by the drive decreases automatically according to the ambient temperature, overload output current and overload time. If overloads are not frequent, and the concern is only about the carrier frequency operating with the rated current for a long time, and changes to the carrier frequency due to short overload are acceptable, set to 0.

Refer to the Section 9-7 Derating for Ambient Temperature, Altitude and Carrier Frequency for the carrier frequency derating level.

Take VFD9A0MS43ANSAA in normal load as an example: ambient temperature 50°C, UL open-type, and independent installation. When the carrier frequency is set to 10 kHz, it corresponds to 55% of the rated output current. In the same condition for ambient temperature 40°C, it corresponds to 75% of rated output current. When the output current is higher than this value, it automatically decreases the carrier frequency according to the ambient temperature, output current and overload time. At this time, the overload capacity of the drive is 150% of the rated current.

Setting 1:

When the operating point exceeds the derating curve 1, the carrier frequency is the setting value. Select this mode if the change of carrier frequency and motor noise caused by ambient temperature and frequent overload are not allowed. (Refer to Pr.00-17.)


Refer to Section 9-7 Derating for Ambient Temperature, Altitude and Carrier Frequency for the rated current derating level. Take VFD9A0MS43ANSAA in normal load as an example. If you need to maintain the carrier frequency at 10 kHz, decrease the rated current to 55%. The OL protection executes when the current is $120\% \times 55\% = 66\%$ for one minute; therefore, you must operate using the values within the derating curve to keep the carrier frequency constant.

Setting 2:



The protection method and action are the same as setting value 0, but it disables the current limit when output current is the derating ratio $\times 120\%$ (default value) in normal load and when the output current is the derating ratio $\times 180\%$ (default value) in heavy load. The advantage is that it provides a higher starting output current when the carrier frequency setting is higher than the default. However, the carrier frequency derates easily when it overloads.


Example: when Pr.06-55 = 0 or 1, over-current stall prevention level = Ratio * Pr.06-03. When Pr.06-55 = 2, the over-current stall prevention level = Pr.06-03.

 Use this parameter with Pr.00-16 and Pr.00-17.

 The ambient temperature also affects the derating. Refer to Section 9-7-1 Derating Curve for Ambient Temperature and Altitude.

Take VFD9A0MS43ANSAA in normal load as an example: ambient temperature 50°C, UL open-type, and independent installation. When the carrier frequency is set to 10 kHz, it corresponds to 55% of the rated output current. If used for ambient temperature 60°C, it corresponds to $55\% \times 75\%$ of the rated output current.

 06-56	PT100 Voltage Level 1	Default: 5.000
Settings 0.000–10.000 V		
 06-57	PT100 Voltage Level 2	Default: 7.000
Settings 0.000–10.000 V		

 Condition settings: PT100 voltage level Pr.06-57 > Pr.06-56.

⚡ **06-58** PT100 Level 1 Frequency Protection Default: 0.00

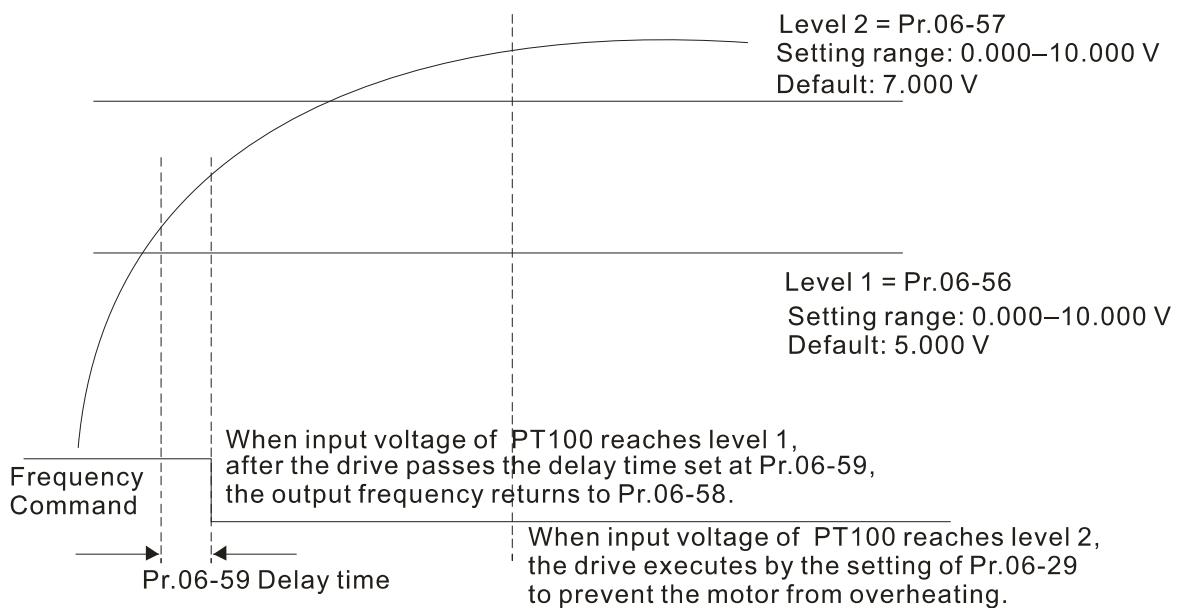
Settings 0.00–599.00 Hz

⚡ **06-59** PT100 Activation Level 1 Protection Frequency Delay Time Default: 60

Settings 0–6000 sec.

📖 PT100 operation instructions

1. Use voltage type analog input (AVI, ACI voltage 0–10 V) and select PT100 mode.
2. Select one of the voltage type analog inputs below:
(a) Pr.03-00 = 11, (b) Pr.03-01 = 11 and Pr.03-29 = 1
3. When selecting Pr.03-01 = 11 and Pr.03-29 = 1, you must switch AFM to 0–10 V.
4. The AFM outputs constant voltage or current, then Pr.03-20 = 23. You must switch ACM to 0–20 mA, and set AFM output level to 45% (Pr.03-32 = 45%) of 20 mA = 9 mA.
5. Use Pr.03-32 to adjust the constant voltage or constant current of the AFM output; the setting range is 0.00–100.00%.
6. There are two types of action levels for PT100. The diagram below shows the PT100 protection action.



📖 When Pr.06-58 = 0.00 Hz, PT100 function is disabled.

Case:

When using PT100, if the motor temperature is higher than 135°C (275°F), the drive starts to count the delay time for auto-deceleration (Pr.06-59). The drive decreases the motor frequency to the setting for Pr.06-58 when it reaches the delay time count value. The drive operates at the frequency set for Pr.06-58 until the motor temperature is lower than 135°C (275°F). If the motor temperature is higher than 150°C (302°F), the drive automatically decelerates to STOP and displays the warning “oH3”.

Set up process:

1. Switch AFM to 0–20 mA on the control board.
2. Wiring:
 Connect external terminal AFM to “+”
 Connect external terminal ACM to “-“
 Connect AFM and AVI to “short circuit”
3. Pr.03-00 = 11, Pr.03-20 = 23, Pr.03-32 = 45% (9 mA)
4. Refer to the RTD temperature and resistance comparison table
 Temperature = 135°C, resistance = 151.71 Ω, input current: 9 mA, voltage: about 1.37 V_{DC}
 Temperature = 150°C, resistance = 157.33 Ω, input current: 9 mA, voltage: about 1.42 V_{DC}
5. When the RTD temperature > 135°C, the drive decelerates to the specified operation frequency automatically. Then, Pr.06-56 = 1.37 V and Pr.06-58 = 10 Hz. (When Pr.06-58 = 0, it disables the specified operation frequency.)
6. When RTD temperature > 150°C, the drive outputs a fault, decelerates to STOP, and displays the warning “oH3”. Then, Pr.06-57 = 1.42 V and Pr.06-29 = 1 (fault and ramp to stop).

↗	06-60	Software Detection GFF Current Level	Default: 60.0
		Settings 0.0–6553.5%	

↗	06-61	Software Detection GFF Filter Time	Default: 0.10
		Settings 0.00–655.35 sec.	

When the drive detects that the unbalanced three-phase output current is higher than the setting for Pr.06-60, GFF protection activates. The drive then stops output.

06-63	Operation Time of Fault Record 1 (Day)
06-65	Operation Time of Fault Record 2 (Day)
06-67	Operation Time of Fault Record 3 (Day)
06-69	Operation Time of Fault Record 4 (Day)
06-90	Operation Time of Fault Record 5 (Day)
06-92	Operation Time of Fault Record 6 (Day)

Default: Read only

Settings 0–65535 days

06-64	Operation Time of Fault Record 1 (Min.)
06-66	Operation Time of Fault Record 2 (Min.)
06-68	Operation Time of Fault Record 3 (Min.)
06-70	Operation Time of Fault Record 4 (Min.)
06-91	Operation Time of Fault Record 5 (Min.)
06-93	Operation Time of Fault Record 6 (Min.)

Default: Read only

Settings 0–1439 min.

📖 If there is any malfunction when the drive operates, Pr.06-17-06-22 records the malfunctions, and Pr.06-63-06-70 records the operation time for four sequential malfunctions. Check if there is any problem with the drive according to the interval of the recorded fault.

Example:

The first error: ocA occurs after motor drive operates for 1000 minutes.

The second error: ocd occurs after another 1000 minutes.

The third error: ocn occurs after another 1000 minutes.

The fourth error: ocA occurs after another 1000 minutes.

The fifth error: ocd occurs after another 1000 minutes.

The sixth error: ocn occurs after another 1000 minutes.

Then, Pr.06-17-06-22 and Pr.06-63-06-70 are recorded as follows:

	1 st fault	2 nd fault	3 rd fault	4 th fault	5 th fault	6 th fault
Pr.06-17	ocA	ocd	ocn	ocA	ocd	ocn
Pr.06-18	0	ocA	ocd	ocn	ocA	ocd
Pr.06-19	0	0	ocA	ocd	ocn	ocA
Pr.06-20	0	0	0	ocA	ocd	ocn
Pr.06-21	0	0	0	0	ocA	ocd
Pr.06-22	0	0	0	0	0	ocA
Pr.06-63	1000	560	120	1120	680	240
Pr.06-64	0	1	2	2	3	4
Pr.06-65	0	1000	560	120	1120	680
Pr.06-66	0	0	1	2	2	3
Pr.06-67	0	0	1000	560	120	1120
Pr.06-68	0	0	0	1	2	2
Pr.06-69	0	0	0	1000	560	120
Pr.06-70	0	0	0	0	1	2

※ By examining the time record, you can see that the last fault (Pr.06-17) happened after the drive ran for four days and 240 minutes.

↘ **06-71** Low Current Setting Level

Default: 0.0

Settings 0.0-100.0%

↘ **06-72** Low Current Detection Time


Default: 0.00

Settings 0.00-360.00 sec.


↗ **06-73** Low Current Action

Default: 0

- Settings
- 0 : No function
 - 1 : Fault and coast to stop
 - 2 : Fault and ramp to stop by the second deceleration time
 - 3 : Warn and continue operation

 The drive operates according to the setting for Pr.06-73 when the output current is lower than the setting for Pr.06-71 and when the time of the low current exceeds the detection time for Pr.06-72.


Use this parameter with the external multi-function output terminal setting 44 (low current output).

 The low current detection function does not execute when drive is in sleep or standby status.

06-80 Fire Mode

Default: 0

- Settings
- 0: Disable
 - 1: Operates in a counterclockwise direction
 - 2: Operates in a clockwise direction

 Use this parameter with multi-function input terminal setting 58 or 59, and multi-function output terminal setting 53 or 54.

0: Fire detection is invalid.

1: The motor operates in a counterclockwise direction (U, V, W).

2: The motor operates in a clockwise direction (U, W, V).

↗ **06-81** Operating Frequency in Fire Mode

Default: 60.00

- Settings 0.00–599.00 Hz

06-88 Operation Times in Fire Mode

Default: Read only

- Settings 0–65535 times

[This page intentionally left blank]

07 Special Parameters

✎ You can set this parameter during operation.

✎ **07-00** Software Brake Chopper Action Level Default: 370.0 / 740.0 / 950.0

Settings 115V / 230V models: 350.0–450.0 V_{DC}
 460V models: 700.0–900.0 V_{DC}
 575V models: 875.0–1000.0 V_{DC}

📖 Sets the DC bus voltage at which the brake chopper is activated. Choose a suitable brake resistor to achieve the optimal deceleration performance. Refer to Chapter 7 Optional Accessories for information about brake resistors.

✎ **07-01** DC Brake Current Level Default: 0

Settings 0–100%

📖 Sets the level of the DC brake current output to the motor at start-up and stop. When setting the DC brake current, the rated current (Pr.00-01) is 100%. It is recommended that you start with a low DC brake current level and then increase until you reach the proper holding torque. However, the DC brake current cannot exceed the motor's rated current to prevent the motor from burnout. Therefore, DO NOT use the DC brake for mechanical retention, otherwise injury or accident may occur.

✎ **07-02** DC Brake Time at Start-up Default: 0.0

Settings 0.0–60.0 sec.

📖 The motor may continue rotating due to external forces or the inertia of the motor itself. If you use the drive with the motor rotating, it may cause motor damage or trigger drive protection due to over-current. This parameter outputs DC current, generating torque to force the motor stop to get a stable start before motor operation. This parameter determines the duration of the DC brake current output to the motor when the drive starts up. Set this parameter to 0.0 to disable the DC brake at start-up.

✎ **07-03** DC Brake Time at STOP Default: 0.0

Settings 0.0–60.0 sec.

📖 The motor may continue rotating after the drive stops output due to external forces or the inertia of the motor itself. This parameter outputs DC current, generating torque to force the motor stop after the drive stops output to make sure that the motor stops.

📖 This parameter determines the duration of the DC Brake current output to the motor when braking. To enable the DC brake at STOP, you must set Pr.00-22 (Stop Method) to 0 (ramp to stop). Set this parameter to 0.0 to disable the DC brake at stop.

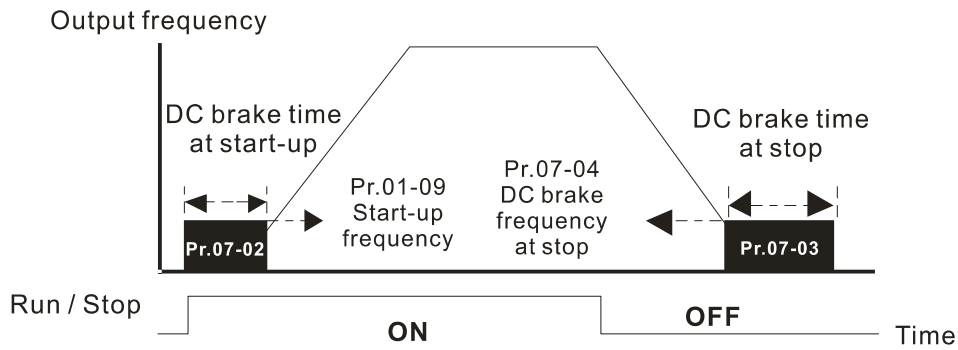
📖 Related parameters: Pr.00-22 Stop Method, Pr.07-04 DC Brake Frequency at Start-up

07-04 DC Brake Frequency at STOP

Default: 0.00

Settings 0.00–599.00 0 Hz

Determines the start frequency of the DC brake before the drive ramps to stop. When this setting is less than Pr.01-09 (Start-up Frequency), the start frequency for the DC brake begins at the minimum frequency.



DC Brake Output Timing Diagram

Use the DC brake before running the motor when the load is movable at stop, such as with fans and pumps. The motor is in free running status and in unknown rotation direction before the drive starts up. Execute the DC brake before you start the motor.

Use the DC Brake at STOP when you need to brake the motor quickly or to control the positioning, such as with cranes or cutting machines.

07-05 Voltage Increasing Gain

Default: 100

Settings 1–200%

When using speed tracking, adjust Pr.07-05 to slow down the increasing voltage gain if there are errors such as oL or oc; however, the speed tracking time will be longer.

07-06 Restart after Momentary Power Loss

Default: 0

Settings 0: Stop operation

1: Speed tracking by the speed before the power loss

2: Speed tracking by the minimum output frequency

Determines the operation mode when the drive restarts from a momentary power loss.

The power system connected to the drive may power off momentarily for many reasons. This function allows the drive to keep outputting voltages after the drive is repowered and does not cause the drive to stop.

1: Frequency tracking begins before momentary power loss and accelerates to the master Frequency command after the drive output frequency and motor rotator speed are synchronous. Use this setting when there is a lot of inertia with little resistance on the motor load. For example, in equipment with a large inertia flywheel, there is NO need to wait until the flywheel stops completely after a restart to execute the operation command; therefore, it saves time.

2: Frequency tracking starts from the minimum output frequency and accelerates to the master Frequency command after the drive output frequency and motor rotator speed are synchronous. Use this setting when there is little inertia and large resistance.

In PG control mode, the AC motor drive executes the speed tracking function automatically according to the PG speed when this setting is NOT set to 0.

07-07 Allowed Power Loss Duration

Default: 2.0

Settings 0.0–20.0 sec.

Determines the maximum time of allowable power loss. If the duration of a power loss exceeds this parameter setting, the AC motor drive stops output after the power recovers.

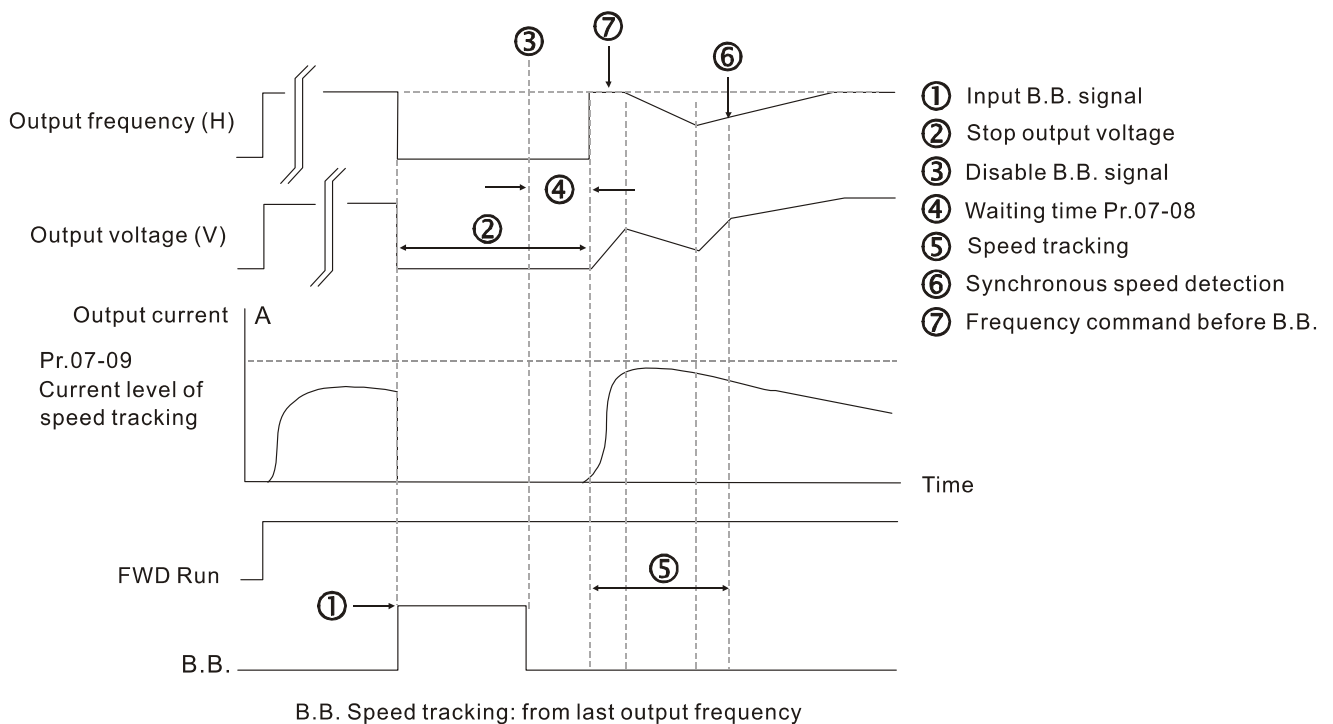
Pr.07-06 is valid when the maximum allowable power loss time is ≤ 20 seconds and the AC motor drive displays “LU”. If the AC motor drive is powered off due to overload, even if the maximum allowable power loss time is ≤ 20 seconds, Pr.07-06 is invalid after the power recovers.

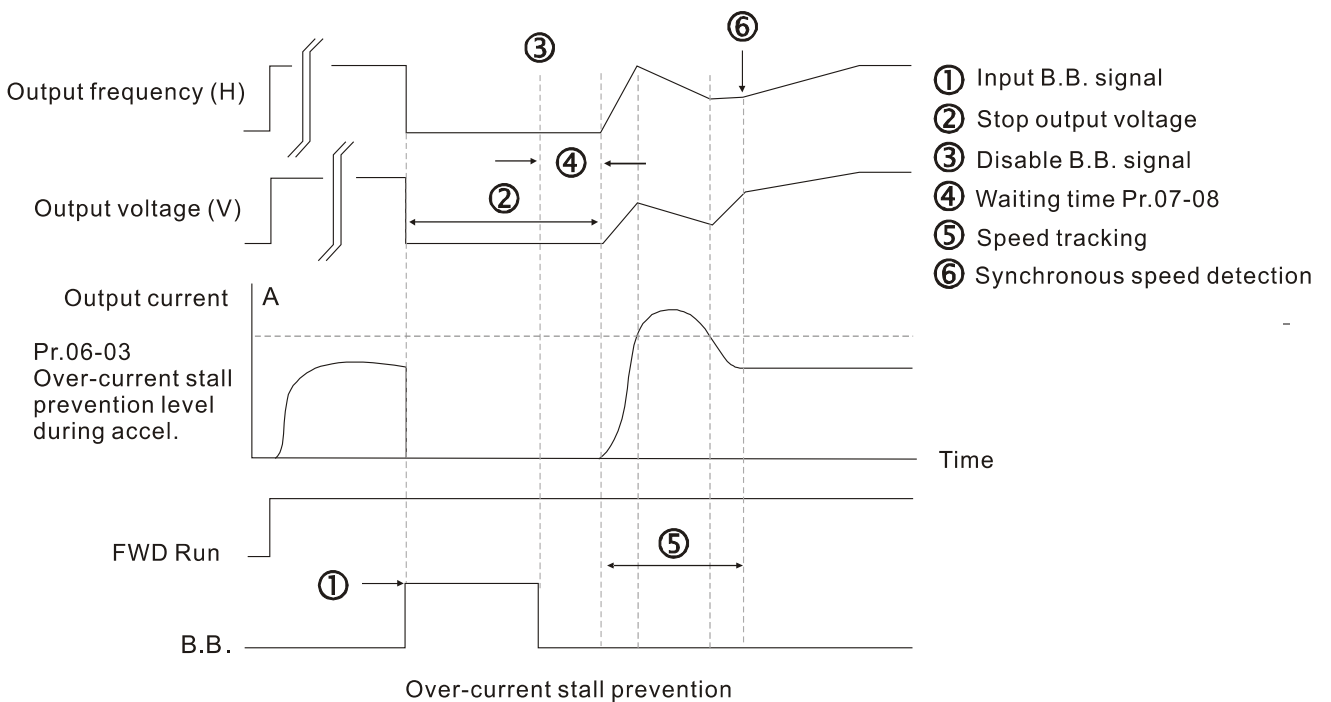
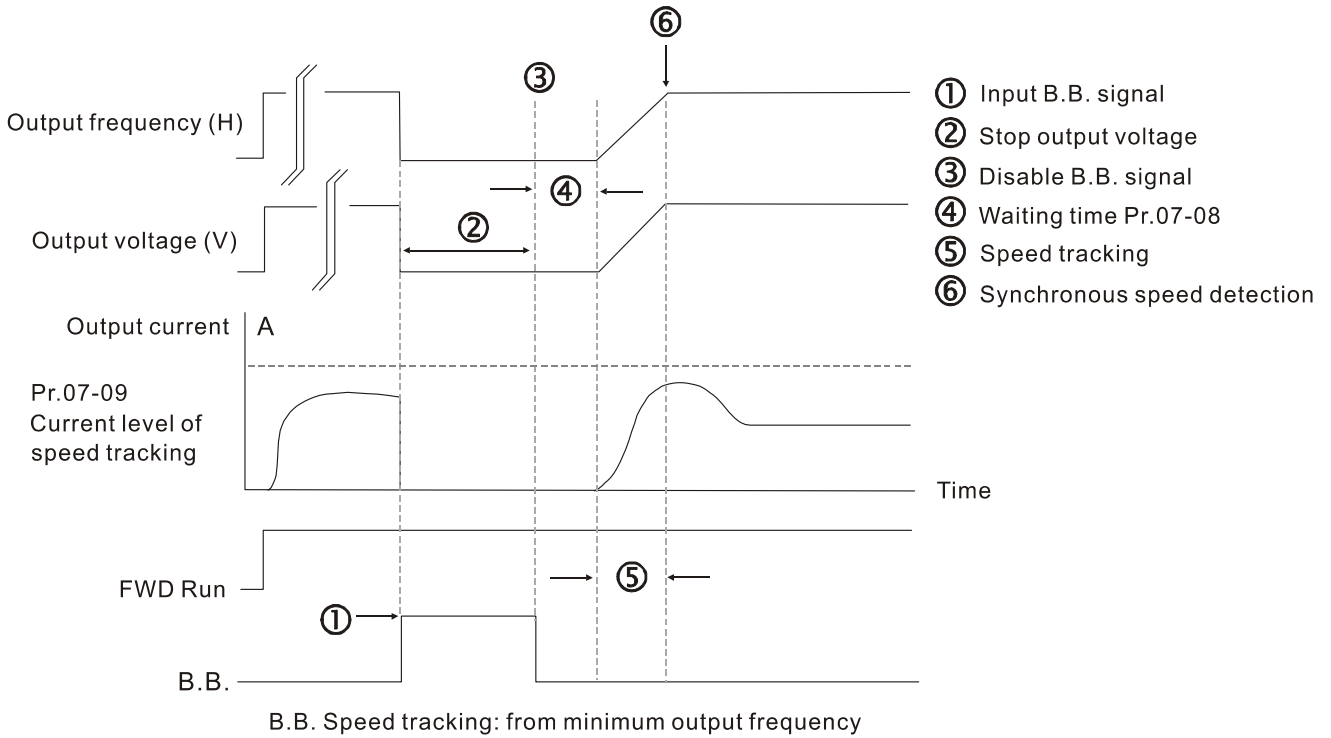
07-08 Base Block Time

Default: 0.5

Settings 0.0–60.0 sec.

When momentary power loss is detected, the AC motor drive blocks its output and then waits for a specified period of time (determined by Pr.07-08, called Base Block Time) before resuming operation. Set this parameter to the time that allows the residual voltage at the output side to decrease to 0 V before activating the drive again.





07-09 Current Limit of Speed Tracking

Default: 100


Settings 20–200%

- 📖 The AC motor drive executes speed tracking only when the output current is greater than the value set in Pr.07-09.
- 📖 The maximum current for speed tracking affects the synchronous time. The larger the parameter setting, the faster the synchronization occurs. However, if the parameter setting is too large, the overload protection function may be activated.

07-10 Restart after Fault Action

Default: 0

- Settings
- 0: Stop operation
 - 1: Speed tracking by current speed
 - 2: Speed tracking by minimum output frequency


 In PG control mode, the AC motor drive executes the speed tracking function automatically according to the PG speed when this setting is NOT set to 0.


 Faults include: bb, oc, ov, occ. To restart after oc, ov, occ, you can NOT set Pr.07-11 to 0.

07-11 Number of Times of Restart after Fault

Default: 0

- Settings 0–10


 After fault (allowed fault: oc, ov, occ) occurs, the AC motor drive can reset and restart automatically up to 10 times. If Pr.07-11 is set to 0, the drive resets or restarts automatically after faults occur. The drive starts according to the Pr.07-10 setting after restarting after fault.


 If the number of faults exceeds the Pr.07-11 setting, the drive does not reset and restart until you press “RESET” manually and execute the operation command again.

07-12 Speed Tracking during Start-up

Default: 0

- Settings
- 0: Disable
 - 1: Speed tracking by the maximum output frequency
 - 2: Speed tracking by the motor frequency at start-up
 - 3: Speed tracking by the minimum output frequency

 Speed tracking is suitable for punch, fans and other large inertia loads. For example, a mechanical punch usually has a large inertia flywheel, and the general stop method is coast to stop. If it needs to be restarted again, the flywheel may take 2–5 minutes or longer to stop. This parameter setting allows you to start the flywheel operating again without waiting until the flywheel stops completely.

 In PG control mode, the AC motor drive executes the speed tracking function automatically according to the PG speed when this setting is NOT set to 0.

07-13 dEb Function Selection

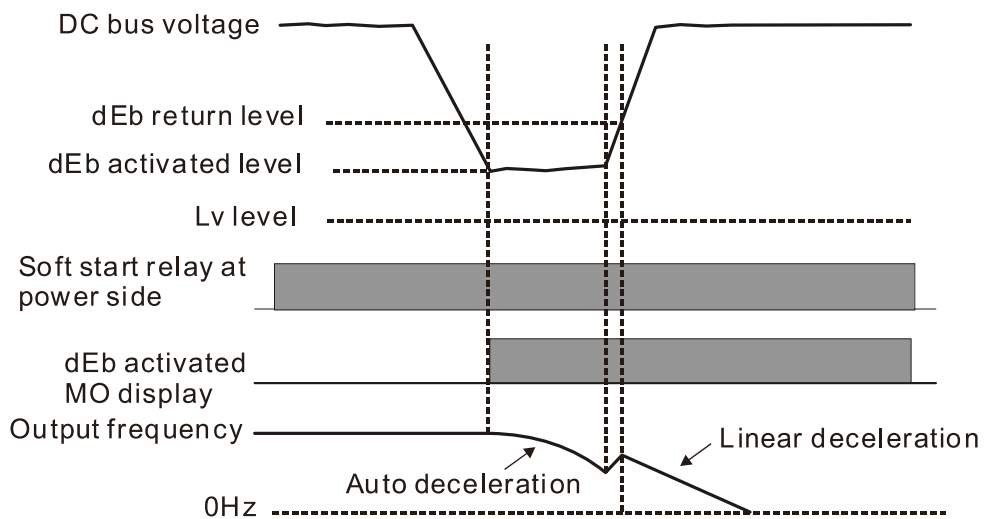
Default: 0

- Settings
- 0: Disable
 - 1: dEb with auto-acceleration / auto-deceleration, the drive does not output the frequency after the power is restored.
 - 2: dEb with auto-acceleration / auto-deceleration, the drive outputs the frequency after the power is restored.
 - 3: dEb low-voltage control, then the drive’s voltage increases to $350 V_{DC} / 700 V_{DC}$ and ramps to stop after low frequency
 - 4: dEb high-voltage control of $350 V_{DC} / 700 V_{DC}$, and the drive ramps to stop

- 📖 dEb (Deceleration Energy Backup) lets the motor decelerate to stop when momentary power loss occurs. When the power loss is instantaneous, use this function to let the motor decelerate to zero speed. If the power recovers at this time, the drive restarts the motor after the dEb return time.
- 📖 Lv return level: Default value depends on the drive power model.
 Models for frame A, B, C, D = Pr.06-00 + 75 V (575V series) / 60 V (460V series) / 30 V (230V series)
 Models for frame E and above = Pr.06-00 + 80 V / 40 V (230V series)
- 📖 Lv level: Default is Pr.06-00.
- 📖 During dEb operation, other protection, such as ryF, ov, oc, occ, and EF may interrupt it, and these error codes are recorded.
- 📖 The STOP (RESET) command does not work during the dEb auto-deceleration, and the drive continues decelerating to stop. To make the drive coast to stop immediately, use another function (EF) instead.
- 📖 The B.B. function does not work when executing dEb. The B.B. function is enabled after the dEb function finishes.
- 📖 Even though the Lv warning does not display during dEb operation, if the DC bus voltage is lower than the Lv level, MO = 10 (Low voltage warning) still operates.
- 📖 The following explains the dEb action:
 When the DC bus voltage drops below the dEb setting level, the dEb function starts to work (soft start relay remains closed), and the drive executes auto-deceleration.

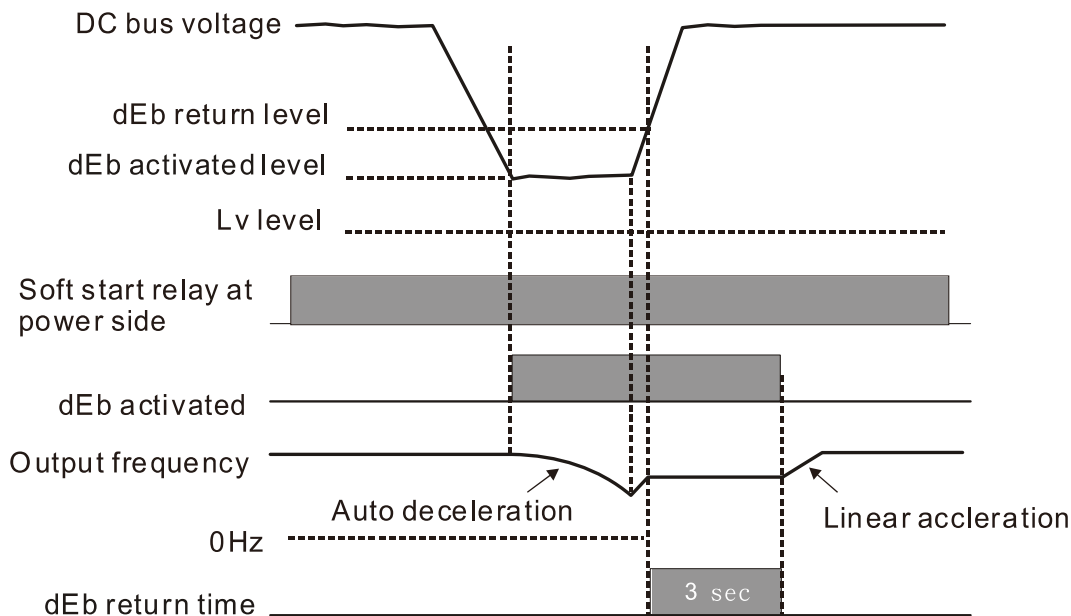
- **Situation 1:** Momentary power loss, or too low and unstable power voltage, or power supply sliding down because of sudden heavy load
 Pr.07-13 = 1 and power recovers

When the power recovers and DC bus voltage exceeds the dEb return level, the drive linearly decelerates to 0 Hz and stops. The keypad displays the “dEb” warning until you manually reset it, so you can see the reason for the stop.



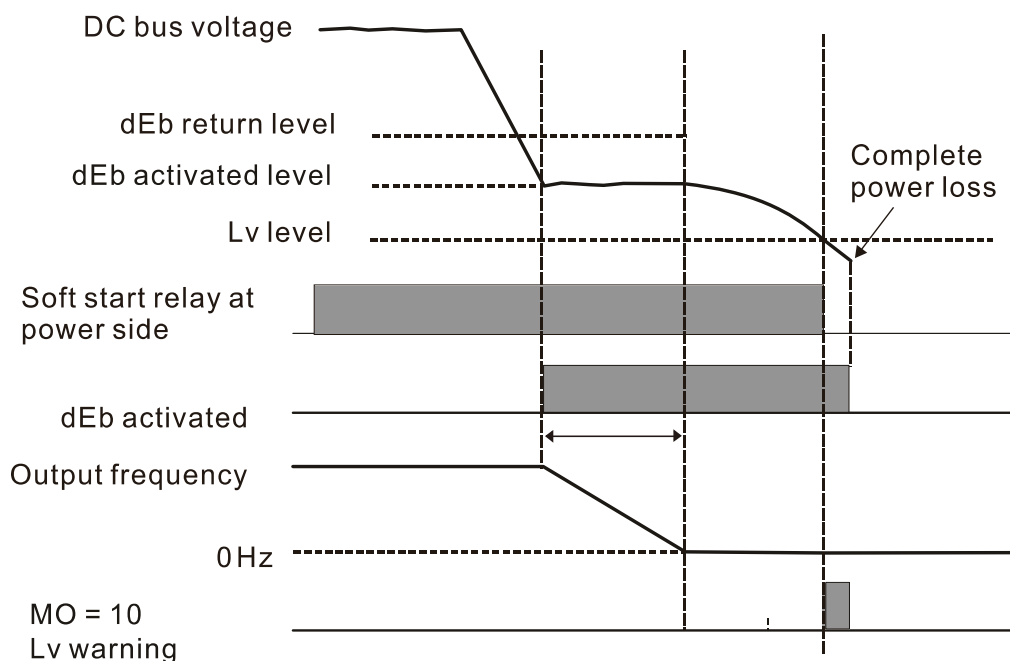
- **Situation 2:** Momentary power loss, or too low and unstable power voltage, or power supply sliding down because of sudden heavy load
Pr.07-13 = 2 and power recovers

During the dEb deceleration (includes 0 Hz run), if the power recovers to a voltage higher than dEb return level, the drive maintains the frequency for three seconds and then accelerates again. The “dEb” warning on the keypad is automatically cleared.



- **Situation 3:** Unexpected power shut down or power loss
Pr.07-13 = 1 and power does not recover

The keypad displays the “dEb” warning and the drive stops after decelerating to the lowest operating frequency. When the DC bus voltage is lower than the Lv level, the drive disconnects the soft start relay until the power completely runs out.



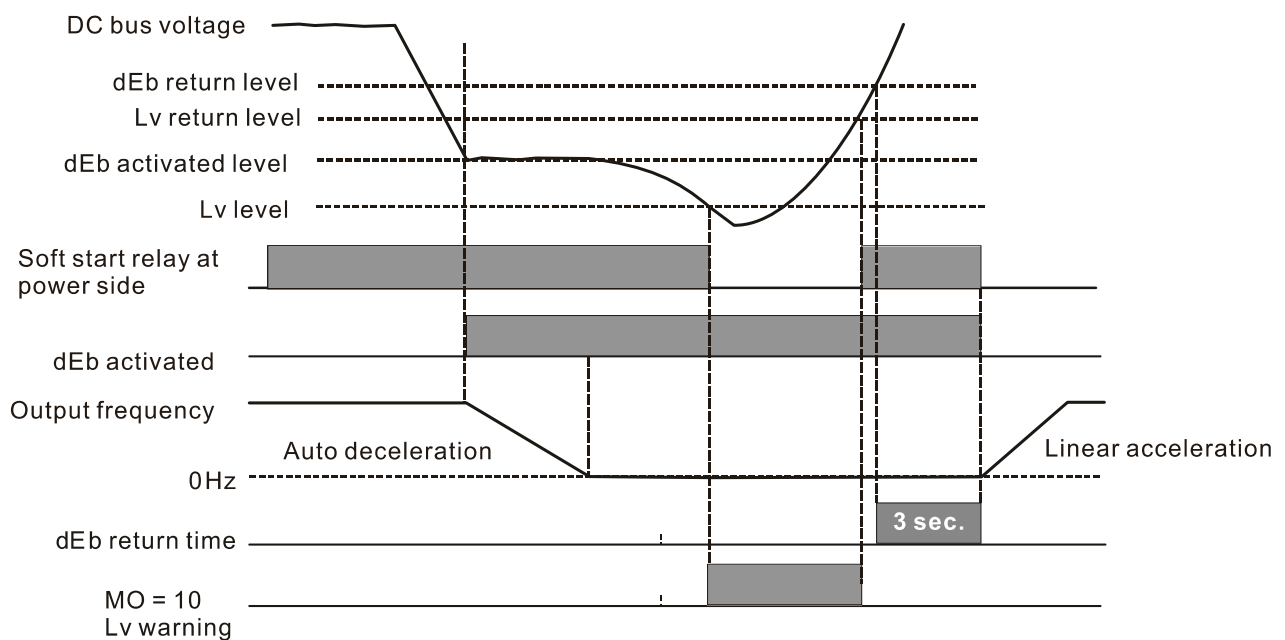
● **Situation 4:** Unexpected power shut down or power loss

Pr.07-13 = 2 and power does not recover

The drive decelerates to 0 Hz. The DC bus voltage continues to decrease until the voltage is lower than the Lv level, and then the drive disconnects the soft start relay. The keypad displays “dEb” warning until the drive completely runs out of power.

● **Situation 5:** Pr.07-13 = 2 and power recovers after the DC bus voltage is lower than the Lv level.

The drive decelerates to 0 Hz. The DC bus voltage continues to decrease until the voltage is lower than the Lv level, and then the drive disconnects the soft start relay. The soft start relay closes again after the power recovers and the DC bus voltage is higher than the Lv return level. When the DC bus voltage is higher than the dEb return level, the drive maintains the frequency for three seconds and starts to accelerate linearly. The “dEb” warning on the keypad is automatically cleared.



↗ **07-15** Dwell Time at Acceleration Default: 0.00

Settings 0.00–600.00 sec.

↗ **07-17** Dwell Time at Deceleration Default: 0.00

Settings 0.00–600.00 sec.

↗ **07-16** Dwell Frequency at Acceleration Default: 0.00

Settings 0.00–599.00 Hz

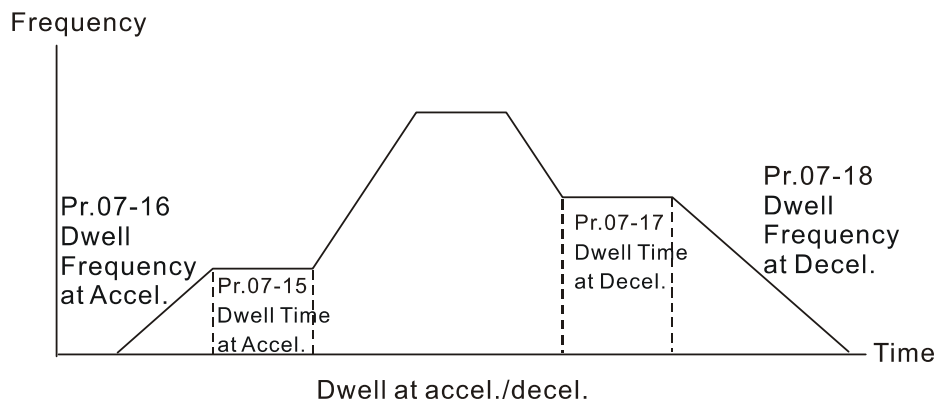
07-18 Dwell Frequency at Deceleration

Default: 0.00

Settings 0.00–599.00 Hz

In heavy load situations, the Dwell temporarily maintains stable output frequency. Use this parameter for cranes, elevators, and so on.

For heavy load applications, use Pr.07-15–Pr.07-18 to avoid OV or OC protection.



07-19 Fan Cooling Control

Default: 3

Settings 0: Fan is always ON

1: Fan is OFF after the AC motor drive stops for one minute.

2: Fan is ON when the AC motor drive runs; fan is OFF when the AC motor drive stops

3: Fan turns ON when the temperature (IGBT) reaches around 60°C.

Use this parameter to control the fan.

0: Fan runs immediately when the drive power is turned ON.

1: Fan runs when the AC motor drive runs. One minute after the AC motor drive stops, the fan is OFF.

2: Fan runs when the AC motor drive runs and stops immediately when the AC motor drive stops.

3: When temperature of the IGBT or capacitance is higher than 60°C, the fan runs.

When both the temperature of the IGBT and capacitance are lower than 40°C, the fan stops.

07-20 Emergency Stop (EF) & Force to Stop Selection

Default: 0

Settings 0: Coast to stop

1: Stop by the first deceleration time

2: Stop by the second deceleration time

3: Stop by the third deceleration time

4: Stop by the fourth deceleration time

5: System deceleration



6: Automatic deceleration

When the multi-function input terminal setting is set to 10 (EF input) or 18 (force to stop) and the terminal contact is ON, the drive stops according to the setting of this parameter.

07-21 Automatic Energy-saving Setting

Default: 0



Settings 0: Disable
1: Enable

-  When energy-saving is enabled, the motor acceleration/deceleration operates with full voltage. During constant speed operation, it automatically calculates the best voltage value according to the load power. This function is not suitable for fluctuating loads or loads which are nearly full during operation.
-  When the output frequency is constant (that is, constant operation), the output voltage decreases automatically as the load decreases. Therefore, the drive operates with minimum multiplication of voltage and current (electric power) to reach the energy-saving.

07-22 Energy-saving Gain

Default: 100




Settings 10–1000%

-  When Pr.07-21 is set to 1, use this parameter to adjust the energy-saving gain. The default is 100%. If the result is not satisfactory, adjust it by decreasing the setting value. If the motor oscillates, then increase the setting value.
-  In certain applications such as high speed spindles, the temperature rise in the motor is a major concern. When the motor is not in working state, reduce the motor current to a lower level. Reduce this parameter setting to meet this requirement.

07-23 Automatic Voltage Regulation (AVR) Function

Default: 0

Settings 0: Enable AVR
1: Disable AVR
2: Disable AVR during deceleration

-  The rated voltage of a 220V motor is usually 200 V_{AC}, 60 Hz / 50 Hz, and the input voltage of the AC motor drive may vary from 180–264 V_{AC}, 50 Hz / 60 Hz. Therefore, when the AC motor drive is used without the AVR function, the output voltage is the same as the input voltage. When the motor runs at the voltage exceeding 12–20% of the rated voltage, it causes higher temperatures, damaged insulation, and unstable torque output, which result in losses due to shorter motor lifetime.
-  The AVR function automatically regulates the output voltage of the AC motor drive to the motor's rated voltage when the input voltage exceeds the motor's rated voltage. For example, if the V/F curve is set at 200 V_{AC}, 50 Hz and the input voltage is at 200–264 V_{AC}, then the drive automatically reduces the output voltage to the motor to a maximum of 200 V_{AC}, 50 Hz. If the input voltage is at 180–200 V_{AC}, the output voltage to motor is in direct proportion to the input voltage.
-  0: When the AVR function is enabled, the drive calculates the output voltage according to the actual DC bus voltage. The output voltage does NOT change when the DC bus voltage changes.

- 📖 1: When the AVR function is disabled, the drive calculates the output voltage according to the actual DC bus voltage. The output voltage changes with the DC bus voltage, and may cause insufficient current, over-current or oscillation.
- 📖 2: The drive disables the AVR function only during deceleration to stop, and at this time, you can accelerate the braking to achieve the same result.
- 📖 When the motor ramps to stop, disable the AVR function to shorten the deceleration time. Then, use with the auto-acceleration and auto-deceleration functions to make the motor's deceleration more stable and quicker.

↖ **07-24** Torque Command Filter Time (V/F and SVC Control Mode)

Default: 0.050

Settings 0.001–10.000 sec.

- 📖 When the time constant setting is too large, the control is stable but the control response is slow. When the time constant setting is too small, the control response is faster but the control may be unstable. For optimal setting, adjust the setting based on the control stability or the control response.

↖ **07-25** Slip Compensation Filter Time (V/F and SVC Control Mode)

Default: 0.100

Settings 0.001–10.000 sec.

- 📖 Change the compensation response time with Pr.07-24 and Pr.07-25.
- 📖 If you set Pr.07-24 and Pr.07-25 to 10 seconds, the compensation response time is the slowest; however, the system may be unstable if you set the time too short.

↖ **07-26** Torque Compensation Gain (V/F and SVC Control Mode)

↖ **07-71** Torque Compensation Gain (Motor 2)

↖ **07-73** Torque Compensation Gain (Motor 3)

↖ **07-75** Torque Compensation Gain (Motor 4)

Default: 1

Settings IM: 0–10 (when Pr.05-33=0)

PM: 0–5000 (when Pr.05-33=1 or 2)

- 📖 With a large motor load, a part of the drive output voltage is absorbed by the stator winding resistor; therefore, the air gap magnetic field is insufficient. This causes insufficient voltage at motor induction and results in excessive output current but insufficient output torque. Auto-torque compensation can automatically adjust the output voltage according to the load and keep the air gap magnetic fields stable to get the optimal operation.
- 📖 In the V/F control, the voltage decreases in direct proportion with decreasing frequency. The torque decreases at low speed because of a decreasing AC resistor and an unchanged DC resistor. The auto-torque compensation function increases the output voltage at low frequency to get a higher starting torque.
- 📖 When the compensation gain is set too high, it may cause motor over-flux and result in a too large output current of the drive, motor overheating or trigger the drive's protection function.

↗	07-27	Slip Compensation Gain (V/F and SVC Control Mode)
↗	07-72	Slip Compensation Gain (Motor 2)
↗	07-74	Slip Compensation Gain (Motor 3)
↗	07-76	Slip Compensation Gain (Motor 4)

Default: 0.00

Settings 0.00–10.00

(Default value is 1 in SVC mode)

- 📖 The induction motor needs constant slip to produce electromagnetic torque. It can be ignored at higher motor speeds, such as rated speed or 2–3% of slip.
- 📖 However, during the drive operation, the slip and the synchronous frequency are in reverse proportion to produce the same electromagnetic torque. The slip is larger with the reduction of the synchronous frequency. Moreover, the motor may stop when the synchronous frequency decreases to a specific value. Therefore, the slip seriously affects the motor speed accuracy at low speed.
- 📖 In another situation, when you use an induction motor with the drive, the slip increases when the load increases. It also affects the motor speed accuracy.
- 📖 Use this parameter to set the compensation frequency, and reduce the slip to maintain the synchronous speed when the motor runs at the rated current in order to improve the accuracy of the drive. When the drive output current is higher than Pr.05-05 (No-load Current for Induction Motor 1 (A)), the drive compensates the frequency according to this parameter.
- 📖 This parameter is set to 1.00 automatically when Pr.00-11 (Speed Control Mode) is changed from V/F mode to vector mode. Otherwise, it is automatically set to 0.00. Apply the slip compensation after load and acceleration. Increase the compensation value from small to large gradually; add the output frequency to the [motor rated slip x Pr.07-27 (Slip Compensation Gain)] when the motor is at the rated load. If the actual speed ratio is slower than expected, increase the parameter setting value; otherwise, decrease the setting value.

↗	07-29	Slip Deviation Level
---	--------------	----------------------

Default: 0

Settings 0.0–100.0%

0: No detection

↗	07-30	Over-slip Deviation Detection Time
---	--------------	------------------------------------

Default: 1.0

Settings 0.0–10.0 sec.

↗	07-31	Over-slip Deviation Treatment
---	--------------	-------------------------------

Default: 0

Settings 0: Warn and continue operation

1: Fault and ramp to stop

2: Fault and coast to stop

3: No warning

- 📖 Pr.07-29–Pr.07-31 set the allowable slip level/time and the over-slip treatment when the drive is running.

07-32 Motor Oscillation Compensation Factor

Default: 1000

Settings 0–10000

- If there are current wave motions which cause severe motor oscillation in some specific area, setting this parameter can effectively improve this situation. (When running with high frequency or PG, set this parameter to 0. When the current wave motion occurs in low frequency and high power, increase the value for Pr.07-32.)

07-33 Auto-restart Interval of Fault

Default: 60.0

Settings 0.0–6000.0 sec.

- When a reset/restart occurs after a fault, the drive uses Pr.07-33 as a timer and starts counting the number of faults within this time period. Within this period, if the number of faults does not exceed the setting for Pr.07-11, the counting clears and starts from 0 when the next fault occurs.

07-38 PMSVC Voltage Feed Forward Gain

Default: 1.00

Settings 0.50–2.00

07-46 OOB Sampling Time

Default: 1.0

Settings 0.1–120.0 sec.

07-47 Number of OOB Sampling Times

Default: 20

Settings 00–32

07-48 OOB Average Sampling Angle

Default: Read only

Settings Read only

- You can use the OOB (Out Of Balance Detection) function with the PLC program in the washing machine system. When the multi-function input terminal Pr.02-01–02-07 is set to 82 (OOB loading balance detection), the Pr.07-48 (OOB Average Sampling Angle) $\Delta\theta$ value is set according to Pr.07-46 (OOB Sampling Time) and Pr.07-47 (Number of OOB Sampling Times).
- The PLC or host controller determines the motor speed according to the Pr.07-48 (OOB Average Sampling Angle) $\Delta\theta$ value. When the Average Sampling Angle $\Delta\theta$ value is large, the load is unbalanced. In this case, the PLC or host controller must decrease the Frequency command. Otherwise, increase the Frequency command to execute high speed operations when Pr.07-48 $\Delta\theta$ value is small.
- Related parameters: Pr.02-01–Pr.02-07 (Multi-function Input Commands).

↗ **07-62** dEb Gain (Kp)



Default: 8000

Settings 0–65535

↗ **07-63** dEb Gain (Ki)

Default: 150

Settings 0–65535

-  Sets the PI gain of DC bus voltage controller when the dEb function activates.
-  If the DC bus voltage drops too fast, or the speed oscillation occurs during deceleration after the dEb function activates, adjust Pr.07-62 and Pr.07-63. Increase the Kp setting to quicken the control response, but the oscillation may occur if the setting is too large. Use Ki parameter to decrease the steady-state error to zero, and increase the setting to quicken the response speed.

08 High-function PID Parameters

✎ You can set this parameter during operation.

✎ 08-00 Terminal Selection of PID Feedback

Default: 0

Settings 0: No function

1: Negative PID feedback: by analog input (Pr.03-00, 03-01)

2: Negative PID feedback: by single-phase input (MI7), without direction (Pr.10-16=5)

4: Positive PID feedback: by analog input (Pr.03-00, 03-01)

5: Positive PID feedback: by single-phase input (MI7), without direction (Pr.10-16=5)

7: Negative PID feedback: by communication protocols

8: Positive PID feedback: by communication protocols

📖 Negative feedback:

Error = + Target value (set point) – Feedback. Use negative feedback when the detection value increases if the output frequency increases.

📖 Positive feedback:

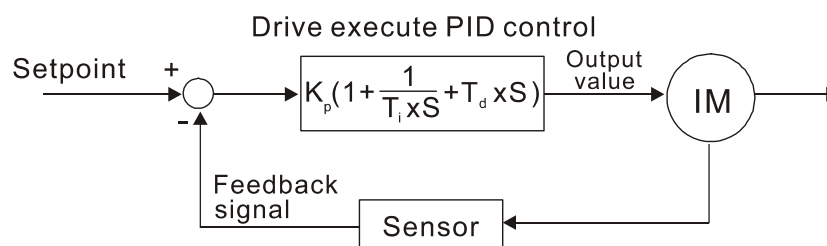
Error = - Target value (set point)+ Feedback. Use positive feedback when the detection value decreases if the output frequency increases.

📖 When Pr.08-00 ≠ 7 or ≠ 8, the input value is disabled. The setting value does not remain when the drive is powered off.

1. Common applications for PID control:

- Flow control: Use a flow sensor to feedback the flow data and perform accurate flow control.
- Pressure control: Use a pressure sensor to feedback the pressure data and perform precise pressure control.
- Air volume control: Use an air volume sensor to feedback the air volume data to achieve excellent air volume regulation.
- Temperature control: Use a thermocouple or thermistor to feedback temperature data for comfortable temperature control.
- Speed control: Use a speed sensor—to feedback motor shaft speed or input another machine speed as a target value for synchronous control.

2. PID control loop:



K_P Proportional Gain (P), T_I Integral Time (I), T_d Differential Time (D), S Calculation

3. Concept of PID control:

Proportional gain (P):

The output is proportional to input. With only a proportional gain control, there is always a steady-state error.

Integral time (I):

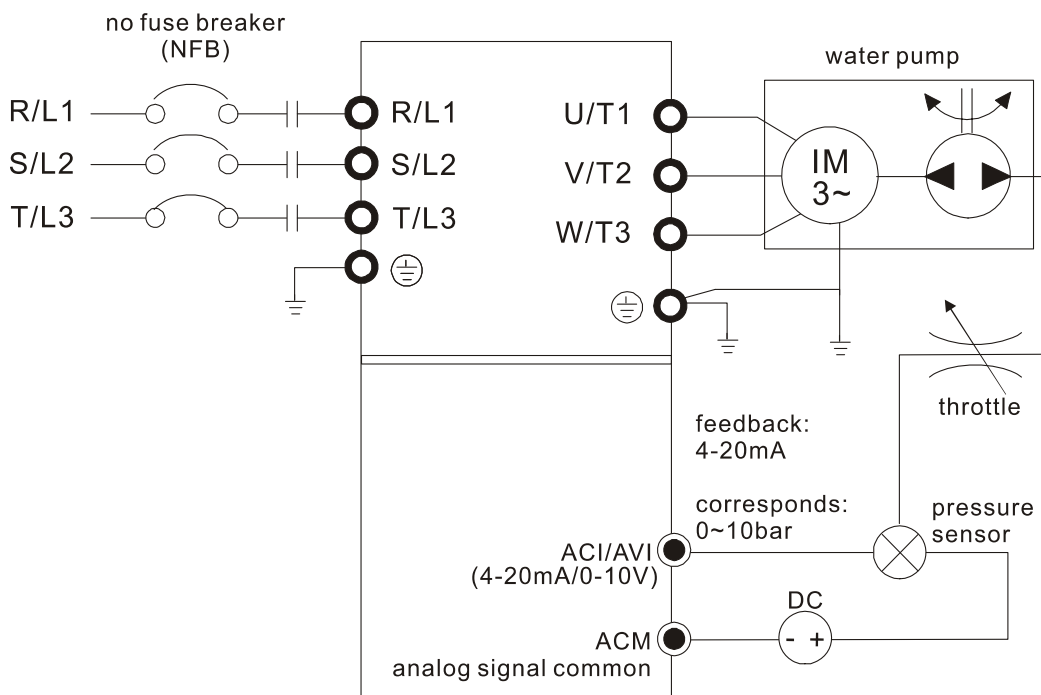
The controller output is proportional to the integral of the controller input. When an automatic control system is in a steady state and a steady-state error occurs, the system is called a System with Steady-state Error. To eliminate the steady-state error, add an “integral part” to the controller. The integral time controls the relation between the integral part and the error. The integral part increases over time even if the error is small. It gradually increases the controller output to eliminate the error until it is zero. This stabilizes the system without a steady-state error by using proportional gain control and integral time control.

Differential control (D):

The controller output is proportional to the differential of the controller input. During elimination of the error, oscillation or instability may occur. Use the differential control to suppress these effects by acting before the error. That is, when the error is near 0, the differential control should be 0. Use proportional gain (P) and differential control (D) to improve the system state during PID adjustment.

4. Using PID control in a constant pressure pump feedback application:

Set the application’s constant pressure value (bar) to be the set point of PID control. The pressure sensor sends the actual value as the PID feedback value. After comparing the PID set point and PID feedback, an error displays. The PID controller calculates the output by using proportional gain (P), integral time (I) and differential time (D) to control the pump. It controls the drive to use a different pump speed and achieves constant pressure control by using a 4–20 mA signal corresponding to 0–10 bar as feedback to the drive.



- Pr.00-04 = 10 (display PID feedback (b) (%))
- Pr.01-12 Acceleration Time is set according to actual conditions.
- Pr.01-13 Deceleration Time is set according to actual conditions.
- Pr.00-21 = 0, operate through the digital keypad
- Pr.00-20 = 0, the digital keypad controls the set point.
- Pr.08-00 = 1 (negative PID feedback from analog input)
- ACI analog input Pr.03-01 = 5, PID feedback signal.
- Pr.08-01-08-03 is set according to actual conditions.

If there is no oscillation in the system, increase Pr.08-01 (Proportional Gain (P))

If there is no oscillation in the system, decrease Pr.08-02 (Integral Time (I))

If there is no oscillation in the system, increase Pr.08-03 (Differential Time (D))


- Refer to Pr.08-00–08-21 for PID parameter settings.


✎ 08-01 Proportional Gain (P)


Default: 1.00

Settings 0.0–1000.0 (When Pr.08-23 bit 1 = 0)

0.00–100.00 (When Pr.08-23 bit 1 = 1)

 1.0: Kp gain is 100%; if the setting is 0.5, Kp gain is 50%.


 Sets the proportional gain to determine the deviation response speed. The higher the proportional gain, the faster the response speed. Eliminates the system deviation; usually used to decrease the deviation and get faster response speed. If you set the value too high, overshoot occurs and it may cause system oscillation and instability.


 If you set the other two gains (I and D) to zero, proportional control is the only effective parameter.


✎ 08-02 Integral Time (I)


Default: 1.00

Settings 0.00–100.00 sec.

 Use the integral controller to eliminate the deviation during stable system operation. The integral control does not stop working until the deviation is zero. The integral is affected by the integral time. The smaller the integral time, the stronger the integral action. It is helpful to reduce overshoot and oscillation for a stable system. Accordingly, the speed to lower the steady-state deviation decreases. The integral control is often used with the other two controls for the PI controller or PID controller.

 Sets the integral time of the I controller. When the integral time is long, there is a small I controller gain, with slower response and slow external control. When the integral time is short, there is a large I controller gain, with faster response and rapid external control.




 When the integral time is too short, it may cause overshoot or oscillation for the output frequency and system.

 Set Integral Time to 0.00 to disable the I controller.

08-03 Differential Time (D)

Default: 0.00



Settings 0.00–1.00 sec.

-  Use the differential controller to show the system deviation change, as well as to preview the change in the deviation. You can use the differential controller to eliminate the deviation in order to improve the system state. Using a suitable differential time can reduce overshoot and shorten adjustment time; however, the differential operation increases noise interference. Note that a too large differential causes more noise interference. In addition, the differential shows the change and the differential output is 0 when there is no change. Note that you cannot use the differential control independently. You must use it with the other two controllers for the PD controller or PID controller.
-  Sets the D controller gain to determine the deviation change response. Using a suitable differential time reduces the P and I controllers overshoot to decrease the oscillation for a stable system. A differential time that is too long may cause system oscillation.
-  The differential controller acts on the change in the deviation and cannot reduce the interference. Do not use this function when there is significant interference.

08-04 Upper Limit of Integral Control

Default: 100.0


Settings 0.0–100.0%

-  Defines an upper bound for the integral gain (I) and therefore limits the master frequency. The formula is: Integral upper bound = Maximum Operation Frequency (Pr.01-00) x (Pr.08-04%).
-  An excessive integral value causes a slow response due to sudden load changes and may cause motor stall or machine damage. If so, decrease it to a proper value.

08-05 PID Output Command Limit (Positive Limit)

Default: 100.0


Settings 0.0–110.0%

-  Defines the percentage of the output frequency limit during the PID control. The formula is Output Frequency Limit = Maximum Operation Frequency (Pr.01-00) × Pr.08-05%.

08-06 PID Feedback Value by Communication Protocol

Default: 0.00

Settings -200.00–200.00%

-  Use communications to set the PID feedback value when the PID feedback input is set to communications (Pr.08-00 = 7 or 8).

08-07 PID Delay Time

Default: 0.0






Settings 0.0–2.5 sec.


08-20 PID Mode Selection


Default: 0

Settings 0: Serial connection

1: Parallel connection

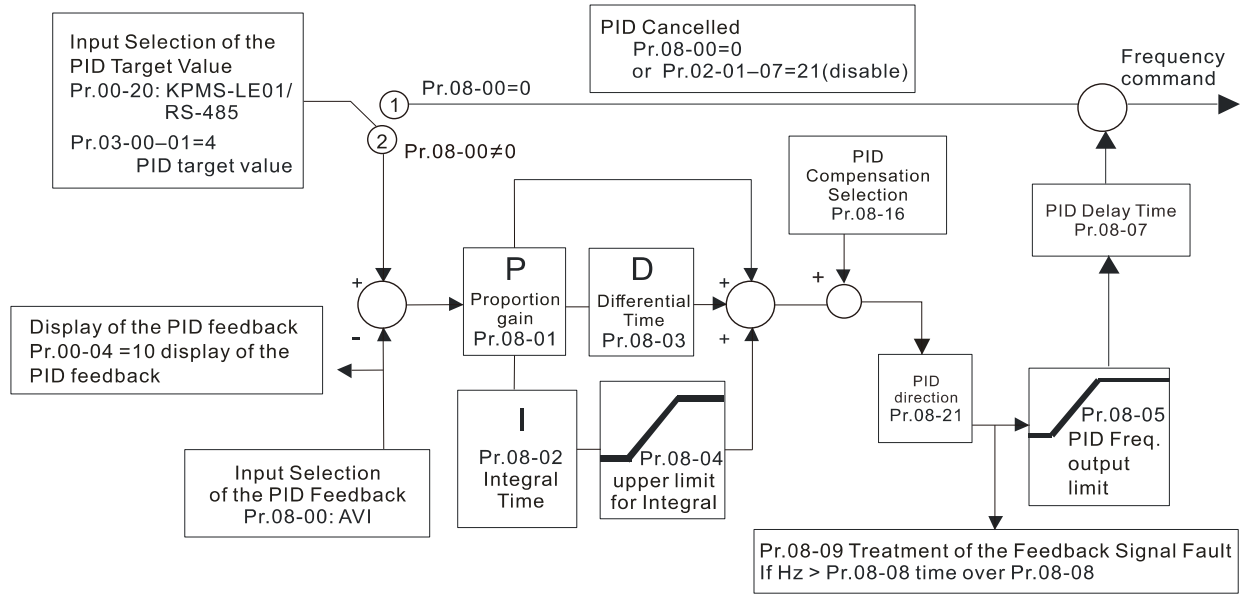
-
-  0: Use conventional PID control structure.
 - 1: The proportional gain, integral gain and differential gain are independent. You can customize the P, I and D value to fit your application.
 -  Pr.08-07 determines the primary low pass filter time when in PID control. Setting a large time constant may slow down the drive's response speed.
 -  PID control output frequency is filtered with a primary low pass function. This function can filter a mix of frequencies. A long primary low pass time means the filter degree is high and a short primary low pass time means the filter degree is low.
 -  Inappropriate delay time setting may cause system oscillation.
 -  PI Control:

Controlled only by the P action, so the deviation cannot be entirely eliminated. In general, to eliminate residual deviations, use the P + I controls. When you use the PI control, it eliminates the deviation caused by the targeted value changes and the constant external interferences. However, if the I action is too powerful, it delays the response when there is rapid variation. You can use the P action by itself to control the loading system with the integral components.
 -  PD Control:

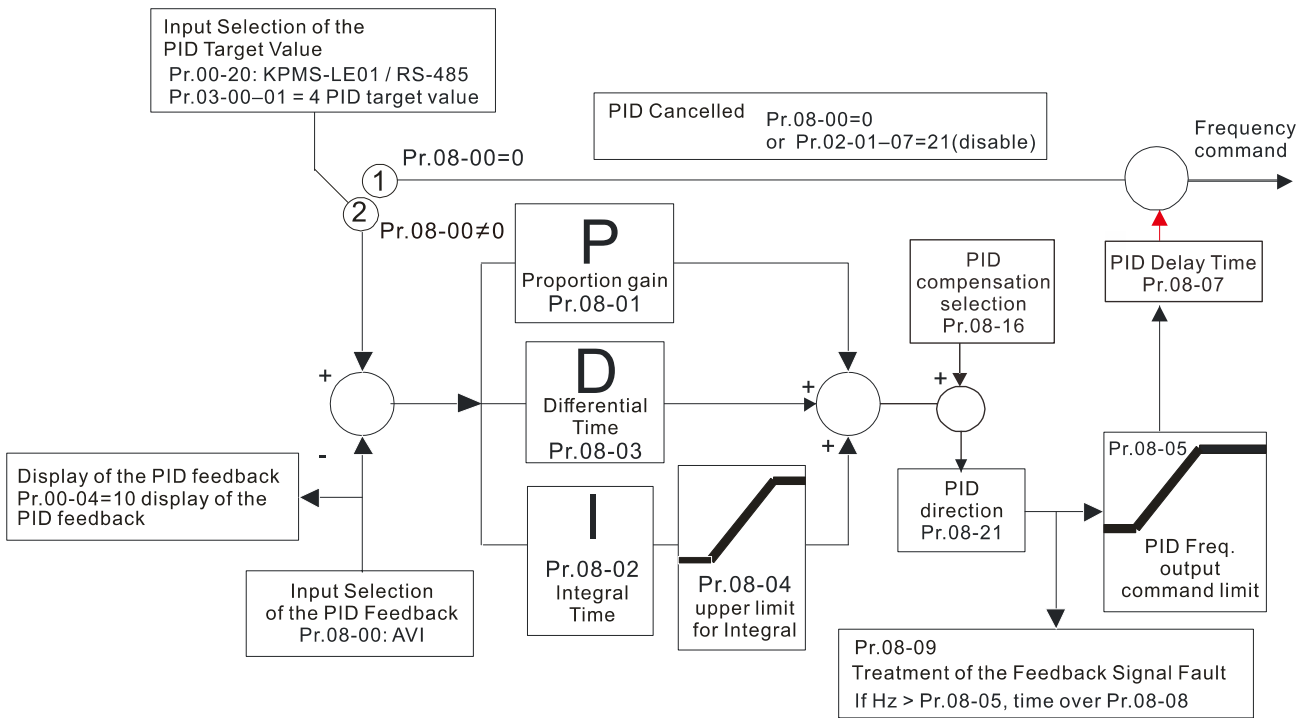
When deviation occurs, the system immediately generates an operation load that is greater than the load generated only by the D action to restrain the deviation increment. If the deviation is small, the effectiveness of the P action decreases as well. The control objects include applications with integral component loads, which are controlled by the P action only. Sometimes, if the integral component is functioning, the whole system may oscillate. In this case, use the PD control to reduce the P action's oscillation and stabilize the system. In other words, this control is useful with no brake function's loading over the processes.
 -  PID Control:

Use the I action to eliminate the deviation and the D action to reduce oscillation; then combine this with the P action for the PID control. Use the PID method for a control process with no deviations, high accuracy, and a stable system.

Serial connection



Parallel connection



08-08 Feedback Signal Detection Time

Default: 0.0

Settings 0.0–3600.0 sec.

- 📖 Valid only when the feedback signal is ACI (4–20 mA).
- 📖 This parameter sets the detection time for abnormal PID signal feedback. You can also use it when the system feedback signal response is extremely slow. (Setting the detection time to 0.0 disables the detection function.)

↗ **08-09** Feedback Signal Fault Treatment

Default: 0

- Settings 0: Warn and continue operation
 1: Fault and ramp to stop
 2: Fault and coast to stop
 3: Warn and operate at last frequency

- 📖 Valid only when the feedback signal is ACI (4–20 mA).
- 📖 Sets the treatments when the PID feedback signal is abnormal.

↗ **08-10** Sleep Frequency

Default: 0.00

Settings 0.00–599.00 Hz

- 📖 Determines the sleep frequency, and if the sleep time and the wake-up frequency are enabled or disabled.

Pr.08-10 = 0: Disabled; Pr.08-10 ≠ 0: Enabled

↗ **08-11** Wake-up Frequency

Default: 0.00

Settings 0.00–599.00 Hz

- 📖 When Pr.08-18=0, the unit for Pr.08-10 and that for Pr.08-11 switch to frequency. The settings are between 0.00–599.00 Hz.
- 📖 When Pr.08-18=1, the unit for Pr.08-10 and that for Pr.08-11 switch to percentage. The settings are between 0.00–200.00%.
- 📖 The percentage is based on the current command value, not the maximum value. For example, if the maximum value is 100 kg, and the current command value is 30 kg, then if Pr.08-11=40%, the value is 12 kg.
- 📖 Pr.08-10 uses the same logic for calculation.

↗ **08-12** Sleep Time

Default: 0.0

Settings 0.0–6000.0 sec.

- 📖 When the Frequency command is smaller than the sleep frequency and less than the sleep time, the Frequency command is equal to the sleep frequency. However, the Frequency command remains at 0.00 Hz until the Frequency command becomes equal to or larger than the wake-up frequency.

↗ **08-13** PID Feedback Signal Error Deviation Level

Default: 10.0

Settings 1.0–50.0%

↗ **08-14** PID Feedback Signal Error Deviation Detection Time

Default: 5.0

Settings 0.1–300.0 sec.

08-15 PID Feedback Signal Filter Time

Default: 5.0

Settings 0.1–300.0 sec.

When the PID control function is normal, it should calculate the value within a period of time that is close to the target value.

Refer to the PID control diagram for details. When executing PID feedback control, if $|\text{PID reference target value} - \text{detection value}| > \text{Pr.08-13 PID Feedback Signal Error Deviation Level}$ and time exceeds Pr.08-14 setting, it is regarded as a PID control fault, and the multi-function output terminal setting 15 (PID feedback error) activates.

08-16 PID Compensation Selection

Default: 0

Settings 0: Parameter setting
1: Analog input

0: The setting for Pr.08-17 gives the PID compensation value.

08-17 PID Compensation

Default: 0

Settings -100.0–100.0%

The PID compensation value = maximum PID target value \times Pr.08-17. For example, if the maximum operation frequency Pr.01-00 = 60 Hz, and Pr.08-17 = 10.0%, the PID compensation value increases the output frequency 6.00 Hz (60.00 Hz \times 100.00% \times 10.0% = 6.00 Hz).

08-18 Sleep Mode Function Setting

Default: 0

Settings 0: Refer to PID output command
1: Refer to PID feedback signal

0: The unit for Pr.08-10 and that for Pr.08-11 switch to frequency. The settings are between 0.00–599.00 Hz.

1: The unit for Pr.08-10 and that for Pr.08-11 switch to percentage. The settings then are between 0.00–200.00%.

08-19 Wake-up Integral Limit

Default: 50.0

Settings 0.0–200.0%

Reduces the reaction time from sleep to wake-up.

Defines the wake-up integral frequency limit = (Pr.01-00 \times Pr.08-19%)

08-21 Enable PID to Change the Operation Direction

Default: 0

Settings 0: Operation direction cannot be changed
1: Operation direction can be changed

08-22 Wake-up Delay Time

Default: 0.00

Settings 0.00–600.00 sec.

Refer to Pr.08-18 for more information.

08-23 PID Control Flag

Default: 2

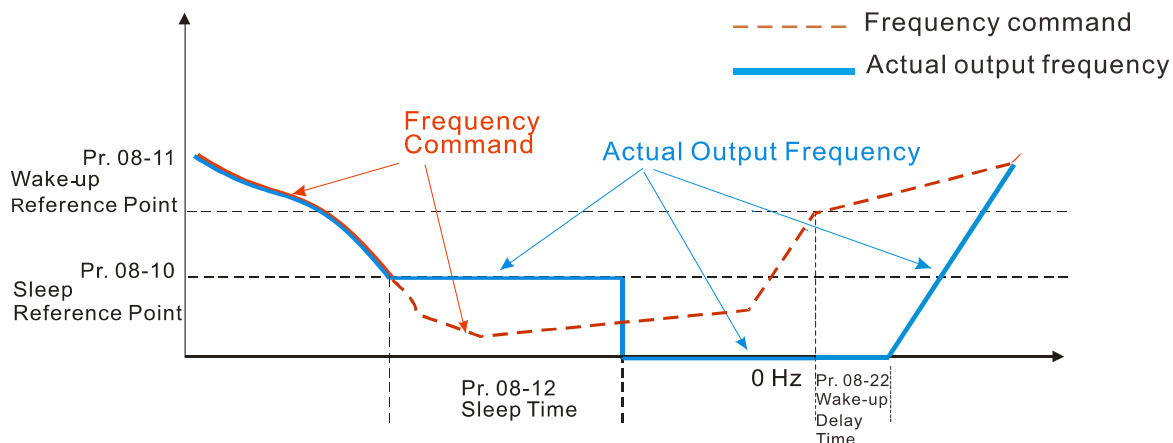
Settings

- bit 0 = 1, PID running in reverse follows the setting for Pr.00-23.
- bit 0 = 0, PID running in reverse refers to PID's calculated value.
- bit 1 = 1, two decimal places for PID Kp
- bit 1 = 0, one decimal place for PID Kp

- bit 0 = 1: PID running in reverse function is valid only when Pr.08-21=1.
- bit 0 = 0: If the PID calculated value is positive, the direction is forward. If the PID calculated value is negative, the direction is reverse.
- When the bit1 setting changes, the Kp gain does not change. For example: Kp = 6. When Pr.08-23 bit1 = 0, Kp = 6.0; when Pr.08-23 bit1 = 1, Kp = 6.00.
- There are three scenarios for the sleep and wake-up frequency.

1) Frequency Command (PID is not in use, Pr.08-00 = 0. Works only in VF mode)

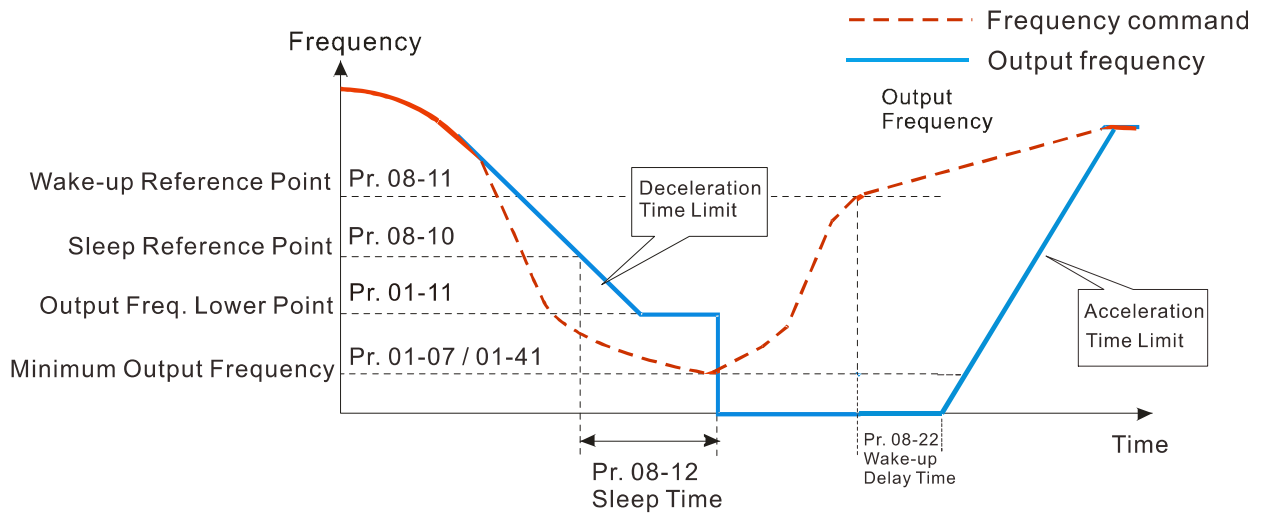
When the output frequency \leq the sleep frequency and the drive reaches the preset sleep time, then the drive is in sleep mode (0 Hz). When the Frequency command reaches the wake-up frequency, the drive starts to count the wake-up delay time. When the drive reaches the wake-up delay time, it starts to catch up to reach the Frequency command value by the acceleration time.



2) Internal PID Calculation Frequency Command (PID is in use, Pr.08-00 \neq 0 and Pr.08-18=0.)

When the PID calculation Frequency command reaches the sleep frequency, the drive starts to count the sleep time and the output frequency starts to decrease. If the drive exceeds the preset sleep time, then the drive is in sleep mode (0 Hz). If the drive does not reach the preset sleep time, it remains at the lower frequency limit (if there is a preset lower limit.), or it remains at the minimum output frequency set for Pr.01-07 and waits until it reaches the sleep time before going into sleep mode (0 Hz). When the PID calculated Frequency command reaches the wake-up frequency, the drive starts to count the wake-up delay time. Once it reaches the wake-up delay time, the drive starts to catch up to reach the PID Frequency command value by the acceleration time.

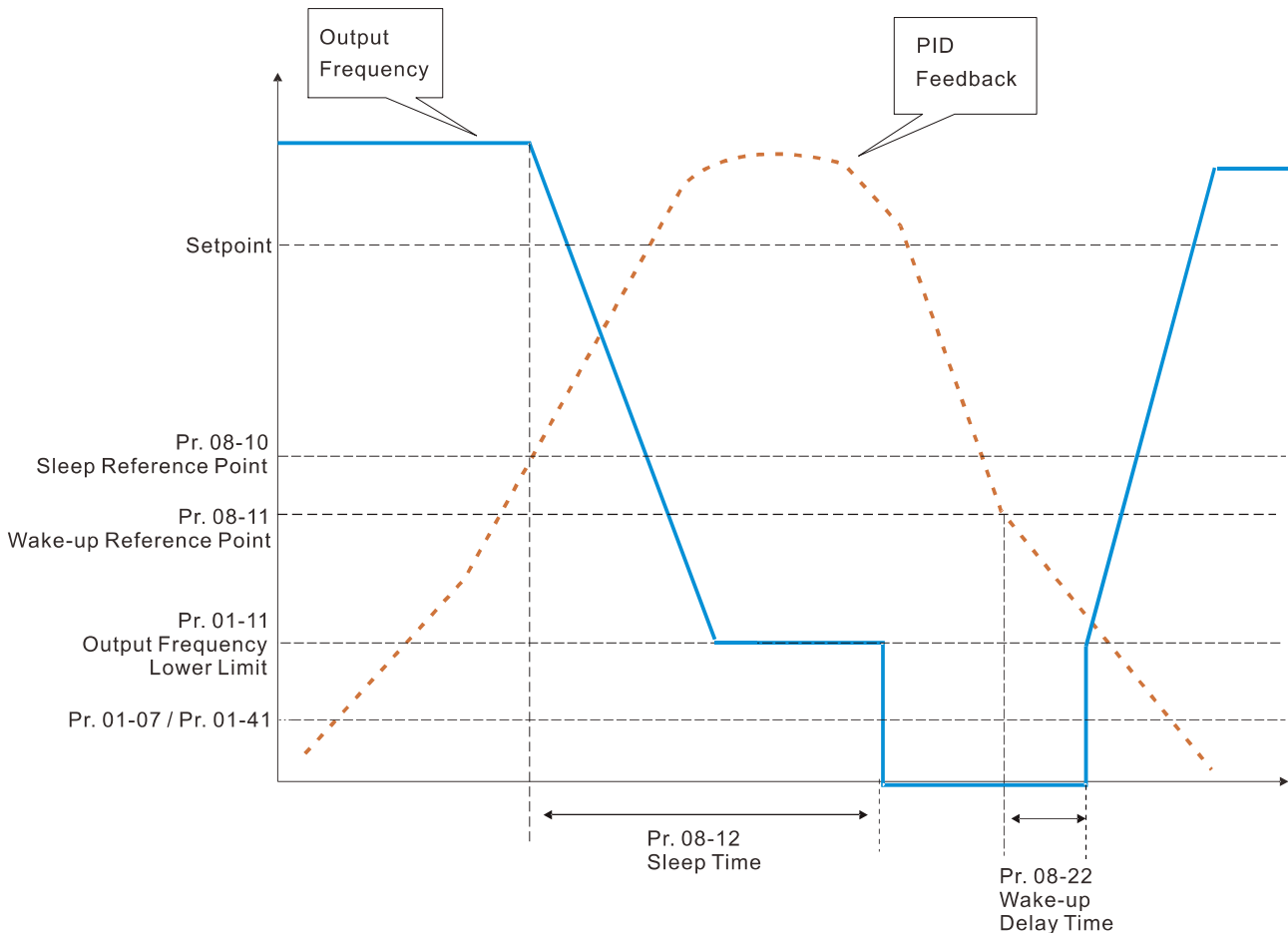
Internal PID Calculation Frequency Command



3) PID Feedback Value Percentage (PID is in use, Pr.08-00 ≠ 0 and Pr.08-18 = 1)

When the PID feedback value reaches the sleep level percentage, the drive starts to count the sleep time and the output frequency starts to decrease. If the drive exceeds the preset sleep time, then the drive is in sleep mode (0 Hz). If the drive does not reach preset the sleep time, it remains at the lower frequency limit (if there is a preset of lower limit.), or it remains at the minimum output frequency set for Pr.01-07 and waits until it reaches the sleep time before going into sleep mode (0 Hz).

When the PID feedback value reaches the wake-up percentage, the drive starts to count the wake-up delay time. Once it reaches the wake-up delay time, the drive starts to catch up to reach the PID Frequency command value by the acceleration time.



- ↗ **08-26** PID Output Command Limit (Reverse Limit) Default: 100.0
- Settings 0.0–100.0%
- 📖 When PID enables the reverse direction, the PID output is a negative value, and the PID output value is limited by the setting for Pr.08-26. Use this function with Pr.08-21.
-
- ↗ **08-27** Acceleration / Deceleration Time for PID Command Default: 0.00
- Settings 0.00–655.35 sec.
- 📖 0.00 seconds: Disables the PID acceleration/deceleration command, and the target value is equal to the PID command.
- 📖 When this parameter is not set to 0.00 seconds: Enables the PID acceleration/deceleration command. For PID acceleration and deceleration, when the PID target value changes, the command value increment/decrement is executed according to this parameter.
- For example, if we set this parameter to 10.00 seconds, when PID target value changes from 0% to 100%, it takes 10 seconds for the PID command to change from 0% to 100%. In a similar way, when PID target value changes from 100% to 0%, it takes 10 seconds for the PID command to change from 100% to 0%.
-
- 08-29** Frequency Base Corresponding to 100.00% PID Default: 0
- Settings 0: PID control output 100.00% corresponding to maximum operation frequency (Pr.01-00)
1: PID control output 100.00% corresponding to the input value of the auxiliary frequency
- 📖 Valid only when you enable the master and auxiliary frequency functions.
- When Pr.08-29 = 0, PID control outputs 100.00% corresponding to the maximum operation frequency. When Pr.08-29 = 1, PID control outputs 100.00% corresponding to the auxiliary frequency. (The PID output frequency changes when the auxiliary frequency command changes.)
-
- ↗ **08-31** Proportional gain 2 Default: 1.00
- Settings 0.0–1000.0 (when Pr.08-23 setting bit 1=0)
0.00–100.00 (when Pr.08-23 setting bit 1=1)
-
- ↗ **08-32** Integral time 2 Default: 1.00
- Settings 0.00–100.00 sec.
-
- ↗ **08-33** Differential time 2 Default: 0.00
- Settings 0.00–1.00 sec.

08-65 PID Target Value Source

Default: 0

- Settings
- 0: Frequency command (Pr.00-20, Pr.00-30)
 - 1: Pr.08-66 setting
 - 2: RS-485 communication input
 - 3: External analog input (refer to Pr.03-00, Pr.03-01)
 - 4: CANopen communication card
 - 6: Communication card (does not include CANopen card)
 - 7: Digital keypad potentiometer knob

- Selects the target value source for the PID controller.
- When Pr.08-65=0, the maximum operating frequency Pr.01-00 is 60 Hz, the error is 100%, and Pr.08-01=1.00, then the output frequency is "1" times the Pr.01-00 maximum operating frequency. Therefore, the output frequency = 60 * 100% * 1=60 Hz.

Calculation formula:

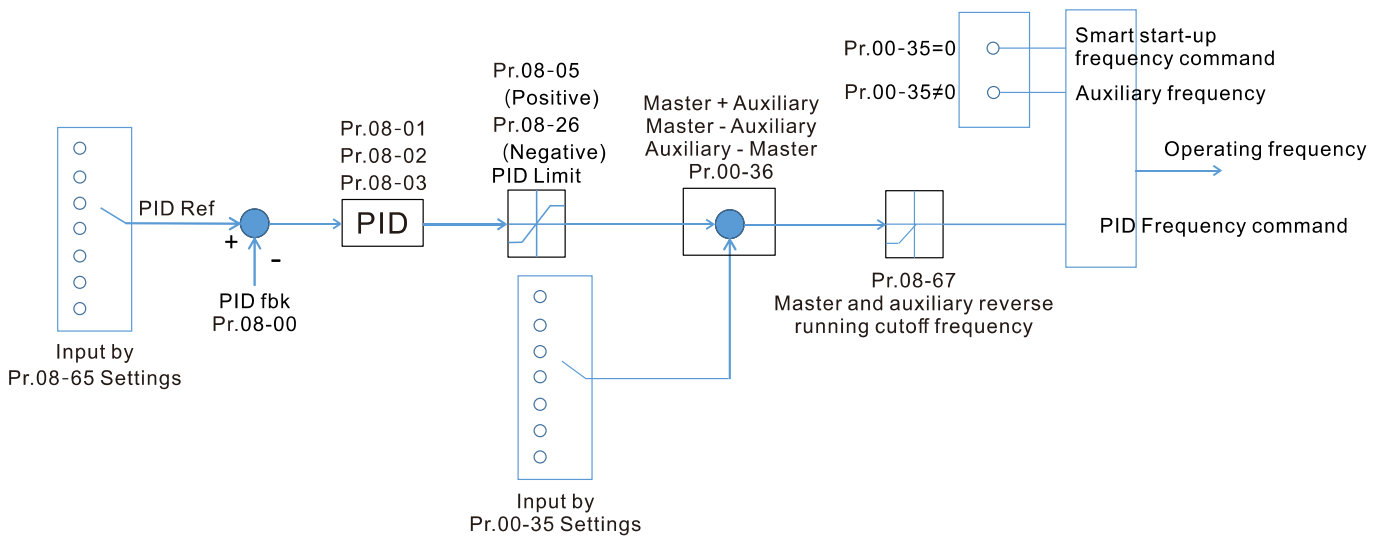
Output frequency=Fmax (Pr.01-00) * error% ((PID reference value (Pr.00-20 / Pr.00-30) – PID feedback (Pr.08-00)) * Pr.08-01.

- When Pr.08-65≠0, the internal calculation of the proportional gain reduces by 100 times, that is, when Pr.01-00 Fmax=60 Hz, error=100%, Pr.08-01=1.00, then the output frequency is "0.01" times the Pr.01-00 Fmax. Therefore, the output frequency=60 * 100% * 0.01=0.6 Hz.

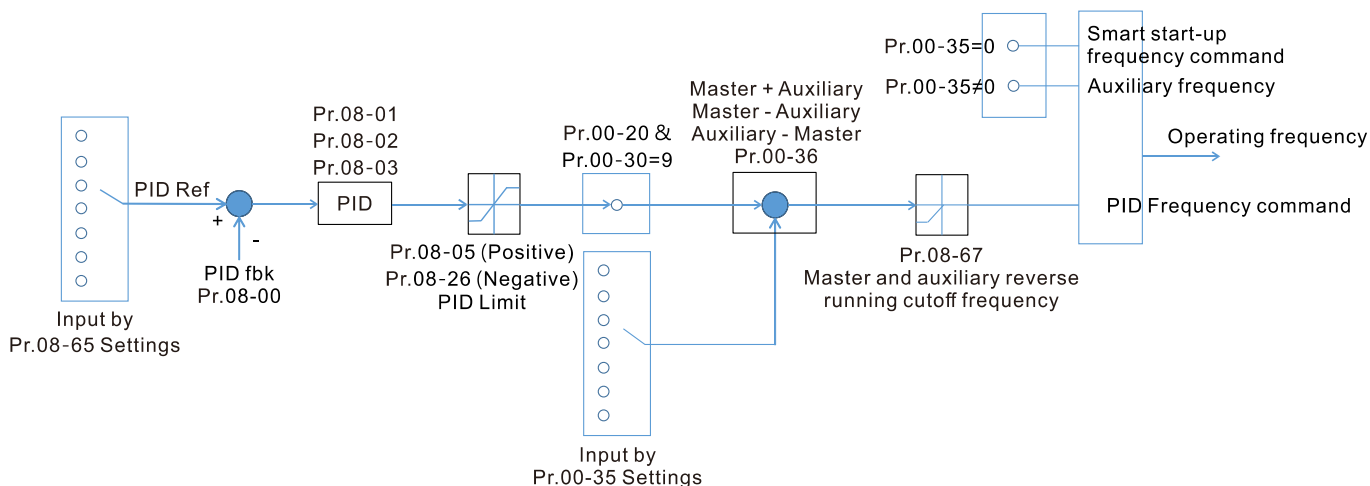
Calculation formula:

Output frequency=Fmax (Pr.01-00) * error% ((PID reference value (Pr.08-66) – PID feedback value (Pr.08-00)) * Pr.08-01 * 0.01.

- When Pr.08-65=0, the PID controller architecture shows as the diagram below:



When Pr.08-65≠0, the PID controller architecture shows as the diagram below:



- 📖 When Pr.08-65 is not set to 0, Pr.00-20 is automatically set to 9.
- 📖 When Pr.08-65 is set to 1, set the PID command through Pr.08-66; when Pr.08-65 is not set to 1, Pr.08-66 displays the PID command.
- 📖 When Pr.08-65 is set to 2, 4, and 6, the corresponding communication address is C2003H.

🚩 **08-66** PID Target Value Setting

Default: 50.00

Settings -100.00–100.00%

- 📖 The target value setting of the PID controller (Pr.08-66) is a relative value.

🚩 **08-67** Master and Auxiliary Reverse Running Cutoff Frequency

Default: 10.0

Settings 0.0–100.0%

- 📖 100% corresponds to Pr.01-00 the maximum operation frequency
- 📖 In some cases, it is only possible for the PID to control the set point and the feedback to the same status when the PID output frequency is negative (the motor runs in reverse). However, an excessively high reverse frequency is not allowed in some cases, and Pr.08-67 is used to determine the upper limit of the reverse frequency

🚩 **08-68** PID Deviation Limit

Default: 0.00

Settings 0.00–100.00%

- 📖 When Pr.08-68 is not set to 0, the PID deviation limit function is enabled.
- 📖 When $PID\ deviation \leq PID\ deviation\ limit$, PID stops adjusting, which means the PID output frequency maintains the value at last status. This function is effective for some closed-loop control applications.

↗ **08-69** Integral Separation Level

Default: 0.00

Settings 0.00–100.00%

- 📖 Reduces overshoot when overshoot occurs in the PID feedback at start-up.
- 📖 When Pr.08-69 is not set to 0, the integral separation function is enabled.
- 📖 The benchmark for the integral separation level is the PID error%.
- 📖 The integral separation function activates only once at start-up.
- 📖 When PID deviation \geq Pr.08-69, the integral effect is cancelled to avoid the increasing system overshoot due to the integral effect. When PID deviation is smaller than Pr.08-69, the integral effect is activated to eliminate the steady-state error.

08-70 Smart Start-up Level

Default: 5.00

Settings 0.00–100.00%

↗ **08-71** Smart Start-up Frequency Command

Default: 0.00

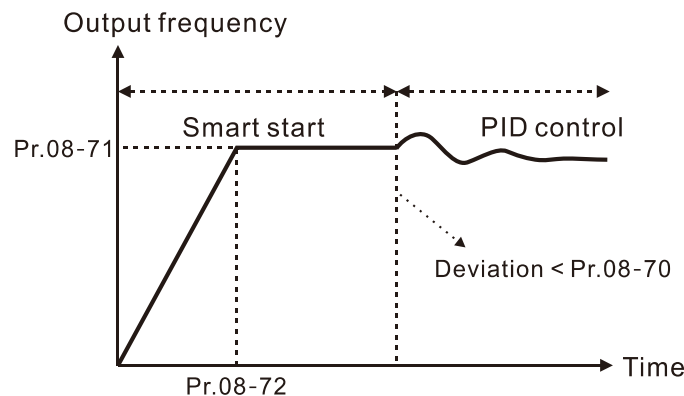
Settings 0.00–599.00 Hz

↗ **08-72** Smart Start-up Acceleration Time

Default: 3.00

Settings 0.00–600.00 sec.

- 📖 When Pr.08-71 is not set to 0, the smart start-up function is enabled.
- 📖 The benchmark for the smart start-up level is the percentage of PID deviation.
- 📖 Use the smart start-up function to reduce overshoot when overshoot occurs in the PID feedback at start-up. The smart start-up activates only once at start-up.
- 📖 When the smart start-up function is enabled, it starts with the Pr.08-71 frequency and Pr.08-72 acceleration time (Pr.08-72 acceleration time is the time that it accelerates to Pr.08-71). When the PID deviation is smaller than Pr.08-70, it switches to the normal PID control (the smart start-up frequency is filled into the PID integral when switching to PID control to avoid discontinuous frequency).



08-75 PID2 Parameter Switch Condition

Default: 0

Settings 0: No switching (refer to Pr.08-01–Pr.08-03)
 1: Auto-switch based on the output frequency
 2: Auto-switch based on the deviation

08-76 PID2 Parameter Switch Deviation 1


Default: 10.00


Settings 0.00–Pr.08-77%

08-77 PID2 Parameter Switch Deviation 2

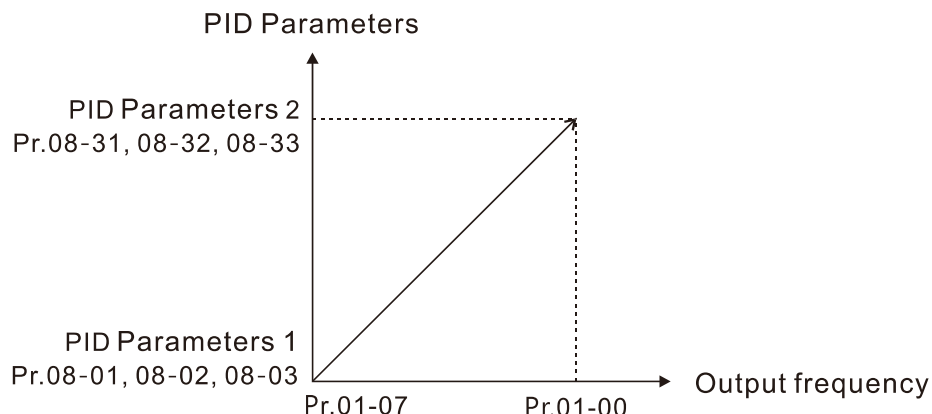
Default: 40.00

Settings Pr.08-76–100.00%

 A set of PID parameters cannot meet the requirements of the entire running process in some applications. Use Pr.08-75 to switch to the second set of PID parameters Pr.08-31–08-33. The setting method for Pr.08-31–08-33 is the same as that for Pr.08-01–08-03.

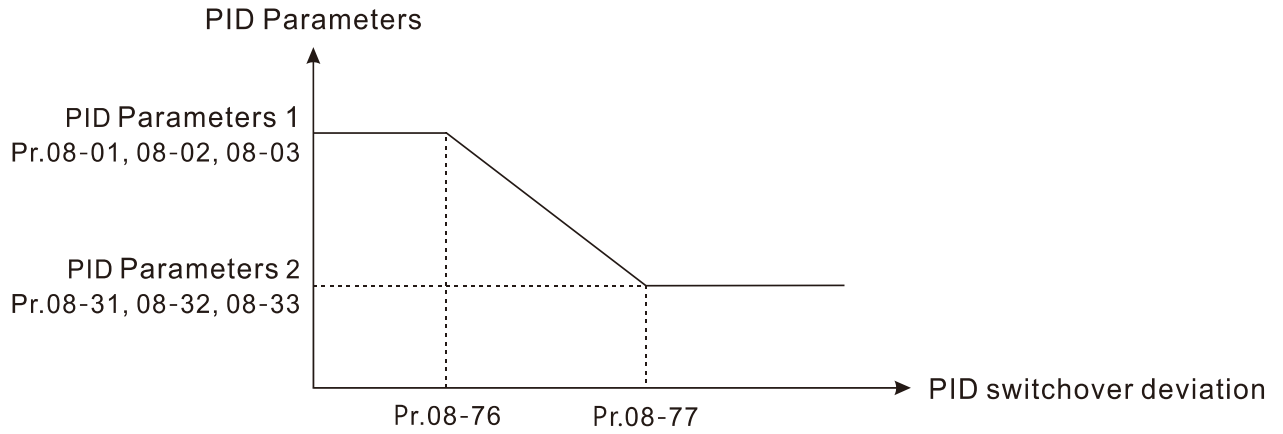
 The two sets of PID parameters switch automatically according to the frequency and deviation. Switch according to the output frequency:

- When the output frequency is between Pr.01-07 and Pr.01-00, the PID parameter is the linear interpolation value between the two PID parameter groups.



Switch according to the deviation:

- When the deviation absolute value between the set point and feedback is smaller than Pr.08-76 (PID2 Parameter Switch Deviation 1), the first group PID parameters are used.
- When the deviation absolute value between the set point and feedback is larger than Pr.08-77 (PID2 Parameter Switch Deviation 2), the second group PID parameters are used.
- When the deviation absolute value between the set point and feedback is between Pr.08-76 and Pr.08-77, the PID parameter is the linear interpolation value between the two PID parameter groups.



⚡ **08-78** Allowed Reverse Running Time after Start-up

Default: 0.0

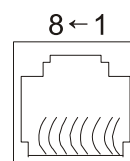
Settings 0.0–6553.5 sec.

- 📖 When Pr.08-78 is not set to 0, the allowed reverse running time after start-up is enabled.
- 📖 When it is set to 1 second, the PID control is not allowed to change the running direction within 0–1 seconds of starting time (Pr.08-21=0), and is allowed to change after 1 second of starting time (Pr.08-21=1).

09 Communication Parameters

✎ You can set this parameter during operation.

When using the communication interface, the diagram on the right shows the communication port pin definitions. We recommend that you connect the AC motor drive to your PC by using Delta IFD6530 or IFD6500 as a communication converter.



Modbus RS-485
 Pin 1, 2, 6: Reserved
 Pin 3, 7: SGND
 Pin 4: SG-
 Pin 5: SG+
 Pin 8: +10VS

✎ 09-00 Communication Address

Default: 1

Settings 1–254

📖 Sets the communication address for the drive if the AC motor drive is controlled through RS-485 serial communication. The communication address for each AC motor drive must be unique.

✎ 09-01 COM1 Transmission Speed

Default: 9.6

Settings 4.8–115.2 Kbps

📖 Sets the transmission speed between the computer and the AC motor drive.

📖 Options are 4.8 Kbps, 9.6 Kbps, 19.2 Kbps, 38.4 Kbps, 57.6 Kbps, or 115.2 Kbps; otherwise, the transmission speed is set to the default 9.6 Kbps.

✎ 09-02 COM1 Transmission Fault Treatment

Default: 3

Settings 0: Warn and continue operation

1: Fault and ramp to stop

2: Fault and coast to stop

3: No warning, no fault, and continue operation

📖 Determines the treatment when an error is detected that the host controller does not continuously transmit data to the AC motor drive during Modbus communication. The detection time is based on the Pr.09-03 setting.

📖 When a transmission error occurs (for example, the error code CE10 displays), the error remains even if the transmission status returns to normal, and is not cleared automatically. In this case, set a reset command (Reset) to clear the error.

✎ 09-03 COM1 Time-out Detection

Default: 0.0

Settings 0.0–100.0 sec.

📖 Sets the communication time-out value.

✎ 09-04 COM1 Communication Protocol

Default: 1


Settings 1: 7, N, 2 (ASCII)

2: 7, E, 1 (ASCII)

- 3: 7, O, 1 (ASCII)
- 4: 7, E, 2 (ASCII)
- 5: 7, O, 2 (ASCII)
- 6: 8, N, 1 (ASCII)
- 7: 8, N, 2 (ASCII)
- 8: 8, E, 1 (ASCII)
- 9: 8, O, 1 (ASCII)
- 10: 8, E, 2 (ASCII)
- 11: 8, O, 2 (ASCII)
- 12: 8, N, 1 (RTU)
- 13: 8, N, 2 (RTU)
- 14: 8, E, 1 (RTU)
- 15: 8, O, 1 (RTU)
- 16: 8, E, 2 (RTU)
- 17: 8, O, 2 (RTU)

 Control by PC (Computer Link)

When using the RS-485 serial communication interface, you must specify each drive's communication address in Pr.09-00. The computer then implements control using the drives' individual addresses.

 Modbus ASCII (American Standard Code for Information Interchange): Each byte of data is the combination of two ASCII characters. For example, one byte of data: 64 Hex, shown as '64' in ASCII, consists of '6' (36Hex) and '4' (34Hex).

1. Code Description

The communication protocol is in hexadecimal, ASCII: "0" ... "9", "A" ... "F", every hexadecimal value represents an ASCII code. The following table shows some examples.

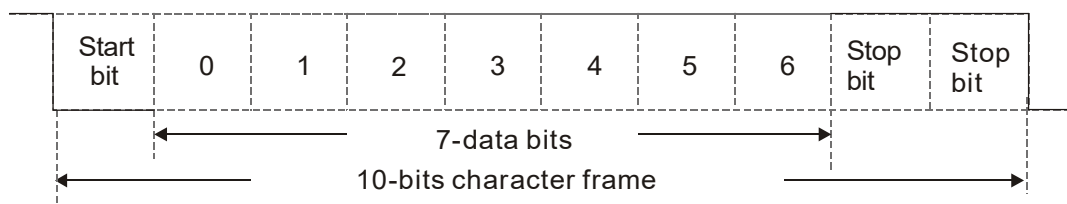
Character	'0'	'1'	'2'	'3'	'4'	'5'	'6'	'7'
ASCII code	30H	31H	32H	33H	34H	35H	36H	37H

Character	'8'	'9'	'A'	'B'	'C'	'D'	'E'	'F'
ASCII code	38H	39H	41H	42H	43H	44H	45H	46H

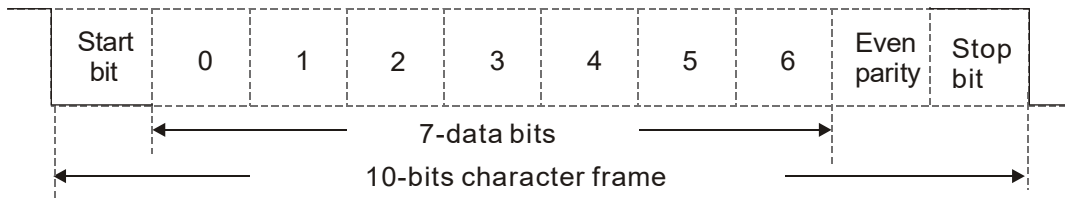
2. Data Format

10-bit character frame (For ASCII):

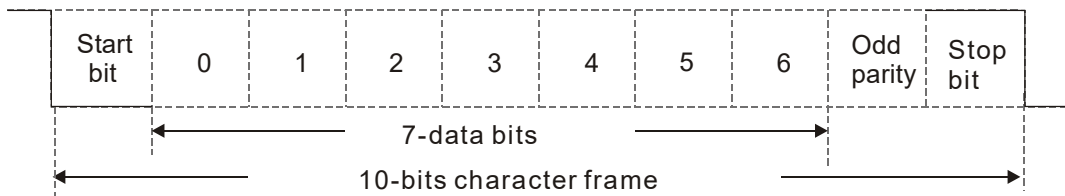
(7, N, 2)



(7, E, 1)

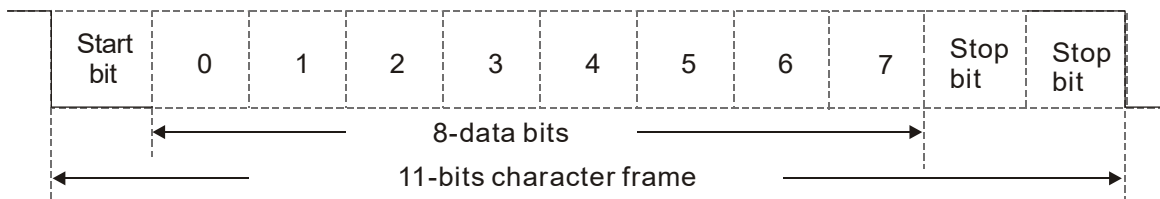


(7, O, 1)

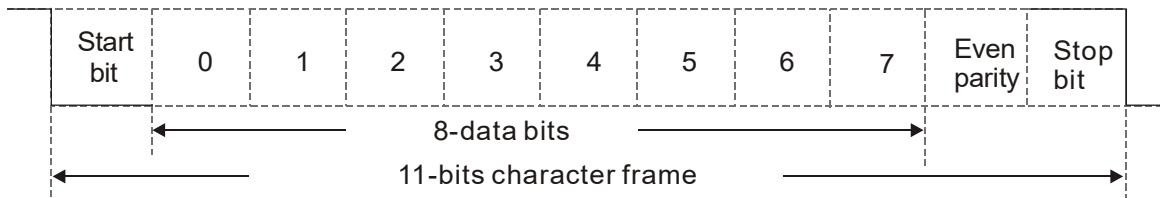


11-bit character frame (For RTU):

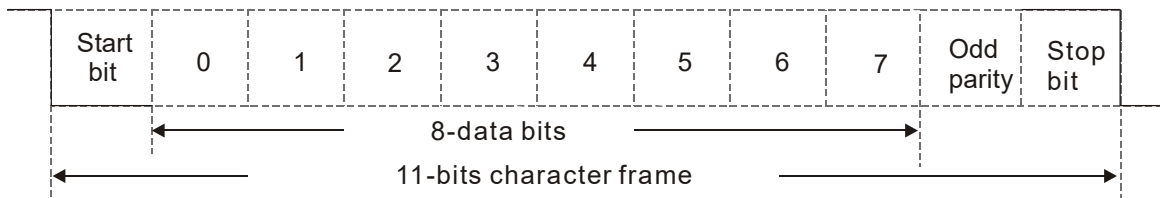
(8, N, 2)



(8, E, 1)



(8, O, 1)



3. Communication Protocol

3.1 Communication Data Frame

ASCII mode:

STX	Start character = ' : ' (3AH)
Address High	Communication address: one 8-bit address consists of 2 ASCII codes
Address Low	
Function High	Command code: one 8-bit command consists of 2 ASCII codes
Function Low	
DATA (n-1)	Contents of data: n x 8-bit data consists of 2n ASCII codes n ≤ 16, maximum of 32 ASCII codes (20 sets of data)
.....	
DATA 0	
LRC Check High	LRC checksum: one 8-bit checksum consists of 2 ASCII codes
LRC Check Low	
END High	End characters: END High = CR (0DH), END Low = LF (0AH)
END Low	

RTU mode:

START	Defined by a silent interval of larger than/equal to 10 ms
Address	Communication address: 8-bit binary address
Function	Command code: 8-bit binary command
DATA (n-1)	Contents of data: n x 8-bit data, n ≤ 16
.....	
DATA 0	
CRC Check Low	CRC checksum: one 16-bit CRC checksum consists of 2 8-bit binary characters
CRC Check High	
END	Defined by a silent interval of larger than/equal to 10 ms

3.2 Communication Address (Address)

00H: Broadcast to all AC motor drives

01H: AC motor drive at address 01

0FH: AC motor drive at address 15

10H: AC motor drive at address 16

:

FEH: AC motor drive at address 254

3.3 Function (Function code) and DATA (Data characters)

(1) 03H: Read data from a register

Example: Reading two continuous data from register address 2102H. AMD address is 01H.

ASCII mode:

Command Message		Response Message	
STX	‘.’	STX	‘.’
Address	‘0’	Address	‘0’
	‘1’		‘1’
Function	‘0’	Function	‘0’
	‘3’		‘3’
Starting register	‘2’	Number of register (count by byte)	‘0’
	‘1’		‘4’
	‘0’	Content of starting register 2102H	‘1’
	‘2’		‘7’
Number of register (count by word)	‘0’	Content of register 2103H	‘7’
	‘0’		‘0’
	‘0’		‘0’
	‘2’		‘0’
LRC Check	‘D’	LRC Check	‘0’
	‘7’		‘0’
END	CR	END	‘7’
	LF		‘1’
			CR
			LF

RTU mode:

Command Message		Response Message	
Address	01H	Address	01H
Function	03H	Function	03H
Starting data register	21H	Number of register (count by byte)	04H
	02H		Content of register address 2102H
Number of register (count by world)	00H		17H
	02H		70H
CRC Check Low	6FH	Content of register address 2103H	00H
CRC Check High	F7H		00H
		CRC Check Low	FEH
		CRC Check High	5CH

(2) 06H: Single write, write single data to a register

Example: Writing data 6000 (1770H) to register 0100H. AMD address is 01H.

ASCII mode:

Command Message		Response Message	
STX	‘.’	STX	‘.’
Address	‘0’	Address	‘0’
	‘1’		‘1’
Function	‘0’	Function	‘0’
	‘6’		‘6’
Target register	‘0’	Target register	‘0’
	‘1’		‘1’
	‘0’		‘0’
	‘0’		‘0’
Register content	‘1’	Register content	‘1’
	‘7’		‘7’
	‘7’		‘7’
	‘0’		‘0’

LRC Check	'7'	LRC Check	'7'
	'1'		'1'
END	CR	END	CR
	LF		LF

RTU mode:

Command Message		Response Message	
Address	01H	Address	01H
Function	06H	Function	06H
Target register	01H	Target register	01H
	00H		00H
Register content	17H	Register content	17H
	70H		70H
CRC Check Low	86H	CRC Check Low	86H
CRC Check High	22H	CRC Check High	22H

(3) 10H: Write multiple registers (can write at most 20 sets of data simultaneously).

Example: Set the multi-step speed of an AC motor drive (address is 01H):

Pr.04-00 = 50.00 (1388H), Pr.04-01 = 40.00 (0FA0H)

ASCII Mode:

Command Message		Response Message	
STX	':'	STX	':'
ADR 1	'0'	ADR 1	'0'
ADR 0	'1'	ADR 0	'1'
CMD 1	'1'	CMD 1	'1'
CMD 0	'0'	CMD 0	'0'
Target register	'0'	Target register	'0'
	'5'		'5'
	'0'		'0'
	'0'		'0'
Number of register (count by word)	'0'	Number of register (count by word)	'0'
	'0'		'0'
	'0'		'0'
	'2'		'2'
Number of register (count by Byte)	'0'	LRC Check	'E'
	'4'		'8'
The first data content	'1'	END	CR
	'3'		LF
	'8'		
	'8'		
The second data content	'0'		
	'F'		
	'A'		
	'0'		
LRC Check	'9'		
	'A'		
END	CR		
	LF		

RTU mode:

Command Message		Response Message	
ADR	01H	ADR	01H
CMD	10H	CMD 1	10H
Target register	05H	Target register	05H
	00H		00H
Number of register (count by word)	00H	Number of register (count by word)	00H
	02H		02H
Quantity of data (byte)	04	CRC Check Low	41H
The first data content	13H	CRC Check High	04H
	88H		
The second data content	0FH		
	A0H		
CRC Check Low	'9'		
CRC Check High	'A'		

3.4 Checksum

(1) ASCII mode (LRC Check):

LRC (Longitudinal Redundancy Check) is calculated by summing up the values of the bytes from ADR1 to the last data character then calculating the hexadecimal representation of the 2's-complement negation of the sum.

For example, as shown in the above Section 3.3.(1),

$01H + 03H + 21H + 02H + 00H + 02H = 29H$, the 2's-complement negation of 29H is **D7H**.

(2) RTU mode (CRC Check):

CRC (Cyclical Redundancy Check) is calculated by the following steps:

Step 1: Load a 16-bit register (called CRC register) with FFFFH.

Step 2: Exclusive OR the first 8-bit byte of the command message with the low order byte of the 16-bit CRC register, and put the result in the CRC register.

Step 3: Examine the LSB of CRC register.

Step 4: If the LSB of CRC register is 0, shift the CRC register one bit to the right, fill MSB with zero, then repeat step 3. If the LSB of CRC register is 1, shift the CRC register one bit to the right, fill MSB with zero, Exclusive OR the CRC register with the polynomial value A001H, then repeat step 3.

Step 5: Repeat step 3 and 4 until you perform eight shifts. This processes a complete 8-bit byte.

Step 6: Repeat step 2 through 5 for the next 8-bit byte of the command message. Continue doing this until all bytes are processed. The final contents of the CRC register are the CRC value. When transmitting the CRC value in the message, the upper and lower bytes of the CRC value must be swapped, that is, the lower order byte is transmitted first.

The following is an example of CRC generation using C language.

The function takes two arguments:

Unsigned char* data ← a pointer to the message buffer

Unsigned char length ← the quantity of bytes in the message buffer

The function returns the CRC value as a type of unsigned integer.


```

Unsigned int crc_chk(unsigned char* data, unsigned char length)
{
    int j;
    unsigned int reg_crc=0Xffff;
    while(length--){
        reg_crc ^= *data++;
        for(j=0;j<8;j++){
            if(reg_crc & 0x01){ /* LSB(b0)=1 */
                reg_crc=(reg_crc>>1) ^ 0Xa001;
            }else{
                reg_crc=reg_crc >>1;
            }
        }
    }
    return reg_crc; // return register CRC
}
    
```

4. Address list

Content	Address	Function	
AC motor drive parameters	GGnnH	GG is the parameter group, nn is the parameter number; for example, the address of Pr.04-10 is 040AH.	
Command write only	2000H	bit 1–0	00B: No function
			01B: Stop
			10B: Run
			11B: JOG + RUN
		bit 3–2	Reserved
		bit 5–4	00B: No function
			01B: FWD
			10B: REV
			11B: Change direction
		bit 7–6	00B: 1 st accel. / decel.
			01B: 2 nd accel. / decel.
			10B: 3 rd accel. / decel.
			11B: 4 th accel. / decel.
		bit 11–8	000B: Master speed
			0001B: 1 st step speed frequency
			0010B: 2 nd step speed frequency
			0011B: 3 rd step speed frequency
			0100B: 4 th step speed frequency
			0101B: 5 th step speed frequency
			0110B: 6 th step speed frequency
0111B: 7 th step speed frequency			
1000B: 8 th step speed frequency			
1001B: 9 th step speed frequency			
1010B: 10 th step speed frequency			
1011B: 11 th step speed frequency			
1100B: 12 th step speed frequency			
1101B: 13 th step speed frequency			
1110B: 14 th step speed frequency			
1111B: 15 th step speed frequency			
bit 12	1: Enable bit 06–11 function		
bit 14–13	00B: No function		
	01B: Operated by the digital keypad		
	10B: Operated by Pr.00-21 setting		
bit 15	11B: Change the operation source		
	Reserved		
2001H	Frequency command (XXX.XX Hz)		
2002H	bit 0	1: E.F. (External Fault) ON	
	bit 1	1: Reset command	

Content	Address	Function	
		bit 2 1: B.B. ON	
		bit 4–3 Reserved	
		bit 5 1: Enable fire mode	
		bit 15–6 Reserved	
Status monitor read only	2100H	High byte: Warning code / Low Byte: Error code	
	2101H	bit 1–0	AC motor drive operation status 00B: The drive stops 01B: The drive is decelerating 10B: The drive is in standby status 11B: The drive is operating
		bit 2	1: JOG command
		bit 4–3	Operation direction 00B: FWD running 01B: From REV running to FWD running 10B: From FWD running to REV running 11B: REV running
		bit 8	1: Master frequency controlled by the communication interface
		bit 9	1: Master frequency controlled by the analog / external terminal signal
		bit 10	1: Operation command controlled by the communication interface
		bit 11	1: Parameter locked
		bit 12	1: Enable to copy parameters from keypad
		bit 15–13	Reserved
	2102H	Frequency command (XXX.XX Hz)	
	2103H	Output frequency (XXX.XX Hz)	
	2104H	Display the drive's output current (XX.XX A). When the current is higher than 655.35, it automatically shifts one decimal place as (XXX.X A). Refer to the high byte of 211F for information on the decimal places.	
	2105H	DC bus voltage (XXX.X V)	
	2106H	Output voltage (XXX.X V)	
	2107H	Current step for the multi-step speed operation	
	2108H	Reserved	
	2109H	Counter value	
	210AH	Output power factor angle (XXX.X)	
	210BH	Output torque (XXX.X %)	
	210CH	Actual motor speed (XXXXX rpm)	
	210DH	Reserved	
	210EH	Reserved	
	210FH	Power output (X.XXX kW)	
	2116H	Multi-function display (Pr.00-04)	
	211BH	Maximum Operation Frequency (Pr.01-00) or Maximum User-defined Value (Pr.00-26) When Pr.00-26 is 0, this value is equal to Pr.01-00 setting When Pr.00-26 is not 0, and the command source is keypad, this value = Pr.00-24 * Pr.00-26 / Pr.01-00. When Pr.00-26 is not 0, and the command source is 485, this value = Pr.09-10 * Pr.00-26 / Pr.01-00.	
	211FH	High byte: the decimal place of current value (display)	
	2200H	Display the drive's output current (XX.XX A). When the current is higher than 655.35, it automatically shifts one decimal place as (XXX.X A). Refer to the high byte of 211F for information on the decimal places.	
	2201H	Counter value	
	2202H	Actual output frequency (XXXXX Hz)	

Content	Address	Function
	2203H	DC bus voltage (XXX.X V)
	2204H	Output voltage (XXX.X V)
	2205H	Power factor angle (XXX.X)
	2206H	Display the output power of U, V, W (XXXX.X kW)
	2207H	Display the motor speed estimated by the drive or encoder feedback (XXXXX rpm)
	2208H	Display the positive / negative output torque estimated by the drive (+0.0: positive torque; -0.0: negative torque) (XXX.X%)
	2209H	Reserved
	220AH	Display the PID feedback value after enabling PID function (XXX.XX%)
	220BH	Display the AVI analog input terminal signal, 0–10 V corresponds to 0.00–100.00% (see Explanation 1 in Pr.00-04)
	220CH	Display the ACI analog input terminal signal, 4–20 mA / 0–10 V corresponds to 0.00–100.00% (2.) (see Explanation 2 in Pr.00-04)
	220DH	Reserved
	220EH	IGBT temperature of the power module (XXX.X °C)
	220FH	Reserved
	2210H	The digital input status (ON / OFF), refer to Pr.02-12 (see Explanation 2 in Pr.00-04)
	2211H	The digital output status (ON / OFF), refer to Pr.02-18 (see Explanation 3 in Pr.00-04)
	2212H	Current step for the multi-step speed operation
	2213H	The corresponding CPU digital input pin status (d.) (see Explanation 3 in Pr.00-04)
	2214H	The corresponding CPU digital output pin status (O.) (see Explanation 4 in Pr.00-04)
	2215H	Reserved
	2216H	Pulse input frequency (XXX.XX Hz)
	2217H	Reserved
	2218H	Reserved
	2219H	Counter value of overload (XXX.XX %)
	221AH	GFF (XXX.XX %)
	221BH	DC bus voltage ripples (XXX.X V)
	221CH	PLC register D1043 data
	221DH	Magnetic field area of the synchronous motor
	221EH	User page displays the value in physical measure
	221FH	Output value of Pr.00-05 (XXX.XX Hz)
	2220H	Reserved
	2221H	Reserved
	2222H	Reserved
	2223H	Control mode of the drive 0: speed mode 1: torque mode
	2224H	Carrier frequency of the drive (XX kHz)
	2225H	Reserved
	2226H	Drive status bit 1–0 00b: No direction 01b: Forward 10b: Reverse bit 3–2 01b: Drive ready 10b: Error bit 4 0b: Motor drive does not output 1b: Motor drive outputs bit 5 0b: No warning 1b: Warning
	2227H	Drive's estimated output torque (positive or negative direction) (XXXX Nt-m)

Content	Address	Function
	2228H	Reserved
	2229H	KWH display (XXXX.X)
	222AH	Reserved
	222BH	Reserved
	222CH	Reserved
	222DH	Reserved
	222EH	PID target value (XXX.XX %)
	222FH	PID offset (XXX.XX %)
	2230H	PID output frequency (XXX.XX Hz)
	2231H	Reserved
	2232H	Display the auxiliary frequency
	2233H	Display the master frequency
	2234H	Display the frequency after adding and subtracting of the master and auxiliary frequencies.

5. Exception response:

When the drive is using the communication connection, if an error occurs, the drive responds to the error code and sets the highest bit (bit 7) of the command code to 1 (function code AND 80H) then responds to the control system to signal that an error occurred.

If the keypad displays “CE-XX” as a warning message, “XX” is the error code at that time. Refer to the table of error codes for communication error for reference.

Example:

ASCII mode:		RTU mode:	
STX	‘.’	Address	01H
Address	‘0’	Function	86H
	‘1’	Exception code	02H
Function	‘8’	CRC Check Low	C3H
	‘6’	CRC Check High	A1H
Exception code	‘0’		
	‘2’		
LRC Check	‘7’		
	‘7’		
END	CR		
	LF		

The following table describes the exception code.

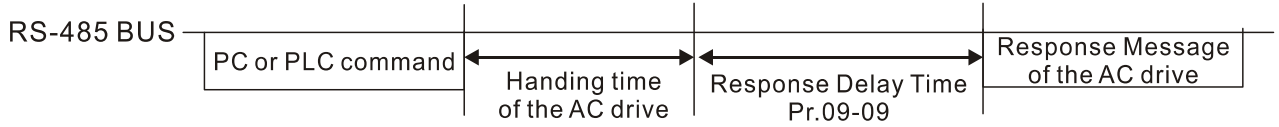
Exception Code	Description
1	Function code is not supported or unrecognized.
2	Address is not supported or unrecognized.
3	Data is not correct or unrecognized.
4	Failure to execute this function code

09-09 Communication Response Delay Time

Default: 2.0

Settings 0.0–200.0 ms

If the host controller does not finish the transmitting/receiving process, you can use this parameter to set the response delay time after the AC motor drive receives communication command as shown in the following picture.



09-10 Communication Main Frequency

Default: 60.00

Settings 0.00–599.00 Hz

When you set Pr.00-20 to 1 (RS-485 communication input), the AC motor drive saves the last Frequency command into Pr.09-10 when there is abnormal power off or momentary power loss. When power is restored, the AC motor drive operates with the frequency in Pr.09-10 if there is no new Frequency command input. When a Frequency command of 485 changes (the Frequency command source must be set as Modbus), this parameter also changes.

- 09-11** Block Transfer 1
- 09-12** Block Transfer 2
- 09-13** Block Transfer 3
- 09-14** Block Transfer 4
- 09-15** Block Transfer 5
- 09-16** Block Transfer 6
- 09-17** Block Transfer 7
- 09-18** Block Transfer 8
- 09-19** Block Transfer 9
- 09-20** Block Transfer 10
- 09-21** Block Transfer 11
- 09-22** Block Transfer 12
- 09-23** Block Transfer 13
- 09-24** Block Transfer 14
- 09-25** Block Transfer 15
- 09-26** Block Transfer 16

Default: 0

Settings 0–65535

There is a group of block transfer parameters available in the AC motor drive (Pr.09-11–Pr.09-26). Using communication code 03H, you can store the parameters (Pr.09-11–Pr.09-26) that you want to read.

09-30 Communication Decoding Method

Default: 1

Settings 0: Decoding method 1
1: Decoding method 2

		Decoding Method 1	Decoding Method 2
Source of Operation Control	Digital Keypad	Digital keypad controls the drive action regardless of decoding method 1 or 2.	
	External Terminal	External terminal controls the drive action regardless of decoding method 1 or 2.	
	RS-485	Refer to address: 2000h–20FFh	Refer to address: 6000h–60FFh
	CANopen	Refer to index: 2020-01h–2020-FFh	Refer to index:2060-01h–2060-FFh
	Communication Card	Refer to address: 2000h–20FFh	Refer to address: 6000h–60FFh
	PLC	PLC command controls the drive action regardless of decoding method 1 or 2.	

09-33 PLC Command Force to 0

Default: 0

Setting 0–65535

Defines whether the Frequency command or the Speed command must be cleared to zero or not before the PLC starts the next scan.

bit	Description
bit 0	Before PLC scan, set the PLC target frequency = 0
bit 1	Before PLC scan, set the PLC target torque = 0
bit 2	Before PLC scan, set the speed limit of torque mode = 0

09-35 PLC Address

Default: 2

Settings 1–254

09-36 CANopen Slave Address

Default: 0

Settings 0: Disable
1–127

09-37 CANopen Speed

Default: 0

Settings 0: 1 Mbps
1: 500 Kbps
2: 250 Kbps
3: 125 Kbps
4: 100 Kbps (Delta only)
5: 50 Kbps

09-39 CANopen Warning Record

Default: 0

- Settings
- bit 0: CANopen software disconnection 1 (CANopen Guarding Time-out)
 - bit 1: CANopen software disconnection 2 (CANopen Heartbeat Time-out)
 - bit 3: CANopen SDO time-out
 - bit 4: CANopen SDO buffer overflow
 - bit 5: CANopen hardware disconnection warning (CANopen Bus OFF)
 - bit 6: CANopen format error warning (Error protocol for CANopen)

09-40 CANopen Decoding Method

Default: 1

- Settings
- 0: Use Delta-defined decoding method
 - 1: Use CANopen Standard DS402 protocol

09-41 CANopen Communication Status

Default: Read only

- Settings
- 0: Node Reset State
 - 1: Com Reset State
 - 2: Boot up State
 - 3: Pre-operation State
 - 4: Operation State
 - 5: Stop State

09-42 CANopen Control Status

Default: Read only

- Settings
- 0: Not ready for use state
 - 1: Inhibit start state
 - 2: Ready to switch on state
 - 3: Switched on state
 - 4: Enable operation state
 - 7: Quick stop active state
 - 13: Error reaction activation state
 - 14: Error state

09-43 CANopen Reset Index

Default: 65535

- Settings
- bit 0: CANopen reset, the internal address 20XX is 0
 - bit 1: CANopen reset, the internal address 264X is 0
 - bit 2: CANopen reset, the internal address 26AX is 0
 - bit 3: CANopen reset, the internal address 60XX is 0

09-60 Communication Card Identification

Default: Read only

- Settings
- 0: No communication card
 - 1: DeviceNet Slave
 - 2: PROFIBUS-DP Slave
 - 3: CANopen Slave
 - 4: Modbus-TCP Slave
 - 5: EtherNet/IP Slave
 - 6: EtherCAT
 - 10: Backup Power Supply

09-61 Firmware Version of Communication Card**09-62** Product Code**09-63** Error code

Default: Read only

Settings Read only

↗ **09-70** Communication Card Address (for DeviceNet or PROFIBUS)

Default: 1

- Settings
- DeviceNet: 0–63
 - PROFIBUS-DP: 1–125

↗ **09-71** Communication Card Speed Setting (for DeviceNet)

Default: 2

- Settings
- Standard DeviceNet:
 - 0: 125 Kbps
 - 1: 250 Kbps
 - 2: 500 Kbps
 - 3: 1 Mbps (Delta Only)
 - Non-standard DeviceNet: (Delta only):
 - 0: 10 Kbps
 - 1: 20 Kbps
 - 2: 50 Kbps
 - 3: 100 Kbps
 - 4: 125 Kbps
 - 5: 250 Kbps
 - 6: 500 Kbps
 - 7: 800 Kbps
 - 8: 1 Mbps

✎ **09-72** Additional Settings for Communication Card Speed (for DeviceNet) Default: 0

Settings 0: Disable
 In this mode, the baud rate can only be 125 Kbps, 250 Kbps, 500 Kbps, or 1 Mbps in standard DeviceNet speed.

1: Enable
 In this mode, the DeviceNet baud rate can be same as that for CANopen (0–8).

📖 Use this parameter with Pr.09-71.

📖 0: The baud rate can only be set to 0, 1, 2 or 3 as a standard DeviceNet speed.

📖 1: The DeviceNet communication rate can be the same as that for CANopen (setting 0–8).

✎ **09-75** Communication Card IP Configuration (for Modbus TCP) Default: 0

Settings 0: Static IP
 1: Dynamic IP (DHCP)

📖 0: Set the IP address manually.

📖 1: IP address is dynamically set by the host controller.

✎ **09-76** Communication Card IP Address 1 (for Modbus TCP)

✎ **09-77** Communication Card IP Address 2 (for Modbus TCP)

✎ **09-78** Communication Card IP Address 3 (for Modbus TCP)

✎ **09-79** Communication Card IP Address 4 (for Modbus TCP) Default: 0

Settings 0–255

📖 Use Pr.09-76–Pr.09-79 with a communication card.

✎ **09-80** Communication Card Address Mask 1 (for Modbus TCP)

✎ **09-81** Communication Card Address Mask 2 (for Modbus TCP)

✎ **09-82** Communication Card Address Mask 3 (for Modbus TCP)

✎ **09-83** Communication Card Address Mask 4 (for Modbus TCP) Default: 0

Settings 0–255

✎ **09-84** Communication Card Gateway Address 1 (for Modbus TCP)

✎ **09-85** Communication Card Gateway Address 2 (for Modbus TCP)

✎ **09-86** Communication Card Gateway Address 3 (for Modbus TCP)

✎ **09-87** Communication Card Gateway Address 4 (for Modbus TCP) Default: 0

Settings 0–255

↗	09-88	Communication Card Password (Low Word) (for Modbus TCP)	
↗	09-89	Communication Card Password (High Word) (for Modbus TCP)	Default: 0
		Settings 0–99	
↗	09-90	Reset Communication Card (for Modbus TCP)	Default: 0
		Settings 0: Disable 1: Reset to defaults	
↗	09-91	Additional Settings for the Communication Card (for Modbus TCP)	Default: 0
		Settings bit 0: Enable IP filter bit 1: Enable Internet parameters (1 bit) When the IP address is set, this bit is enabled. After updating the parameters for the communication card, this bit changes to disabled. bit 2: Enable login password (1 bit) When you enter the login password, this bit is enabled. After updating the communication card parameters, this bit changes to disabled.	
	09-92	Communication Card Status (for Modbus TCP)	Default: 0
		Settings bit 0: Enable password When the communication card is set with a password, this bit is enabled. When the password is cleared, this bit is disabled.	

[This page intentionally left blank]

10 Speed Feedback Control Parameters

✎ You can set this parameter during operation.

In this parameter group, ASR is the abbreviation for Adjust Speed Regulator and PG is the abbreviation for Pulse Generator.

10-00 Encoder Type Selection

Default: 0

Settings 0: Disabled
5: Pulse input (MI7)

- 📖 When you use MI7 single-phase pulse input, you must use it with Pr.00-20=4, Pr.10-00=0 and Pr.10-16=5.
- 📖 When you use MI7 single-phase puluse input as speed feedback, you must use it with Pr.10-00=5 and Pr.10-02=5. The drive calculates the MI7 single-phase pulse input speed when the control modes are VF, VFPG, SVC IM/PM FOC sensorless, and IM/PM TQC
- 📖 The MS300 does not support the full position control pulse command input function.

10-01 Encoder Pulses per Revolution

Default: 600

Settings 1–20000

- 📖 This parameter sets the encoder pulses per revolution (PPR). It is a feedback control signal source when using PG. The encoder sets the number of pulses for the motor rotating through one rotation. The A/B phase cycle generates the pulse number.
- 📖 This setting is also the encoder resolution. The speed control is more accurate with higher resolution.
- 📖 If you set this parameter incorrectly, it may cause motor stall, drive over-current, or a permanent magnetic pole origin detection error for the PM motor in closed-loop control. When using the PM motor, you must perform the magnetic pole origin detection (Pr.05-00 = 13) again if you modify the content of this parameter.

10-02 Encoder Input Type Setting

Default: 0

Settings 0: Disable
5: Single-phase input (MI7)



✎ 10-04 Mechanical Gear at Load Side A1

✎ 10-05 Mechanical Gear at Motor Side B1

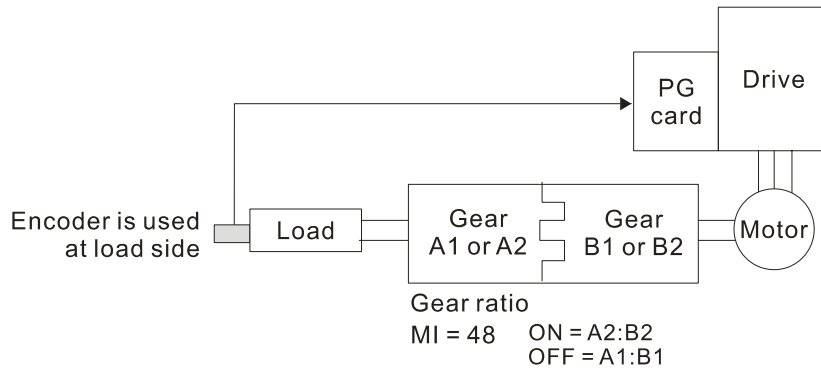
✎ 10-06 Mechanical Gear at Load Side A2

✎ 10-07 Mechanical Gear at Motor Side B2

Default: 100

Settings 1–65535

- 📖 Use Pr.10-04–Pr.10-07 with the multi-function input terminal setting 48 to switch to Pr.10-04–Pr.10-05 or Pr.10-06–Pr.10-07, as shown in the diagram below.



10-10 Encoder Stall Level

Default: 115

Settings 0–120% (0: Disable)

☰ Determines the maximum encoder feedback signal allowed before a fault occurs; the maximum operation frequency Pr.01-00 = 100%.

10-11 Detection Time of Encoder Stall

Default: 0.1

Settings 0.0–2.0 sec.

10-12 Encoder Stall Action

Default: 2

Settings 0: Warn and continue operation
 1: Fault and ramp to stop
 2: Fault and coast to stop

☰ When the drive output frequency exceeds the encoder stall level (Pr.10-10), the drive starts to count the time. When the error time exceeds the encoder stall detection time (Pr.10-11), the drive implements the encoder stall action.

10-13 Encoder Slip Range

Default: 50

Settings 0–50% (0: Disable)

10-14 Detection Time of Encoder Slip

Default: 0.5

Settings 0.0–10.0 sec.

10-15 Encoder Stall and Slip Error Action

Default: 2

Settings 0: Warn and continue operation
 1: Fault and ramp to stop
 2: Fault and coast to stop

☰ This parameter acts on the settings for Pr.10-13–Pr.10-15:
 When the value of (rotation speed – motor frequency) exceeds the Pr.10-13 setting, and the detection time exceeds Pr.10-14; the drive starts to count the time. If the detection time exceeds Pr.10-14, the encoder feedback signal error occurs.

10-16 Pulse Input Type Setting

Default: 0

Settings 0: Disabled
5: Single-phase input (MI7)

- When Pr.10-16=5, you cannot set Pr.10-02 to 5: Single-phase input (MI7) for closed-loop control.
- The setting steps when using the MI7 single-phase pulse input as the frequency command:
 1. Set Pr.00-20=4: Pulse input without direction command
 2. Set Pr.10-00=5: Pulse input (MI7)
 3. Set Pr.10-01 to motor pulses per revolution (PPR)
 4. Set Pr.10-16=5: Single-phase input (MI7)
 5. Set Pr.00-04=22 (Pulse input frequency) to verify if the pulse input frequency is correct.

10-17 Electrical Gear A

10-18 Electrical Gear B

Default: 100

Settings 1–65535

- Rotation speed = pulse frequency / encoder pulses (Pr.10-01) * electrical gear A / electrical gear B.

10-21 PG2 Pulse Input Speed Command Low Pass Filter Time

Default: 0.100

Settings 0.000–65.535 sec.

- When you set Pr.00-20 to 4, the system treats the pulse command as a Frequency command. Use this parameter to suppress the speed command jump.

10-24 FOC & TQC Function Control

Default: 0

Settings 0–65535

bit	Description
0	ASR controller under torque control. 0: use PI as ASR; 1: use P as ASR
1–10	N/A
11	Activates the DC brake when executing the zero torque command. 0:ON; 1:OFF
12	FOC sensorless mode with crossing zero means the speed goes from negative to positive or positive to negative (forward to reverse direction or reverse to forward direction). 0: determined by the stator frequency; 1: determined by the speed command
13	N/A
14	N/A
15	Direction control in open-loop torque 0: Switch ON direction control; 1: Switch OFF direction control

- Only bit = 0 is used for closed-loop; other bits are used for open-loop.

10-25 FOC Bandwidth for Speed Observer

Default: 40.0

Settings 20.0–100.0 Hz

- Setting the speed observer to a higher bandwidth could shorten the speed response time but creates greater noise interference during the speed observation.

10-26 FOC Minimum Stator Frequency

Default: 2.0

Settings 0.0–10.0% fN

- Sets the stator frequency lower limit in operation status. This setting ensures the stability and accuracy of observer and avoids interferences from voltage, current and motor parameters. fN is the motor rated frequency.

10-27 FOC Low Pass Filter Time Constant

Default: 50

Settings 1–1000 ms

- Sets the low pass filter time constant of a flux observer at start-up. If you cannot activate the motor during high speed operation, lower the setting for this parameter.

10-28 FOC Gain for Excitation Current Rise Time

Default: 100

Settings 33–100% Tr

- Sets the drive's excitation current rise time when it activates in open-loop torque mode. When the drive's activation time is too long in torque mode, adjust this parameter to a shorter time value. Tr is the rotor time constant.

10-29 Upper Limit of Frequency Deviation

Default: 20.00

Settings 0.00–200.00 Hz

- Limits the maximum frequency deviation.
- If you set this parameter too high, an abnormal feedback malfunction occurs.
- If the application needs a higher setting for Pr.10-29, note that a higher setting results in larger motor slip, which causes a PG Error (PGF3, PGF4). In this case, you can set Pr.10-10 and Pr.10-13 to 0 to disable PGF3 and PGF4 detection, but you must make sure the MI7 wiring and application are correct; otherwise, it may lose the instant PG protection. Setting Pr.10-29 too high is not commonly done.

10-31 I/F Mode, Current Command

Default: 40

Settings 0–150% rated current of the motor

- Sets the current command for the drive in the low speed area (low speed area: Frequency command < Pr.10-39). When the motor stalls on heavy duty start-up or forward/reverse with load, increase the parameter value. If the inrush current is too high and causes oc stall, then decrease the parameter value.

10-32 PM FOC Sensorless Speed Estimator Bandwidth

Default: 5.00

Settings 0.00–600.00 Hz

- 📖 Sets the speed estimator bandwidth. Adjust the parameter to influence the stability and the accuracy of the motor speed.
- 📖 If there is low frequency vibration (the waveform is similar to a sine wave) during the process, then increase the bandwidth. If there is high frequency vibration (the waveform shows extreme vibration and is like a spur), then decrease the bandwidth.

10-34 PM Sensorless Speed Estimator Low-pass Filter Gain

Default: 1.00

Settings 0.00–655.35

- 📖 Influences the response speed of the speed estimator.
- 📖 If there is low frequency vibration (the waveform is similar to a sine wave) during the process, then increase the gain. If there is high frequency vibration (the waveform shows extreme vibration and is like a spur), then decrease the gain.

10-35 AMR (Kp) Gain

Default: 1.00

Settings 0.00–3.00

10-36 AMR (Ki) Gain

Default: 0.20

Settings 0.00–3.00

10-39 Frequency Point to Switch from I/F Mode to PM Sensorless Mode

Default: 20.00

Settings 0.00–599.00 Hz

- 📖 Sets the frequency for the switch point from low frequency to high frequency.
- 📖 Due to the weak back-EMF in the low frequency area, PM sensorless mode cannot estimate the accurate speed and position of the rotor. Thus, using I/F mode control is more suitable. In the medium-to-high frequency area, PM sensorless can accurately estimate the back-EMF, stabilizes and controls the motor with lower current.
- 📖 If the switch point is too low and PM sensorless mode operates at a too low frequency, the motor does not generate enough back-EMF to let the speed estimator measure the right position and speed of the rotor, and causes stall and oc when running at the switch point frequency.
- 📖 If the switch point is too high, the drive easily runs in the frequency area of the I/F mode for a long time, which generates a larger current and cannot save energy. (If the current for Pr.10-31 is too high, the high switch point makes the drive continue to output with the setting value for Pr.10-31.)

10-40 Frequency Point to Switch from PM Sensorless Mode to I/F Mode

Default: 20.00

Settings 0.00–599.00 Hz

- 📖 Sets the switch point from high frequency to low frequency.
- 📖 Due to the weak back-EMF in the low frequency area, PM sensorless mode cannot estimate the accurate speed and position of the rotor. Thus, using I/F mode control is more suitable. In the medium-to-high frequency area, PM sensorless can accurately estimate the back-EMF, stabilizes and controls the motor with lower current.
- 📖 If the switch point is too low and PM sensorless mode operates at a too low frequency, the motor does not generate enough back-EMF to let the speed estimator measure the right position and speed of the rotor, and causes stall and oc when running at the switch point frequency.
- 📖 If the switch point is too high, the drive easily runs in the frequency area of the I/F mode for a long time, which generates more current and cannot save energy. (If the current for Pr.10-31 is too high, the high switch point makes the drive continue to output with the setting value for Pr.10-31.)

10-42 Initial Angle Detection Pulse Value

Default: 1.0

Settings 0.0–3.0

- 📖 The angle detection is fixed to 3: Use the pulse injection method to start. The parameter influences the value of the pulse during the angle detection. The larger the pulse, the higher the accuracy of rotor's position. A larger pulse might cause oc.
- 📖 Increase the parameter when the running direction and the command are opposite during start-up. If oc occurs at start-up, then decrease the parameter.
- 📖 Refer to Section 12-2 Adjustment & Application for detailed motor adjustment procedure.

10-49 Zero Voltage Time during Start-up

Default: 0.000

Settings 0.000–60.000 sec.

- 📖 This parameter is valid only when the setting of Pr.07-12 (Speed Tracking during Start-up) = 0.
- 📖 When the motor is in static state at start-up, this increases the accuracy when estimating angles. In order to put the motor in static state, set the three-phase of the drive output to the motor to 0 V. The Pr.10-49 setting time is the length of time for three-phase output at 0 V.
- 📖 It is possible that even when you apply this parameter, the motor cannot go in to the static state because of inertia or some external force. If the motor does not go into a complete static state in 0.2 seconds, increase this setting value appropriately.
- 📖 If Pr.10-49 is set too high, the start-up time is longer. If it is too low, then the braking performance is weak.

↖ 10-51 Injection Frequency

Default: 500

Settings 0–1200 Hz

- 📖 This parameter is a high frequency injection command in PM SVC control mode, and usually you do not need to adjust it. But if a motor's rated frequency (for example, 400 Hz) is too close to the frequency setting for this parameter (that is, the default of 500 Hz), it affects the accuracy of the angle detection. Refer to the setting for Pr.01-01 before you adjust this parameter.
- 📖 If the setting value for Pr.00-17 is lower than Pr.10-51*10, then increase the frequency of the carrier frequency.
- 📖 Pr.10-51 is valid only when Pr.10-53 = 2.

↖ 10-52 Injection Magnitude

Default: 15.0 / 30.0 / 37.5

Settings 115V / 230V series: 100.0 V

460V series: 200.0 V

575V series: 200.0 V

Note: The setting range varies depending on the voltage.

- 📖 The parameter is the magnitude command for the high frequency injection signal in PM SVC control mode.
- 📖 Increasing the parameter can increase the accuracy of the angle estimation, but the electromagnetic noise might be louder if the setting value is too high.
- 📖 The system uses this parameter when the motor's parameter is "Auto". This parameter influences the angle estimation accuracy.
- 📖 When the ratio of the salient pole (L_q / L_d) is lower, increase Pr.10-52 to make the angle detection accurate.
- 📖 Pr.10-52 is valid only when Pr.10-53 = 2.

↖ 10-53 Angle Detection Method

Default: 0

Settings 0: Disabled

1: Force attracting the rotor to zero degrees

2: High frequency injection

3: Pulse injection

- 📖 Set to 2 for IPM; set to 3 for SPM. If these settings cause problems, then set the parameter to 1.

[This page intentionally left blank]

11 Advanced Parameters

✎ You can set this parameter during operation.

In this parameter group, ASR stands for Adjust Speed Regulator.

11-00 System Control

Default: 0

Settings bit 0: Auto-tuning for ASR and APR
 bit 3: Dead time compensation closed
 bit 7: Save or do not save the frequency

- 📖 bit 0 = 0: Pr.11-06–Pr.11-11 are valid and Pr.11-03–Pr.11-05 are invalid.
- bit 7 = 0: Save the frequency before power is OFF. When power is ON again, the saved frequency is displayed.
- bit 7 = 1: Do not save the frequency before power is OFF. When power is ON again, 0.00 Hz is the displayed frequency.

11-01 Per-Unit of System Inertia

Default: 256

Settings 1–65535 (256 = 1 PU)

- 📖 To get the system inertia per unit from Pr.11-01, you need to set Pr.11-00 to bit1 = 1 and execute continuous forward / reverse running.
- 📖 When Pr.11-01 = 256, it is 1PU. So if you use a 2HP motor, the 2HP motor inertia is 0.00043 kg-cm² according to the table below. If Pr.11-01 = 10000 after tuning, the system inertia is (10000 / 256) x 0.00043 kg-cm².
- 📖 Perform the operation test with load based on the inertia after tuning. Run the motor in acceleration, deceleration, and steady speed and observe the values. If values between speed feedback and speed command are close, steady-state error is small and overshoot is less, then this inertia is a better one.
- 📖 If the Iq current command from ASR has high-frequency glitch, then decrease the setting. If the response time of sudden loading is too slow, then increase the setting.
- 📖 When using torque mode as the control mode, perform the tuning with speed mode first to see if the tuned inertia can work normally. After verifying with speed mode, change the control mode to torque mode.

The following table shows the base value for the induction motor system inertia (Unit: kg-m²)

Power	Setting	Power	Setting
1 HP	0.00023	10 HP	0.00358
2 HP	0.00043	15 HP	0.00743
3 HP	0.00083	20 HP	0.00953
5 HP	0.00148	25 HP	0.01428
7.5 HP	0.0026	30 HP	0.01765

- ↗ **11-02** ASR1 / ASR2 Switch Frequency Default: 7.00

Settings 5.00–599.00 Hz

 - Sets the low-speed and high-speed ASR switching point in the FOC area. Provides flexibility to meet two needs: in the high-speed region of the estimator switch point it has a high response, and in the low-speed region of the estimator switch point it has a lower response. The recommended switching point is higher than Pr.10-39.
 - A low setting does not cover Pr.10-39. If the setting is too high, high-speed range is too narrow.
- ↗ **11-03** ASR1 Low-speed Bandwidth Default: Read only

Settings 1–40 Hz
- ↗ **11-04** ASR2 High-speed Bandwidth Default: Read only

Settings 1–40 Hz
- ↗ **11-05** Zero-speed Bandwidth Default: Read only

Settings 1–40 Hz

 - After estimating the inertia and setting Pr.11-00 bit 0 = 1 (auto-tuning), you can adjust Pr.11-03, 11-04 and 11-05 separately by speed response. The larger the setting value, the faster the response. Pr.11-02 is the switch frequency between the low-speed/high-speed bandwidth.
- ↗ **11-06** ASR 1 Gain Default: 10

Settings 0–40 Hz
- ↗ **11-07** ASR 1 Integral Time Default: 0.100

Settings 0.000–10.000 sec.
- ↗ **11-08** ASR2 Gain Default: 10

Settings 0–40 Hz
- ↗ **11-09** ASR2 Integral Time Default: 0.100

Settings 0.000–10.000 sec.
- ↗ **11-10** ASR Gain of Zero Speed Default: 10

Settings 0–40 Hz

11-11 ASR Integral Time of Zero Speed

Default: 0.100

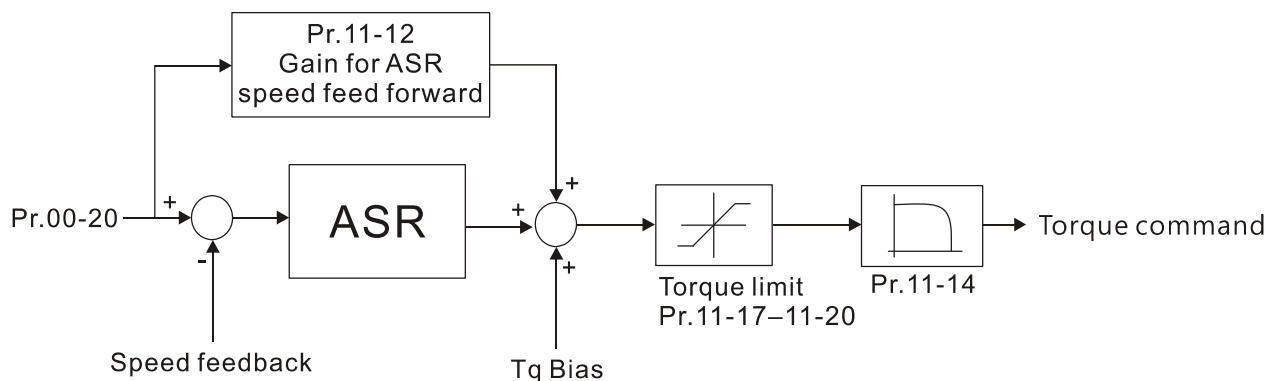
Settings 0.000–10.000 sec.

11-12 Gain for ASR Speed Feed Forward

Default: 0

Settings 0–200%

- 📖 This function enables when Pr.11-00 bit 0 = 1.
- 📖 Increase the setting for Pr.11-12 to reduce the command tracking difference and improve the speed response. Use this function for speed tracking applications.
- 📖 Set Pr.11-01 correctly to get excellent improvement of the speed response.

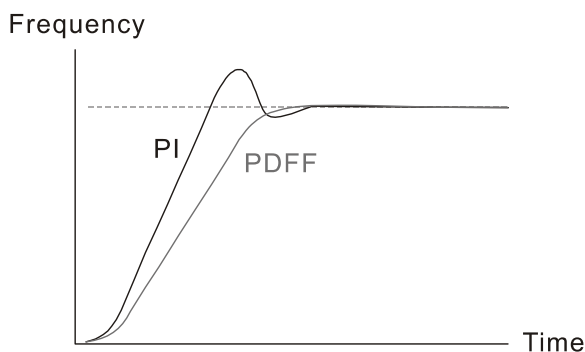


11-13 PDFF Gain Value

Default: 30

Settings 0–200%

- 📖 This parameter is invalid when Pr.05-24 = 1.
- 📖 This parameter is valid only when Pr.11-00 bit0 = 1.
- 📖 After you estimate and set Pr.11-00 bit0=1 (auto-tuning), use Pr.11-13 to reduce overshoot. However, a shift of the curve may occur earlier. In this case, you can set Pr.11-13=0 first, and then increase the setting value to "a condition with best acceleration and without overshoot" when the acceleration time meets your application but overshoot occurs.
- 📖 Increasing Pr.11-13 improves the overshoot of speed tracking, but an excessive value may reduce the transient response.
- 📖 Increasing Pr.11-13 enhances the system stiffness in high-speed steady state and reduces the speed transient fluctuation at a sudden loading.
- 📖 Ensure that you set the Pr.11-01 system inertia correctly to get excellent improvement of the speed response.



↗	11-14	ASR Output Low Pass Filter Time	Default: 0.008
		Settings 0.000–0.350 sec.	
		📖 Sets the ASR command filter time.	
↗	11-15	Notch Filter Depth	Default: 0
		Settings 0–20 db	
↗	11-16	Notch Filter Frequency	Default: 0.00
		Settings 0.00–200.00 Hz	
		📖 Sets the resonance frequency of the mechanical system. Adjust it to a smaller value to suppress the mechanical system resonance.	
		📖 A larger value improves resonance suppression function.	
		📖 The notch filter frequency is the mechanical frequency resonance.	
↗	11-17	Forward Motor Torque Limit	
↗	11-18	Forward Regenerative Torque Limit	
↗	11-19	Reverse Motor Torque Limit	
↗	11-20	Reverse Regenerative Torque Limit	Default: 500
		Settings 0–500%	

📖 FOC PG and FOC Sensorless mode:

The motor rated current = 100%. The settings for Pr.11-17–Pr.11-20 compare with the Pr.03-00=7, 8, 9, 10. The minimum value of the comparison result is the torque limit. The diagram below illustrates the torque limit.

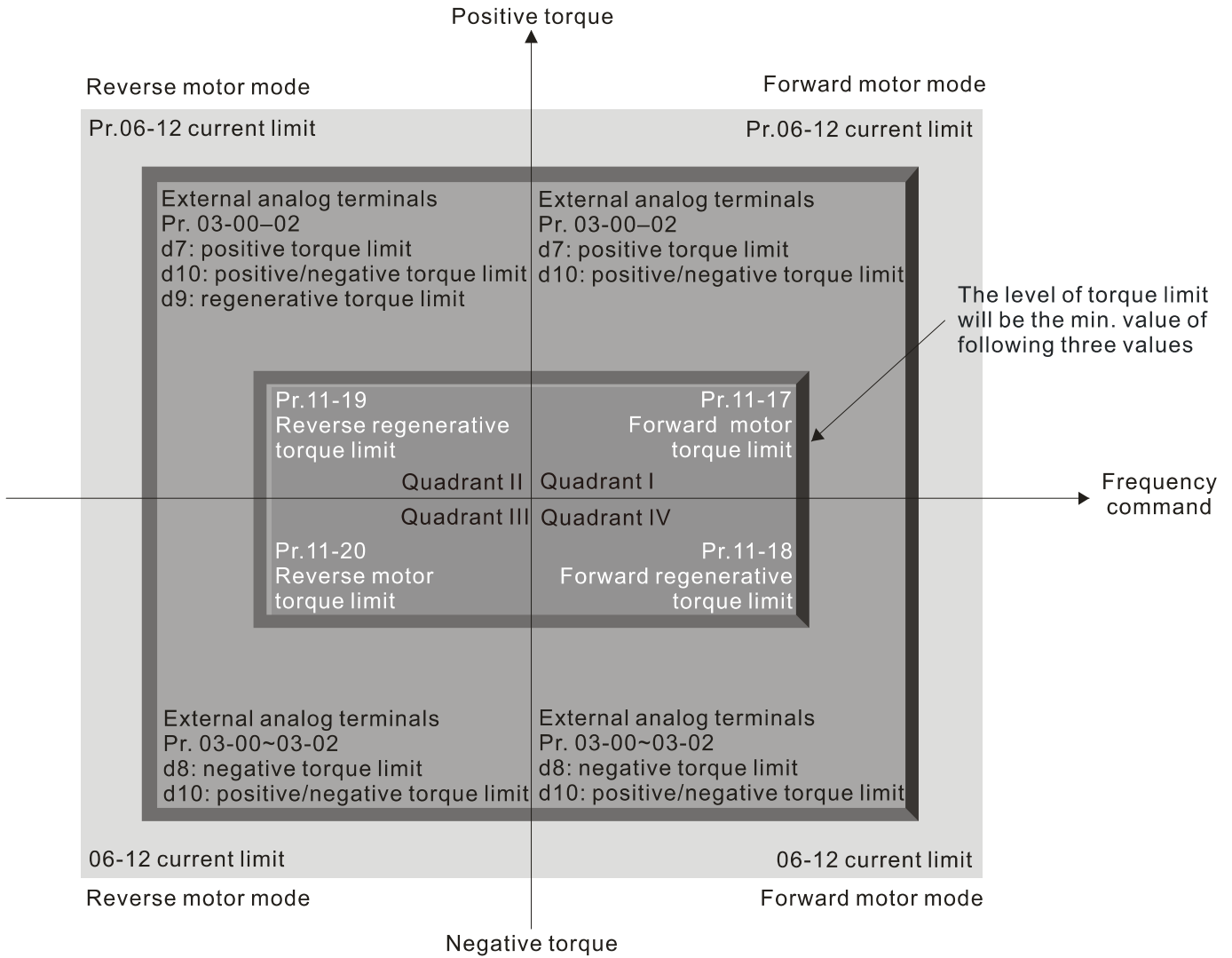
📖 TQCPG and TQC sensorless mode:

The function of Pr.11-17–11-20 is the same as FOC; however, in this case, the torque limit and the torque command executes the output torque limit at the same time. Therefore, the minimum value between Pr.11-17–11-20 and Pr.06-12 becomes the current output torque limit.

📖 Calculation equation for the motor rated torque:

$$\text{Motor rated torque: } T(N.M) = \frac{P(W)}{\omega(rad/s)}$$

$$P(W) \text{ value} = \text{Pr.05-02}; \omega(rad/s) \text{ value} = \text{Pr.05-03}; \frac{RPM \times 2\pi}{60} = rad/s$$



📖 All control modes are based on 100% of the motor rated current except:
 IM: VF, VFPG, SVC
 PM: PMSVC

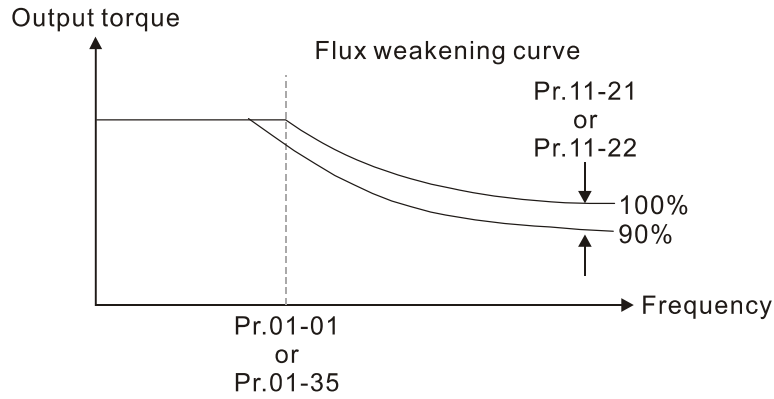
↗ **11-21** Flux Weakening Curve for Motor 1 Gain Value Default: 90

Settings 0–200%

↗ **11-22** Flux Weakening Curve for Motor 2 Gain Value Default: 90

Settings 0–200%

- 📖 Adjusts the output voltage for the flux weakening curve.
- 📖 For the spindle application, use this adjustment method:
 1. Run the motor to the highest frequency.
 2. Observe the output voltage.
 3. Adjust the Pr.11-21 (motor 1) or Pr.11-22 (motor 2) setting to make the output voltage reach the motor rated voltage.
 4. The larger the setting value, the greater the output voltage.



11-23 Flux Weakening Area Speed Response

Default: 65

Settings 0–150%

Controls the speed in the flux weakening area. The larger the value, the faster the acceleration/deceleration. In normal condition, you do not need to adjust this parameter.

11-27 Maximum Torque Command

Default: 100

Settings 0–500%

Determines the upper limit of the torque command (motor rated torque is 100%).

Calculation equation for the motor rated torque:

$$\text{Motor rated torque: } T(N.M) = \frac{P(W)}{\omega(rad/s)}$$

$$P(W) \text{ value} = \text{Pr.05-02}; \omega(rad/s) \text{ value} = \text{Pr.05-03}; \frac{RPM \times 2\pi}{60} = rad/s$$

11-28 Torque Offset Source

Default: 0

Settings 0: Disable

1: Analog signal input

2: RS-485 communication (Pr.11-29)

3: Controlled through external terminals (by Pr.11-30–Pr.11-32)

Specifies the torque offset source.

When set to 3, the torque offset sources are Pr.11-30, Pr.11-31 or Pr.11-32 according to the multi-function input terminal settings 31, 32 or 33.

Normally open (N.O.) contact: ON = contact closed, OFF = contact open

Pr.11-32 MI = 33 (Low)	Pr.11-31 MI = 32 (Mid)	Pr.11-30 MI = 31 (High)	Torque Offset
OFF	OFF	OFF	None
OFF	OFF	ON	Pr.11-30
OFF	ON	OFF	Pr.11-31
OFF	ON	ON	Pr.11-30 + Pr.11-31
ON	OFF	OFF	Pr.11-32

Pr.11-32	Pr.11-31	Pr.11-30	Torque Offset
MI = 33 (Low)	MI = 32 (Mid)	MI = 31 (High)	
ON	OFF	ON	Pr.11-30 + Pr.11-32
ON	ON	OFF	Pr.11-31 + Pr.11-32
ON	ON	ON	Pr.11-30 + Pr.11-31 + Pr.11-32

11-29 Torque Offset Setting

Default: 0.0

Settings -100.0–100.0 %

📖 Determines the torque offset command. The motor rated torque is 100%.

📖 The calculation equation for the motor rated torque:

$$\text{Motor rated torque: } T(N.M) = \frac{P(W)}{\omega(rad/s)};$$

$$P(W) \text{ value} = \text{Pr.05-02}; \omega(rad/s) \text{ value} = \text{Pr.05-03}; \frac{RPM \times 2\pi}{60} = rad/s$$

11-30 High Torque Offset

Default: 30.0

Settings -100.0–100.0 %

11-31 Middle Torque Offset

Default: 20.0

Settings -100.0–100.0 %

11-32 Low Torque Offset

Default: 10.0

Settings -100.0–100.0 %

📖 When Pr.11-28 is set to 3, the torque offset sources are Pr.11-30, Pr.11-31 or Pr.11-32 according to the multi-function input terminals settings 31, 32 or 33. The motor rated torque is 100%.

📖 The calculation equation for the motor rated torque:

$$\text{Motor rated torque: } T(N.M) = \frac{P(W)}{\omega(rad/s)};$$

$$P(W) \text{ value} = \text{Pr.05-02}; \omega(rad/s) \text{ value} = \text{Pr.05-03}; \frac{RPM \times 2\pi}{60} = rad/s$$

11-33 Torque Command Source

Default: 0

Settings 0: Digital keypad
 1: RS-485 communication (Pr.11-34)
 2: Analog signal input (Pr.03-00)
 3: CANopen
 5: Communication Card

📖 When Pr.11-33 is set to 0 or 1, you can set the torque command in Pr.11-34.

📖 When Pr.11-33 is set to 2, 3 or 5, Pr.11-34 only displays the torque command.

11-34 Torque Command

Default: 0.0

Settings -100.0–100.0%

- 📖 This parameter sets the torque command. When Pr.11-27 is 250% and Pr.11-34 is 100%, the actual torque command = $250 \times 100\% = 250\%$ of the motor rated torque.
- 📖 The drive saves the settings before power is OFF.

11-35 Torque Command Filter Time

Default: 0.000

Settings 0.000–1.000 sec.

- 📖 When the setting is too long, the control is stable but the control response is delayed. When the setting is too short, the response is quick but the control may be unstable. Adjust the setting according to your control and response situation.

11-36 Speed Limit Selection

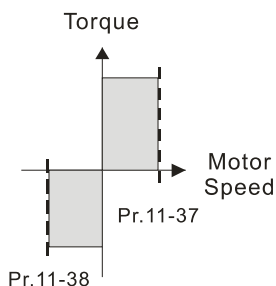
Default: 0

Settings 0: Set by Pr.11-37 (Forward Speed Limit) and Pr.11-38 (Reverse Speed Limit)
 1: Set by Pr.00-20 (Master Frequency Command (AUTO, REMOTE) Source) and Pr.11-37, Pr.11-38
 2: Set by Pr.00-20 (Master Frequency Command (AUTO, REMOTE) Source)

- 📖 Speed limit function: when you use the torque control mode, if the torque command is greater than the load, the motor accelerates until the motor speed equals the speed limit. At this time, it switches to speed control mode to stop acceleration.
- 📖 Pr.11-36 = 1:
 - When the torque command is positive, the forward speed limit is Pr.00-20 and the reverse speed limit is Pr.11-38. When the torque command is negative, the forward speed limit is Pr.11-37 and the reverse speed limit is Pr.00-20.
 - Example:
 In an unwinding application, if the torque command direction is different from the motor operating direction, the load drives the motor. In this case, the speed limit must be Pr.11-37 or Pr.11-38. Only in normal applications, that is when the motor drives the load and the torque command is in the same direction as the speed limit, you can set the speed limit according to Pr.00-20.
- 📖 In torque control mode, the F page of keypad displays the present speed limit value. For details on the keypad display, refer to the LED Function Description in Section 7-14 Digital Keypad (optional).

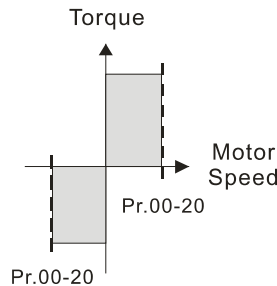
Pr.11-36=0

Forward/reverse running speed are limited by Pr.11-37 and Pr.11-38



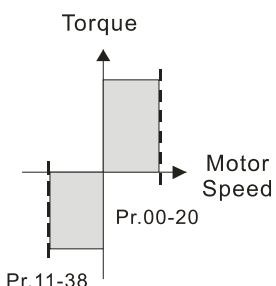
Pr.11-36=2

Forward/reverse running speed are limited by Pr.00-20



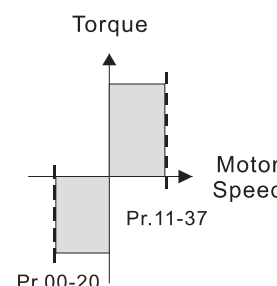
Pr.11-36=1

When torque is positive, forward running speed is limited by Pr.00-20; reverse running speed is limited by Pr.11-38



Pr.11-36=1

When torque is negative, forward running speed is limited by Pr.11-37; reverse running speed is limited by Pr.00-20



11-37 Forward Speed Limit (Torque Mode)

Default: 10

Settings 0–120%

11-38 Reverse Speed Limit (Torque Mode)

Default: 10

Settings 0–120%

Limits the speed for forward and reverse running in torque mode (Pr.01-00 Maximum Operation Frequency = 100%).

11-41 PWM Mode Selection

Default: 2

Settings 0: Two-phase modulation mode
2: Space vector modulation mode

- Two-phase modulation mode: effectively reduces the drive power component losses and provides better performance in long wiring applications.
- Space vector modulation mode: effectively reduces the power loss and electromagnetic noise of the motor.

✎ **11-42** System Control Flag

Default: 0000

Settings 0000–FFFFh

bit No.	Function	Description
0	Reserved	
1	FWD / REV action control	0: FWD / REV cannot be controlled by Pr.02-12 bit 0 & 1. 1: FWD / REV can be controlled by Pr.02-12 bit 0 & 1.


13 Macro / User-Defined Macro


✎ You can set this parameter during operation.

13-00 Industry-specific Parameter Application

Default: 00

- Settings
- 00: Disabled
 - 01: User-defined parameter
 - 02: Compressor
 - 03: Fan
 - 04: Pump
 - 05: Conveyor
 - 06: Machine tool
 - 07: Packing
 - 08: Textiles
 - 10: Logistics
 - 11: Tension PID
 - 12: Tension PID + master / auxiliary frequency

 Note: after you select the macro, some of the default values adjust automatically according to the application selection.

 Setting 02: Compressor

The following table lists the relevant compressor setting application parameters.

Pr.	Parameter Name	Settings
00-11	Speed control mode	0 (IMVF control mode)
00-16	Load selection	0 (Normal load)
00-17	Carrier frequency	Default setting
00-20	Master frequency command source (AUTO, REMOTE)	2 (External analog input)
00-21	Operation command source (AUTO, REMOTE)	1 (External terminals)
00-22	Stop method	0 (Ramp to stop)
00-23	Motor direction control	1 (Disable reverse)
01-00	Maximum operation frequency	Default setting
01-01	Output frequency of motor 1 (Base frequency / Motor's rated frequency)	Default setting
01-02	Output voltage of motor 1 (Base voltage / Motor's rated voltage)	Default setting
01-03	Mid-point frequency 1 of motor 1	Default setting
01-04	Mid-point voltage 1 of motor 1	Default setting
01-05	Mid-point frequency 2 of motor 1	Default setting
01-06	Mid-point voltage 2 of motor 1	Default setting
01-07	Minimum output frequency of motor 1	Default setting
01-08	Minimum output voltage of motor 1	Default setting

Pr.	Parameter Name	Settings
01-11	Output frequency lower limit	20 (Hz)
01-12	Acceleration time 1	20 (sec.)
01-13	Deceleration time 1	20 (sec.)
03-00	Analog input selection (AVI)	0 (No function)
03-01	Analog input selection (ACI)	1 (Frequency command)
05-01	Full-load current for induction motor 1 (A)	Default setting
05-03	Rated speed for induction motor 1 (rpm)	Default setting
05-04	Number of poles for induction motor 1	Default setting

Setting 03: Fan

The following table lists the relevant fan setting application parameters.

Pr.	Parameter Name	Settings
00-11	Speed control mode	0 (IMVF)
00-16	Load selection	0 (Normal load)
00-17	Carrier frequency	Default setting
00-20	Master frequency command source (AUTO, REMOTE)	2 (External analog input)
00-21	Operation command source (AUTO, REMOTE)	1 (External terminals)
00-22	Stop method	1 (Coast to stop)
00-23	Motor direction control	1 (Disable reverse)
00-30	Master frequency command source (HAND, LOCAL)	0 (Digital keypad)
00-31	Operation command source (HAND, LOCAL)	0 (Digital keypad)
01-00	Maximum operation frequency	Default setting
01-01	Output frequency of motor 1 (Base frequency / Motor's rated frequency)	Default setting
01-02	Output voltage of motor 1 (Base voltage / Motor's rated voltage)	Default setting
01-03	Mid-point frequency 1 of motor 1	Default setting
01-04	Mid-point voltage 1 of motor 1	Default setting
01-05	Mid-point frequency 2 of motor 1	Default setting
01-06	Mid-point voltage 2 of motor 1	Default setting
01-07	Minimum output frequency of motor 1	Default setting
01-08	Minimum output voltage of motor 1	Default setting
01-10	Output frequency upper limit	50 (Hz)
01-11	Output frequency lower limit	35 (Hz)
01-12	Acceleration time 1	15 (sec.)
01-13	Deceleration time 1	15 (sec.)


Pr.	Parameter Name	Settings
01-43	V/F curve selection	2 (V/F curve to the power of 2)
02-05	Multi-function input command 5 (MI5)	16 (Rotating speed command from ACI)
02-16	Multi-function output 2 (MO1)	11 (Malfunction indication)
02-17	Multi-function output 3 (MO2)	1 (Indication during RUN)
03-00	Analog input selection (AVI)	1 (Frequency command)
03-01	Analog input selection (ACI)	1 (Frequency command)
03-28	AVI terminal input selection	0 (0–10 V)
03-29	ACI terminal input selection	1 (0–10 V)
03-31	AFM output selection	0 (0–10 V)
03-50	Analog input curve selection	1 (three-point curve of AVI)
07-06	Restart after momentary power loss	2 (Speed tracking by the minimum output frequency)
07-11	Number of times of restart after fault	5 (times)
07-33	Auto-restart interval of fault	60 (sec.)

Setting 04: Pump

The following table lists the relevant pump setting application parameters.


Pr.	Parameter Name	Settings
00-11	Speed control mode	0 (IMVF)
00-16	Load selection	0 (Normal load)
00-20	Master frequency command source (AUTO, REMOTE)	2 (External analog input)
00-21	Operation command source (AUTO, REMOTE)	1 (External terminals)
00-23	Motor direction control	1 (Disable reverse)
01-00	Maximum operation frequency	Default setting
01-01	Output frequency of motor 1 (Base frequency / Motor's rated frequency)	Default setting
01-02	Output voltage of motor 1 (Base voltage / Motor's rated voltage)	Default setting
01-03	Mid-point frequency 1 of motor 1	Default setting
01-04	Mid-point voltage 1 of motor 1	Default setting
01-05	Mid-point frequency 2 of motor 1	Default setting
01-06	Mid-point voltage 2 of motor 1	Default setting
01-07	Minimum output frequency of motor 1	Default setting
01-08	Minimum output voltage of motor 1	Default setting
01-10	Output frequency upper limit	50 (Hz)
01-11	Output frequency lower limit	35 (Hz)
01-12	Acceleration time 1	15 (sec.)
01-13	Deceleration time 1	15 (sec.)

Pr.	Parameter Name	Settings
01-43	V/F curve selection	2 (V/F curve to the power of 2)
07-06	Restart after momentary power loss	2 (Speed tracking by the minimum output frequency)
07-11	Number of times of restart after fault	5 (times)
07-33	Auto-restart interval of fault	60 (sec.)

 Setting 05: Conveyor

The following table lists the relevant conveyor setting application parameters.

Pr.	Parameter Name	Settings
00-11	Speed control mode	0 (IMVF)
00-16	Load selection	0 (Normal load)
00-20	Master frequency command source (AUTO, REMOTE)	2 (External analog input)
00-21	Operation command source (AUTO, REMOTE)	1 (External terminals)
01-00	Maximum operation frequency	Default setting
01-01	Output frequency of motor 1 (Base frequency / Motor's rated frequency)	Default setting
01-02	Output voltage of motor 1 (Base voltage / Motor's rated voltage)	Default setting
01-03	Mid-point frequency 1 of motor 1	Default setting
01-04	Mid-point voltage 1 of motor 1	Default setting
01-05	Mid-point frequency 2 of motor 1	Default setting
01-06	Mid-point voltage 2 of motor 1	Default setting
01-07	Minimum output frequency of motor 1	Default setting
01-08	Minimum output voltage of motor 1	Default setting
01-12	Acceleration time 1	10 (sec.)
01-13	Deceleration time 1	10 (sec.)

 Setting 06: Machine tool

The following table lists the relevant machine tool setting application parameters.

Pr.	Parameter Name	Settings
00-11	Speed control mode	0 (IMVF)
00-17	Carrier frequency	Default setting
00-20	Master frequency command source (AUTO, REMOTE)	2 (External analog input)
00-21	Operation command source (AUTO, REMOTE)	1 (External terminals)
01-00	Maximum operation frequency	Default setting
01-01	Output frequency of motor 1 (Base frequency / Motor's rated frequency)	Default setting

Pr.	Parameter Name	Settings
01-02	Output voltage of motor 1 (Base voltage / Motor's rated voltage)	Default setting
01-03	Mid-point frequency 1 of motor 1	0
01-04	Mid-point voltage 1 of motor 1	0
01-05	Mid-point frequency 2 of motor 1	0
01-06	Mid-point voltage 2 of motor 1	0
01-07	Minimum output frequency of motor 1	Default setting
01-08	Minimum output voltage of motor 1	Default setting
01-12	Acceleration time 1	5 (sec.)
01-13	Deceleration time 1	5 (sec.)
01-24	S-curve for acceleration begin time 1	0
01-25	S-curve for acceleration arrival time 2	0
01-26	S-curve for deceleration begin time 1	0
01-27	S-curve for deceleration arrival time 2	0
02-03	Multi-function input command 3 (MI3)	1 (Multi-step speed command 1)
02-04	Multi-function input command 4 (MI4)	2 (Multi-step speed command 2)
02-13	Multi-function output 1 (RY1)	11 (Malfunction indication)
02-16	Multi-function output 2 (MO1)	1 (Indication during RUN)
02-17	Multi-function output 3 (MO2)	2 (Operation speed reached)
03-00	Analog input selection (AVI)	1 (Frequency command)
06-01	Over-voltage stall prevention	0 (Disabled)
06-03	Over-current stall prevention during acceleration	0 (Disabled)
06-04	Over-current stall prevention during operation	0 (Disabled)
06-05	Acceleration / deceleration time selection for stall prevention at constant speed	0 (By current acceleration / deceleration time)
07-01	DC brake current level	20 (%)
07-03	DC brake time at STOP	0.3 (sec.)
07-04	DC brake frequency at STOP	0 (Hz)
07-23	Automatic voltage regulation (AVR) function	1 (Disable AVR)

Setting 07: Packing

The following table lists the relevant packing setting application parameters.

Pr.	Parameter Name	Settings
00-11	Speed control mode	0 (IMVF)
00-20	Master frequency command source (AUTO, REMOTE)	0 (Digital keypad)
00-21	Operation command source (AUTO, REMOTE)	2 (RS-485 communication input)

Pr.	Parameter Name	Settings
02-00	Two-wire / three-wire operation control	1 (two-wire mode 1, power on for operation control (M1: FWD / STOP, M2: REV / STOP))
01-00	Maximum operation frequency	Default setting
01-01	Output frequency of motor 1 (Base frequency / Motor's rated frequency)	Default setting
01-02	Output voltage of motor 1 (Base voltage / Motor's rated voltage)	Default setting
01-03	Mid-point frequency 1 of motor 1	Default setting
01-04	Mid-point voltage 1 of motor 1	Default setting
01-05	Mid-point frequency 2 of motor 1	Default setting
01-06	Mid-point voltage 2 of motor 1	Default setting
01-07	Minimum output frequency of motor 1	Default setting
01-08	Minimum output voltage of motor 1	Default setting
01-12	Acceleration time 1	10 (sec.)
01-13	Deceleration time 1	10 (sec.)
01-24	S-curve for acceleration begin time 1	Default setting
01-25	S-curve for acceleration arrival time 2	Default setting
01-26	S-curve for deceleration begin time 1	Default setting
01-27	S-curve for deceleration arrival time 2	Default setting
03-00	Analog input selection (AVI)	1 (Frequency command)
03-28	AVI terminal input selection	Default setting

Setting 08: Textiles

The following table lists the relevant textile setting application parameters.

Pr.	Parameter Name	Settings
00-11	Speed control mode	0 (IMVF)
00-20	Master frequency command source (AUTO, REMOTE)	1 (RS-485 communication input)
00-21	Operation command source (AUTO, REMOTE)	1 (External terminals)
01-00	Maximum operation frequency	Default setting
01-01	Output frequency of motor 1 (Base frequency / Motor's rated frequency)	Default setting
01-02	Output voltage of motor 1 (Base voltage / Motor's rated voltage)	Default setting
01-03	Mid-point frequency 1 of motor 1	Default setting
01-04	Mid-point voltage 1 of motor 1	Default setting
01-05	Mid-point frequency 2 of motor 1	Default setting
01-06	Mid-point voltage 2 of motor 1	Default setting

Pr.	Parameter Name	Settings
01-07	Minimum output frequency of motor 1	Default setting
01-08	Minimum output voltage of motor 1	Default setting
01-12	Acceleration time 1	10 (sec.)
01-13	Deceleration time 1	10 (sec.)
01-24	S-curve for acceleration begin time 1	0.2 (sec.)
01-25	S-curve for acceleration arrival time 2	0.2 (sec.)
01-26	S-curve for deceleration begin time 1	0.2 (sec.)
01-27	S-curve for deceleration arrival time 2	0.2 (sec.)
06-03	Over-current stall prevention during acceleration	180 (%)
06-04	Over-current stall prevention during operation	180 (%)
06-07	Over-torque detection level (motor 1)	200 (%)
07-19	Fan cooling control	2 (Fan is ON when the AC motor drive runs; fan is OFF when the AC motor drive stops)

Setting 10: Logistics

The following table lists the relevant logistics setting application parameters.


Pr.	Parameter Name	Settings
00-20	Master frequency command source (AUTO, REMOTE)	7 (Digital keypad potentiometer knob)
00-21	Operation command source (AUTO, REMOTE)	1 (External terminals)
01-00	Maximum operation frequency	Default setting
01-01	Output frequency of motor 1 (Base frequency / Motor's rated frequency)	Default setting
01-02	Output voltage of motor 1 (Base voltage / Motor's rated voltage)	400.0
01-04	Mid-point voltage 1 of motor 1	20.0
01-06	Mid-point voltage 2 of motor 1	20.0
01-08	Minimum output voltage of motor 1	20.0
01-03	Mid-point frequency 1 of motor 1	1.50
01-07	Minimum output frequency of motor 1	1.50
01-12	Acceleration time 1	3 (sec.)
01-13	Deceleration time 1	3 (sec.)
01-24	S-curve for acceleration begin time 1	0.00
01-25	S-curve for acceleration arrival time 2	0.00
01-26	S-curve for deceleration begin time 1	0.00
01-27	S-curve for deceleration arrival time 2	0.00

Pr.	Parameter Name	Settings
06-03	Over-current stall prevention during acceleration	200
06-04	Over-current stall prevention during operation	200
06-05	Acceleration / deceleration time selection for stall prevention at constant speed	2: By the second acceleration / deceleration time
07-23	Automatic voltage regulation (AVR) function	1: Disable AVR
07-26	Torque compensation gain	0

Setting 11: Tension PID

The following table lists the relevant tension PID setting application parameters.

Pr.	Parameter Name	Settings
00-20	Master frequency command source (AUTO, REMOTE)	9 (PID controller)
00-21	Operation command source (AUTO, REMOTE)	1 (External terminals)
01-00	Maximum operation frequency	Default setting
01-12	Acceleration time 1	3 (sec.)
01-13	Deceleration time 1	3 (sec.)
03-00	Analog input selection (AVI)	5 (PID feedback signal)
03-50	Analog input curve selection	1: Three-point curve of AVI
03-63	AVI voltage lowest point	0.00
03-65	AVI voltage mid-point	9.99
03-66	AVI proportional mid-point	100%
08-00	Terminal selection of PID feedback	1: Negative PID feedback: by analog input (Pr.03-00, Pr.03-01)
08-01	Proportional gain (P)	10
08-02	Integral time (I)	1
08-20	PID mode selection	1: Parallel connection
08-21	Enable PID to change the operation direction	0: Operation direction cannot be changed
08-65	PID target value source	1: Pr.08-66 setting
08-66	PID target value setting	50%

 Setting 12: Tension PID + master / auxiliary frequency

The following table lists the relevant tension PID + master / auxiliary frequency setting application parameters.

Pr.	Parameter Name	Settings
00-20	Master frequency command source (AUTO, REMOTE)	9 (PID controller)
00-21	Operation command source (AUTO, REMOTE)	1 (External terminals)
01-00	Maximum operation frequency	Default setting
01-12	Acceleration time 1	3 (sec.)
01-13	Deceleration time 1	3 (sec.)
00-35	Auxiliary frequency source	3: Analog input
03-00	Analog input selection (AVI)	5 (PID feedback signal)
03-01	Analog input selection (ACI)	12: Auxiliary frequency input
03-10	Reverse setting when analog signal input is negative frequency	0: Negative frequency input is not allowed. The digital keypad or external terminal controls the forward and reverse direction.
03-12	Analog input gain (ACI)	100.0%
03-29	ACI terminal input selection	1: 0–10 V
03-50	Analog input curve selection	1: Three-point curve of AVI
03-63	AVI voltage lowest point	0.00
03-65	AVI voltage mid-point	9.99
03-66	AVI proportional mid-point	100%
08-00	Terminal selection of PID feedback	1: Negative PID feedback: by analog input (Pr.03-00, Pr.03-01)
08-01	Proportional gain (P)	10
08-02	Integral time (I)	1
08-20	PID mode selection	1: Parallel connection
08-21	Enable PID to change the operation direction	0: Operation direction cannot be changed
08-65	PID target value source	1: Pr.08-66 setting
08-66	PID target value setting	50%
08-67	Master and auxiliary reverse running cutoff frequency	10%

13-01



-

Application Parameters (User-Defined)

13-50

[This page intentionally left blank]

14 Protection Parameters (2)

✎ You can set this parameter during operation.

14-50	Output Frequency at Malfunction 2
14-54	Output Frequency at Malfunction 3
14-58	Output Frequency at Malfunction 4
14-62	Output Frequency at Malfunction 5
14-66	Output Frequency at Malfunction 6

Default: Read only

Settings 0.00–599.00 Hz

📖 When an error occurs, you can check the output frequency for the malfunction. If the error happens again, this parameter overwrites the previous record.

14-51	DC bus Voltage at Malfunction 2
14-55	DC bus Voltage at Malfunction 3
14-59	DC bus Voltage at Malfunction 4
14-63	DC bus Voltage at Malfunction 5
14-67	DC bus Voltage at Malfunction 6

Default: Read only

Settings 0.0–6553.5 V

📖 When an error occurs, you can check the DC bus voltage for the malfunction. If the error happens again, this parameter overwrites the previous record.

14-52	Output Current at Malfunction 2
14-56	Output Current at Malfunction 3
14-60	Output Current at Malfunction 4
14-64	Output Current at Malfunction 5
14-68	Output Current at Malfunction 6

Default: Read only

Settings 0.00–655.35 Amps

📖 When an error occurs, you can check the output current for the malfunction. If the error happens again, this parameter overwrites the previous record.

14-53	IGBT Temperature at Malfunction 2
14-57	IGBT Temperature at Malfunction 3
14-61	IGBT Temperature at Malfunction 4
14-65	IGBT Temperature at Malfunction 5
14-69	IGBT Temperature at Malfunction 6

Default: Read only

Settings -3276.7–3276.7 °C

📖 When an error occurs, you can check the IGBT temperature for the malfunction. If the error happens again, this parameter overwrites the previous record.

14-70	Fault Record 7
14-71	Fault Record 8
14-72	Fault Record 9
14-73	Fault Record 10




Default: 0

Settings

- 0: No fault record
- 1: Over-current during acceleration (ocA)
- 2: Over-current during deceleration (ocd)
- 3: Over-current during steady operation (ocn)
- 4: Ground fault (GFF)
- 6: Over-current at STOP (ocS)
- 7: Over-voltage during acceleration (ovA)
- 8: Over-voltage during deceleration (ovd)
- 9: Over-voltage during constant speed (ovn)
- 10: Over-voltage at stop (ovS)
- 11: Low-voltage during acceleration (LvA)
- 12: Low-voltage during deceleration (Lvd)
- 13: Low-voltage during constant speed (Lvn)
- 14: Low-voltage at stop (LvS)
- 15: Phase loss protection (orP)
- 16: IGBT overheating (oH1)
- 18: IGBT temperature detection failure (tH1o)
- 21: Over load (oL)
- 22: Electronics thermal relay 1 protection (EoL1)
- 23: Electronics thermal relay 2 protection (EoL2)
- 24: Motor PTC overheating (oH3)
- 26: Over-torque 1 (ot1)
- 27: Over-torque 2 (ot2)
- 28: Under current (uC)
- 31: EEPROM read error (cF2)
- 33: U-phase error (cd1)
- 34: V-phase error (cd2)
- 35: W-phase error (cd3)
- 36: cc (current clamp) hardware error (Hd0)
- 37: oc (over-current) hardware error (Hd1)
- 40: Auto-tuning error (AUE)
- 41: PID loss ACI (AFE)
- 43: PG feedback loss (PGF2)
- 44: PG feedback stall (PGF3)
- 45: PG slip error (PGF4)

- 48: ACI loss (ACE)
- 49: External fault (EF)
- 50: Emergency stop (EF1)
- 51: External Base Block (bb)
- 52: Password is locked (Pcod)
- 54: Illegal command (CE1)
- 55: Illegal data address (CE2)
- 56: Illegal data value (CE3)
- 57: Data is written to read-only address (CE4)
- 58: Modbus transmission time-out (CE10)
- 61: Y-connection / Δ -connection switch error (ydc)
- 62: Deceleration energy backup error (dEb)
- 63: Over slip error (oSL)
- 72: STO Loss (STL1)
- 76: STO (STo)
- 77: STO Loss 2 (STL2)
- 78: STO Loss 3 (STL3)
- 79: U-phase over-current before run (Aoc)
- 80: V-phase over-current before run (boc)
- 81: W-phase over-current before run (coc)
- 82: Output phase loss U phase (oPL1)
- 83: Output phase loss V phase (oPL2)
- 84: Output phase loss W phase (oPL3)
- 87: Low frequency overload protection (oL3)
- 89: Rotor position detection error (roPd)
- 101: CANopen guarding error (CGdE)
- 102: CANopen heartbeat error (CHbE)
- 104: CANopen bus off error (CbFE)
- 105: CANopen index error (CidE)
- 106: CANopen station address error (CAdE)
- 107: CANopen memory error (CFrE)
- 111: InrCOM time-out error (ictE)
- 121: Internal communication error (CP20)
- 123: Internal communication error (CP22)
- 124: Internal communication error (CP30)
- 126: Internal communication error (CP32)
- 127: Internal communication error (CP33)
- 128: Over-torque 3 (ot3)
- 129: Over-torque 4 (ot4)
- 134: Internal communication error (EoL3)
- 135: Internal communication error (EoL4)
- 140: Oc hardware error (Hd6)



- 141: GFF occurs before run (b4GFF)
- 142: Auto-tune error 1 (DC test stage) (AuE1)
- 143: Auto-tune error 2 (High frequency test stage) (AuE2)
- 144: Auto-tune error 3 (Rotary test stage) (AuE3)

-  The parameters record when the fault occurs and forces a stop.
-  When low-voltage at stop fault (LvS) occurs, the fault is not recorded. When low-voltage during operation faults (LvA, Lvd, Lvn) occur, the faults are recorded.
-  When the dEb function is valid and enabled, the drive executes dEb and records fault code 62 to Pr.06-17-06-22 and Pr.14-70-14-73 simultaneously.

↗	14-74	Over-torque Detection Selection (Motor 3)
↗	14-77	Over-torque Detection Selection (Motor 4)

Default: 0

- Settings
- 0: No function
 - 1: Continue operation after over-torque detection during constant speed operation
 - 2: Stop after over-torque detection during constant speed operation
 - 3: Continue operation after over-torque detection during RUN
 - 4: Stop after over-torque detection during RUN

-  When you set Pr.14-74 and Pr.14-77 to 1 or 3, a warning message displays but there is no error record.
-  When you set Pr.14-74 and Pr.14-77 to 2 or 4, an error message displays and there is an error record.

↗	14-75	Over-torque Detection Level (Motor 3)
↗	14-78	Over-torque Detection Level (Motor 4)



Default: 120

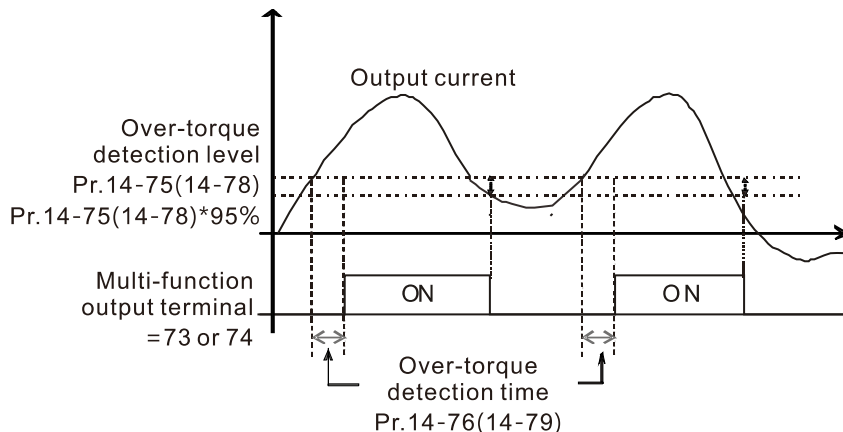
- Settings 10–250% (100% corresponds to the rated current of the drive)

↗	14-76	Over-torque Detection Time (Motor 3)
↗	14-79	Over-torque Detection Time (Motor 4)

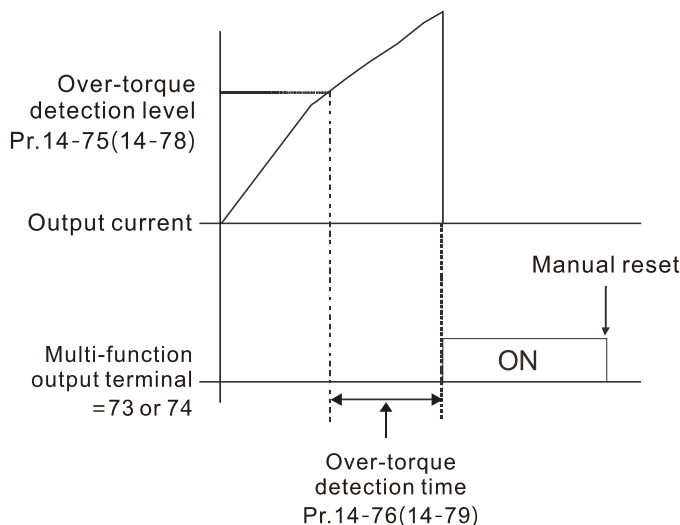
Default: 0.1

- Settings 0.1–60.0 sec.

-  When the output current exceeds the over-torque detection level (Pr.14-75 or Pr.14-78) and also exceeds the over-torque detection time (Pr.14-76 or Pr.14-79), the over-torque detection follows the setting of Pr.14-74 or Pr.14-77.
-  When you set Pr.14-74 or Pr.14-77 to 1 or 3, an ot3/ot4 warning displays while the drive keeps running after over-torque detection. The warning remains on until the output current is smaller than 5% of the over-torque detection level.



When you set Pr.14-74 or Pr.14-77 to 2 or 4, an ot3/ot4 warning displays and the drive stops running after over-torque detection. The drive does not run until you manually reset it.



↗	14-80	Electronic Thermal Relay Selection 3 (Motor 3)
↗	14-82	Electronic Thermal Relay Selection 4 (Motor 4)

Default: 2

- Settings 0: Inverter motor (with external forced cooling)
- 1: Standard motor (motor with the fan on the shaft)
- 2: Disable

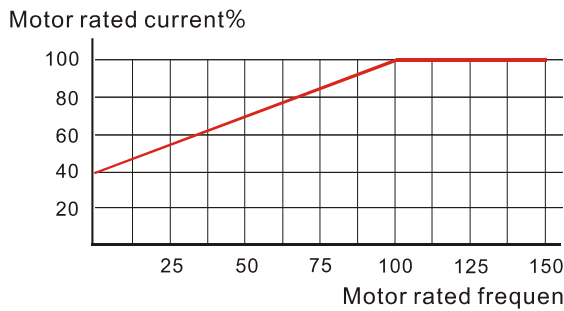
- Prevents self-cooled motor from overheating under low speed. Use an electronic thermal relay to limit the drive’s output power.
- Setting the parameter to 0 is suitable for an inverter motor (motor fan using an independent power supply). For this kind of motor, there is no significant correlation between cooling capacity and motor speed. Therefore, the action of electronic thermal relays remains stable in low speed to ensure the load capability of the motor in low speed.
- Setting the parameter to 1 is suitable for standard motor (motor fan is fixed on the rotor shaft). For this kind of motor, the cooling capacity is lower in low speed; therefore, the action of an electronic thermal relay reduces the action time to ensure the life of motor.
- When the power is cycled frequently, if the power is switched OFF, the electronic thermal relay protection is reset; therefore, even setting the parameter to 0 or 1 may not protect the motor well. If there are several motors connected to one drive, install an electronic thermal relay in each motor.

↗	14-81	Electronic Thermal Relay Action Time 3 (Motor 3)
↗	14-83	Electronic Thermal Relay Action Time 4 (Motor 4)

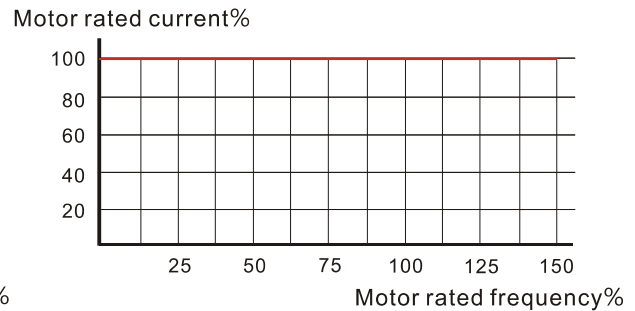
Default: 60.0

Settings 30.0–600.0 sec.

- 📖 Set the parameter to 150% of motor rated current and use with the setting of Pr.14-81 and Pr.14-83 to prevent motor damage due to overheating. When it reaches the setting, the drive displays “EoL3 / EoL4”, and the motor coasts to stop.
- 📖 Use this parameter to set the action time of the electronic thermal relay. It works based on the I²t characteristic curve of electronic thermal relay, the output frequency and current of the drive, and the operation time to prevent the motor from overheating.



Motor cooling curve with shaft-fixed fan



Motor cooling curve with independent fan

📖 The action of the electronic thermal relay depends on the settings for Pr.14-80 and Pr.14-82

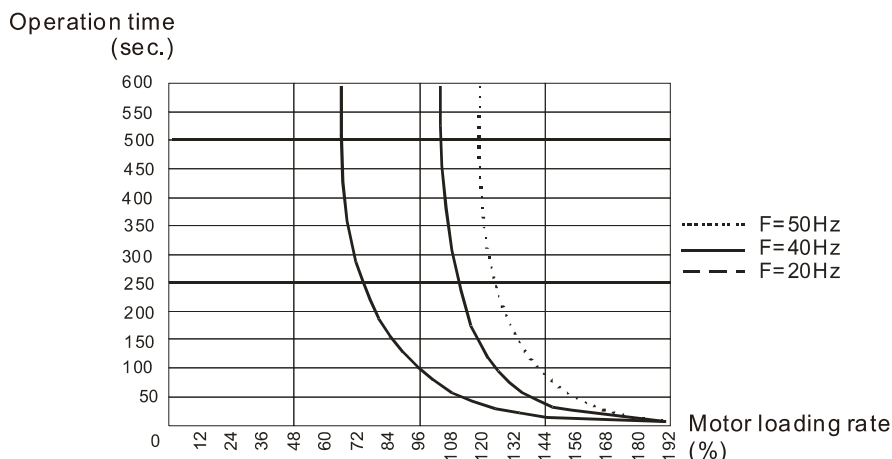
- Pr.14-80 or Pr.14-82 is set to 0 (using inverter motor):

When the output current of the drive is higher than 150% of the motor rated current (refer to the motor rated current % corresponded to the motor rated frequency in the motor cooling curve with independent fan), the drive starts to count the time. The electronic thermal relay acts when the accumulated time exceeds Pr.14-81 or Pr.14-83.

- Pr.14-80 or Pr.14-82 is set to 1 (using standard motor):

When the output current of the drive is higher than 150% of the motor rated current (refer to the motor rated current % corresponded to the motor rated frequency in the motor cooling curve with shaft-fixed fan), the drive starts to count the time. The electronic thermal relay acts when the accumulated time exceeds Pr.14-81 or Pr.14-83.

The actual electronic thermal relay action time adjusts according to the drive output current (shown as the motor loading rate %). The action time is short when the current is high, and the action time is long when the current is low. Refer to the following diagram.

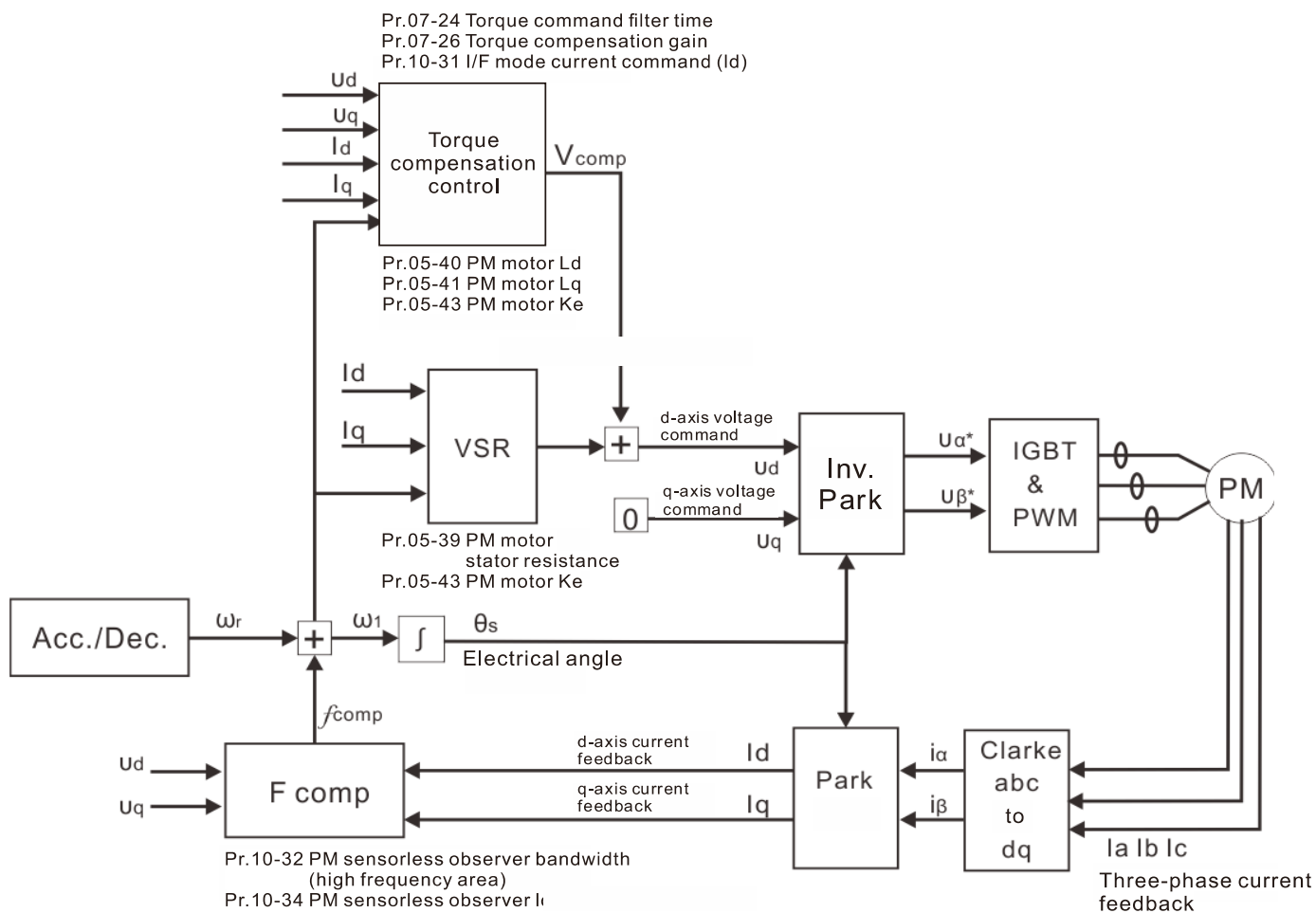


12-2 Adjustment & Application

Standard PM Synchronous AC Motor Adjustment Procedure

- Pr.00-11 Speed Control Mode = 2 SVC (Pr.05-33 = 1 or 2)

PMSVC control diagram



Note: In the diagram, "PM motor" means "permanent magnet synchronous AC motor".

Adjustment procedure

1. Select PM synchronous AC motor control
Pr.05-33 Induction Motor (IM) or Permanent Magnet (PM) Synchronous AC Motor Selection =1 (SPM) or 2 (IPM)
2. Set up motor parameters according to the motor's nameplate
Pr.01-01: Rated frequency
Pr.01-02: Rated voltage
Pr.05-34: Rated current
Pr.05-35: Rated Power
Pr.05-36: Rated speed
Pr.05-37: Number of poles for the motor
3. Execute PM synchronous AC motor auto-tuning (static)

05-00	Motor Parameter Auto-tuning	Default: 0
Settings	0: No function 1: Dynamic test for induction motor (IM) 2: Static test for induction motor (IM) 5: Rolling auto-tuning for PM synchronous AC motor (IPM / SPM) 12: FOC sensorless inertia estimation 13: High frequency stall test for PM synchronous AC motor	

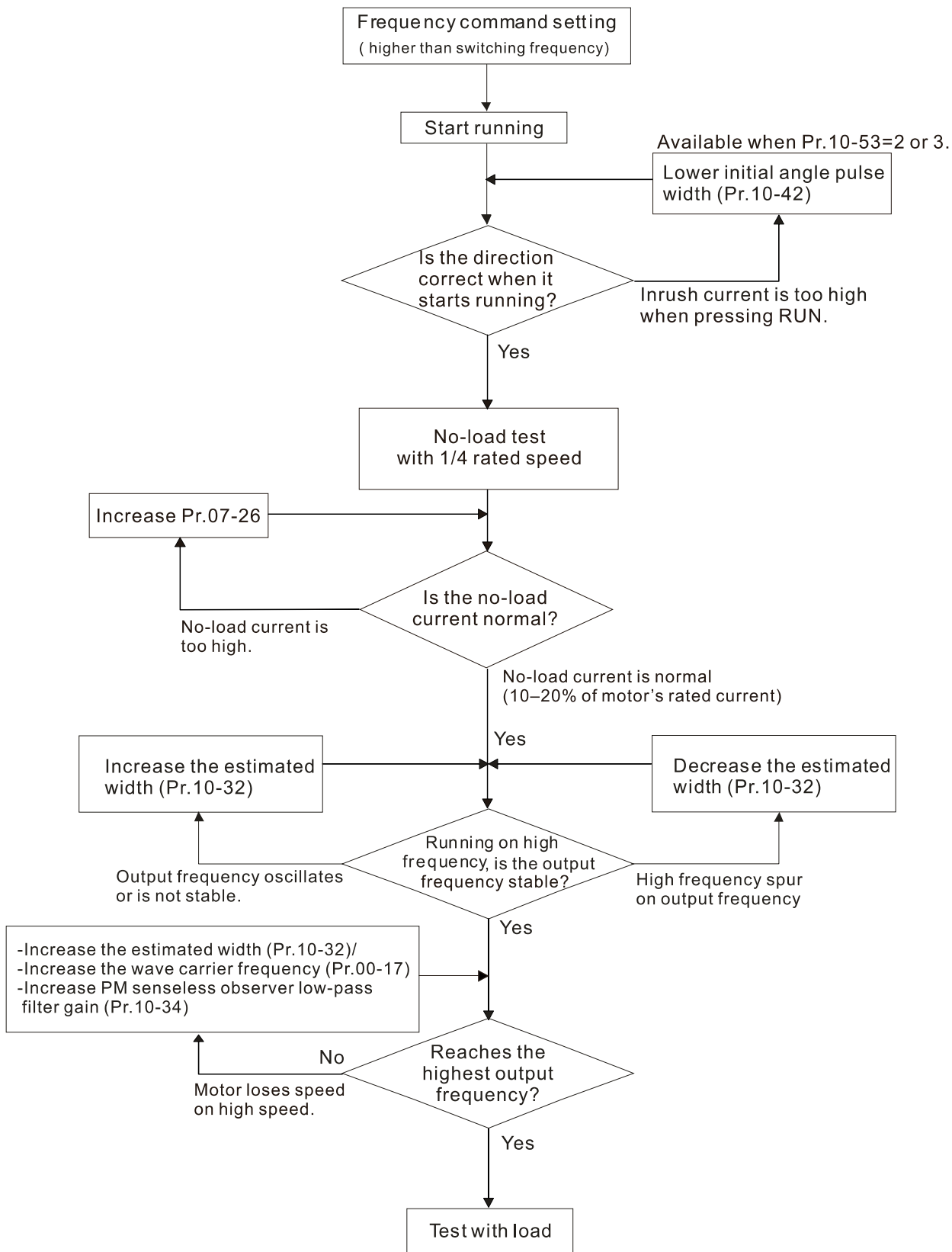
Set Pr.05-00 Motor Parameter Auto-tuning =13 (High frequency stall test for PM synchronous AC motor) and press RUN.

When you finish tuning, the following parameters are available:

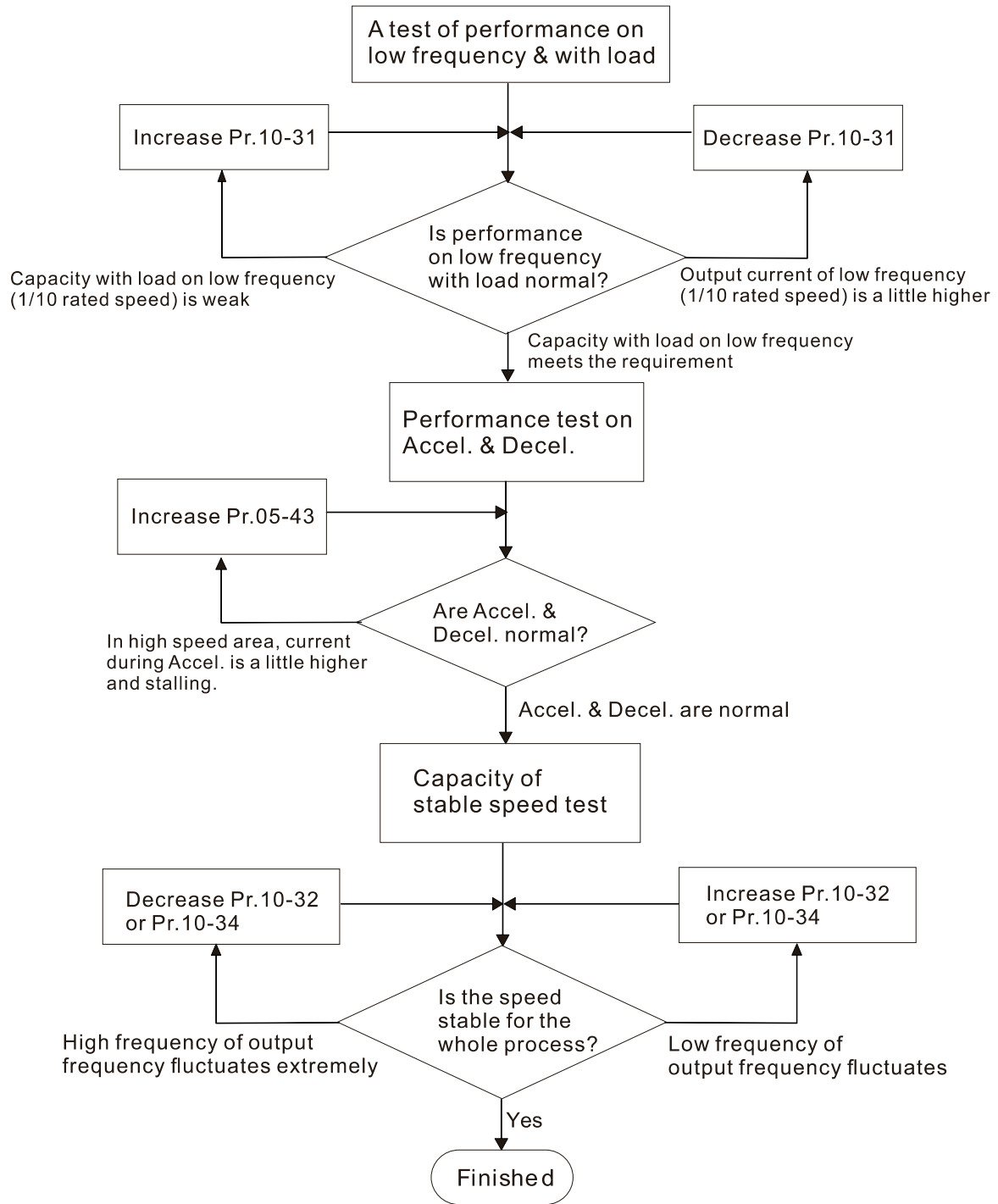
- Pr.05-39: Stator resistance
- Pr.05-40: Permanent magnet synchronous AC motor Ld
- Pr.05-41: Permanent magnet synchronous AC motor Iq
- Pr.05-43: (V / 1000 rpm), the Ke parameter of PM synchronous AC motor (you can calculate this automatically according to power, current, and speed of the motor).

4. Set the speed control mode: Pr.00-10 Control Mode = 0, Pr.00-11 Speed Control Mode = 2 SVC.
5. Cycle the power after you finish tuning.
6. The ratio of the PMSVC control mode is 1:20.
7. When the PMSVC control mode is under 1/20th of the rated speed, the load bearing capacity is 100% of the motor rated torque.
8. PMSVC control mode is not applicable to zero speed control.
9. The start-up load and the load bearing capacity of the forward/reverse running in PMSVC control mode equal to 100% of the motor rated torque.

10. Adjustment flow chart when starting WITHOUT load:



11. Adjustment flow chart when starting WITH load:



12. Set up the related parameters for speed estimators

10-31 I/F Mode, Current Command

Default: 40

Settings 0–150% rated current of the motor

- 📖 Sets the current command for the drive in the low speed area (low speed area: Frequency command < Pr.10-39). When the motor stalls on heavy duty start-up or forward/reverse with load, increase the parameter value. If the inrush current is too high and causes oc stall, then decrease the parameter value.

10-32 PM FOC Sensorless Speed Estimator Bandwidth

Default: 5.00

Settings 0.00–600.00 Hz

- 📖 Sets the speed estimator bandwidth. Adjust the parameter to influence the stability and the accuracy of the motor speed.
- 📖 If there is low frequency vibration (the waveform is similar to a sine wave) during the process, then increase the bandwidth. If there is high frequency vibration (the waveform shows extreme vibration and is like a spur), then decrease the bandwidth.

10-34 PM Sensorless Speed Estimator Low-pass Filter Gain

Default: 1.00

Settings 0.00–655.35

- 📖 Influences the response speed of the speed estimator.
- 📖 If there is low frequency vibration (the waveform is similar to a sine wave) during the process, then increase the gain. If there is high frequency vibration (the waveform shows extreme vibration and is like a spur), then decrease the gain.

10-39 Frequency Point to Switch from I/F Mode to PM Sensorless Mode

Default: 20.00

Settings 0.00–599.00 Hz

- 📖 Sets the frequency for the switch point from low frequency to high frequency.
- 📖 Due to the weak back-EMF in the low frequency area, PM sensorless mode cannot estimate the accurate speed and position of the rotor. Thus, using I/F mode control is more suitable. In the medium-to-high frequency area, PM sensorless can accurately estimate the back-EMF, stabilizes and controls the motor with lower current.
- 📖 If the switch point is too low and PM sensorless mode operates at a too low frequency, the motor does not generate enough back-EMF to let the speed estimator measure the right position and speed of the rotor, and causes stall and oc when running at the switch point frequency.
- 📖 If the switch point is too high, the drive easily runs in the frequency area of the I/F mode for a long time, which generates a larger current and cannot save energy. (If the current for Pr.10-31 is too high, the high switch point makes the drive continue to output with the setting value for Pr.10-31.)

10-42 Initial Angle Detection Pulse Value

Default: 1.0

Settings 0.0–3.0

- 📖 The angle detection is fixed to 3: Use the pulse injection method to start. The parameter influences the value of the pulse during the angle detection. The larger the pulse, the higher the accuracy of rotor's position. A larger pulse might cause oc.
- 📖 Increase the parameter when the running direction and the command are opposite during start-up. If oc occurs at start-up, then decrease the parameter.
- 📖 Refer to Section 12-2 Adjustment & Application for detailed motor adjustment procedure.

10-49 Zero Voltage Time during Start-up

Default: 0.000

Settings 0.000–60.000 sec.

- 📖 This parameter is valid only when the setting of Pr.07-12 (Speed Tracking during Start-up) = 0.
- 📖 When the motor is in static state at start-up, this increases the accuracy when estimating angles. In order to put the motor in static state, set the three-phase of the drive output to the motor to 0 V. The Pr.10-49 setting time is the length of time for three-phase output at 0 V.
- 📖 It is possible that even when you apply this parameter, the motor cannot go in to the static state because of inertia or some external force. If the motor does not go into a complete static state in 0.2 seconds, increase this setting value appropriately.
- 📖 If Pr.10-49 is set too high, the start-up time is longer. If it is too low, then the braking performance is weak.

10-51 Injection Frequency

Default: 500

Settings 0–1200 Hz

- 📖 This parameter is a high frequency injection command in PM SVC control mode, and usually you do not need to adjust it. But if a motor's rated frequency (for example, 400 Hz) is too close to the frequency setting for this parameter (that is, the default of 500 Hz), it affects the accuracy of the angle detection. Refer to the setting for Pr.01-01 before you adjust this parameter.
- 📖 If the setting value for Pr.00-17 is lower than Pr.10-51*10, then increase the frequency of the carrier frequency.
- 📖 Pr.10-51 is valid only when Pr.10-53 = 2.

↖ 10-52 Injection Magnitude

Default: 15.0 / 30.0 / 37.5

Settings 115V / 230V series: 100.0 V
 460V series: 200.0 V
 575V series: 200.0 V

Note: The setting range varies depending on the voltage.

- 📖 The parameter is the magnitude command for the high frequency injection signal in PM SVC control mode.
- 📖 Increasing the parameter can increase the accuracy of the angle estimation, but the electromagnetic noise might be louder if the setting value is too high.
- 📖 The system uses this parameter when the motor's parameter is "Auto". This parameter influences the angle estimation accuracy.
- 📖 When the ratio of the salient pole (L_q / L_d) is lower, increase Pr.10-52 to make the angle detection accurate.
- 📖 Pr.10-52 is valid only when Pr.10-53 = 2.

↖ 10-53 Angle Detection Method

Default: 0

Settings 0: Disabled
 1: Force attracting the rotor to zero degrees
 2: High frequency injection
 3: Pulse injection

- 📖 Set to 2 for IPM; set to 3 for SPM. If these settings cause problems, then set the parameter to 1.

13. Speed adjustment parameter

↖ 07-26 Torque Compensation Gain

Default: 1

Settings IM: 0–10 (when Pr.05-33=0)
 PM Synchronous AC Motor: 0–5000 (when Pr.05-33=1 or 2)

- 📖 With a large motor load, a part of the drive output voltage is absorbed by the stator winding resistor; therefore, the air gap magnetic field is insufficient. This causes insufficient voltage at motor induction and results in excessive output current but insufficient output torque. Auto-torque compensation can automatically adjust the output voltage according to the load and keep the air gap magnetic fields stable to get the optimal operation.
- 📖 In the V/F control, the voltage decreases in direct proportion with decreasing frequency. The torque decreases at low speed because of a decreasing AC resistor and an unchanged DC resistor. The auto-torque compensation function increases the output voltage at low frequency to get a higher starting torque.
- 📖 When the compensation gain is set too high, it may cause motor over-flux and result in a too large output current of the drive, motor overheating or trigger the drive's protection function.

[This page intentionally left blank]

Chapter 13 Warning Codes

Digital Keypad KPMS-LE01



ID No.	Display on LCD Keypad	Warning Name	Description
1	CE1	Communication error 1 (CE1)	RS-485 Modbus illegal function code
Action and Reset			
	Action level	When the function code is not 03, 06, 10 and 63	
	Action time	Immediately act	
	Warning setting parameter	N/A	
	Reset method	"Warning" occurs when Pr.09-02=0 and the motor drive keeps running. The drive resets automatically when receiving the correct function code.	
	Reset condition	Immediately reset	
	Record	N/A	
	Cause	Corrective Actions	
	Incorrect communication command from upper unit	Check if the communication command is correct.	
	Malfunction caused by interference	Verify the wiring and grounding of the communication circuit. It is recommended to separate the communication circuit from the main circuit, or wire in 90 degree for effective anti-interference performance.	
	Different communication setting from the upper unit	Check if the setting for Pr.09-02 is the same as the setting for the upper unit.	
	Disconnection or bad connection of the cable	Check the cable and replace it if necessary.	

ID No.	Display on LCD Keypad	Warning Name	Description
2	CE2	Communication error 2 (CE2)	RS-485 Modbus illegal data address
Action and Reset			
Action level		When the input data address is incorrect	
Action time		Immediately act	
Warning setting parameter		N/A	
Reset method		"Warning" occurs when Pr.09-02=0 and the motor drive keeps running. The drive resets automatically when receiving the correct data address.	
Reset condition		Immediately reset	
Record		N/A	
Cause		Corrective Actions	
Incorrect communication command from upper unit		Check if the communication command is correct.	
Malfunction caused by interference		Verify the wiring and grounding of the communication circuit. It is recommended to separate the communication circuit from the main circuit, or wire in 90 degree for effective anti-interference performance.	
Different communication setting from the upper unit		Check if the setting for Pr.09-02 is the same as the setting for the upper unit.	
Disconnection or bad connection of the cable		Check the cable and replace it if necessary.	

ID No.	Display on LCD Keypad	Warning Name	Description
3	CE3	Communication error 3 (CE3)	RS-485 Modbus illegal data value
Action and Reset			
Action level		When the length of communication data is too long	
Action time		Immediately act	
Warning setting parameter		N/A	
Reset method		"Warning" occurs when Pr.09-02=0 and the motor drive keeps running. The drive resets automatically when receiving the correct communication data value.	
Reset condition		Immediately reset	
Record		N/A	
Cause		Corrective Actions	
Incorrect communication command from upper unit		Check if the communication command is correct.	
Malfunction caused by interference		Verify the wiring and grounding of the communication circuit. It is recommended to separate the communication circuit from the main circuit, or wire in 90 degree for effective anti-interference performance.	
Different communication setting from the upper unit		Check if the setting for Pr.09-02 is the same as the setting for the upper unit.	
Disconnection or bad connection of the cable		Check the cable and replace it if necessary.	

ID No.	Display on LCD Keypad	Warning Name	Description
4	CE4	Communication error 4 (CE4)	RS-485 Modbus data is written to read-only address
Action and Reset			
Action level	When the data is written to read-only address		
Action time	Immediately act		
Warning setting parameter	N/A		
Reset method	"Warning" occurs when Pr.09-02=0 and the motor drive keeps running. The drive resets automatically when receiving the correct written address of communication data.		
Reset condition	Immediately reset		
Record	N/A		
Cause	Corrective Actions		
Incorrect communication command from upper unit	Check if the communication command is correct.		
Malfunction caused by interference	Verify the wiring and grounding of the communication circuit. It is recommended to separate the communication circuit from the main circuit, or wire in 90 degree for effective anti-interference performance.		
Different communication setting from the upper unit	Check if the setting for Pr.09-02 is the same as the setting for the upper unit.		
Disconnection or bad connection of the cable	Check the cable and replace it if is necessary.		

ID No.	Display on LCD Keypad	Warning Name	Description
5	CE10	Communication error 10 (CE10)	RS-485 Modbus transmission time-out
Action and Reset			
Action level	When the communication time exceeds the detection time of Pr.09-03 communication time-out		
Action time	Pr.09-03		
Warning setting parameter	N/A		
Reset method	"Warning" occurs when Pr.09-02=0 and the motor drive keeps running. The drive resets automatically when receiving the next communication packet.		
Reset condition	Immediately reset		
Record	N/A		
Cause	Corrective Actions		
The upper unit does not transmit the communication command within Pr.09-03 setting time	Check if the upper unit transmits the communication command within the setting time for Pr.09-03.		
Malfunction caused by interference	Verify the wiring and grounding of the communication circuit. It is recommended to separate the communication circuit from the main circuit, or wire in 90 degree for effective anti-interference performance.		
Different communication setting from the upper unit	Check if the setting for Pr.09-02 is the same as the setting for the upper unit.		
Disconnection or bad connection of the cable	Check the cable and replace it if necessary.		

ID No.	Display on LCD Keypad	Warning Name	Description
7	SE1	Save error 1 (SE1)	Keypad COPY error 1: Keypad copy time-out
Action and Reset			
Action level	"SE1" warning occurs when the keypad does not transmit the COPY command to the drive, and does not transmit any data to the drive again in 10 ms at the time you copy the parameters to the drive.		
Action time	10 ms		
Warning setting parameter	N/A		
Reset method	Manual reset		
Reset condition	Immediately reset		
Record	N/A		
Cause	Corrective Actions		
Communication connection error	SE1: The causes of error are mostly communication problems between the keypad and control board. Potential causes include communication signal interference and the unacceptable communication command to the Slave. Check if the error occurs randomly, or only occurs when copying certain parameters (the error displays on the upper right corner of the copy page). If you cannot clear the error, please contact Delta.		
Keypad error			
Control board error			

ID No.	Display on LCD Keypad	Warning Name	Description
8	SE2	Save error 2 (SE2)	Keypad COPY error 2: parameter writing error
Action and Reset			
Action level	"SE2" warning occurs when writing the parameters incorrectly at the time you copy parameters to the drive. For example, you copy the new firmware version with added parameters to the drive with old firmware version.		
Action time	N/A		
Warning setting parameter	N/A		
Reset method	Manual reset		
Reset condition	Immediately reset		
Record	N/A		
Cause	Corrective Actions		
Add new parameters to the new firmware version.	SE2: In this stage, the copied data has been transmitted to the Slave. The Slave compares and processes the copied data, and then saves the data to the Data ROM. During the process, the data error (should be attribution error) may occur, or the data cannot be saved to EEPROM. At this time, the warning occurs. It is suggested to check the status of Data ROM and remove the error causes first. If you cannot clear the error, please contact Delta.		
Malfunction caused by interference	Verify the wiring and grounding of the main circuit, control circuit and the encoder for effective anti-interference performance.		

ID No.	Display on LCD Keypad	Warning Name	Description
9	oH1	IGBT over-heating warning (oH1)	The AC motor drive detects IGBT overheating and exceeds the protection level of oH1 warning. (When Pr.06-15 is higher than the IGBT overheating protection level, the drive shows oH1 error without displaying oH1 warning.)
Action and Reset			
Action level		Pr.06-15	
Action time		"oH1" warning occurs when IGBT temperature is higher than Pr.06-15 setting value.	
Warning setting parameter		N/A	
Reset method		Auto-reset	
Reset condition		The drive auto-resets when IGBT temperature is lower than oH1 warning level minus (-) 5°C	
Record		N/A	
Cause		Corrective Actions	
Check if the ambient temperature or temperature inside the cabinet is too high, or if there is obstruction in the ventilation hole of the control cabinet.		<ol style="list-style-type: none"> 1. Check the ambient temperature. 2. Regularly inspect the ventilation hole of the control cabinet. 3. Change the installed place if there are heating objects, such as brake resistors, in the surroundings. 4. Install/ add cooling fan or air conditioner to lower the temperature inside the cabinet. 	
Check if there is any obstruction on the heat sink or if the fan is running		Remove the obstruction or replace the cooling fan.	
Insufficient ventilation space		Increase ventilation space of the drive.	
Check if the drive matches the corresponded loading		<ol style="list-style-type: none"> 1. Decrease loading. 2. Decrease the carrier wave. 3. Replace with a drive with larger capacity. 	
The drive has run 100% or more of the rated output for a long time		Replace with a drive with larger capacity.	

ID No.	Display on LCD Keypad	Warning Name	Description
11	PId	PID feedback error (PID)	PID feedback loss (warning for analog feedback signal; works only when PID enables)
Action and Reset			
Action level		When the analog input is lower than 4 mA (only detects analog input 4–20 mA)	
Action time		Pr.08-08	
Warning setting parameter		Pr.08-09 0: Warn and continue operation 1: Fault and ramp to stop 2: Fault and coast to stop 3: Warn and operate at last frequency	
Reset method	Auto	"Warning" occurs when Pr.08-09=0 or 3. The "Warning" automatically clears when the feedback signal is larger than 4 mA.	
	Manual	"Error" occurs when Pr.08-09=1 or 2. You must reset manually.	
Reset condition		Immediately reset	
Record		Records when Pr.08-09=1 or 2 ("Error"). Does not record when Pr.08-09=3 ("Warning").	

Cause	Corrective Actions
Loose or broken PID feedback wiring	Tighten the terminals again. Replace with a new cable.
Feedback device malfunction	Replace with a new feedback device.
Hardware error	If the PID error still occurs after checking all the wiring, return to the factory for repair.

ID No.	Display on LCD Keypad	Warning Name	Description
12	AnL	ACI analog signal loss (AnL)	Analog input current loss (including all analog 4–20 mA signals)
Action and Reset			
Action level		When the analog input is lower than 4 mA (only detects analog input 4–20 mA)	
Action time		Immediately act	
Warning setting parameter		Pr.03-19 0: Disable 1: Continue operation at the last frequency (warning, keypad displays ANL) 2: Decelerate to 0 Hz (warning, keypad displays ANL) 3: Stop immediately and display “ACE”	
Reset method		Auto	“Warning” occurs when Pr.03-19=1 or 2. The “Warning” automatically clears when the analog input signal is larger than 4 mA.
		Manual	“Error” occurs when Pr.03-19=3. You must reset manually.
Reset condition		Immediately reset	
Record		Does not record when Pr.03-19=1 or 2 (“Warning”).	
Cause		Corrective Actions	
Loose or broken ACI wiring		Tighten the terminals again. Replace with a new cable.	
External device error		Replace with a new device.	
Hardware error		If the AnL error still occurs after checking all the wiring, return to the factory for repair.	

ID No.	Display on LCD Keypad	Warning Name	Description
13	uC	Under current (uC)	Low current
Action and Reset			
Action level		Pr.06-71	
Action time		Pr.06-72	
Warning setting parameter		Pr.06-73 0: No function 1: Fault and coast to stop 2: Fault and ramp to stop by the 2 nd deceleration time 3: Warn and continue operation	
Reset method		Auto	“Warning” occurs when Pr.06-73=3. The “Warning” automatically clears when the output current is larger than (Pr.06-71+0.1 A).
		Manual	“Error” occurs when Pr.06-73=1 and 2. You must reset manually.
Reset condition		Immediately reset	
Record		Does not record when Pr.06-73=3 and uC displays (“Warning”).	

Cause	Corrective Actions
Broken motor cable	Exclude the connection issue of the motor and its load.
Improper setting for the low current protection	Set the proper settings for Pr.06-71, Pr.06-72 and Pr.06-73.
Low load	Check the loading status. Make sure the loading matches the motor capacity.

ID No.	Display on LCD Keypad	Warning Name	Description
17	oSPd	Over speed warning (oSPd)	Over speed warning
Action and Reset			
Action level		The encoder feedback speed > Pr.10-10	
Action time		Pr.10-11	
Warning setting parameter		Pr.10-12=0 0: Warn and continue operation	
Reset method		"Warning" automatically clears when the drive stops	
Reset condition		"Warning" automatically clears when the drive stops	
Record		N/A	
Cause		Corrective Actions	
Improper setting for Pr.10-25 FOC bandwidth for speed observer		Decrease setting value for Pr.10-25.	
Improper bandwidth setting for ASR speed controller		Increase the bandwidth setting for ASR speed controller.	
Incorrect motor parameter setting		Reset motor parameter and run parameter tuning.	
Malfunction caused by interference		Verify the wiring of the control circuit, and the wiring/grounding of the main circuit to prevent interference.	

ID No.	Display on LCD Keypad	Warning Name	Description
18	dAvE	Deviation Warning (dAvE)	Over speed deviation warning
Action and Reset			
Action level		Pr.10-13	
Action time		Pr.10-14	
Warning setting parameter		Pr.10-15 Encoder Stall and Slip Error Action =0 0: Warn and continue operation	
Reset method		"Warning" automatically clears when the drive stops	
Reset condition		After the drive stops	
Record		N/A	
Cause		Corrective Actions	
Improper parameter setting for the slip error		Reset proper value for Pr.10-13 and Pr.10-14.	
Improper setting for ASR parameter and acceleration/ deceleration		Reset ASR parameters. Set proper accel./ decel. time.	
Accel./ Decel. time is too short		Reset proper accel./ decel. time.	
Motor locked		Remove the causes of motor locked.	
Mechanical brake is not released		Check the action timing of the system.	

Incorrect parameter setting of torque limit (Pr.06-12, Pr.11-17–20)	Adjust to proper setting value.
Malfunction caused by interference	Verify the wiring of the control circuit, and the wiring/grounding of the main circuit to prevent interference.

ID No.	Display on LCD Keypad	Warning Name	Description
19	PHL	Phase loss (PHL)	Input phase loss warning
Action and Reset			
Action level		One of the phases outputs less than Pr.06-47	
Action time		Pr.06-46	
Warning setting parameter		Pr.06-45 Output Phase Loss Detection Action (OPHL) =0 0: Warn and continue operation	
Reset method		“Warning” automatically clears when the drive stops	
Reset condition		After the drive stops	
Record		N/A	
Cause		Corrective Actions	
Phase loss of the input power		Verify the wiring of the main circuit.	
Single phase power input on a three-phase model		Use the model with voltage that matches the power.	
The power voltage has changed		If the power of main circuit works well, check if the MC of the main circuit is broken. Cycle the power after verifying the power is normal. If PHL still occurs, return to the factory for repair.	
Loose wiring terminal of input power		Tighten the terminal screws with the torque listed in the user manual.	
Check if the input cable of three-phase power is broken		Make sure the wiring is correct. Replace the broken part of the cable.	
Unbalanced three-phase of the input power		Check the status of three-phase power.	

ID No.	Display on LCD Keypad	Warning Name	Description
20	ot1	Over-torque 1 (ot1)	Over-torque 1 warning
Action and Reset			
Action level		Pr.06-07	
Action time		Pr.06-08	
Warning setting parameter		Pr.06-06 Over-torque Detection Selection (Motor 1) =1 or 3 0: No function 1: Continue operation after over-torque detection during constant speed operation 2: Stop after over-torque detection during constant speed operation 3: Continue operation after over-torque detection during RUN 4: Stop after over-torque detection during RUN	
Reset method		When the output current < Pr.06-07, the Ot1 warning automatically clears	
Reset condition		When the output current < Pr.06-07, the Ot1 warning automatically clears	
Record		N/A	

Cause	Corrective Actions
Incorrect parameter setting	Configure the settings for Pr.06-07 and Pr.06-08 again.
Mechanical error (e.g. mechanical lock due to over-torque)	Remove the causes of malfunction.
The load is too large	Decrease the loading. Replace with a motor with larger capacity.
Accel./ Decel. time and working cycle is too short	Increase the setting values for Pr.01-12-01-19 (accel./ decel. time)
V/F voltage is too high	Adjust the V/F curve (Motor 1, Pr.01-01-01-08), especially the setting value for the mid-point voltage (if the mid-point voltage is set too small, the load capacity decreases at low-speed).
The motor capacity is too small	Replace with a motor with larger capacity.
Overload during low-speed operation	Decrease the loading during low-speed operation. Increase the motor capacity.
The torque compensation is too large	Adjust the torque compensation value (Pr.07-26 torque compensation gain) until the output current decreases and the motor does not stall.
Improper parameter settings for the speed tracking function (including restart after momentary power loss and restart after fault)	Correct the parameter settings for speed tracking. Start the speed tracking function. Adjust the maximum current for Pr.07-09 speed tracking.

ID No.	Display on LCD Keypad	Warning Name	Description
21		Over-torque (ot2)	Over-torque 2 warning
Action and Reset			
Action level		Pr.06-10	
Action time		Pr.06-11	
Warning setting parameter		Pr.06-09 Over-torque Detection Selection (Motor 2) =1 or 3 0: No function 1: Continue operation after over-torque detection during constant speed operation 2: Stop after over-torque detection during constant speed operation 3: Continue operation after over-torque detection during RUN 4: Stop after over-torque detection during RUN	
Reset method		When the output current < Pr.06-10, the Ot2 warning automatically clears	
Reset condition		When the output current < Pr.06-10, the Ot2 warning automatically clears	
Record		N/A	
Cause	Corrective Actions		
Incorrect parameter setting	Configure the settings for Pr.06-10 and Pr.06-11		
Mechanical error (e.g. mechanical lock due to over-torque)	Remove the causes of malfunction.		
The load is too large	Decrease the loading. Replace with a motor with larger capacity.		
Accel./ Decel. time and working cycle is too short	Increase the setting values for Pr.01-12-01-19 (accel./ decel. time)		
V/F voltage is too high	Adjust the V/F curve (Motor 2, Pr.01-35-01-42), especially the setting value for the mid-point voltage (if the mid-point voltage is set too small, the load capacity decreases at low-speed).		

The motor capacity is too small	Replace with a motor with larger capacity.
Overload during low-speed operation	Decrease the loading during low-speed operation. Increase the motor capacity.
The torque compensation is too large	Adjust the torque compensation value (Pr.07-71 torque compensation gain) until the output current decreases and the motor does not stall.
Improper parameter settings for the speed tracking function (including restart after momentary power loss and restart after fault)	Correct the parameter settings for speed tracking. Start speed tracking function. Adjust the maximum current for Pr.07-09 speed tracking.

ID No.	Display on LCD Keypad	Warning Name	Description
22_1	oH3	Motor over-heating (oH3) PTC	Motor overheating warning. The AC motor drive detects the temperature inside the motor is too high
Action and Reset			
Action level	Pr.03-00=6 (PTC), PTC input level > Pr.06-30 PTC level (default=50%)		
Action time	Immediately act		
Warning setting parameter	Error treatment: Pr.06-29 0: Warn and continue operation 1: Fault and ramp to stop 2: Fault and coast to stop 3: No warning When Pr.06-29=0 and when the temperature is \leq Pr.06-30 level, the oH3 warning automatically clears. When Pr.06-29=0 ("Warning"), it automatically resets.		
Reset method	When Pr.06-29=0, oH3 displays as "Warning". When the temperature is \leq Pr.06-30 level, the oH3 warning automatically clears.		
Reset condition	When the temperature is \leq Pr.06-30 level, the oH3 warning automatically clears.		
Record	N/A		
Cause	Corrective Actions		
Motor locked	Clear the motor lock status.		
The load is too large	Decrease the loading. Replace with a motor with larger capacity.		
Ambien temperature is too high	Change the installed place if there are heating devices in the surroundings. Install/ add cooling fan or air conditioner to lower the ambient temperature.		
Motor cooling system error	Check the cooling system to make it work normally.		
Motor fan error	Replace the fan.		
Operates at low-speed too long	Decrease low-speed operation time. Change to dedicated motor for the drive. Increase the motor capacity.		
Accel./ Decel. time and working cycle is too short	Increase setting values for Pr.01-12-01-19 (accel./ decel. time).		
V/F voltage is too high	Adjust settings for Pr.01-01-01-08 (V/F curve), especially the setting value for the mid-point voltage (if the mid-point voltage is set too small, the load capacity decreases at low-speed).		
Check if the motor rated current matches the motor nameplate	Configure the correct rated current value of the motor again.		

Check if the PTC is properly set and wired	Check the connection between PTC thermistor and the heat protection.
Check if the setting for stall prevention is correct	Set the stall prevention to the proper value.
Unbalanced three-phase impedance of the motor	Replace the motor.
Harmonics is too high	Use remedies to reduce harmonics.

ID No.	Display on LCD Keypad	Warning Name	Description
22_2	oH3	Motor over-heating (oH3) PT100	Motor overheating warning. The AC motor drive detects the temperature inside the motor is too high.
Action and Reset			
Action level	Pr.03-00=11 (PT100), PT100 input level > Pr.06-57 (default=7 V)		
Action time	Immediately act		
Warning setting parameter	Error treatment: Pr.06-29 0: Warn and continue operation 1: Fault and ramp to stop 2: Fault and coast to stop 3: No warning When Pr.06-29=0 and when the temperature is < Pr.06-56 level, the oH3 warning automatically clears. If the temperature is between Pr.06-56 and Pr.06-57, the frequency outputs according to the operating frequency setting for Pr.06-58.		
Reset method	When Pr.06-29=0, oH3 displays as "Warning". When the temperature is < Pr.06-56 level, the oH3 warning automatically clears.		
Reset condition	When the temperature is < Pr.06-56 level, the oH3 warning automatically clears.		
Record	N/A		
Cause	Corrective Actions		
Motor locked	Clear the motor lock status.		
The load is too large	Decrease loading. Replace with a motor with larger capacity.		
Ambien temperature is too high	Change the installed place if there are heating devices in the surroundings. Install/ add cooling fan or air conditioner to lower the ambient temperature.		
Motor cooling system error	Check the cooling system to make it work normally.		
Motor fan error	Replace the fan.		
Operates at low-speed too long	Decrease low-speed operation time. Change to dedicated motor for the drive. Increase the motor capacity.		
Accel./ Decel. time and working cycle is too short	Increase the setting values for Pr.01-12-01-19 (accel./ decel. time).		
V/F voltage is too high	Adjust the settings for Pr.01-01-01-08 (V/F curve), especially the setting value for the mid-point voltage (if the mid-point voltage is set too small, the load capacity decreases at low-speed).		
Check if the motor rated current matches the motor nameplate	Configure the correct rated current value of the motor again.		
Check if the PT100 is properly set and wired	Check the connection between PT100 thermistor and the heat protection.		

Check if the setting for stall prevention is correct	Set the stall prevention to the proper value.
Unbalanced three-phase impedance of the motor	Replace the motor.
Harmonics is too high	Use remedies to reduce harmonics.

ID No.	Display on LCD Keypad	Warning Name	Description
24	oSL	Over slip warning (oSL)	Over slip warning. By using the maximum slip (Pr.10-29) as the base, when the drive outputs at constant speed, and the F>H or F<H exceeds Pr.07-29 level and Pr.07-30 setting time, 100% Pr.07-29 = Pr.10-29.
Action and Reset			
Action level		When the drive outputs at constant speed, and F>H or F<H exceeds the Pr.07-29 level	
Action time		Pr.07-30	
Warning setting parameter		Pr.07-31=0 Warning 0: Warn and continue operation 1: Fault and ramp to stop 2: Fault and coast to stop 3: No warning	
Reset method		When Pr.07-31=0 and when the drive outputs at constant speed, and F>H or F<H no longer exceeds the Pr.07-29 level, the oSL warning automatically clears.	
Reset condition		N/A	
Record		N/A	
Cause		Corrective Actions	
Check if the motor parameter is correct		Check the motor parameter.	
The load is too large		Decrease the loading.	
Check if the settings for Pr.07-29, Pr.07-30 and Pr.10-29 are properly set		Check the parameter settings for oSL protection.	

ID No.	Display on LCD Keypad	Warning Name	Description
25	tUn	Auto tuning (tUn)	Parameter auto-tuning is processing. When running auto-tuning, the keypad displays "tUn".
Action and Reset			
Action level		When running Pr.05-00 motor parameter auto-tuning, the keypad displays "tUn".	
Action time		N/A	
Warning setting parameter		N/A	
Reset method		When auto-tuning is finished and no error occurs, the warning automatically clears.	
Reset condition		When auto-tuning is finished and no error occurs.	
Record		N/A	
Cause		Corrective Actions	
The motor parameter is running auto-tuning		When the auto-tuning is finished, the warning automatically clears.	

ID No.	Display on LCD Keypad	Warning Name	Description
28	oPHL	Output phase loss (oPHL)	Output phase loss of the drive
Action and Reset			
Action level		Pr.06-47	
Action time		N/A	
Warning setting parameter		Pr.06-45 0: Warn and continue operation 1: Fault and ramp to stop 2: Fault and coast to stop 3: No warning	
Reset method		If Pr.06-45 is set to 0, the oPHL warning automatically clears after the drive stops.	
Reset condition		N/A	
Record		N/A	
Cause	Corrective Actions		
Unbalanced three-phase impedance of the motor	Replace the motor.		
Check if the wiring is incorrect	Check the cable. Replace the cable.		
Check if the motor is a single-phase motor	Choose a three-phase motor.		
Check if the current sensor is broken	Check if the control board cable is loose. If yes, reconnect the cable and run the drive to test. If the error still occurs, return to the factory for repair. Check if the three-phase current is balanced with a current clamp meter. If the current is balanced and the oPHL error still shows on the display, return to the factory for repair.		
Check if capacity of the drive is larger than the motor	Choose a drive's capacity matches a motor's.		

ID No.	Display on LCD Keypad	Warning Name	Description
30	SE3	Copy model error 3 (SE3)	Keypad COPY error 3: copy model error
Action and Reset			
Action level		"SE3" warning occurs when different drive identity codes are found during copying parameters.	
Action time		Immediately act when the error is detected	
Warning setting parameter		N/A	
Reset method		Manual reset	
Reset condition		N/A	
Record		N/A	
Cause	Corrective Actions		
Keypad copy between different power range drives	It is mainly to prevent parameter copies between different HP/models.		

ID No.	Display on LCD Keypad	Warning Name	Description
31	ot3	Over-torque (ot3)	Over-torque 3 warning
Action and Reset			
Action level		Pr.14-75	
Action time		Pr.14-76	
Warning setting parameter		Pr.14-74 Over-torque Detection Selection (Motor 3) =1 or 3 0: No function 1: Continue operation after over-torque detection during constant speed operation 2: Stop after over-torque detection during constant speed operation 3: Continue operation after over-torque detection during RUN 4: Stop after over-torque detection during RUN	
Reset method		When the output current < Pr.14-75, the Ot3 warning automatically clears	
Reset condition		When the output current < Pr.14-75, the Ot3 warning automatically clears	
Record		N/A	
Cause		Corrective Actions	
Incorrect parameter setting		Configure the settings for Pr.14-75 and Pr.14-76 again.	
Mechanical error (e.g. mechanical lock due to over-torque)		Remove the causes of malfunction.	
The load is too large		Decrease the loading. Replace with a motor with larger capacity.	
Accel./ Decel. time and working cycle is too short		Increase the setting values for Pr.01-12-01-19 (accel./ decel. time)	
V/F voltage is too high		Adjust the V/F curve (Motor 3, Pr.01-54-01-61), especially the setting value for the mid-point voltage (if the mid-point voltage is set too small, the load capacity decreases at low-speed).	
The motor capacity is too small		Replace with a motor with larger capacity.	
Overload during low-speed operation		Decrease the loading during low-speed operation. Increase the motor capacity.	
The torque compensation is too large		Adjust the torque compensation value (Pr.07-73 torque compensation gain) until the output current decreases and the motor does not stall.	
Improper parameter settings for the speed tracking function (including restart after momentary power loss and restart after fault)		Correct the parameter settings for speed tracking. Start the speed tracking function. Adjust the maximum current for Pr.07-09 speed tracking.	

ID No.	Display on LCD Keypad	Warning Name	Description
32	ot4	Over-torque (ot4)	Over-torque 4 warning
Action and Reset			
Action level		Pr.14-78	
Action time		Pr.14-79	
Warning setting parameter		Pr.14-77 Over-torque Detection Selection (Motor 4) =1 or 3 0: No function 1: Continue operation after over-torque detection during constant speed operation 2: Stop after over-torque detection during constant speed operation 3: Continue operation after over-torque detection during RUN 4: Stop after over-torque detection during RUN	
Reset method		When the output current < Pr.14-78, the Ot4 warning automatically clears	
Reset condition		When the output current < Pr.14-79, the Ot4 warning automatically clears	
Record		N/A	
Cause		Corrective Actions	
Incorrect parameter setting		Configure the settings for Pr.14-78 and Pr.14-79 again.	
Mechanical error (e.g. mechanical lock due to over-torque)		Remove the causes of malfunction.	
The load is too large		Decrease the loading. Replace with a motor with larger capacity.	
Accel./ Decel. time and working cycle is too short		Increase the setting values for Pr.01-12-01-19 (accel./ decel. time)	
V/F voltage is too high		Adjust the V/F curve (Motor 4, Pr.01-63-01-70), especially the setting value for the mid-point voltage (if the mid-point voltage is set too small, the load capacity decreases at low-speed).	
The motor capacity is too small		Replace with a motor with larger capacity.	
Overload during low-speed operation		Decrease the loading during low-speed operation. Increase the motor capacity.	
The torque compensation is too large		Adjust the torque compensation value (Pr.07-75 torque compensation gain) until the output current decreases and the motor does not stall.	
Improper parameter settings for the speed tracking function (including restart after momentary power loss and restart after fault)		Correct the parameter settings for speed tracking. Start the speed tracking function. Adjust the maximum current for Pr.07-09 speed tracking.	

ID No.	Display on LCD Keypad	Warning Name	Description
36	CGdn	CANopen guarding time-out (CGdn)	CANopen guarding time-out 1
Action and Reset			
Action level		When CANopen Node Guarding detects that one of the slaves does not respond, the CGdn error displays. The upper unit sets the factor and time during configuration.	
Action time		The time that upper unit sets during configuration	
Warning setting parameter		N/A	
Reset method		Manual reset	
Reset condition		The upper unit sends a reset package to clear this warning.	

Record	N/A
Cause	Corrective Actions
The guarding time is too short, or less detection times	Increase the guarding time (Index 100C) and detection times.
Malfunction caused by interference	<ol style="list-style-type: none"> 1. Verify the wiring and grounding of the communication circuit. It is recommended to separate the communication circuit from the main circuit, or wire in 90 degree for effective anti-interference performance. 2. Make sure the communication circuit is wired in series. 3. Use CANopen cable or add terminating resistance.

ID No.	Display on LCD Keypad	Warning Name	Description
37	CHbn	CANopen heartbeat error (CHbn)	CANopen heartbeat error
Action and Reset			
Action level	When CANopen Heartbeat detects that one of the slaves does not response, the CHbn error shows. The upper unit sets the confirming time of producer and consumer during configuration.		
Action time	The upper unit sets the confirming time of producer and consumer during configuration.		
Warning setting parameter	N/A		
Reset method	Manual reset		
Reset condition	The upper unit sends a reset package to clear this warning.		
Record	When Pr.00-21≠3, CHbn is a "Warning", and the warning is not recorded.		
Cause	Corrective Actions		
The heartbeat time is too short	Increase heartbeat time (Index 1016)		
Malfunction caused by interference	<ol style="list-style-type: none"> 1. Verify the wiring and grounding of the communication circuit. It is recommended to separate the communication circuit from the main circuit, or wire in 90 degree for effective anti-interference performance. 2. Make sure the communication circuit is wired in series. 3. Use CANopen cable or add terminating resistance. 		
Communication cable is broken or bad connected	Check or replace the communication cable.		

ID No.	Display on LCD Keypad	Warning Name	Description
39	CbFn	CANopen bus off error (CbFn)	CANopen BUS off error
Action and Reset			
Action level	Hardware	When CANopen card is not installed, the CbFn warning occurs.	
	Software	When the master receives wrong communication package, the CbFn warning occurs. Too much interference on BUS The master receives wrong package when the CAN_H and CAN_L communication cables are short, CbFn warning occurs.	
Action time	Immediately act when the fault is detected		
Warning setting parameter	N/A		
Reset method	Manual Reset		
Reset condition	Cycle the power		

Record	When Pr.00-21≠3, CbFn is a “Warning”, and the warning is not recorded.
Cause	Corrective Actions
Check if the CANopen card is installed	Make sure the CANopen card is installed.
Check if the CANopen speed is correct	Reset CANopen speed (Pr.09-37)
Malfunction caused by interference	<ol style="list-style-type: none"> 1. Verify the wiring and grounding of the communication circuit. It is recommended to separate the communication circuit from the main circuit, or wire in 90 degree for effective anti-interference performance. 2. Make sure the communication circuit is wired in series. 3. Use CANopen cable or add terminating resistance.
Communication cable is broken or bad connected	Check or replace the communication cable.

ID No.	Display on LCD Keypad	Warning Name	Description
40		CANopen index error (CIdn)	CANopen index error
Action and Reset			
Action level		CANopen communication Index error	
Action time		Immediately act when the fault is detected	
Warning setting parameter		N/A	
Reset method		Manual Reset	
Reset condition		The upper unit sends a reset package to clear this warning	
Record		When Pr.00-21≠3, CIdn is a “Warning”, and the warning is not recorded.	
Cause		Corrective Actions	
Incorrect setting of CANopen index		Reset CANopen index (Pr.00-02=7)	

ID No.	Display on LCD Keypad	Warning Name	Description
41		CANopen station address error (CAdn)	CANopen station address error (only supports 1–127)
Action and Reset			
Action level		CANopen station address error	
Action time		Immediately act when the fault is detected	
Warning setting parameter		N/A	
Reset method		Manual Reset	
Reset condition		Pr.00-02=7	
Record		When Pr.00-21≠3, CAdn is a “Warning”, and the warning is not recorded.	
Cause		Corrective Actions	
Incorrect setting of CANopen station address		<ol style="list-style-type: none"> 1. Disable CANopen (Pr.09-36=0) 2. Reset CANopen (Pr.00-02=7) 3. Reset CANopen station address (Pr.09-36) 	

ID No.	Display on LCD Keypad	Warning Name	Description
42	CFrn	CANopen memory error (CFrn)	CANopen memory error
Action and Reset			
Action level	When you update the firmware version of the control board, the FRAM internal data does not change, then CFrn warning occurs.		
Action time	Immediately act when the fault is detected		
Warning setting parameter	N/A		
Reset method	Manual Reset		
Reset condition	Pr.00-02=7		
Record	When Pr.00-21≠3, CFrn is a “Warning”, and the warning is not recorded.		
Cause	Corrective Actions		
CANopen internal memory error	<ol style="list-style-type: none"> 1. Disable CANopen (Pr.09-36=0) 2. Reset CANopen (Pr.00-20=7) 3. Reset CANopen station address (Pr.09-36) 		

ID No.	Display on LCD Keypad	Warning Name	Description
43	CSdn	CANopen SDO time-out (CSdn)	SDO transmission time-out (only shows on master station)
Action and Reset			
Action level	When the CANopen master transmits a SDO command, and the slave response “times-out”, CSdn warning occurs.		
Action time	Immediately act when the fault is detected		
Warning setting parameter	N/A		
Reset method	When the master resends a SDO command and receives the response, the warning automatically clears.		
Reset condition	N/A		
Record	N/A		
Cause	Corrective Actions		
Slave is not connected	Connect the slave and CANopen BUS.		
The synchronous cycle is set too short	Increase the synchronous time (Index 1006)		
Malfunction caused by interference	<ol style="list-style-type: none"> 1. Verify the wiring and grounding of the communication circuit. It is recommended to separate the communication circuit from the main circuit, or wire in 90 degree for effective anti-interference performance. 2. Make sure the communication circuit is wired in series. 3. Use CANopen cable or add terminating resistance. 		
Disconnection or bad connection of the communication cable	Check the status of the cable, or replace the cable.		

ID No.	Display on LCD Keypad	Warning Name	Description
44	CSbn	CANopen SDO receives register overflow (CSbn)	CANopen SDO receives register overflow
Action and Reset			
Action level		The upper unit sends too much SDO at one time and causes buffer overflow	
Action time		Immediately act when the fault is detected	
Warning setting parameter		N/A	
Reset method		The upper unit sends a reset package to clear the warning.	
Reset condition		N/A	
Record		N/A	
Cause		Corrective Actions	
Too much SDO from the upper unit at one time		Check if the master sends too much SDO command. Make sure the master sends the SDO command according to the command format.	

ID No.	Display on LCD Keypad	Warning Name	Description
45	Cbtn	CANopen start-up error warning (Cbtn)	CANopen start-up error warning
Action and Reset			
Action level		When the amount of sent error messages reach 255	
Action time		N/A	
Warning setting parameter		Index 6007	
Reset method		Disable CANopen, and cycle the power after power-off	
Reset condition		N/A	
Record		N/A	
Cause		Corrective Actions	
Serious interference on hardware		Verify if the grounding, terminating resistance and bus line are properly installed.	
Incorrect setting for communication speed		Verify the setting for communication speed.	
The communication card is not connected, or the card is loose		Make sure the communication card is connected to the drive.	

ID No.	Display on LCD Keypad	Warning Name	Description
46	CPtn	CANopen format error (CPtn)	CANopen protocol format error
Action and Reset			
Action level		The slave detects that communication data from the upper unit cannot be recognized, and then CPtn warning occurs.	
Action time		Immediately act when the fault is detected	
Warning setting parameter		N/A	
Reset method		The upper unit sends a reset packet to clear the warning	
Reset condition		N/A	
Record		N/A	
Cause		Corrective Actions	
The upper unit sends incorrect communication packet		Make sure the master sends the packet based on CANopen DS301 standard command format.	

ID No.	Display on LCD Keypad	Warning Name	Description
50	<i>PLod</i>	PLC opposite defect (PLod)	PLC download error warning
Action and Reset			
Action level	During PLC downloading, the program source code detects incorrect address (e.g. the address exceeds the range), then the PLod warning occurs.		
Action time	Immediately act when the fault is detected		
Warning setting parameter	N/A		
Reset method	Check if the program is correct and download the program again. If the fault does not exist, the warning automatically clears.		
Reset condition	N/A		
Record	N/A		
Cause	Corrective Actions		
Incorrect data number is found when downloading the PLC program	Use the correct data number.		

ID No.	Display on LCD Keypad	Warning Name	Description
51	<i>PLSv</i>	PLC save memory error (PLSv)	Data error during PLC operation
Action and Reset			
Action level	The program detects incorrect written address (e.g. the address exceeds the range) during PLC operation, then the PLSv warning occurs.		
Action time	Immediately act when the fault is detected		
Warning setting parameter	N/A		
Reset method	Check if the program is correct and download the program again. If the fault does not exist, the warning automatically clears.		
Reset condition	N/A		
Record	N/A		
Cause	Corrective Actions		
An incorrect written address is detected during PLC operation	Make sure the written address is correct and download the program again.		

ID No.	Display on LCD Keypad	Warning Name	Description
52	<i>PLdA</i>	Data defect (PLdA)	Data error during PLC operation
Action and Reset			
Action level	The program detects incorrect written address when translating the program source code (e.g. the address exceeds the range) during PLC downloading, then PLdA warning occurs.		
Action time	Immediately act when the fault is detected		
Warning setting parameter	N/A		
Reset method	Check if the program is correct and download the program again. If the fault does not exist, the warning automatically clears.		
Reset condition	N/A		
Record	N/A		
Cause	Corrective Actions		
During PLC operation, the external Modbus has written/read incorrect data to internal PLC program	Check if the upper unit transmits the correct command		

ID No.	Display on LCD Keypad	Warning Name	Description
53	<i>PLFn</i>	Function defect (PLFn)	PLC download function code error
Action and Reset			
Action level	The program detects incorrect command (unsupported command) during PLC downloading, then PLFn warning occurs.		
Action time	Immediately act when the fault is detected		
Warning setting parameter	N/A		
Reset method	Check if the program is correct and download the program again. If the fault does not exist, the warning automatically clears.		
Reset condition	N/A		
Record	N/A		
Cause	Corrective Actions		
Unsupported command has used while downloading the program	Check if the firmware of the drive is the old version. If yes, please contact Delta.		

ID No.	Display on LCD Keypad	Warning Name	Description
54	<i>PLOr</i>	PLC buffer overflow (PLOr)	PLC register overflow
Action and Reset			
Action level	When PLC runs the last command and the command exceeds the maximum capacity of the program, then PLOr warning occurs.		
Action time	Immediately act when the fault is detected		
Warning setting parameter	N/A		
Reset method	Check if the program is correct and download the program again. If the fault does not exist, the warning automatically clears.		
Reset condition	N/A		
Record	N/A		
Cause	Corrective Actions		
The program detects internal source code error during PLC operation	<ol style="list-style-type: none"> 1. Disable PLC 2. Reset the PLC program (Pr.00-02=6) 3. Enable PLC 4. Re-download the PLC program 		

ID No.	Display on LCD Keypad	Warning Name	Description
55	<i>PLFF</i>	Function defect (PLFF)	Function code error during PLC operation
Action and Reset			
Action level	The program detects incorrect command (unsupported command) during PLC operation, then PLFF warning occurs.		
Action time	Immediately act when the fault is detected		
Warning setting parameter	NA		
Reset method	Check if the program is correct and download the program again. If the fault does not exist, the warning automatically clears.		
Reset condition	N/A		
Record	N/A		

Cause	Corrective Actions
The PLC runs an incorrect command during operation	When starting the PLC function and there is no program in the PLC, the PLFF warning occurs. This is a normal warning, please download the program.

ID No.	Display on LCD Keypad	Warning Name	Description
56	PLSn	Checksum error (PLSn)	PLC checksum error
Action and Reset			
Action level	PLC checksum error is detected after the drive is powered on, then PLSn warning occurs.		
Action time	Immediately act when the fault is detected		
Warning setting parameter	NA		
Reset method	Check if the program is correct and download the program again. If the fault does not exist, the warning automatically clears.		
Reset condition	N/A		
Record	N/A		
Cause		Corrective Actions	
The program detects checksum error during PLC operation		<ol style="list-style-type: none"> 1. Disable PLC 2. Reset the PLC program (Pr.00-02=6) 3. Enable PLC 4. Re-download the PLC program 	

ID No.	Display on LCD Keypad	Warning Name	Description
57	PLEd	No end command (PLEd)	PLC end command is missing
Action and Reset			
Action level	The "End" command is missing until the last command is executed, the PLEd warning occurs.		
Action time	Immediately act when the fault is detected		
Warning setting parameter	NA		
Reset method	Check if the program is correct and download the program again. If the fault does not exist, the warning automatically clears.		
Reset condition	N/A		
Record	N/A		
Cause		Corrective Actions	
There is no "END" command during PLC operation		<ol style="list-style-type: none"> 1. Disable PLC 2. Reset the PLC program (Pr.00-02=6) 3. Enable PLC 4. Re-download the PLC program 	

ID No.	Display on LCD Keypad	Warning Name	Description
58	<i>PLCr</i>	PLC MCR error (PLCr)	PLC MCR command error
Action and Reset			
Action level	The MC command is detected during PLC operation, but there is no corresponding MCR command, then the PLCr warning occurs.		
Action time	Immediately act when the fault is detected		
Warning setting parameter	NA		
Reset method	Check if the program is correct and download the program again. If the fault does not exist, the warning automatically clears.		
Reset condition	N/A		
Record	N/A		
Cause	Corrective Actions		
The MC command is continuously used for more than 9 times	The MC command cannot be used continuously for 9 times. Check and reset the program, then re-download the program.		

ID No.	Display on LCD Keypad	Warning Name	Description
59	<i>PLdF</i>	PLC download fail (PLdF)	PLC download failure
Action and Reset			
Action level	PLC download failure due to momentary power loss during the downloading. After the power is ON again, the PLdF warning occurs.		
Action time	Immediately act when the fault is detected		
Warning setting parameter	NA		
Reset method	Check if the program is correct and download the program again. If the fault does not exist, the warning automatically clears.		
Reset condition	N/A		
Record	N/A		
Cause	Corrective Actions		
PLC download is forced to stop, so the written program is incomplete	Check if there is any error in the program and re-download the PLC program.		

ID No.	Display on LCD Keypad	Warning Name	Description
60	<i>PLSF</i>	PLC scan time fail (PLSF)	PLC scan time exceeds the maximum allowable time
Action and Reset			
Action level	When the PLC scan time exceeds the maximum allowable time (400 ms), the PLSF warning occurs.		
Action time	Immediately act when the fault is detected		
Warning setting parameter	NA		
Reset method	Check if the program is correct and download the program again. If the fault does not exist, the warning automatically clears.		
Reset condition	N/A		
Record	N/A		
Cause	Corrective Actions		
The PLC scan time exceeds the maximum allowable time (400 ms)	Check if the source code is correct and re-download the program.		

ID No.	Display on LCD Keypad	Warning Name	Description
70	ECCd	ExCom ID fail (ECid)	Duplicate MAC ID error Node address setting error
Action and Reset			
Action level	Duplicate setting of MAC ID Node address setting error		
Action time	N/A		
Warning setting parameter	N/A		
Reset method	Correct the setting and cycle the power		
Reset condition	N/A		
Record	N/A		
Cause	Corrective Actions		
The setting address exceeds the range (0–63)	Check the address setting of the communication card (Pr.09-70)		
The speed setting exceeds the range	Standard: 0–2; non-standard: 0–7		
The address is duplicated with other nodes on the BUS	Reset the address		

ID No.	Display on LCD Keypad	Warning Name	Description
71	ECLv	ExCom power loss (ECLv)	Low voltage of the communication card
Action and Reset			
Action level	The 5V power that the drive provides to the communication card is too low		
Action time	Immediately act		
Warning setting parameter	N/A		
Reset method	Cycle the power		
Reset condition	N/A		
Record	N/A		
Cause	Corrective Actions		
The 5V power that the drive provides to the communication card is too low	<ol style="list-style-type: none"> 1. Use the same communication card for other MS300 drives to check if the ECLv warning still occurs. If yes, replace with a new communication card; if not, replace the drive. 2. Use another communication card to test if the ECLv warning still occurs on the same drive. If not, replace the card; if yes, replace the drive. 		
The card is loose	Make sure the communication card is well inserted.		

ID No.	Display on LCD Keypad	Warning Name	Description
72	ECLt	ExCom test mode (ECLt)	The communication card is in the test mode
Action and Reset			
Action level	The communication card is in the test mode		
Action time	Immediately act		
Warning setting parameter	N/A		
Reset method	Cycle the power and enter the normal mode		
Reset condition	N/A		
Record	N/A		

Cause	Corrective Actions
Communication command error	Cycle the power

ID No.	Display on LCD Keypad	Warning Name	Description
73	ECbF	ExCom Bus off (ECbF)	The communication card detects too many errors in the BUS, then enters the BUS-OFF status and stop communicating.
Action and Reset			
Action level		When the drive detects BUS-off (for DeviceNet)	
Action time		Immediately act	
Warning setting parameter		N/A	
Reset method		Cycle the power	
Reset condition		N/A	
Record		N/A	
Cause		Corrective Actions	
Poor connection of the cable		Re-connect the cable	
Bad quality of the cable		Replace the cable	

ID No.	Display on LCD Keypad	Warning Name	Description
74	ECnP	ExCom no power (ECnP)	There is no power supply of the DeviceNet
Action and Reset			
Action level		When there is no power supply of the DeviceNet	
Action time		Immediately act	
Warning setting parameter		N/A	
Reset method		Cycle the power	
Reset condition		N/A	
Record		N/A	
Cause		Corrective Actions	
The drive detects that DeviceNet has no power		Check if the cable and power is normal. If yes, return to the factory for repair.	

ID No.	Display on LCD Keypad	Warning Name	Description
75	ECFF	ExCom factory defect (ECFF)	Factory default setting error
Action and Reset			
Action level		Factory default setting error	
Action time		Immediately act	
Warning setting parameter		N/A	
Reset method		Cycle the power	
Reset condition		N/A	
Record		N/A	
Cause		Corrective Actions	
Factory default setting error		Use DCISoft to reset to the default value.	

ID No.	Display on LCD Keypad	Warning Name	Description
76	ECCF	ExCom inner error (ECiF)	Serious internal error
Action and Reset			
Action level		Internal memory saving error	
Action time		Immediately act	
Warning setting parameter		N/A	
Reset method		Cycle the power	
Reset condition		N/A	
Record		N/A	
Cause		Corrective Actions	
Noise interference		Verify the wiring of the control circuit, and the wiring/grounding of the main circuit to prevent interference. Cycle the power.	
The memory is broken		Reset to the default value and check if the error still exists. If yes, replace the communication card.	

ID No.	Display on LCD Keypad	Warning Name	Description
78	ECPP	ExCom Parameter data error (ECPP)	Profibus parameter data error
Action and Reset			
Action level		N/A	
Action time		N/A	
Warning setting parameter		N/A	
Reset method		Manual reset	
Reset condition		Immediately reset	
Record		N/A	
Cause		Corrective Actions	
Incorrect GSD file		Get the correct GSD file from the software	

ID No.	Display on LCD Keypad	Warning Name	Description
79	ECPI	ExCom configuration data error (ECPI)	Profibus configuration data error
Action and Reset			
Action level		N/A	
Action time		N/A	
Warning setting parameter		N/A	
Reset method		Manual reset	
Reset condition		Immediately reset	
Record		N/A	
Cause		Corrective Actions	
Incorrect GSD file		Get the correct GSD file from the software	

ID No.	Display on LCD Keypad	Warning Name	Description
80	ECEF	Ethernet link fail (ECEF)	The Ethernet cable is not connected
Action and Reset			
Action level		Hardware detection	
Action time		Immediately act	
Warning setting parameter		N/A	
Reset method		Manual reset	
Reset condition		N/A	
Record		N/A	
Cause		Corrective Actions	
The Ethernet cable is loose		Re-connect the cable	
Bad quality of the Ethernet cable		Replace the cable	

ID No.	Display on LCD Keypad	Warning Name	Description
81	ECto	Communication time-out (ECto)	Communication time-out for the communication card and the upper unit
Action and Reset			
Action level		N/A	
Action time		N/A	
Warning setting parameter		N/A	
Reset method		N/A	
Reset condition		CMC-EC01: auto-resets when the communication with the upper unit is back to normal	
Record		N/A	
Cause		Corrective Actions	
Communication card is not connected with the upper unit		Check if the connection of the communication cable is correct	
Communication error of the upper unit		Check if the communication of the upper unit is normal	

ID No.	Display on LCD Keypad	Warning Name	Description
82	ECCS	Checksum error (ECCS)	Checksum error for the communication card and the drive
Action and Reset			
Action level		Software detection	
Action time		N/A	
Warning setting parameter		N/A	
Reset method		Manual reset	
Reset condition		Immediately reset	
Record		N/A	
Cause		Corrective Actions	
Noise interference		Verify the wiring of the control circuit, and the wiring/grounding of the main circuit to prevent interference.	

ID No.	Display on LCD Keypad	Warning Name	Description
83	ECrF	Return defect (ECrF)	Communication card returns to the default setting
Action and Reset			
Action level		Communication card returns to the default setting	
Action time		N/A	
Warning setting parameter		N/A	
Reset method		Manual reset	
Reset condition		Immediately reset	
Record		N/A	
Cause		Corrective Actions	
Communication card is returning to default setting		No actions required.	

ID No.	Display on LCD Keypad	Warning Name	Description
84	ECo0	Modbus TCP over (ECo0)	Modbus TCP exceeds the maximum communication value
Action and Reset			
Action level		Hardware detection	
Action time		Immediately act	
Warning setting parameter		N/A	
Reset method		Manual reset	
Reset condition		Immediately reset	
Record		N/A	
Cause		Corrective Actions	
The Master communication value exceeds the allowable number of the communication cards		Decrease the Master communication value	
Connection occupied due to not disconnecting the Modbus TPC while the upper unit is connected without communicating.		Revise the program of the upper unit to disconnect the connection while the communication is not used for a long time.	
A new Modbus TCP connection is built whenever the upper unit is connected to the communication card, which causes connection occupied.		Revise the program of the upper unit to use the same Modbus TCP connection when connecting to the same communication card.	

ID No.	Display on LCD Keypad	Warning Name	Description
85	ECo1	EtherNet/IP over (ECo1)	Ethernet/IP exceeds the maximum communication value
Action and Reset			
Action level		Hardware detection	
Action time		Immediately act	
Warning setting parameter		N/A	
Reset method		Manual reset	
Reset condition		Immediately reset	
Record		N/A	

Cause	Corrective Actions
The Master communication value exceeds the allowable number of the communication cards	Decrease the Master communication value
Connection occupied due to not disconnecting the Modbus TPC while the upper unit is connected without communicating.	Revise the program of the upper unit to disconnect the connection while the communication is not used for a long time.
A new Modbus TCP connection is built whenever the upper unit is connected to the communication card, which causes connection occupied.	Revise the program of the upper unit to use the same Modbus TCP connection when connecting to the same communication card.

ID No.	Display on LCD Keypad	Warning Name	Description
86	ECiP	IP fail (ECiP)	IP setting error
Action and Reset			
Action level		Software detection	
Action time		Immediately act	
Warning setting parameter		N/A	
Reset method		Manual reset	
Reset condition		Immediately reset	
Record		N/A	
Cause		Corrective Actions	
IP conflict		Reset IP	
DHCP IP configuration error		Contact MIS to check if DHCP Server works normally	

ID No.	Display on LCD Keypad	Warning Name	Description
87	EC3F	Mail fail (EC3F)	Mail warning: Alarm mail is sent when the condition that the alarm set for the communication card was met.
Action and Reset			
Action level		When the condition that the alarm set for the communication card was met	
Action time		Immediately act	
Warning setting parameter		N/A	
Reset method		Manual reset	
Reset condition		Immediately reset	
Record		N/A	
Cause		Corrective Actions	
Communication card establishes alarm conditions		No actions required	

ID No.	Display on LCD Keypad	Warning Name	Description
88	ECbY	ExCom busy (ECbY)	Communication card busy: too many packets are received
Action and Reset			
Action level		Software detection	
Action time		N/A	
Warning setting parameter		N/A	
Reset method		Manual reset	
Reset condition		N/A	
Record		N/A	
Cause		Corrective Actions	
Too many communication packets for the communication card to process		Decrease communication packets	

ID No.	Display on LCD Keypad	Warning Name	Description
89	ECCb	ExCom card break (ECCb)	Communication card break off warning
Action and Reset			
Action level		Communication card break off	
Action time		N/A	
Warning setting parameter		N/A	
Reset method		Auto-resets after the communication card is re-installed	
Reset condition		Immediately reset	
Record		N/A	
Cause		Corrective Actions	
Communication card is loose		Re-install the communication card	

ID No.	Display on LCD Keypad	Warning Name	Description
90	CPLP	Copy PLC: password error (CPLP)	Copy PLC password error. When KPMS-LE01 is processing PLC copy and the PLC password is incorrect, the CPLP warning occurs.
Action and Reset			
Action level		PLC password is incorrect	
Action time		Immediately act	
Warning setting parameter		N/A	
Reset method		Manual reset	
Reset condition		Directly reset	
Record		N/A	
Cause		Corrective Actions	
PLC password is incorrect		Reset and enter the correct PLC password	

ID No.	Display on LCD Keypad	Warning Name	Description
91	CPL0	Copy PLC: Read mode error (CPL0)	Copy PLC read mode error
Action and Reset			
Action level		Incorrect process when copying the PLC read mode	
Action time		Immediately act	
Warning setting parameter		N/A	
Reset method		Manual reset	
Reset condition		Directly reset	
Record		N/A	
Cause		Corrective Actions	
Using incorrect process to copy the PLC read mode		Cycle the power and copy the PLC read mode again	

ID No.	Display on LCD Keypad	Warning Name	Description
92	CPL1	Copy PLC: Write mode error (CPL1)	Copy PLC write mode error
Action and Reset			
Action level		Incorrect process when copying the PLC write mode	
Action time		Immediately act	
Warning setting parameter		N/A	
Reset method		Manual reset	
Reset condition		Directly reset	
Record		N/A	
Cause		Corrective Actions	
Using incorrect process to copy the PLC write mode		Cycle the power and copy the PLC write mode again	

ID No.	Display on LCD Keypad	Warning Name	Description
93	CPLv	Copy PLC: version error (CPLv)	Copy PLC version error. When a non-MS300 built-in PLC is copied to the MS300 drive, the CPLv warning occurs.
Action and Reset			
Action level		Software detection	
Action time		Immediately act	
Warning setting parameter		N/A	
Reset method		Manual reset	
Reset condition		Directly reset	
Record		N/A	
Cause		Corrective Actions	
A non-MS300 PLC program is copied to MS300		Check if the copied PLC program is for MS300. Use the correct MS300 PLC program.	

ID No.	Display on LCD Keypad	Warning Name	Description
94	CPLS	Copy PLC: size error (CPLS)	Copy PLC capacity error
Action and Reset			
Action level		Software detection	
Action time		Immediately act	
Warning setting parameter		N/A	
Reset method		Manual reset	
Reset condition		Directly reset	
Record		N/A	
Cause		Corrective Actions	
The PLC program copied to MS300 exceeds the allowable capacity		Check if the copied PLC program is for MS300 Use the correct capacity for the MS300 PLC program	

ID No.	Display on LCD Keypad	Warning Name	Description
95	CPLF	Copy PLC: PLC function (CPLF)	KPMS-LE01 Copy PLC function must be executed when PLC is disabled.
Action and Reset			
Action level		Software detection	
Action time		Immediately act	
Warning setting parameter		N/A	
Reset method		Manual reset	
Reset condition		Directly reset	
Record		N/A	
Cause		Corrective Actions	
PLC function is enabled when KPMS-LE01 is running PLC copy		Disable the PLC function first, and then run the PLC copy function again.	

ID No.	Display on LCD Keypad	Warning Name	Description
96	CPLt	Copy PLC: time-out (CPLt)	Copy PLC time-out
Action and Reset			
Action level		Software detection	
Action time		Immediately act	
Warning setting parameter		N/A	
Reset method		Manual reset	
Reset condition		Directly reset	
Record		N/A	
Cause		Corrective Actions	
KPMS-LE01 is removed while copying the PLC program		The KPMS-LE01 cannot be removed during the PLC copy process	

ID No.	Display on LCD Keypad	Warning Name	Description
101		InrCOM time-out (ictn)	Internal communication time-out
Action and Reset			
Action level	When Pr.09-31= (-1) – (-10) (no -9) and the internal communication between Master and Slave is abnormal, the ictn warning occurs.		
Action time	Immediately act		
Warning setting parameter	N/A		
Reset method	Auto-reset		
Reset condition	The warning automatically clears when the communication is back to normal condition		
Record	N/A		
Cause	Corrective Actions		
Malfunction caused by interference	Verify the wiring and grounding of the communication circuit. It is recommended to separate the communication circuit from the main circuit, or wire in 90 degree for effective anti-interference performance.		
Different communication setting from the upper unit	Check if the setting for Pr.09-02 is the same as the setting for the upper unit		
Disconnection or bad connection of the cable	Check the cable and replace it if necessary.		

[This page intentionally left blank]

Chapter 14 Fault Codes

Digital Keypad KPMS-LE01



* : Refer to setting of Pr.06-17–Pr.06-22 and Pr.14-70–14-73.

ID*	Display on LCD Keypad	Fault Name	Fault Descriptions
1	ocA	Over-current during acceleration (ocA)	Output current exceeds three times of the rated current during acceleration. When ocA occurs, the drive closes the gate of the output immediately, the motor runs freely, and the display shows an ocA error.
Action and Reset			
	Action level	300% of the rated current	
	Action time	Immediately act	
	Fault treatment parameter	N/A	
	Reset method	Manual reset	
	Reset condition	Reset in five seconds after the fault is cleared	
	Record	Yes	
	Cause	Corrective Actions	
	Acceleration time is too short	1. Increase the acceleration time 2. Increase the acceleration time of S-curve 3. Set auto-acceleration and auto-deceleration parameter (Pr.01-44) 4. Set over-current stall prevention function (Pr.06-03) 5. Replace the drive with a larger capacity model.	
	Short circuit at motor output due to poor insulation wiring	Check the motor cable and remove causes of the short circuits, or replace the cable before turning on the power.	
	Check for possible burnout or aging insulation of the motor	Check the motor insulation value with megger. Replace the motor if the insulation is poor.	
	The load is too large.	Check if the output current during the whole working process exceeds the AC motor drive's rated current. If yes, replace the AC motor drive with a larger capacity model.	
	Impulsive change of the load	Reduce the load or increase the capacity of AC motor drive.	
	Use special motor or motor with larger capacity than the drive	Check the motor capacity (the rated current on the motor's nameplate should ≤ the rated current of the drive)	
	Use ON/OFF controller of an electromagnetic contactor at the output (U/V/W) of the drive	Check the action timing of the contactor and make sure it is not turned ON/OFF when the drive outputs the voltage.	

Cause	Corrective Actions
V/F curve setting error	Adjust the V/F curve setting and frequency/voltage. When the fault occurs, and the frequency voltage is too high, reduce the voltage.
Torque compensation is too large	Adjust the torque compensation (refer to Pr.07-26 torque compensation gain) until the output current reduces and the motor does not stall.
Malfunction caused by interference	Verify the wiring of the control circuit and the wiring/grounding of the main circuit to prevent interference.
The motor starts when in free run	Enable the speed tracking during start-up of Pr.07-12.
Improper parameter settings for the speed tracking function (including restart after momentary power loss and restart after fault)	Correct the parameter settings for speed tracking. 1. Start the speed tracking function. 2. Adjust the maximum current for Pr.07-09 speed tracking.
Incorrect combination of control mode and used motor	Check the settings for Pr.00-11 control mode: 1. For IM, Pr.00-11=0, 1, 2, 3, 5 2. For PM, Pr.00-11=4, 6, or 7
The length of motor cable is too long	Increase the AC motor drive's capacity. Install AC reactor(s) on the output side (U/V/W).
Hardware failure	The oca occurs due to the short circuit or ground fault at the output side of the drive. Check for possible short circuits between terminals with the electric meter: B1 corresponds to U, V and W; DC- corresponds to U, V and W; ⊕ corresponds to U, V and W. If short circuit occurs, return to the factory for repair.
Check if the setting for stall prevention is correct	Set the stall prevention to the proper value.

ID*	Display on LCD Keypad	Fault Name	Fault Descriptions
2	ocd	Over-current during deceleration (ocd)	Output current exceeds three times of the rated current during deceleration. When ocd occurs, the drive closes the gate of the output immediately, the motor runs freely, and the display shows an ocd error.
Action and Reset			
Action level		300% of the rated current	
Action time		Immediately act	
Fault treatment parameter		N/A	
Reset method		Manual reset	
Reset condition		Reset in five seconds after the fault is cleared	
Record		Yes	
Cause		Corrective Actions	
Deceleration time too short		<ol style="list-style-type: none"> Increase the deceleration time Increase the deceleration time of S-curve Set auto-acceleration and auto-deceleration parameter (Pr.01-44) Set over-current stall prevention function (Pr.06-03) Replace the drive with a larger capacity model 	
Check if the mechanical brake of the motor activates too early		Check the action timing of the mechanical brake	
Short-circuit at motor output due to poor insulation wiring		Check the motor cable and remove causes of the short circuits, or replace the cable before turning on the power.	

Check for possible burnout or aging insulation of the motor	Check the motor insulation value with megger. Replace the motor if the insulation is poor.
The load is too large	Check if the output current during the whole working process exceeds the AC motor drive's rated current. If yes, replace the AC motor drive with a larger capacity model.
Impulsive change of the load	Reduce the load or increase the capacity of AC motor drive.
Use special motor or motor with larger capacity than the drive	Check the motor capacity (the rated current on the motor's nameplate should \leq the rated current of the drive)
Use ON/OFF controller of an electromagnetic contactor at the output (U/V/W) of the drive	Check the action timing of the contactor and make sure it is not turned ON/OFF when the drive outputs the voltage.
V/F curve setting error	Adjust the V/F curve settings and frequency/voltage. When the fault occurs, and the frequency voltage is too high, reduce the voltage.
Torque compensation is too large	Adjust the torque compensation (refer to Pr.07-26 torque compensation gain) until the output current reduces and the motor does not stall.
Malfunction caused by interference	Verify the wiring of the control circuit and the wiring/grounding of the main circuit to prevent interference.
The length of motor cable is too long	Increase the AC motor drive's capacity Install AC reactor(s) on the output side (U/V/W)
Hardware error	The ocd occurs due to the short circuit or ground fault at the output side of the drive. Check for possible short circuits between terminals with the electric meter: B1 corresponds to U, V and W; DC- corresponds to U, V and W; \oplus corresponds to U, V and W. If short circuits occurs, return to the factory for repair.
Check if the setting of stall prevention is correct	Set the stall prevention to the proper value.

ID*	Display on LCD Keypad	Fault Name	Fault Descriptions
3	o c n	Over-current during steady operation (ocn)	Output current exceeds three times of the rated current during constant speed. When ocn occurs, the drive closes the gate of the output immediately, the motor runs freely, and the display shows an ocn error.
Action and Reset			
Action level		300% of the rated current	
Action time		Immediately act	
Fault treatment parameter		N/A	
Reset method		Manual reset	
Reset condition		Reset in five seconds after the fault is cleared	
Record		Yes	
Cause		Corrective Actions	
Short-circuit at motor output due to poor insulation wiring		Check the motor cable and remove causes of the short circuits, or replace the cable before turning on the power.	
Check for possible shaft lock, burnout or aging insulation of the motor		Troubleshoot the motor shaft lock. Check the motor insulation value with megger. Replace the motor if the insulation is poor.	
Impulsive change of the load		Reduce the load or increase the capacity of AC motor drive.	

Use special motor or motor with larger capacity than the drive	Check motor capacity (the rated current on the motor's nameplate should \leq the rated current of the drive)
Use ON/OFF controller of an electromagnetic contactor at the output (U/V/W) of the drive	Check the action timing of the contactor and make sure it is not turned ON/OFF when the drive outputs the voltage.
V/F curve setting error	Adjust the V/F curve settings and frequency/voltage. When the fault occurs, and the frequency voltage is too high, reduce the voltage.
Torque compensation is too large.	Adjust the torque compensation (refer to Pr.07-26 torque compensation gain) until the output current reduces and the motor does not stall.
Malfunction caused by interference	Verify the wiring of the control circuit and the wiring/grounding of the main circuit to prevent interference.
The length of motor cable is too long	Increase the AC motor drive's capacity. Install AC reactor(s) on the output side (U/V/W).
Hardware failure	The ocn occurs due to the short circuit or ground fault at the output side of the drive. Check for possible short circuit between terminals with the electric meter: B1 corresponds to U, V and W; DC- corresponds to U, V, and W; \oplus corresponds to U, V, and W. If short circuits occurs, return to the factory for repair.

ID*	Display on LCD Keypad	Fault Name	Fault Descriptions
4	GFF	Ground fault (GFF)	When the drive detects grounding short circuit on the output terminals (U/V/W), the drive closes the gate of the output immediately, the motor runs freely, and the display shows a GFF error.
Action and Reset			
Action level		N/A	
Action time		N/A	
Fault treatment parameter		N/A	
Reset method		Manual reset	
Reset condition		Reset in five seconds after the fault is cleared	
Record		Yes	
Cause		Corrective Actions	
Motor burnout or aging insulation occurred		Check the motor insulation value with megger. Replace the motor if the insulation is poor.	
Short circuit due to broken cable		Troubleshoot the short circuit. Replace the cable.	
Larger stray capacitance of the cable and terminal \oplus		If the motor cable length exceeds 100 m, decrease the setting value for the carrier frequency. Take remedies to reduce stray capacitance.	
Malfunction caused by interference		Verify the grounding and wiring of the communication circuit. It is recommended to separate the communication circuit from the main circuit, or wire in 90 degree for effective anti-interference performance.	
Hardware failure		Cycle the power after checking the status of motor, cable and cable length. If GFF still exists, return to the factory for repair.	
Over-current at constant speed		Refer to the corrective actions for ocn.	
Over-current during acceleration		Refer to the corrective actions for oca.	
Over-current during deceleration		Refer to the corrective actions for ocd.	

ID*	Display on LCD Keypad	Fault Name	Fault Descriptions
6	ocS	Over-current at stop (ocS)	Over-current or hardware failure in current detection at stop. Cycle the power after ocS occurs. If the hardware failure occurs, the display shows cd1, cd2 or cd3.
Action and Reset			
Action level		300% of the rated current	
Action time		Immediately act	
Fault treatment parameter		N/A	
Reset method		Manual reset	
Reset condition		Reset in five seconds after the fault is cleared	
Record		Yes	
Cause		Corrective Actions	
Malfunction caused by interference		Verify the wiring of the control circuit and the wiring/grounding of the main circuit to prevent interference.	
Hardware failure		Check if other error codes such as cd1–cd3 occur after cycling the power. If yes, return to the factory for repair.	

ID*	Display on LCD Keypad	Fault Name	Fault Descriptions
7	ovA	Over-voltage during acceleration (ovA)	DC bus over-voltage during acceleration. When ovA occurs, the drive closes the gate of the output, the motor runs freely, and the display shows an ovA error.
Action and Reset			
Action level		230V series: 410 V _{DC} 460V series: 820 V _{DC} 575V series: 1116 V _{DC}	
Action time		Immediately act when the DC bus voltage is higher than the level	
Fault treatment parameter		N/A	
Reset method		Manual reset	
Reset condition		Reset only when the DC bus voltage is lower than 90% of the over-voltage level	
Record		Yes	
Cause		Corrective Actions	
Acceleration is too slow (e.g. when lifting load decreases acceleration time)		Decrease the acceleration time Use a braking unit or DC bus Replace the drive with a larger capacity model.	
The setting for stall prevention level is smaller than no-load current		The setting for the stall prevention level should be larger than no-load current	
Power voltage is too high		Check if the input voltage is within the rated AC motor drive input voltage range, and check for possible voltage spikes.	
ON/OFF switch action of phase-in capacitor in the same power system		If the phase-in capacitor or active power supply unit acts in the same power system, the input voltage may surge abnormally in a short time. In this case, install an AC reactor.	
Regenerative voltage of motor inertia		Use over-voltage stall prevention function (Pr.06-01) Use auto-acceleration and auto-deceleration setting (Pr.01-44) Use a braking unit or DC bus	

Acceleration time is too short	<p>Check if the over-voltage warning occurs after acceleration stops. When the warning occurs, do the following:</p> <ol style="list-style-type: none"> 1. Increase the acceleration time 2. Set Pr.06-01 over-voltage stall prevention 3. Increase the setting value for Pr.01-25 S-curve acceleration arrival time 2
Motor ground fault	<p>The ground short circuit current charges the capacitor in the main circuit through the power. Check if there is ground fault on the motor cable, wiring box and its internal terminals. Troubleshoot the ground fault.</p>
Incorrect wiring of brake resistor or brake unit	Check the wiring of the brake resistor and braking unit.
Malfunction caused by interference	Verify the wiring of the control circuit and the wiring/grounding of the main circuit to prevent interference.

ID*	Display on LCD Keypad	Fault Name	Fault Descriptions
8	o \bar{v} d	Over-voltage during deceleration (ovd)	DC bus over-voltage during deceleration. When ovd occurs, the drive closes the gate of the output immediately, the motor runs freely, and the display shows an ovd error.
Action and Reset			
Action level		230V series: 410 V _{DC} 460V series: 820 V _{DC} 575V series: 1116 V _{DC}	
Action time		Immediately act when the DC bus voltage is higher than the level	
Fault treatment parameter		N/A	
Reset method		Manual reset	
Reset condition		Reset only when the DC bus voltage is lower than 90% of the over-voltage level	
Record		Yes	
Cause		Corrective Actions	
Deceleration time is too short, causing too large regenerative energy of the load		<ol style="list-style-type: none"> 1. Increase the setting value of Pr.01-13, Pr.01-15, Pr.01-17 and Pr.01-19 (deceleration time) 2. Connect the brake resistor, braking unit or DC bus on the drive. 3. Reduce the brake frequency. 4. Replace the drive with a larger capacity model. 5. Use S-curve acceleration/deceleration. 6. Use over-voltage stall prevention (Pr.06-01). 7. Use auto-acceleration and auto-deceleration (Pr.01-44). 8. Adjust the braking level (Pr.07-01 or the bolt position of the brake unit). 	
The setting for stall prevention level is smaller than no-load current		The setting for the stall prevention level should be larger than no-load current	
Power voltage is too high		Check if the input voltage is within the rated AC motor drive input voltage range, and check for possible voltage spikes.	
ON/OFF switch action of phase-in capacitor in the same power system		If the phase-in capacitor or active power supply unit acts in the same power system, the input voltage may surge abnormally in a short time. In this case, install an AC reactor.	


Motor ground fault	The ground short circuit current charges the capacitor in the main circuit through the power. Check if there is ground fault on the motor cable, wiring box and its internal terminals. Troubleshoot the ground fault.
Incorrect wiring of brake resistor or brake unit	Check the wiring of the brake resistor or braking unit.
Malfunction caused by interference	Verify the wiring of the control circuit and the wiring/grounding of the main circuit to prevent interference.


ID*	Display on LCD Keypad	Fault Name	Fault Descriptions
9		Over-voltage during constant speed (ovn)	DC bus over-voltage at constant speed. When ovn occurs, the drive closes the gate of the output immediately, the motor runs freely, and the display shows an ovn error.
Action and Reset			
Action level	230V series: 410 V _{DC} 460V series: 820 V _{DC} 575V series: 1116 V _{DC}		
Action time	Immediately act when the DC bus voltage is higher than the level		
Fault treatment parameter	N/A		
Reset method	Manual reset		
Reset condition	Reset only when the DC bus voltage is lower than 90% of the over-voltage level		
Record	Yes		
Cause	Corrective Actions		
Impulsive change of the load	<ol style="list-style-type: none"> 1. Connect the brake resistor, braking unit or DC bus to the drive. 2. Reduce the load. 3. Replace the drive with a larger capacity model. 4. Adjust the braking level (Pr.07-01 or bolt position of the brake unit). 		
The setting for stall prevention level is smaller than no-load current	The setting of the stall prevention level should be larger than no-load current		
Regenerative voltage of motor inertia	Use over-voltage stall prevention function (Pr.06-01) Use a braking unit or DC bus		
Power voltage is too high	Check if the input voltage is within the rated AC motor drive input voltage range, and check for possible voltage spikes.		
ON/OFF switch action of phase-in capacitor in the same power system	If the phase-in capacitor or active power supply unit acts in the same power system, the input voltage may surge abnormally in a short time. In this case, install an AC reactor.		
Motor ground fault	The ground short circuit current charges the capacitor in the main circuit through the power. Check if there is ground fault on the motor cable, wiring box and its internal terminals. Troubleshoot the ground fault.		
Incorrect wiring of brake resistor or brake unit	Check the wiring of the brake resistor or braking unit.		
Malfunction caused by interference	Verify the wiring of the control circuit and the wiring/grounding of the main circuit to prevent interference.		

ID*	Display on LCD Keypad	Fault Name	Fault Descriptions
10	oVS	Over-voltage at stop (ovS)	Over-voltage at stop
Action and Reset			
Action level	230V series: 410 V _{DC} 460V series: 820 V _{DC} 575V series: 1116 V _{DC}		
Action time	Immediately act when the DC bus voltage is higher than the level		
Fault treatment parameter	N/A		
Reset method	Manual reset		
Reset condition	Reset only when the DC bus voltage is lower than 90% of the over-voltage level		
Record	Yes		
Cause	Corrective Actions		
Power voltage is too high	Check if the input voltage is within the rated AC motor drive input voltage range, and check for possible voltage spikes.		
ON/OFF switch action of phase-in capacitor in the same power system	If the phase-in capacitor or active power supply unit activates in the same power system, the input voltage may surge abnormally in a short time. In this case, install an AC reactor.		
Incorrect wiring of brake resistor or brake unit	Check the wiring of the brake resistor or braking unit.		
Malfunction caused by interference	Verify the wiring of the control circuit and the wiring/grounding of the main circuit to prevent interference.		
Hardware failure in voltage detection	Check if other error codes such as cd1–cd3 occur after cycling the power. If yes, return to the factory for repair.		
Motor ground fault	The ground short circuit current charges the capacitor in the main circuit through the power. Check if there is ground fault on the motor cable, wiring box and its internal terminals. Troubleshoot the ground fault.		

ID*	Display on LCD Keypad	Fault Name	Fault Descriptions
11	LvA	Low-voltage during acceleration (LvA)	DC bus voltage is lower than Pr.06-00 setting value during acceleration
Action and Reset			
Action level	Pr.06-00 (Default = depending on the model)		
Action time	Immediately act when the DC bus voltage is lower than Pr.06-00		
Fault treatment parameter	N/A		
Reset method	Manual reset		
Reset condition	Reset when the DC bus voltage is higher than Pr.06-00 + 30 V		
Record	Yes		
Cause	Corrective Actions		
Power-off	Improve power supply condition.		
Power voltage changes	Adjust voltage to the power range of the drive		
Start up the motor with large capacity	Check the power system. Increase the capacity of power equipment.		
The load is too large	Reduce the load. Increase the drive capacity. Increase the acceleration time.		

DC bus	Install DC reactor(s).
Check if there is short circuit plate or any DC reactor installed between terminal +1 and +2	Connect short circuit plate or DC reactor between terminal +1 and +2. If the error still exists, return to the factory for repair.

ID*	Display on LCD Keypad	Fault Name	Fault Descriptions
12		Low-voltage during deceleration (Lvd)	DC bus voltage is lower than Pr.06-00 setting value during deceleration
Action and Reset			
Action level		Pr.06-00 (Default = depending on the model)	
Action time		Immediately act when the DC bus voltage is lower than Pr.06-00	
Fault treatment parameter		NA	
Reset method		Manual reset	
Reset condition		Reset when the DC bus voltage is higher than Pr.06-00 + 30 V	
Record		Yes	
Cause		Corrective Actions	
Power-off		Improve power supply condition.	
Power voltage changes		Adjust voltage to the power range of the drive.	
Start up the motor with large capacity		Check the power system. Increase the capacity of power equipment.	
Sudden load		Reduce the load. Increase the drive capacity.	
DC bus		Install DC reactor(s).	

ID*	Display on LCD Keypad	Fault Name	Fault Descriptions
13		Low-voltage at constant speed (Lvn)	DC bus voltage is lower than Pr.06-00 setting value at constant speed
Action and Reset			
Action level		Pr.06-00 (Default = depending on the model)	
Action time		Immediately act when the DC bus voltage is lower than Pr.06-00	
Fault treatment parameter		NA	
Reset method		Manual reset	
Reset condition		Reset when the DC bus voltage is higher than Pr.06-00 + 30 V	
Record		Yes	
Cause		Corrective Actions	
Power-off		Improve power supply condition.	
Power voltage changes		Adjust voltage to the power range of the drive	
Start up the motor with large capacity		Check the power system. Increase the capacity of power equipment.	
Sudden load		Reduce the load. Increase the drive capacity.	
DC bus		Install DC reactor(s).	

ID*	Display on LCD Keypad	Fault Name	Fault Descriptions
14	LvS	Low-voltage at stop (LvS)	1. DC bus voltage is lower than Pr.06-00 setting value at stop 2. Hardware failure in voltage detection
Action and Reset			
Action level	Pr.06-00 (Default = depending on the model)		
Action time	Immediately act when the DC bus voltage is lower than Pr.06-00		
Fault treatment parameter	N/A		
Reset method	Manual / Auto: 230V series: Lv level + 30 V _{DC} + 500 ms 460V series: Lv level + 60 V _{DC} + 500 ms 575V series: Lv level + 75 V _{DC} + 500 ms		
Reset condition	500 ms		
Record	Yes		
Cause	Corrective Actions		
Power-off	Improve power supply condition.		
Incorrect drive models	Check if the power specification matches the drive.		
Power voltage changes	Adjust voltage to the power range of the drive. Cycle the power after checking the power. If LvS error still exists, return to the factory for repair.		
Start up the motor with large capacity	Check the power system. Increase the capacity of power equipment.		
DC bus	Install DC reactor(s).		

ID*	Display on LCD Keypad	Fault Name	Fault Descriptions
15	orP	Phase loss protection (orP)	Phase loss of power input
Action and Reset			
Action level	When DC bus ripple is higher than the protection level, and the output current exceeds 50% of the rated current, the drive starts counting. When the counting value reaches the upper limit, an orP error occurs.		
Action time	The action time varies with different output current.		
Fault treatment parameter	Pr.06-53		
Reset method	Manual reset		
Reset condition	Immediately reset when DC bus is higher than Pr.07-00		
Record	Yes		
Cause	Corrective Actions		
Phase loss of input power	Correctly install the wiring of the main circuit power.		
Single phase power input to three-phase model	Choose the model whose power matches the voltage.		
Power voltage changes	If the main circuit power works normally, verify the main circuit. Cycle the power after checking the power, if orP error still exists, return to the factory for repair.		
Loose wiring terminal of input power	Tighten the terminal screws according to the torque described in the user manual.		
The input cable of three-phase power is cut off	Wire correctly. Replace the cut off cable.		
Input power voltage changes too much	Verify the setting value for Pr.06-50 Time for Input Phase Loss Detection and Pr.06-52 Ripple of Input Phase Loss		

Unbalanced three-phase of input power	Check the power three-phase status.
---------------------------------------	-------------------------------------

ID*	Display on LCD Keypad	Fault Name	Fault Descriptions
16	oH1	IGBT overheating (oH1)	IGBT temperature exceeds the protection level.
Action and Reset			
Action level	Depending on the model power, refer to Table 1 below. When the setting for Pr.06-15 is higher than the oH1 level, oH1 error occurs instead of oH1 warning. An IGBT overheating error occurs, and the drive stops.		
Fault treatment parameter	N/A		
Reset method	Manual reset		
Reset condition	Reset only when IGBT temperature is lower than oH1 error level minus (-) 10°C		
Record	Yes		
Cause	Corrective Actions		
Check if the ambient temperature or temperature inside the control cabinet is too high, or if there is obstruction in the ventilation hole of the control cabinet.	<ol style="list-style-type: none"> 1. Check ambient temperature. 2. Regularly inspect the ventilation hole of the control cabinet. 3. Change the installed place if there are heating objects, such as brake resistors, in the surroundings. 4. Install/ add cooling fan or air conditioner to lower the temperature inside the cabinet. 		
Check if there is any obstruction on the heat sink or if the fan is running.	Remove the obstruction or replace the cooling fan.		
Insufficient ventilation space	Increase ventilation space of the drive.		
Check if the drive matches the corresponding load	<ol style="list-style-type: none"> 1. Reduce the load 2. Reduce the carrier wave 3. Replace the drive with a larger capacity model. 		
The drive has run 100% or more than 100% of the rated output for a long time	Replace the drive with a larger capacity model.		

Table 1

Voltage	Model (Note: x = A or E)	OH1 (°C)	Default for Pr.06-15 (°C)
Single-phase_115V	VFD1A6MS11x□□A□	95	90
	VFD2A5MS11x□□A□	95	90
	VFD4A8MS11x□□A□	100	95
Single-phase_230V	VFD1A6MS21x□□A□	110	105
	VFD2A8MS21x□□A□	100	95
	VFD4A8MS21x□□A□	110	105
	VFD7A5MS21x□□A□	105	100
	VFD11AMS21x□□A□	115	110
Three-phase_230V	VFD1A6MS23x□□A□	100	95
	VFD2A8MS23x□□A□	100	95
	VFD4A8MS23x□□A□	105	100

Chapter 14 Fault Codes MS300

Voltage	Model (Note: x = A or E)	OH1 (°C)	Default for Pr.06-15 (°C)
Three-phase_230V	VFD7A5MS23x□□A□	105	100
	VFD11AMS23x□□A□	95	90
	VFD17AMS23x□□A□	105	100
	VFD25AMS23x□□A□	115	110
	VFD33AMS23x□□A□	115	110
	VFD49AMS23x□□A□	115	110
	VFD65AMS23x□□A□	115	110
Three-phase_460V	VFD1A5MS43x□□A□	105	100
	VFD2A7MS43x□□A□	115	110
	VFD4A2MS43x□□A□	105	100
	VFD5A5MS43x□□A□	95	90
	VFD7A3MS43x□□A□	100	95
	VFD9A0MS43x□□A□	115	110
	VFD13AMS43x□□A□	105	100
	VFD17AMS43x□□A□	115	110
	VFD25AMS43x□□A□	115	110
	VFD32AMS43x□□A□	115	110
	VFD38AMS43x□□A□	110	105
	VFD45AMS43x□□A□	115	110

ID*	Display on LCD Keypad	Fault Name	Fault Descriptions
18	th1o	IGBT temperature detection failure (th1o)	IGBT hardware failure in temperature detection
Action and Reset			
Action level		NTC broken or wiring failure	
Action time		When the IGBT temperature is higher than the protection level, and detection time exceeds 100 ms, the th1o protection activates.	
Fault treatment parameter		N/A	
Reset method		Manual reset	
Reset condition		Immediately reset	
Record		Yes	
Cause		Corrective Actions	
Hardware failure		Wait for 10 minutes, and then cycle the power. Check if th1o protection still exists. If yes, return to the factory for repair.	

ID*	Display on LCD Keypad	Fault Name	Fault Descriptions
21	oL	Over load (oL)	<p>The AC motor drive detects excessive drive output current.</p> <p>Overload capacity:</p> <ul style="list-style-type: none"> Normal duty: <ul style="list-style-type: none"> Sustains for one minute when the drive outputs 120% of the drive's rated output current. Sustains for three seconds when the drive outputs 150% of the drive's rated output current. Heavy duty: <ul style="list-style-type: none"> Sustains for one minute when the drive outputs 150% of the drive's rated output current. Sustains for three seconds when the drive outputs 200% of the drive's rated output current.
Action and Reset			
Action level		Based on overload curve and derating curve (refer to Section 9-7).	
Action time		When the load is higher than the protection level and exceeds allowable time, the oL protection activates.	
Fault treatment parameter		N/A	
Reset method		Manual reset	
Reset condition		Reset in five seconds after the fault is cleared	
Record		Yes	
Cause		Corrective Actions	
The load is too large		Reduce the load	
Accel./Decel. time or the working cycle are too short		Increase the setting value for Pr.01-12-01-19 (accel./decel. time)	
V/F voltage is too high		Adjust the settings for Pr.01-01-01-08 (V/F curve), especially the setting value for the mid-point voltage (if the mid-point voltage is set too low, the load capacity decreases at low speed). Refer to the V/F curve selection of Pr.01-43.	
The capacity of the drive is too small		Replace the drive with a larger capacity model.	
Overload during low-speed operation		Reduce the load during low-speed operation. Increase the drive capacity. Decrease the carrier frequency of Pr.00-17.	
Torque compensation is too large		Adjust the torque compensation (refer to Pr.07-26 Torque Compensation Gain) until the output current reduces and the motor does not stall.	
Check if the setting for stall prevention is correct.		Set the stall prevention to the proper value.	
Output phase loss		Check the status of three-phase motor. Check if the cable is broken or the screws are loose.	
Improper parameter settings for the speed tracking function (including restart after momentary power loss and restart after fault)		Correct the parameter settings for speed tracking. <ol style="list-style-type: none"> Start the speed tracking function. Adjust the maximum current for Pr.07-09 speed tracking. 	

ID*	Display on LCD Keypad	Fault Name	Fault Descriptions
22	EoL1	Electronics thermal relay 1 protection (EoL1)	Electronics thermal relay 1 protection. The drive coasts to stop once it activates.
Action and Reset			
Action level		Start counting when the output current > 150% of the motor 1 rated current	
Action time		Pr.06-14 (If the output current is larger than 105% of the motor 1 rated current again within 60 sec., the counting time reduces and is less than Pr.06-14)	
Fault treatment parameter		N/A	
Reset method		Manual reset	
Reset condition		Reset in five seconds after the fault is cleared	
Record		Yes	
Cause		Corrective Actions	
The load is too large		Reduce the load.	
Accel./Decel. time or the working cycle is too short		Increase the setting values for Pr.01-12-01-19 (accel./decel. time)	
V/F voltage is too high		Adjust the settings for Pr.01-01-01-08 (V/F curve), especially the setting value for the mid-point voltage (if the mid-point voltage is set too low, the load capacity decreases at low speed). Refer to the V/F curve selection of Pr.01-43.	
Overload during low-speed operation. When using a general motor, even it operates below rated current, an overload may still occur during low-speed operation.		Decrease low-speed operation time. Replace the drive with a dedicated to VFD model. Increase the motor capacity.	
When using VFD dedicated motors, Pr.06-13=0 (electronic thermal relay selection motor 1 = inverter motor)		Pr.06-13=1 electronic thermal relay selection motor 1 = standard motor (motor with fan on the shaft).	
Incorrect value of electronic thermal relay		Reset to the correct motor rated current.	
The maximum motor frequency is set too low		Reset to the correct motor rated frequency.	
One drive to multiple motors		Set Pr.06-13=2 electronic thermal relay selection motor 1= disable, and install thermal relay on each motor.	
Check if the setting for stall prevention is correct.		Set the stall prevention to the proper value.	
Torque compensation is too large		Adjust the torque compensation (refer to Pr.07-26 torque compensation gain) until the current reduces and the motor does no stall.	
Motor fan error		Check the status of the fan, or replace the fan.	
Unbalanced three-phase impedance of the motor		Replace the motor.	


ID*	Display on LCD Keypad	Fault Name	Fault Descriptions
23	EoL2	Electronic thermal relay 2 protection (EoL2)	Electronic thermal relay 2 protection. The drive coasts to stop once it activates.
Action and Reset			
Action level		Start counting when the output current > 150% of the motor 2 rated current	
Action time		Pr.06-28 (If the output current is larger than 105% of the motor 2 rated current again within 60 sec., the counting time reduces and is less than Pr.06-28)	
Fault treatment parameter		N/A	
Reset method		Manual reset	
Reset condition		Reset in five seconds after the fault is cleared	
Record		Yes	
Cause		Corrective Actions	
The load is too large		Reduce the load	
Accel./Decel. time or the working cycle are too short		Increase the setting values for Pr.01-12-01-19 (accel./decel. time)	
V/F voltage is too high		Adjust the settings for Pr.01-35-01-42 (V/F curve), especially the setting value for the mid-point voltage (if the mid-point voltage is set too low, the load capacity decreases at low speed). Refer to the V/F curve selection setting of Pr.01-43.	
Overload during low-speed operation. When using general motor, even it operates below rated current, an overload may still occur during low-speed operation.		Decrease low-speed operation time. Replace the drive with a dedicated VFD model. Increase the motor capacity.	
When using VFD dedicated motors, Pr.06-27=0 (electronic thermal relay selection motor 2 = 0 inverter motor)		Pr.06-27=1 Electronic thermal relay selection motor 2 = standard motor (motor with fan on the shaft).	
Incorrect value of electronic thermal relay		Reset to the correct motor rated current.	
The maximum motor frequency is set too low		Reset to the correct motor rated frequency.	
One drive to multiple motors		Set Pr.06-27=2 Electronic thermal relay selection motor 2 = disable, and install thermal relay on each motor.	
Check if the setting for stall prevention is correct.		Set the stall prevention to the proper value.	
Torque compensation is too large		Adjust the torque compensation (refer to Pr.07-71 torque compensation gain) until the current reduces and the motor does no stall.	
Motor fan error		Check the status of the fan, or replace the fan.	
Unbalanced three-phase impedance of the motor		Replace the motor.	

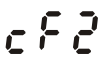
ID*	Display on LCD Keypad	Fault Name	Fault Descriptions
24_1	oH3	Motor overheating (oH3) PTC	Motor overheating (PTC) (Pr.03-00–Pr.03-01=6 PTC), when PTC input > Pr.06-30, the fault treatment acts according to Pr.06-29.
Action and Reset			
Action level	PTC input value > Pr.06-30 setting (Default = 50%)		
Action time	Immediately act		
Fault treatment parameter	Pr.06-29 0: Warn and continue operation 1: Fault and ramp to stop 2: Fault and coast to stop 3: No warning		
Reset method	When Pr.06-29=0, oH3 is a “Warning”. The “Warning” is automatically cleared. When Pr.06-29=1 or 2, oH3 is a “Fault”. You must reset manually.		
Reset condition	Immediately reset		
Record	When Pr.06-29=1 or 2, oH3 is a “Fault”, and the fault is recorded.		
Cause	Corrective Actions		
Motor shaft lock	Remove the shaft lock.		
The load is too large	Reduce the load. Increase the motor capacity.		
Ambient temperature is too high	Change the installed place if there are heating devices in the surroundings. Install/ add cooling fan or air conditioner to lower the ambient temperature.		
Motor cooling system error	Check the cooling system to make it work normally.		
Motor fan error	Replace the fan.		
Operate at low-speed too long.	Decrease low-speed operation time. Replace the motor with a dedicated to VFD model. Increase the motor capacity.		
Accel./Decel. time and working cycle are too short	Increase the setting values for Pr.01-12–01-19 (accel./decel. time)		
V/F voltage is too high	Adjust settings for Pr.01-01–01-08 (V/F curve), especially the setting value for the mid-point voltage (if the mid-point voltage is set too low, the load capacity decreases at low speed).		
Check if the motor rated current matches that on the motor nameplate.	Reset to the correct motor rated current.		
Check if the PTC is properly set and wired.	Check the connection between PTC thermistor and the heat protection.		
Check if the setting for stall prevention is correct.	Set the stall prevention to the proper value.		
Unbalanced three-phase impedance of the motor	Replace the motor.		
Harmonics are too high.	Use remedies to reduce harmonics.		

ID*	Display on LCD Keypad	Fault Name	Fault Descriptions
24_2	oH3	Motor overheating (oH3) PT100	Motor overheating (PT100) (Pr.03-00–Pr.03-01=11 PT100). When PT100 input > Pr.06-57 (default = 7 V), the fault treatment acts according to Pr.06-29.
Action and Reset			
Action level		PT100 input value > Pr.06-57 setting (default = 7 V)	
Action time		Immediately act	
Fault treatment parameter		Pr.06-29 0: Warn and continue operation 1: Fault and ramp to stop 2: Fault and coast to stop 3: No warning	
Reset method		When Pr.06-29=0 and the temperature < Pr.06-56, oH3 is automatically cleared. When Pr.06-29=1 or 2, oH3 is a "Fault". You must reset manually.	
Reset condition		Immediately reset	
Record		When Pr.06-29=1 or 2, oH3 is a "Fault", and the fault is recorded.	
Cause		Corrective Actions	
Motor shaft lock		Remove the shaft lock.	
The load is too large		Reduce the load. Increase the motor capacity.	
Ambient temperature is too high		Change the installed place If there are heating devices in the surroundings. Install/ add cooling fan or air conditioner to lower the ambient temperature.	
Motor cooling system error		Check the cooling system to make it work normally.	
Motor fan error		Replace the fan.	
Operate at low-speed too long		Decrease low-speed operation time. Replace the motor with a dedicated to VFD model. Increase the motor capacity.	
Accel./Decel. time and working cycle are too short		Increase the setting values for Pr.01-12–Pr.01-19 (accel./decel. time)	
V/F voltage is too high		Adjust settings for Pr.01-01–01-08 (V/F curve), especially the setting value for the mid-point voltage (if the mid-point voltage is set too low, the load capacity decreases at low speed).	
Check if the motor rated current matches that on the motor nameplate.		Reset to the correct motor rated current.	
Check if the PT100 is properly set and wired.		Check connection of PT100 thermistor.	
Check if the setting for stall prevention is correct.		Set the stall prevention to the proper value.	
Unbalanced three-phase impedance of the motor		Replace the motor.	
Harmonics are too high		Use remedies to reduce harmonics.	

ID*	Display on LCD Keypad	Fault Name	Fault Descriptions
26	ot 1	Over torque 1 (ot1)	When the output current exceeds the over-torque detection level (Pr.06-07) and exceeds over-torque detection time (Pr.06-08), and when Pr.06-06 or Pr.06-09 is set to 2 or 4, the ot1 error displays.
Action and Reset			
Action level		Pr.06-07	
Action time		Pr.06-08	
Fault treatment parameter		Pr.06-06 0: No function 1: Continue operation after over-torque detection during constant speed operation 2: Stop after over-torque detection during constant speed operation 3: Continue operation after over-torque detection during RUN 4: Stop after over-torque detection during RUN	
Reset method Reset condition		Auto	When Pr.06-06=1 or 3, ot1 is a "Warning". The warning is automatically cleared when the output current < (Pr.06-07 – 5%)
		Manual	When Pr.06-06=2 or 4, ot1 is a "Fault". You must reset manually.
Record		Immediately reset	
Active level		When Pr.06-06=2 or 4, ot1 is a "Fault", and the fault is recorded.	
Cause		Corrective Actions	
Incorrect parameter setting		Configure the settings for Pr.06-07 and Pr.06-08 again.	
Mechanical failure (e.g. over-torque, mechanical lock)		Remove the causes of malfunction.	
The load is too large		Reduce the load. Replace the motor with a larger capacity model.	
Accel./Decel. time and working cycle are too short		Increase the setting values for Pr.01-12–Pr.01-19 (accel./decel. time)	
V/F voltage is too high		Adjust the V/F curve (Motor 1, Pr.01-01–01-08), especially the setting value for the mid-point voltage (if the mid-point voltage is set too low, the load capacity decreases at low speed).	
The motor capacity is too small		Replace the motor with a larger capacity model.	
Overload during low-speed operation		Decrease low-speed operation time. Increase the motor capacity.	
Torque compensation is too large		Adjust the torque compensation (refer to Pr.07-26 torque compensation gain) until the current reduces and the motor does no stall.	
Improper parameter settings for speed tracking function (including restart after momentary power loss and restart after fault)		Correct the parameter settings for speed tracking. 1. Start the speed tracking function. 2. Adjust the maximum current for Pr.07-09 speed tracking.	

ID*	Display on LCD Keypad	Fault Name	Fault Descriptions
27	ot2	Over torque 2 (ot2)	When the output current exceeds the over-torque detection level (Pr.06-10) and exceeds over-torque detection time (Pr.06-11), and when Pr.06-09 is set to 2 or 4, the ot2 error displays.
Action and Reset			
Action level		Pr.06-10	
Action time		Pr.06-11	
Fault treatment parameter		Pr.06-09 0: No function 1: Continue operation after over-torque detection during constant speed operation 2: Stop after over-torque detection during constant speed operation 3: Continue operation after over-torque detection during RUN 4: Stop after over-torque detection during RUN	
Reset method Reset condition		Auto	When Pr.06-09=1 or 3, ot2 is a "Warning". The warning is automatically cleared when the output current < (Pr.06-10 – 5%).
		Manual	When Pr.06-09=2 or 4, ot2 is a "Fault". You must reset manually.
Record		Immediately reset	
Active level		When Pr.06-09=2 or 4, ot2 is a "Fault", and the fault is recorded.	
Cause		Corrective Actions	
Incorrect parameter setting		Configure the settings for Pr.06-10 and Pr.06-11 again.	
Mechanical failure (e.g. over-torque, mechanical lock)		Remove the causes of malfunction.	
The load is too large.		Reduce the load. Replace the motor with a larger capacity model.	
Accel./Decel. time and working cycle are too short		Increase the setting values for Pr.01-12–01-19 (accel./decel. time).	
V/F voltage is too high		Adjust the V/F curve (Motor 2, Pr.01-35–01-42), especially the setting value for the mid-point voltage (if the mid-point voltage is set too low, the load capacity decreases at low speed).	
The motor capacity is too small		Replace the motor with a larger capacity model.	
Overload during low-speed operation		Decrease low-speed operation time. Increase the motor capacity.	
Torque compensation is too large		Adjust the torque compensation (refer to Pr.07-71 torque compensation gain) until the current reduces and the motor does no stall.	
Improper parameter settings for speed tracking function (including restart at momentary power loss and restart after fault)		Correct the parameter settings for speed tracking. 1. Start the speed tracking function. 2. Adjust the maximum current for Pr.07-09 speed tracking.	

ID*	Display on LCD Keypad	Fault Name	Fault Descriptions
28		Under current (uC)	Low current detection
Action and Reset			
Action level	Pr.06-71		
Action time	Pr.06-72		
Fault treatment parameter	Pr.06-73 0: No function 1: Fault and coast to stop 2: Fault and ramp to stop by the 2 nd deceleration time 3: Warn and continue operation		
Reset method Reset condition	Auto	When Pr.06-73=3, uC is a "Warning". The warning is automatically cleared when the output current > (Pr.06-71+0.1A).	
	Manual	When Pr.06-73=1 or 2, uC is a "Fault". You must reset manually.	
Record	Immediately reset		
Active level	When Pr.06-71=1 or 2, uC is a "Fault", and the fault is recorded.		
Cause	Corrective Actions		
Motor cable disconnection	Troubleshoot the connection between the motor and the load.		
Improper setting of low-current protection	Reset Pr.06-71, Pr.06-72 and Pr.06-73 to proper settings.		
The load is too low	Check the load status. Check if the motor capacity matches the load.		

ID*	Display on LCD Keypad	Fault Name	Fault Descriptions
31		EEPROM read error (cF2)	Internal EEPROM cannot be read
Action and Reset			
Action level	Firmware internal detection		
Action time	cF2 acts immediately when the drive detects the fault		
Fault treatment parameter	N/A		
Reset method	Manual reset		
Reset condition	Immediately reset		
Record	Yes		
Cause	Corrective Actions		
Internal EEPROM cannot be read	Press "RESET" key or reset the parameter to the default setting, if cF2 still exists, return to the factory for repair. Cycle the power, if cF2 error still exists, return to the factory for repair.		

ID*	Display on LCD Keypad	Fault Name	Fault Descriptions
33	<i>cd1</i>	U-phase error (cd1)	U-phase current detection error when power is ON
Action and Reset			
Action level	Hardware detection		
Action time	cd1 acts immediately when the drive detects the fault		
Fault treatment parameter	N/A		
Reset method	Power-off		
Reset condition	N/A		
Record	Yes		
Cause	Corrective Actions		
Hardware failure	Cycle the power. If cd1 still exists, return to the factory for repair.		

ID*	Display on LCD Keypad	Fault Name	Fault Descriptions
34	<i>cd2</i>	V-phase error (cd2)	V-phase current detection error when power ON
Action and Reset			
Action level	Hardware detection		
Action time	cd2 acts immediately when the drive detects the fault		
Fault treatment parameter	N/A		
Reset method	Power-off		
Reset condition	N/A		
Record	Yes		
Cause	Corrective Actions		
Hardware failure	Cycle the power. If cd2 still exists, return to the factory for repair.		

ID*	Display on LCD Keypad	Fault Name	Fault Descriptions
35	<i>cd3</i>	W-phase error (cd3)	W-phase current detection error when power ON
Action and Reset			
Action level	Hardware detection		
Action time	cd3 acts immediately when the drive detects the fault		
Fault treatment parameter	N/A		
Reset method	Power-off		
Reset condition	N/A		
Record	Yes		
Cause	Corrective Actions		
Hardware failure	Cycle the power. If cd3 still exists, return to the factory for repair.		

ID*	Display on LCD Keypad	Fault Name	Fault Descriptions
36	Hd0	cc hardware error (Hd0)	cc (current clamp) hardware protection error when power is ON
Action and Reset			
Action level		Hardware detection	
Action time		Hd0 acts immediately when the drive detects the fault	
Fault treatment parameter		N/A	
Reset method		Power-off	
Reset condition		N/A	
Record		Yes	
Cause		Corrective Actions	
Hardware failure		Cycle the power. If Hd0 still exists, return to the factory for repair.	

ID*	Display on LCD Keypad	Fault Name	Fault Descriptions
37	Hd1	oc hardware error (Hd1)	oc hardware protection error when power is ON
Action and Reset			
Action level		Hardware detection	
Action time		Hd1 acts immediately when the drive detects the fault	
Fault treatment parameter		N/A	
Reset method		Power-off	
Reset condition		N/A	
Record		Yes	
Cause		Corrective Actions	
Hardware failure		Cycle the power. If Hd1 still exists, return to the factory for repair.	

ID*	Display on LCD Keypad	Fault Name	Fault Descriptions
40	AUE	Auto-tuning error (AUE)	Motor auto-tuning error
Action and Reset			
Action level		Hardware detection	
Action time		Immediately act	
Fault treatment parameter		N/A	
Reset method		Manual reset	
Reset condition		Immediately reset	
Record		Yes	
Cause		Corrective Actions	
Press "STOP" key during auto-tuning		Re-execute auto-tuning.	
Incorrect motor capacity (too large or too small) and parameter setting		Check motor capacity and related parameters. Set the correct parameters, that is Pr.01-01–Pr.01-02. Set Pr.01-00 larger than the motor rated frequency.	
Incorrect motor wiring		Check the wiring.	
Motor shaft lock		Remove the cause of motor shaft lock.	

The electromagnetic contactor is ON at output side (U/V/W) of the drive	Make sure the electromagnetic valve is OFF.
The load is too large.	Reduce the load. Replace the motor with a larger capacity model.
Accel./Decel. time is too short	Increase the setting values for Pr.01-12–Pr.01-19 (accel./decel. time).

ID*	Display on LCD Keypad	Fault Name	Fault Descriptions
41	AFE	PID loss ACI (AFE)	PID feedback loss (analog feedback signal is only valid when the PID function is enabled)
Action and Reset			
Action level		When the analog input < 4 mA (only detects 4–20 mA analog input)	
Action time		Pr.08-08	
Fault treatment parameter		Pr.08-09 0: Warn and continue operation 1: Fault and ramp to stop 2: Fault and coast to stop 3: Warn and operate at last frequency	
Reset method		Auto	When Pr.08-09=3 or 4, AFE is a "Warning". When the feedback signal is > 4 mA, the "Warning" is automatically cleared.
		Manual	When Pr.08-09=1 or 2, AFE is a "Fault". You must reset manually.
Reset condition		Immediately reset	
Record		When Pr.08-09=1 or 2, AFE is a "Fault", and the fault is recorded; when Pr.08-09=3 or 4, AFE is a "Warning", and the warning is not recorded.	
Cause		Corrective Actions	
PID feedback cable is loose or cut off		Tighten the terminal. Replace the cable with a new one.	
Feedback device failure		Replace the device with a new one.	
Hardware failure		Check all the wiring. If AFE fault still exists, return to the factory for repair.	

ID*	Display on LCD Keypad	Fault Name	Fault Descriptions
43	PGF2	PG feedback loss (PGF2)	Pr.10-00 and Pr.10-02 is not set in the PG control mode. When press "RUN" key, PGF2 fault occurs.
Action and Reset			
Action level		Software detection	
Action time		Immediately act	
Fault treatment parameter		N/A	
Reset method		Manual reset	
Reset condition		Immediately reset	
Record		Yes	
Cause		Corrective Actions	
Incorrect setting of encoder parameter		Reset encoder parameters (Pr.10-00 and Pr.10-02)	
Incorrect selection of the control mode		Choose the correct control mode.	

ID*	Display on LCD Keypad	Fault Name	Fault Descriptions
44	PGF3	PG feedback stall (PGF3)	Under PG mode, when the motor frequency exceeds the encoder observer stall level (Pr.10-10) and starts to count, the fault time is longer than the detection time of encoder observer stall (Pr.10-11), then PGF3 fault occurs.
Action and Reset			
Action level		Pr.10-10	
Action time		Pr.10-11	
Fault treatment parameter		Pr.10-12 0: Warn and continue operation 1: Fault and ramp to stop 2: Fault and coast to stop	
Reset method		Manual reset	
Reset condition		Immediately reset	
Record		Yes	
Cause		Corrective Actions	
Incorrect setting of encoder parameter		Reset encoder parameter (Pr.10-01)	
Pr. 01-00 is set too small		Set proper value for Pr.01-00.	
Incorrect setting for ASR parameters and accel./decel. time		Reset ASR parameters. Set correct accel./decel. time.	
Incorrect setting for PG feedback stall		Reset proper values for Pr.10-10 and Pr. 10-11	

ID*	Display on LCD Keypad	Fault Name	Fault Descriptions
45	PGF4	PG slip error (PGF4)	Under PG mode, when the motor frequency exceeds encoder observer slip range (Pr.10-13) and starts to count, the fault time is longer than the detection time of encoder observer slip (Pr.10-14), PGF4 fault occurs.
Action and Reset			
Action level		Pr.10-13	
Action time		Pr.10-14	
Fault treatment parameter		Pr.10-15 0: Warn and continue operation 1: Fault and ramp to stop 2: Fault and coast to stop	
Reset method		Auto	When Pr.10-15=0, PGF4 is a "Warning". When the deviation between the output frequency and motor frequency is smaller than the encoder observer slip range, the warning is automatically cleared.
		Manual	When Pr.10-15=1 or 2, PGF4 is a "Fault". You must reset manually.
Reset condition		Immediately reset	
Record		When Pr.10-15=1 or 2, PGF4 is a "Fault", and the fault is recorded.	
Cause		Corrective Actions	
Incorrect settings for PG feedback parameters		Reset correct values for Pr.10-13 and Pr.10-14.	
Incorrect settings for ASR parameters and accel./decel. time		Reset ASR parameters. Set correct accel./decel time.	

Incorrect settings of encoder parameters	Reset encoder parameters (Pr.10-01).
Accel./Decel. time is too short	Reset proper accel./decel. time.
Incorrect settings of torque limit parameters (Pr.06-12,Pr.11-17–20)	Reset proper setting values for Pr.06-12 and Pr.11-17–Pr.11-20.
Motor shaft lock	Remove causes of motor shaft lock.
Mechanical brake is not released	Check the action timing of the system.

ID*	Display on LCD Keypad	Fault Name	Fault Descriptions
48	ACE	ACI loss (ACE)	Analog input loss (including all the 4–20 mA analog signal)
Action and Reset			
Action level		When the analog input is < 4 mA (only detects 4–20 mA analog input)	
Action time		Immediately act	
Fault treatment parameter		Pr.03-19 0: Disable 1: Continue operation at the last frequency (warning, ANL is displayed on the keypad) 2: Decelerate to stop (warning, ANL is displayed on the keypad) 3: Stop immediately and display ACE	
Reset method		Auto	When Pr.03-19=1 or 2, ACE is a “Warning”. When analog input signal is > 4 mA, the warning is automatically cleared.
		Manual	When Pr.03-19=3, ACE is a “Fault”. You must reset manually.
Reset condition		Immediately reset	
Record		When Pr.03-19=3, ACE is a “Fault”, and the fault is recorded.	
Cause		Corrective Actions	
ACI cable is loose or cut off		Tighten the terminal. Replace the cable with a new one.	
External device failure		Replace the device with a new one.	
Hardware failure		Check all the wiring. If ACE still exists, return to the factory for repair.	

ID*	Display on LCD Keypad	Fault Name	Fault Descriptions
49	EF	External fault (EF)	External fault. When the drive decelerates based on the setting of Pr.07-20, the EF fault displays on the keypad.
Action and Reset			
Action level		MIx=EF and the MI terminal is ON	
Action time		Immediately act	
Fault treatment parameter		Pr.07-20 0: Coast to stop 1: Stop by the 1 st deceleration time 2: Stop by the 2 nd deceleration time 3: Stop by the 3 rd deceleration time 4: Stop by the 4 th deceleration time 5: System deceleration 6: Automatic deceleration (Pr.01-46)	
Reset method		Manual reset	
Reset condition		Manual reset only after the external fault is cleared (terminal status is recovered)	
Record		Yes	

Cause	Corrective Actions
External fault	Press RESET key after the fault is cleared.

ID*	Display on LCD Keypad	Fault Name	Fault Descriptions
50	EF1	Emergency stop (EF1)	When the contact of Mlx=EF1 is ON, the output stops immediately and displays EF1 on the keypad. The motor is in free running.
Action and Reset			
Action level		Mlx=EF1 and the MI terminal is ON	
Action time		Immediately act	
Fault treatment parameter		N/A	
Reset method		Manual reset	
Reset condition		Manual reset only after the external fault is cleared (terminal status is recovered)	
Record		Yes	
Cause		Corrective Actions	
When Mlx=EF1 activates		Verify if the system is back to normal condition, and then press "RESET" key to go back to the default.	

ID*	Display on LCD Keypad	Fault Name	Fault Descriptions
51	bb	External base block (bb)	When the contact of Mlx=bb is ON, the output stops immediately and displays bb on the keypad. The motor is in free running.
Action and Reset			
Action level		Mlx=bb and the MI terminal is ON	
Action time		Immediately act	
Fault treatment parameter		N/A	
Reset method		The display "bb" is automatically cleared after the fault is cleared.	
Reset condition		N/A	
Record		No	
Cause		Corrective Actions	
When Mlx=bb activates		Verify if the system is back to normal condition, and then press "RESET" key to go back to the default.	

ID*	Display on LCD Keypad	Fault Name	Fault Descriptions
52	Pcod	Password is locked (Pcod)	Entering the wrong password three consecutive times
Action and Reset			
Action level		Entering the wrong password three consecutive times	
Action time		Immediately act	
Fault treatment parameter		N/A	
Reset method		Manual reset	
Reset condition		Power-off	
Record		Yes	

Cause	Corrective Actions
Incorrect password input through Pr.00-07	<ol style="list-style-type: none"> Input the correct password after rebooting the motor drive. If you forget the password, do the following steps: Step 1: Input 9999 and press ENTER. Step 2: Repeat step 1. Input 9999 and press ENTER. (You need to finish step 1 and step 2 within 10 seconds. If you don't finish the two steps in 10 seconds, try again.) The parameter settings return to the default when the "Input 9999" process is finished.

ID*	Display on LCD Keypad	Fault Name	Fault Descriptions
54	CE1	Illegal command (CE1)	Communication command is illegal
Action and Reset			
Action level		When the function code is not 03, 06, 10, or 63.	
Action time		Immediately act	
Fault treatment parameter		N/A	
Reset method		Manual reset	
Reset condition		Immediately reset	
Record		No	
Cause		Corrective Actions	
Incorrect communication command from the upper unit		Check if the communication command is correct.	
Malfunction caused by interference		Verify the wiring and grounding of the communication circuit. It is recommended to separate the communication circuit from the main circuit, or wire in 90 degree for effective anti-interference performance.	
Different communication setting from the upper unit		Check if the setting for Pr.09-02 is the same as the setting for the upper unit.	
Disconnection or bad connection of the cable		Check the cable and replace it if necessary.	

ID*	Display on LCD Keypad	Fault Name	Fault Descriptions
55	CE2	Illegal data address (CE2)	Data address is illegal
Action and Reset			
Action level		When the data address is correct.	
Action time		Immediately act	
Fault treatment parameter		N/A	
Reset method		Manual reset	
Reset condition		Immediately reset	
Record		No	
Cause		Corrective Actions	
Incorrect communication command from the upper unit		Check if the communication command is correct.	
Malfunction caused by interference		Verify the wiring and grounding of the communication circuit. It is recommended to separate the communication circuit from the main circuit, or wire in 90 degree for effective anti-interference performance.	

Chapter 14 Fault Codes MS300

Different communication setting from the upper unit	Check if the setting for Pr.09-02 is the same as the setting for the upper unit.
Disconnection or bad connection of the cable	Check the cable and replace it if necessary.

ID*	Display on LCD Keypad	Fault Name	Fault Descriptions
56	CE3	Illegal data value (CE3)	Data value is illegal
Action and Reset			
Action level		When the data length is too long	
Action time		Immediately act	
Fault treatment parameter		N/A	
Reset method		Manual reset	
Reset condition		Immediately reset	
Record		No	
Cause		Corrective Actions	
Incorrect communication command from the upper unit		Check if the communication command is correct.	
Malfunction caused by interference		Verify the wiring and grounding of the communication circuit. It is recommended to separate the communication circuit from the main circuit, or wire in 90 degree for effective anti-interference performance.	
Different communication setting from the upper unit		Check if the setting for Pr.09-02 is the same as the setting for the upper unit.	
Disconnection or bad connection of the cable		Check the cable and replace it if necessary.	

ID*	Display on LCD Keypad	Fault Name	Fault Descriptions
57	CE4	Data is written to read-only address (CE4)	Data is written to read-only address
Action and Reset			
Action level		When the data is written to read-only address.	
Action time		Immediately act	
Fault treatment parameter		N/A	
Reset method		Manual reset	
Reset condition		Immediately reset	
Record		No	
Cause		Corrective Actions	
Incorrect communication command from the upper unit		Check if the communication command is correct.	
Malfunction caused by interference		Verify the wiring and grounding of the communication circuit. It is recommended to separate the communication circuit from the main circuit, or wire in 90 degree for effective anti-interference performance.	
Different communication setting from the upper unit		Check if the setting for Pr.09-02 is the same as the setting for the upper unit.	
Disconnection or bad connection of the cable		Check the cable and replace it if necessary.	

ID*	Display on LCD Keypad	Fault Name	Fault Descriptions
58	CE 10	Modbus transmission time-out (CE10)	Modbus transmission time-out occurs
Action and Reset			
Action level		When the communication time exceeds the detection time for Pr.09-03 communication time-out.	
Action time		Pr.09-03	
Fault treatment parameter		Pr.09-02 0: Warn and continue operation 1: Fault and ramp to stop 2: Fault and coast to stop 3: No warning, no fault, and continue operation	
Reset method		Manual reset	
Reset condition		Immediately reset	
Record		Yes	
Cause		Corrective Actions	
The upper unit does not transmit the communication command within Pr.09-03 setting time.		Check if the upper unit transmits the communication command within the setting time for Pr.09-03.	
Malfunction caused by interference		Verify the wiring and grounding of the communication circuit. It is recommended to separate the communication circuit from the main circuit, or wire in 90 degree for effective anti-interference performance.	
Different communication setting from the upper unit		Check if the setting for Pr.09-02 is the same as the setting for the upper unit.	
Disconnection or bad connection of the cable		Check the cable and replace it if necessary.	

ID*	Display on LCD Keypad	Fault Name	Fault Descriptions
61	ydc	Y-connection / Δ -connection switch error (ydc)	An error occurs when Y- Δ switches
Action and Reset			
Action level		1. ydc occurs when the confirmation signals of Y-connection and Δ -connection are conducted at the same time. 2. If any of confirmation signals is not conducted within Pr.05-25, ydc occurs.	
Action time		Pr.05-25	
Fault treatment parameter		N/A	
Reset method		Manual reset	
Reset condition		Can be reset only when the confirmation signal of Y-connection is conducted if it is Y-connection, or when the confirmation signal of Δ -connection is conducted if it is Δ -connection.	
Record		Yes	
Cause		Corrective Actions	
The electromagnetic valve operates incorrectly during Y- Δ switch.		Check if the electromagnetic valve works normally. If not, replace it.	
Incorrect parameter setting		Check if related parameters are all set up and set correctly.	

The wiring of Y-Δ switch function is incorrect	Check the wiring.
--	-------------------

ID*	Display on LCD Keypad	Fault Name	Fault Descriptions
62	dEb	Deceleration energy backup error (dEb)	When Pr.07-13 is not 0, and the power is suddenly off, causing the DC bus voltage lower than the dEb action level, the dEb function acts and the motor ramps to stop. Then dEb displays on the keypad.
Action and Reset			
Action level		When Pr.07-13 is not 0, and the DC bus voltage is lower than the level of dEb.	
Action time		Immediately act	
Fault treatment parameter		N/A	
Reset method		Auto	When Pr.07-13=2 (dEb with auto-acceleration / auto-deceleration, the drive outputs the frequency after the power is restored): dEb is automatically cleared.
		Hand	When Pr.07-13=1 (dEb with auto-acceleration / auto-deceleration, the drive does not output the frequency after the power is restored): The drive stops when dEb acts and the rotation speed becomes 0 Hz, then the drive can be reset manually.
Reset condition		Auto: The fault is automatically cleared. Hand: When the drive decelerates to 0 Hz.	
Record		Yes	
Cause		Corrective Actions	
Unstable power source or the power is off		Check the power system.	
There is any other large load operates in the power system		<ol style="list-style-type: none"> 1. Replace power system with a larger capacity. 2. Use a different power system from the large load system. 	

ID*	Display on LCD Keypad	Fault Name	Fault Descriptions
63	oSL	Over slip error (oSL)	On the basis of the maximum slip limit set via Pr.10-29, the speed deviation is abnormal. When the motor drive outputs at constant speed, F>H or F<H exceeds the level set via Pr.07-29, and it exceeds the time set via Pr.07-30, oSL shows. oSL occurs in induction motors only.
Action and Reset			
Action level		Pr.07-29 100% of Pr.07-29 = the maximum limit of the slip frequency (Pr.10-29)	
Action time		Pr.07-30	
Fault treatment parameter		Pr.07-31 0: Warn and continue operation 1: Fault and ramp to stop 2: Fault and coast to stop 3: No warning	
Reset method		Auto	Pr.07-31=0 is a warning. When the motor drive outputs at constant speed, and F>H or F<H does not exceed the level set via Pr.07-29 anymore, oSL warning will be cleared automatically.
		Hand	When Pr.07-31=1 or 2, oSL is an error, and it needs to reset manually.

Reset condition	Immediately reset
Record	Pr.07-31=1 or 2, oSL is "Fault", and the fault is recorded.
Cause	Corrective Actions
Any of the motor parameters in parameter group 5 may be incorrect	Check the motor parameters
Overload	Decrease the load
Any of the setting value of Pr.07-29, 07-30, and 10-29 is improper	Check the setting of oSL protection function related parameters

ID*	Display on LCD Keypad	Fault Name	Fault Descriptions
72	STL1	STO Loss 1 (STL1)	STO1-SCM1 internal loop detection error
Action and Reset			
Action level	Hardware detection		
Action time	Immediately act		
Fault treatment parameter	N/A		
Reset method	Hardware failure, and cannot reset. Cycle the power.		
Reset condition	N/A		
Record	Yes		
Cause	Corrective Actions		
STO1 and SCM1 short circuit lines are not connected	Re-connect the short circuit line		
Hardware failure	After you make sure all the wiring is correct, if STL1 fault still exists after cycling the power, return to the factory for repair.		
Poor connection of the IO card	Check if the PIN of the IO card is broken. Check if the IO card connects to the control board correctly, and if the screws are tightened well.		
The IO card does not match the version of the control board	Contact local agent or Delta		

ID*	Display on LCD Keypad	Fault Name	Fault Descriptions
76	STo	STO (STo)	Safety Torque Off function active
Action and Reset			
Action level	Hardware detection		
Action time	Immediately act		
Fault treatment parameter	N/A		
Reset method	Auto	When Pr.06-44=1 and after STo error is cleared, it automatically resets.	
	Manual	When Pr.06-44=0 and after STo error is cleared, reset it manually.	
Reset condition	Reset only after STo error is cleared.		
Record	Yes		
Cause	Corrective Actions		
The switch action of STO1/SCM1 and STO2/SCM2 (OPEN)	Reset the switch (ON) and cycle the power		

Poor connection of the IO card	Check if the PIN of the IO card is broken. Check if the IO card connects to the control board correctly, and if the screws are tightened well.
The IO card does not match the version of the control board	Contact local agent or Delta

ID*	Display on LCD Keypad	Fault Name	Fault Descriptions
77	STL2	STO Loss 2 (STL2)	STO2–SCM2 internal loop detection error
Action and Reset			
Action level		Hardware detection	
Action time		Immediately act	
Fault treatment parameter		N/A	
Reset method		Hardware failure, and cannot reset. Cycle the power.	
Reset condition		N/A	
Record		Yes	
Cause		Corrective Actions	
STO2 and SCM2 short circuit lines are not connected		Re-connect the short circuit lines	
Hardware failure		After you make sure all the wiring is correct, if STL2 fault still exists after cycling the power, return to the factory for repair.	
Poor connection of the IO card		Check if the PIN of the IO card is broken. Check if the IO card connects to the control board correctly, and if the screws are tightened well.	
The IO card does not match the version of the control board		Contact local agent or Delta	

ID*	Display on LCD Keypad	Fault Name	Fault Descriptions
78	STL3	STO Loss 3 (STL3)	STO1–SCM1 and STO2–SCM2 internal loop detection error
Action and Reset			
Action level		Hardware detection	
Action time		Immediately act	
Fault treatment parameter		N/A	
Reset method		Hardware failure, and cannot reset. Cycle the power.	
Reset condition		N/A	
Record		Yes	
Cause		Corrective Actions	
STO1 and SCM1, or STO2 and SCM2 short circuit lines are not connected		Re-connect the short circuit lines	
Hardware failure		After you make sure all the wiring is correct, if STL3 fault still exists after cycling the power, return to the factory for repair.	
Poor connection of the IO card		Check if the PIN of the IO card is broken. Check if the IO card connects to the control board correctly, and if the screws are tightened well.	

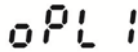
The IO card does not match the version of the control board	Contact local agent or Delta
---	------------------------------


ID*	Display on LCD Keypad	Fault Name	Fault Descriptions
79	Aoc	U-phase over-current before run (Aoc)	U-phase short circuit detected when the output wiring detection is performed before the drive runs.
Action and Reset			
Action level		300% of the rated current	
Action time		Immediately act	
Fault treatment parameter		N/A	
Reset method		Manual reset	
Reset condition		Reset in five seconds after the fault clears	
Record		Yes	
Cause		Corrective Actions	
Incorrect wiring for the motor		Check if the motor's internal wiring and the UVW wiring of the drive output terminal are correct.	
Short-circuit at motor output due to poor insulation wiring		Check the motor cable and remove causes of the short circuits, or replace the cable before turning on the power.	
Check for possible burnout or aging insulation of the motor		Check the motor insulation value with megger. Replace the motor if the insulation is poor.	
Malfunction caused by interference		Verify the wiring of the control circuit and the wiring/grounding of the main circuit to prevent interference.	
The length of motor cable is too long		Increase the AC motor drive's capacity. Install AC reactor(s) on the output side (U/V/W).	
Hardware failure		The Aoc occurs due to the short circuit or ground fault at the output side of the drive. Check for possible short circuits between terminals with the electric meter: B1 corresponds to U, V and W; DC- corresponds to U, V and W; ⊕ corresponds to U, V and W. If short circuit occurs, return to the factory for repair.	

ID*	Display on LCD Keypad	Fault Name	Fault Descriptions
80	boc	V-phase over-current before run (boc)	V-phase short circuit detected when the output wiring detection is performed before the drive runs.
Action and Reset			
Action level		300% of the rated current	
Action time		Immediately act	
Fault treatment parameter		N/A	
Reset method		Manual reset	
Reset condition		Reset in five seconds after the fault clears	
Record		Yes	
Cause		Corrective Actions	
Incorrect wiring for the motor		Check if the motor's internal wiring and the UVW wiring of the drive output terminal are correct.	
Short-circuit at motor output due to poor insulation wiring		Check the motor cable and remove causes of the short circuits, or replace the cable before turning on the power.	

Check for possible burnout or aging insulation of the motor	Check the motor insulation value with megger. Replace the motor if the insulation is poor.
Malfunction caused by interference	Verify the wiring of the control circuit and the wiring/grounding of the main circuit to prevent interference.
The length of motor cable is too long	Increase the AC motor drive's capacity. Install AC reactor(s) on the output side (U/V/W).
Hardware failure	The boc occurs due to the short circuit or ground fault at the output side of the drive. Check for possible short circuits between terminals with the electric meter: B1 corresponds to U, V and W; DC- corresponds to U, V and W; ⊕ corresponds to U, V and W. If short circuit occurs, return to the factory for repair.

ID*	Display on LCD Keypad	Fault Name	Fault Descriptions
81	c o c	W-phase over-current before run (coc)	W-phase short circuit detected when the output wiring detection is performed before the drive runs.
Action and Reset			
Action level		300% of the rated current	
Action time		Immediately act	
Fault treatment parameter		N/A	
Reset method		Manual reset	
Reset condition		Reset in five seconds after the fault clears	
Record		Yes	
Cause		Corrective Actions	
Incorrect wiring for the motor		Check if the motor's internal wiring and the UVW wiring of the drive output terminal are correct.	
Short-circuit at omotor output due to poor insulation wiring		Check the motor cable and remove causes of the short circuits, or replace the cable before turning on the power.	
Check for possible burnout or aging insulation of the motor		Check the motor insulation value with megger. Replace the motor if the insulation is poor.	
Malfunction caused by interference		Verify the wiring of the control circuit and the wiring/grounding of the main circuit to prevent interference.	
The length of motor cable is too long		Increase the AC motor drive's capacity. Install AC reactor(s) on the output side (U/V/W).	
Hardware failure		The coc occurs due to the short circuit or ground fault at the output side of the drive. Check for possible short circuits between terminals with the electric meter: B1 corresponds to U, V and W; DC- corresponds to U, V and W; ⊕ corresponds to U, V and W. If short circuit occurs, return to the factory for repair.	

ID*	Display on LCD Keypad	Fault Name	Fault Descriptions
82		Output phase loss U phase (oPL1)	U phase output phase loss
Action and Reset			
Action level		Pr.06-47	
Action time		Pr.06-46 Pr.06-48: Use the setting value of Pr.06-48 first. If DC braking function activates, use that of Pr.06-46.	
Fault treatment parameter		Pr.06-45 0: Warn and continue operation 1: Fault and ramp to stop 2: Fault and coast to stop 3: No warning	
Reset method		Manual reset	
Reset condition		Immediately reset	
Record		Pr.06-45=1 or 2 is "Fault", and the fault is recorded.	
Cause		Corrective Actions	
Unbalanced three-phase impedance of the motor		Replace the motor.	
The motor is wired incorrectly		Check the cable condition. Replace the cable.	
Using a single-phase motor		Choose a three-phase motor	
The current sensor is damaged		Check the flat cable of the control board. Re-do the wiring and test again if the flat cable is loose. If the fault still exists, return to the factory for repair. Verify that the three-phase current is balanced with a current clamp meter. If it is balanced and the oPL1 fault still exists, return to the factory for repair.	
The drive capacity is much larger than the motor capacity		Make sure the capacity of the drive and motor match to each other.	

ID*	Display on LCD Keypad	Fault Name	Fault Descriptions
83		Output phase loss V phase (oPL2)	V phase output phase loss
Action and Reset			
Action level		Pr.06-47	
Action time		Pr.06-46 Pr.06-48: Use the setting value of Pr.06-48 first. If DC braking function activates, use that of Pr.06-46.	
Fault treatment parameter		Pr.06-45 0: Warn and keep operation 1: Fault and ramp to stop 2: Fault and coast to stop 3: No warning	
Reset method		Manual reset	
Reset condition		Immediately reset	
Record		When Pr.06-45=1 or 2, oPL2 is a "Fault", and the fault is recorded.	

Cause	Corrective Actions
Unbalanced three-phase impedance of the motor	Replace the motor.
Check if the wiring is incorrect	Check the cable and replace it if necessary.
Check if the motor is a single-phase motor	Choose a three-phase motor.
Check if the current sensor is broken	Check if the control board cable is loose. If yes, reconnect the cable and run the drive to test. If the fault still exists, return to the factory for repair. Check if the three-phase current is balanced with a current clamp meter. If the current is balanced and the oPL2 fault still exists, return to the factory for repair.
Check if the drive capacity is larger than the motor capacity	Choose the drive that matches the motor capacity


ID*	Display on LCD Keypad	Fault Name	Fault Descriptions
84	oPL3	Output phase loss W phase (oPL3)	W phase output phase loss
Action and Reset			
Action level		Pr.06-47	
Action time		Pr.06-46 Pr.06-48: Use the setting value of Pr.06-48 first. If DC braking function activates, use that of Pr.06-46.	
Fault treatment parameter		Pr.06-45 0: Warn and continue operation 1: Fault and ramp to stop 2: Fault and coast to stop 3: No warning	
Reset method		Manual reset	
Reset condition		Immediately reset	
Record		When Pr.06-45=1 or 2, oPL3 is a "Fault", and the fault is recorded.	
Cause		Corrective Actions	
Unbalanced three-phase impedance of the motor		Replace the motor.	
Check if the wiring is incorrect		Check the cable and replace it if necessary.	
Check if the motor is a single-phase motor		Choose a three-phase motor.	
Check if the current sensor is broken		Check if the control board cable is loose. If yes, reconnect the cable and run the drive to test. If the fault still exists, return to the factory for repair. Check if the three-phase current is balanced with a current clamp meter. If the current is balanced and the oPL3 fault still exists, return to the factory for repair.	
Check if the drive capacity is larger than the motor capacity		Choose the drive that matches the motor capacity	


ID*	Display on LCD Keypad	Fault Name	Fault Descriptions
87	oL3	Low frequency overload protection (oL3)	Low frequency and high current protection
Action and Reset			
Action level		Software detection	
Action time		Immediately act	
Fault treatment parameter		N/A	
Reset method		Manual reset	
Reset condition		Immediately reset	
Record		Yes	
Cause		Corrective Actions	
The drive operates at a frequency below 15 Hz, and output current is too large.		<ol style="list-style-type: none"> 1. Enhance the heat dissipation capacity for the cabinet. 2. Lower the carrier frequency (Pr.00-17). 3. Decrease the voltage settings that correspond to frequency below 15 Hz in the V/F curve. 4. Change Pr.00-11 to general control mode. 5. Replace the drive with a larger power model. 	

ID*	Display on LCD Keypad	Fault Name	Fault Descriptions
89	roPd	Rotor position detection error (roPd)	Rotor position detection error protection
Action and Reset			
Action level		Reset the software	
Action time		Immediately act	
Fault treatment parameter		N/A	
Reset method		Manual reset	
Reset condition		Immediately reset	
Record		Yes	
Cause		Corrective Actions	
Check if the motor cable is abnormal or broken		Check or replace the cable.	
Motor coil error		Replace the motor.	
Hardware failure		IGBT broken. Return to the factory for repair.	
Drive's current feedback line error		Cycle the power. If roPd still occurs during operation, return to the factory for repair.	

ID*	Display on LCD Keypad	Fault Name	Fault Descriptions
101	CgE	CANopen guarding error (CGdE)	CANopen guarding error
Action and Reset			
Action level	When CANopen Node Guarding detects that one of the slaves does not respond, the CgdE fault occurs. The upper unit sets the factor and time during configuration.		
Action time	The time that the upper unit sets during configuration		
Fault treatment parameter	N/A		
Reset method	Manual reset		
Reset condition	The upper unit sends a reset package to clear this fault.		
Record	Yes		
Cause	Corrective Actions		
The guarding time is too short, or less detection times	Increase the guarding time (Index 100C) and detection times		
Malfunction caused by interference	<ol style="list-style-type: none"> 1. Verify the wiring and grounding of the communication circuit. It is recommended to separate the communication circuit from the main circuit, or wire in 90 degree for effective anti-interference performance. 2. Make sure the communication circuit is wired in series. 3. Use CANopen cable or add terminating resistance. 		
Communication cable is broken or bad connected	Check or replace the communication cable.		

ID*	Display on LCD Keypad	Fault Name	Fault Descriptions
102	ChE	CANopen heartbeat error (CHbE)	CANopen heartbeat error
Action and Reset			
Action level	When CANopen Heartbeat detects that one of the slaves does not respond, the ChbE fault occurs. The upper unit sets the confirming time of producer and consumer during configuration.		
Action time	The confirming time that the upper unit sets for producer and consumer during configuration.		
Fault treatment parameter	N/A		
Reset method	Manual reset		
Reset condition	The upper unit sends a reset package to clear this fault		
Record	Yes		
Cause	Corrective Actions		
The heartbeat time is too short	Increase heartbeat time (Index 100C)		
Malfunction caused by interference	<ol style="list-style-type: none"> 1. Verify the wiring and grounding of the communication circuit. It is recommended to separate the communication circuit from the main circuit, or wire in 90 degree for effective anti-interference performance. 2. Make sure the communication circuit is wired in series. 3. Use CANopen cable or add terminating resistance. 		
Communication cable is broken or bad connected	Check or replace the communication cable.		

ID*	Display on LCD Keypad	Fault Name	Fault Descriptions
104		CANopen bus off error (CbFE)	CANopen bus off error
Action and Reset			
Action level	Hardware	When CANopen card is not installed, the CbFE fault occurs.	
	Software	When the master receives wrong communication package, the CbFE fault occurs. Too much interference on BUS The master receives wrong package when the CAN_H and CAN_L communication cables are short, CbFE fault occurs.	
Action level	Immediately act		
Fault treatment parameter	N/A		
Reset method	Manual reset		
Reset condition	Cycle the power		
Record	Yes		
Cause	Corrective Actions		
Check if the CANopen card is installed	Make sure the CANopen card is installed.		
Check if the CANopen speed is correct	Reset CANopen speed (Pr.09-37)		
Malfunction caused by interference	<ol style="list-style-type: none"> 1. Verify the wiring and grounding of the communication circuit. It is recommended to separate the communication circuit from the main circuit, or wire in 90 degree for effective anti-interference performance. 2. Make sure the communication circuit is wired in series. 3. Use CANopen cable or add terminating resistance. 		
Communication cable is broken or bad connected	Check or replace the communication cable.		

ID*	Display on LCD Keypad	Fault Name	Fault Descriptions
105		CANopen index error (CidE)	CANopen index error
Action and Reset			
Action level	Software detection		
Action time	Immediately act		
Fault treatment parameter	N/A		
Reset method	Manual reset		
Reset condition	The upper unit sends a reset package to clear this fault		
Record	Yes		
Cause	Corrective Actions		
Incorrect setting of CANopen index	Reset CANopen Index (Pr.00-02=7)		

ID*	Display on LCD Keypad	Fault Name	Fault Descriptions
106	CA _d E	CANopen station address error (CA _d E)	CANopen station address error (only supports 1–127)
Action and Reset			
Action level	Software detection		
Action time	Immediately act		
Fault treatment parameter	N/A		
Reset method	Manual reset (Pr.00-02=7)		
Reset condition	N/A		
Record	Yes		
Cause		Corrective Actions	
Incorrect setting of CANopen station address		<ol style="list-style-type: none"> 1. Disable CANopen (Pr.09-36=0) 2. Reset CANopen (Pr.00-02=7) 3. Reset CANopen station address (Pr.09-36) 	

ID*	Display on LCD Keypad	Fault Name	Fault Descriptions
107	CF _r E	CANopen index setting exceed limit (CF _r E)	CANopen memory error
Action and Reset			
Action level	When you update the firmware version of the control board, the FRAM internal data does not change, then CF _r E fault occurs.		
Action time	Immediately act		
Fault treatment parameter	N/A		
Reset method	Manual reset		
Reset condition	Pr.00-02=7		
Record	Pr.00-21=3, the fault is recorded		
Cause		Corrective Actions	
CANopen internal memory error		<ol style="list-style-type: none"> 1. Disable CANopen (Pr.09-36=0) 2. Reset CANopen (Pr.00-02=7) 3. Reset CANopen station address (Pr.09-36) 	

ID*	Display on LCD Keypad	Fault Name	Fault Descriptions
111	ictE	InrCOM time-out error (ictE)	Internal communication overtime error
Action and Reset			
Action level	Pr.09-31=-1 – -10 (there is no -9), when the internal communication between Slave and Master is abnormal, ictE fault occurs.		
Action time	Immediately act		
Fault treatment parameter	N/A		
Reset method	Automatically reset after the internal communication is normal		
Reset condition	N/A		
Record	Yes		
Cause		Corrective Actions	
Malfunction caused by interference		Verify the wiring and grounding of the communication circuit. It is recommended to separate the communication circuit from the main circuit, or wire in 90 degree for effective anti-interference performance.	

Different communication setting from the upper unit	Check if the setting for Pr.09-02 is the same as the setting for the upper unit.
Disconnection or bad connection of the cable	Check the cable and replace it if necessary.

ID*	Display on LCD Keypad	Fault Name	Fault Descriptions
121	CP20	Internal communication error (CP20)	Internal communication time-out
Action and Reset			
Action level		Software detection	
Action time		Immediately act	
Fault treatment parameter		N/A	
Reset method		N/A	
Reset condition		N/A	
Record		Yes	
Cause		Corrective Actions	
Internal communication error		Contact your local distributor or Delta.	

ID*	Display on LCD Keypad	Fault Name	Fault Descriptions
123	CP22	Internal communication error (CP22)	Abnormal internal communication
Action and Reset			
Action level		Software detection	
Action time		Immediately act	
Fault treatment parameter		N/A	
Reset method		N/A	
Reset condition		N/A	
Record		Yes	
Cause		Corrective Actions	
Internal communication error		Contact your local distributor or Delta.	

ID*	Display on LCD Keypad	Fault Name	Fault Descriptions
124	CP30	Internal communication error (CP30)	Abnormal internal communication
Action and Reset			
Action level		Software detection	
Action time		Immediately act	
Fault treatment parameter		N/A	
Reset method		N/A	
Reset condition		N/A	
Record		Yes	
Cause		Corrective Actions	
Internal communication error		Contact your local distributor or Delta.	

ID*	Display on LCD Keypad	Fault Name	Fault Descriptions
126	CP32	Internal communication error (CP32)	Abnormal internal communication
Action and Reset			
Action level		Software detection	
Action time		Immediately act	
Fault treatment parameter		N/A	
Reset method		N/A	
Reset condition		N/A	
Record		Yes	
Cause		Corrective Actions	
Internal communication error		Contact your local distributor or Delta.	

ID*	Display on LCD Keypad	Fault Name	Fault Descriptions
127	CP33	Internal communication error (CP33)	Abnormal internal communication
Action and Reset			
Action level		Software detection	
Action time		Immediately act	
Fault treatment parameter		N/A	
Reset method		N/A	
Reset condition		N/A	
Record		Yes	
Cause		Corrective Actions	
Internal communication error		Contact your local distributor or Delta.	

ID*	Display on LCD Keypad	Fault Name	Fault Descriptions
128	ot3	Over-torque 3 (ot3)	When the output current exceeds the over-torque detection level (Pr.14-75) and exceeds over-torque detection time (Pr.14-76), and when Pr.14-74 is set to 2 or 4, the ot3 error displays.
Action and Reset			
Action level		Pr.14-75	
Action time		Pr.14-76	
Fault treatment parameter		Pr.14-74 0: No function 1: Continue operation after over-torque detection during constant speed operation 2: Stop after over-torque detection during constant speed operation 3: Continue operation after over-torque detection during RUN 4: Stop after over-torque detection during RUN	
Reset method		Auto	When Pr.14-74=1 or 3, ot3 is a "Warning". The warning is automatically cleared when the output current < Pr.14-75.
		Manual	When Pr.14-74=2 or 4, ot3 is a "Fault". You must reset manually.
Reset condition		Immediately reset	
Record		Pr.14-74=2 or 4, ot3 is a "Fault", and the fault is recorded.	

Cause	Corrective Actions
Incorrect parameter setting	Reset Pr.14-75 and Pr.14-76
Mechanical failure (e.g. over-torque, mechanical lock)	Remove the causes of malfunction.
The load is too large	Reduce the load. Replace the motor with a larger capacity model.
Accel./ Decel. time and working cycle are too short	Increase the setting for Pr.01-12–Pr.01-19 (accel./ decel. time)
V/F voltage is too high	Adjust the V/F curve (Motor 3, Pr.01-54–01-61), especially the setting value for the mid-point voltage (if the mid-point voltage is set too low, the load capacity decreases at low speed).
The motor capacity is too small	Replace the motor with a larger capacity model.
Overload during low-speed operation	Decrease low-speed operation time. Increase the motor capacity.
Torque compensation is too large	Adjust the torque compensation (refer to Pr.07-73 torque compensation gain) until the current reduces and the motor does not stall.
Improper parameter settings for speed tracking function (including restart after momentary power loss and restart after fault)	<ol style="list-style-type: none"> 1. Correct the parameter settings for speed tracking. 2. Start the speed tracking function. 3. Adjust the maximum current for Pr.07-09 speed tracking.

ID*	Display on LCD Keypad	Fault Name	Fault Descriptions
129	ot4	Over-torque 4 (ot4)	When the output current exceeds the over-torque detection level (Pr.14-78) and exceeds over-torque detection time (Pr.14-79), and when Pr.14-77 is set to 2 or 4, the ot4 error displays.
Action and Reset			
Action level		Pr.14-78	
Action time		Pr.14-79	
Fault treatment parameter		Pr.14-77 0: No function 1: Continue operation after over-torque detection during constant speed operation 2: Stop after over-torque detection during constant speed operation 3: Continue operation after over-torque detection during RUN 4: Stop after over-torque detection during RUN	
Reset method		Auto	When Pr.14-77=1 or 3, ot4 is a "Warning". The warning is automatically cleared when the output current < Pr.14-78.
		Manual	When Pr.14-77=2 or 4, ot4 is a "Fault". You must reset manually.
Reset condition		Immediately reset	
Record		Pr.14-77=2 or 4, ot4 is a "Fault", and the fault is recorded.	
Cause		Corrective Actions	
Incorrect parameter setting		Configure the settings for Pr.14-78 and Pr.14-79 again.	
Mechanical failure (e.g. over-torque, mechanical lock)		Remove the causes of malfunction.	
The load is too large		Reduce the load. Replace the motor with a larger capacity model.	
Accel./ Decel. time and working cycle are too short		Increase the setting values for Pr.01-12–Pr.01-19 (accel./ decel. time)	

V/F voltage is too high	Adjust the V/F curve (Motor 4, Pr.01-63-01-70), especially the setting value for the mid-point voltage (if the mid-point voltage is set too low, the load capacity decreases at low speed).
The motor capacity is too small	Replace the motor with a larger capacity model.
Overload during low-speed operation	Decrease low-speed operation time. Increase the motor capacity.
Torque compensation is too large	Adjust the torque compensation (refer to Pr.07-75 torque compensation gain) until the current reduces and the motor does not stall.
Improper parameter settings for speed tracking function (including restart after momentary power loss and restart after fault)	1. Correct the parameter settings for speed tracking. 2. Start the speed tracking function. 3. Adjust the maximum current for Pr.07-09 speed tracking.

ID*	Display on LCD Keypad	Fault Name	Fault Descriptions
134	EoL3	Internal communication error (EoL3)	Electronic thermal relay 3 protection. The drive coasts to stop once it activates.
Action and Reset			
Action level		Start counting when output current > 105% of the motor 3 rated current.	
Action time		Pr.14-81 (If the output current is larger than 105% of the motor 3 rated current again within 60 sec., the counting time reduces and is less than Pr.14-81)	
Fault treatment parameter		N/A	
Reset method		Manual reset	
Reset condition		Reset in five seconds after the fault is cleared	
Record		Yes	
Cause		Corrective Actions	
The load is too large		Reduce the load.	
Accel. /Decel. time or the working cycle are too short		Increase the setting value for Pr.01-12-01-19 (accel./ decel. time)	
V/F voltage is too high		Adjust the settings for Pr.01-54-01-61 (V/F curve), especially the setting value for the mid-point voltage (if the mid-point voltage is set too low, the load capacity decreases at low speed).	
Overload during low-speed operation. When using a general motor, even it operates below rated current, an overload may still occur during low-speed operation.		Decrease low-speed operation time. Replace the drive with a dedicated to VFD model. Increase the motor capacity.	
When using VFD dedicated motor, Pr.06-13=0 (electronic thermal relay selection motor 1 = inverter motor)		Pr.14-80 = 1 electronic thermal relay selection motor 1 = standard motor (motor with fan on the shaft).	
Incorrect value of electronic thermal relay		Reset to the correct motor rated current.	
The maximum motor frequency is set too low		Reset to the correct motor rated frequency.	
One drive to multiple motors		Set Pr.14-80 electronic thermal relay 3 selection = 2 disable, and install thermal relay on each motor.	

Check if the setting for stall prevention is correct.	Set the stall prevention to the proper value.
Torque compensation is too large	Adjust the torque compensation (refer to Pr.07-73 torque compensation gain) until the current reduces and the motor does not stall.
Motor fan error	Check the status of the fan, or replace the fan.
Unbalanced three-phase impedance of the motor	Replace the motor.

ID*	Display on LCD Keypad	Fault Name	Fault Descriptions
135	EoL4	Internal communication error (EoL4)	Electronic thermal relay 4 protection. The drive coasts to stop once it activates.
Action and Reset			
Action level		Start counting when the output current > 105% of the motor 4 rated current.	
Action time		Pr.14-83 (If the output current is larger than 105% of motor 4 rated current again within 60 sec., the counting time reduces and is less than Pr.14-83)	
Fault treatment parameter		N/A	
Reset method		Manual reset	
Reset condition		Reset in five seconds after the fault is cleared	
Record		Yes	
Cause		Corrective Actions	
The load is too large		Reduce the load.	
Accel. /Decel. time or the working cycle are too short		Increase the setting value for Pr.01-12-01-19 (accel./ decel. time)	
V/F voltage is too high		Adjust the settings for Pr.01-62-01-70 (V/F curve), especially the setting value for the mid-point voltage (if the mid-point voltage is set too low, the load capacity decreases at low speed).	
Overload during low-speed operation. When using a general motor, even it operates below rated current, an overload may still occur during low-speed operation.		Decrease low-speed operation time. Replace the drive with a dedicated to VFD model. Increase the motor capacity.	
When using VFD dedicated motor, Pr.06-13=0 (electronic thermal relay selection motor 1 = inverter motor)		Pr.14-82 = 1 electronic thermal relay selection motor 1 = standard motor (motor with fan on the shaft).	
Incorrect value of electronic thermal relay		Reset to the correct motor rated current.	
The maximum motor frequency is set too low		Reset to the correct motor rated frequency.	
One drive to multiple motors		Set Pr.14-82 electronic thermal relay 4 selection = 2 disable, and install thermal relay on each motor.	
Check if the setting for stall prevention is correct.		Set the stall prevention to the proper value.	
Torque compensation is too large		Adjust the torque compensation (refer to Pr.07-75 torque compensation gain) until the current reduces and the motor does not stall.	
Motor fan error		Check the status of the fan, or replace the fan.	
Unbalanced three-phase impedance of the motor		Replace the motor.	

ID*	Display on LCD Keypad	Fault Name	Fault Descriptions
140	Hd6	oc hardware error (Hd6)	GFF hardware protection error when power is ON.
Action and Reset			
Action level		Hardware detection	
Action time		Immediately act when the fault is detected	
Fault treatment parameter		N/A	
Reset method		Power-off	
Reset condition		N/A	
Record		Yes	
Cause		Corrective Actions	
Hardware failure		Cycle the power. If Hd6 still exists, return to the factory for repair.	

ID*	Display on LCD Keypad	Fault Name	Fault Descriptions
141	b4GFF	GFF occurs before run (b4GFF)	The ground short circuit detected when the output wiring detection is performed before the drive runs.
Action and Reset			
Action level		250% of the rated current	
Action time		Immediately act	
Fault treatment parameter		N/A	
Reset method		Manual reset	
Reset condition		Reset in five seconds after the fault is cleared	
Record		Yes	
Cause		Corrective Actions	
Incorrect wiring for the motor		Check if the motor's internal wiring and the UVW wiring of the drive output terminal are correct.	
Short-circuit at motor output due to poor insulation wiring		Check the motor cable and remove causes of the short circuits, or replace the cable before turning on the power.	
Check for possible burnout or aging insulation of the motor		Check the motor insulation value with megger. Replace the motor if the insulation is poor.	

ID*	Display on LCD Keypad	Fault Name	Fault Descriptions
142	AuE1	Auto-tune error 1 (AuE1)	No feedback current error when the motor parameter automatically detects
Action and Reset			
Action level		Software detection	
Action time		Immediately act	
Fault treatment parameter		N/A	
Reset method		Manual reset	
Reset condition		Immediately reset	
Record		Yes	
Cause		Corrective Actions	
Motor is not wired		Wire the motor correctly	
The electromagnetic contactor is used as an open state on the output side of the drive (U/V/W).		Check if the electromagnetic valve is closed.	

ID*	Display on LCD Keypad	Fault Name	Fault Descriptions
143	AuE2	Auto-tune error 2 (AuE2)	Motor phase loss error when the motor parameter automatically detects
Action and Reset			
Action level		Software detection	
Action time		Immediately act	
Fault treatment parameter		N/A	
Reset method		Manual reset	
Reset condition		Immediately reset	
Record		Yes	
Cause		Corrective Actions	
Incorrect motor wiring		Wire the motor correctly.	
Motor error		Check if the motor works normally.	
The electromagnetic contactor is used as an open state on the output side of the drive (U/V/W).		Verify that the three-phases of the electromagnetic valve are all closed.	
Motor U/V/W wire error		Check if the wires are broken.	

ID*	Display on LCD Keypad	Fault Name	Fault Descriptions
144	AuE3	Auto-tune error 3 (AuE3)	No load current I_0 measurement error when the motor parameter automatically detects.
Action and Reset			
Action level		Software detection	
Action time		Immediately act	
Fault treatment parameter		N/A	
Reset method		Manual reset	
Reset condition		Immediately reset	
Record		Yes	
Cause		Corrective Actions	
Incorrect settings for the motor parameter (rated current)		Check the settings for Pr.05-01 / Pr.05-13 / Pr.05-34.	
Motor error		Check if the motor works normally.	

[This page intentionally left blank]

Chapter 15 CANopen Overview

- 15-1 CANopen Overview
- 15-2 Wiring for CANopen
- 15-3 CANopen Communication Interface Descriptions
- 15-4 CANopen Supported Index
- 15-5 CANopen Fault Codes
- 15-6 CANopen LED Function

The built-in CANopen function is a kind of remote control. You can control the AC motor drive using the CANopen protocol. CANopen is a CAN-based higher layer protocol that provides standardized communication objects, including real-time data (Process Data Objects, PDO), configuration data (Service Data Objects, SDO), and special functions (Time Stamp, Sync message, and Emergency message). It also has network management data, including Boot-up message, NMT message, and Error Control message. Refer to the CiA website <http://www.can-cia.org/> for details.

Delta CANopen supported functions:

- Supports CAN2.0A Protocol
- Supports CANopen DS301 V4.02
- Supports DSP-402 V2.0

Delta CANopen supported services:

- PDO (Process Data Objects): PDO1–PDO4
- SDO (Service Data Objects):
Initiate SDO Download;
Initiate SDO Upload;
Abort SDO;
You can use the SDO message to configure the slave node and access the Object Dictionary in every node.
- SOP (Special Object Protocol):
Supports default COB-ID in Predefined Master/Slave Connection Set in DS301 V4.02;
Supports SYNC service;
Supports Emergency service.
- NMT (Network Management):
Supports NMT module control;
Supports NMT Error control;
Supports Boot-up.

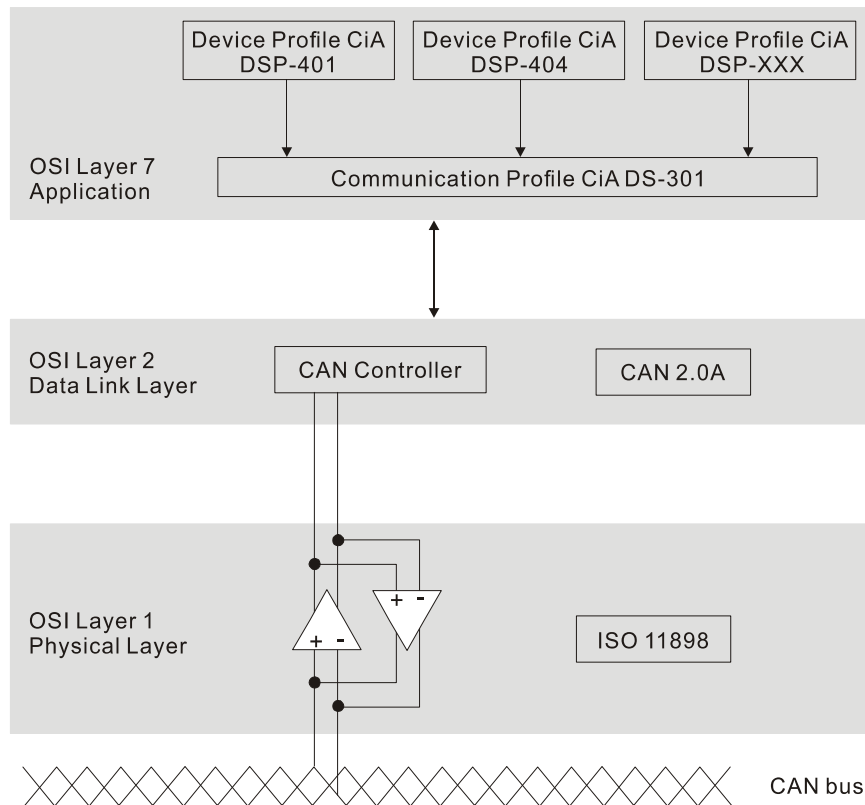
Delta CANopen does not support this service:

- Time Stamp service

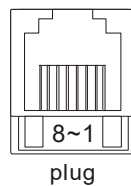
15-1 CANopen Overview

• CANopen Protocol

CANopen is a CAN-based higher layer protocol, and was designed for motion-oriented machine control networks such as handling systems. Version 4.02 of CANopen (CiA DS301) is standardized as EN50325-4. The CANopen specifications cover the application layer and communication profile (CiA DS301), as well as a framework for programmable devices (CiA DS302), recommendations for cables and connectors (CiA DS303-1) and SI units and prefix representations (CiA DS303-2).



RJ45 Pin Definition



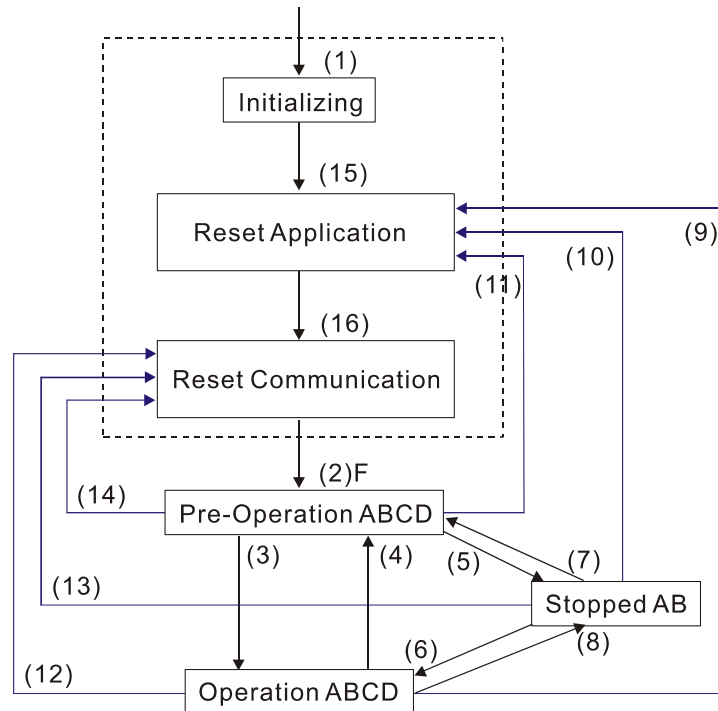
PIN	Signal	Description
1	CAN_H	CAN_H bus line (dominant high)
2	CAN_L	CAN_L bus line (dominant low)
3	CAN_GND	Ground / 0 V / V-
6	CAN_GND	Ground / 0 V / V-

• CANopen Communication Protocol contains the following services:

- NMT (Network Management Object)
- SDO (Service Data Objects)
- PDO (Process Data Objects)
- EMCY (Emergency Object)

NMT (Network Management Object)

The Network Management (NMT) follows a Master/Slave structure for executing NMT service. A network has only one NMT master, and the other nodes are slaves. All CANopen nodes have a present NMT state, and the NMT master can control the state of the slave nodes. The following shows the state diagram of a node:



- (1) After power is applied, start in the auto-initialization state
- (2) Automatically enter the pre-operational state
- (3) (6) Start remote node
- (4) (7) Enter the pre-operational state
- (5) (8) Stop remote node
- (9) (10) (11) Reset node
- (12) (13) (14) Reset communication
- (15) Automatically enter the reset application state
- (16) Automatically enter the reset communication state

- A: NMT
- B: Node Guard
- C: SDO
- D: Emergency
- E: PDO
- F: Boot-up

	Initializing	Pre-Operational	Operational	Stopped
PDO			○	
SDO		○	○	
SYNC		○	○	
Time Stamp		○	○	
EMCY		○	○	
Boot-up	○			
NMT		○	○	○

SDO (Service Data Objects)

Use SDO to access the Object Dictionary in every CANopen node using the Client/Server model. One SDO has two COB-IDs (request SDO and response SDO) to upload or download data between two nodes. There is no data limit for SDOs to transfer data, but it must transfer data by segment when the data exceeds four bytes with an end signal in the last segment. However, MS300 series does not support transferring data by segment.

The Object Dictionary (OD) is a group of objects in a CANopen node. Every node has an OD in the system, and OD contains all parameters describing the device and its network behavior. The access path in the OD is the index and sub-index; each object has a unique index in the OD, and has a sub-index if necessary.

Type		Data 0								Data 1	Data 2	Data 3	Data 4	Data 5	Data 6	Data 7
		7	6	5	4	3	2	1	0	Index	Index	Index	Data	Data	Data	Data
		command								L	H	Sub	LL	LH	HL	HH
Domain Download	Client	0	0	1	-	N	E	S								
	Server	0	1	1	-	-	-	-								
Domain Upload	Client	0	1	0	-	-	-	-								
	Server	0	1	0	-	N	E	S								
Abort Domain Transfer	Client	1	0	0	-	-	-	-								
	Server	1	0	0	-	-	-	-								

N: Bytes not used; E: normal (0) / transferred (1); S: data size

PDO (Process Data Objects)

PDO communication can be described by the producer/consumer model. Each node of the network listens to the messages of the transmission node and distinguishes whether the message has to be processed or not after receiving the message. A PDO can be transmitted from one device to one another device or to many other devices. Every PDO has two PDO services: a TxPDO and an RxPDO. PDOs are transmitted in a non-confirmed mode. All transmission types are listed in the following table

Type Number	PDO				
	Cyclic	Acyclic	Synchronous	Asynchronous	RTR only
0		○	○		
1–240	○		○		
241–251	Reserved				
252			○		○
253				○	○
254				○	
255				○	

- Type number 1–240 indicates the number of SYNC message between two PDO transmissions.
- Type number 252 indicates the data is updated (but not sent) immediately after receiving SYNC.
- Type number 253 indicates the data is updated immediately after receiving RTR.
- Type number 254: Delta CANopen does not support this transmission format.
- Type number 255 indicates the data is an asynchronous transmission.

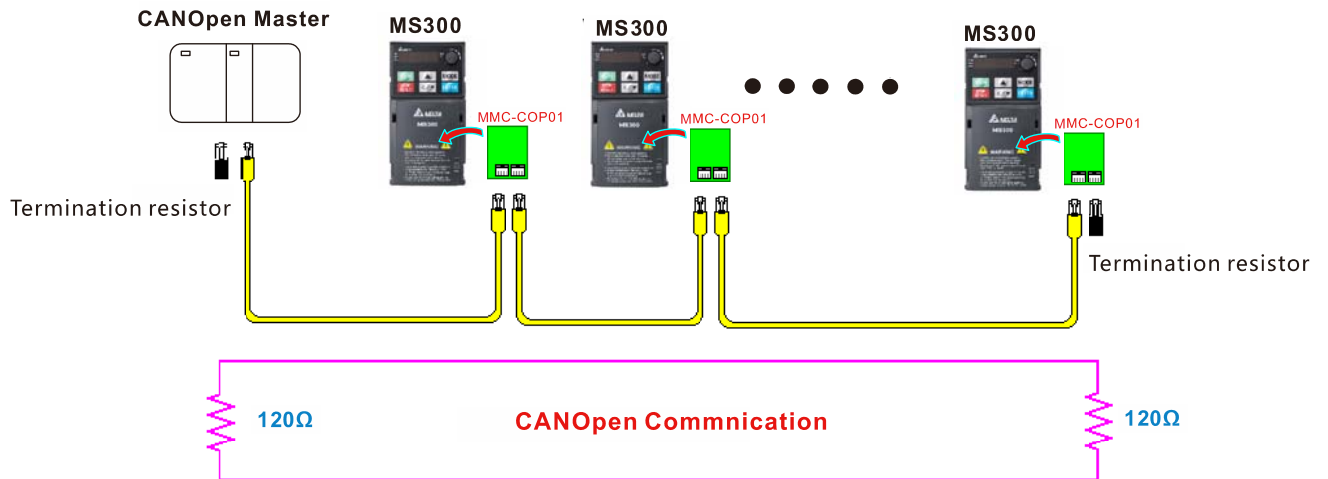
All PDO transmission data must be mapped to the index with Object Dictionary.

EMCY (Emergency Object)

When errors occur inside the hardware, an emergency object is triggered. An emergency object is only sent when an error occurs. As long as there is nothing wrong with the hardware, there is no emergency object warning of an error message.

15-2 Wiring for CANopen

Use an external CANopen communication card MMC-COP01 for CANopen wiring to connect the CANopen to the MS300 drive. The link uses an RJ45 cable. You must wire the two farthest ends with $120\ \Omega$ terminating resistors as shown in the picture below.



15-3 CANopen Communication Interface Descriptions

15-3-1 CANopen Control Mode Selection

There are two control modes for CANopen: the DS402 standard (Pr.09-40=1) is the default, and the Delta's standard setting (Pr.09-40=0). There are two control modes according to Delta's standard. One is the old control mode (Pr.09-30=0); this control mode can only control the motor drive under the frequency control. The other mode is a new standard (Pr.09-30=1); this new control mode allows the motor drive to be controlled under all kinds of modes. The MS300 currently supports the speed mode. For torque, position and home mode, refer to MH300 series. The following table shows the control mode definitions:

CANopen Control Mode	Control Mode	
	Speed	
	Index	Description
DS402 Standard Pr.09-40=1	6042-00	Target rotating speed (RPM)
	----	----
Delta Standard (Old definition) Pr.09-40=0, Pr.09-30=0	2020-02	Target rotating speed (Hz)
Delta Standard (New definition) Pr.09-40=0, Pr.09-30=1	2060-03	Target rotating speed (Hz)
	2060-04	Torque limit (%)

CANopen Control Mode	Operation Control	
	Index	Description
	DS402 Standard Pr.09-40=1	6040-00
----		----
Delta Standard (Old definition) Pr.09-40=0, Pr.09-30=0	2020-01	Operation Command
Delta Standard (New definition) Pr.09-40=0, Pr.09-30=1	2060-01	Operation Command
	----	----

CANopen Control Mode	Others	
	Index	Description
	DS402 Standard Pr.09-40=1	605A-00
605C-00		Disable operation processing mode
Delta Standard (Old definition) Pr.09-40=0, Pr.09-30=0	----	----
Delta Standard (New definition) Pr.09-40=0, Pr.09-30=1	----	----
	----	----

You can use some indices in either DS402 or Delta's standard. For example:

1. Indices that are defined as RO attributes.
2. The corresponding index of available parameter groups: (2000–200B-XX)
3. Acceleration/Deceleration Index: 604F 6050

15-3-2 DS402 Standard Control Mode

15-3-2-1 Related settings for an AC motor drive (following the DS402 standard)

If you want to use the DS402 standard to control the motor drive, follow these steps:

1. Wire the hardware (refer to Section 15-2 Wiring for CANopen).
2. Set the operation source: set Pr.00-21 to 3 for CANopen communication card control.
3. Set the frequency source: set Pr.00-20 to 6. Choose the source for the Frequency command from the CANopen setting.
4. Set DS402 as the control mode: Pr.09-40=1
5. Set the CANopen station: set Pr.09-36; the range is between 1–127. When Pr.09-36 = 0, the CANopen slave function is disabled. Note that if an error appears (station address error CAdE or CANopen memory error CFrE) when you finish the station setting, set Pr.00-02 = 7 to reset.
6. Set the CANopen baud rate: set Pr.09-37 (CANBUS baud rate: 1 M (0), 500 K (1), 250 K (2), 125 K (3), 100 K (4) or 50 K (5)).
7. Set the multiple input functions to Quick Stop. You can also choose to enable or disable; the default setting is disabled. If it is necessary to enable the function, set MI terminal to 53 in one of the following parameters: Pr.02-01–02-07. Note that this function is available in DS402 only.

15-3-2-2 The status of the motor drive (following the DS402 standard)

According to the DS402 definition, the motor drive is divided into 3 blocks and 9 statuses as described below.

3 blocks

1. Power Disable: without PWM output
2. Power Enable: with PWM output
3. Fault: one or more errors have occurred.

9 statuses

1. Start: power on
2. Not Ready to Switch On: the motor drive is initiating.
3. Switch On Disable: occurs when the motor drive finishes initiating.
4. Ready to Switch On: warming up before running.
5. Switch On: the motor drive has the PWM output, but the reference command is not effective.
6. Operation Enable: able to control normally.
7. Quick Stop Active: when there is a Quick Stop request, stop running the motor drive.
8. Fault Reaction Active: the motor drive detects conditions which might trigger error(s).
9. Fault: one or more errors have occurred in the motor drive.

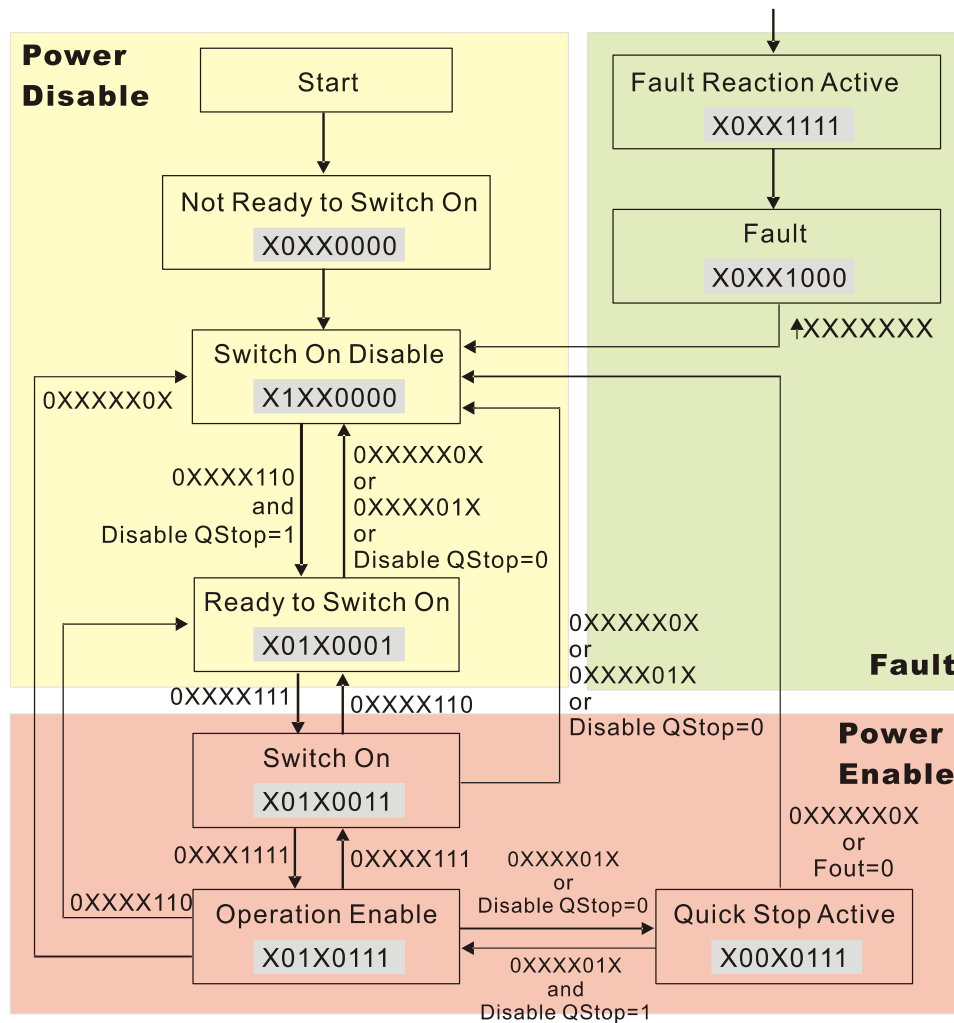
When the motor drive turns on and finishes the initiation, it remains in Ready to Switch On status. To control the operation of the motor drive, change to Operation Enable status. To do this, set the control word's bit0–bit3 and bit7 of the Index 6040H and pair with Index Status Word (Status Word 0X6041). The control steps and index definition are described below.

Index 6040

15–9	8	7	6–4	3	2	1	0
Reserved	Halt	Fault Reset	Operation	Enable operation	Quick Stop	Enable Voltage	Switch On

Index 6041

15–14	13–12	11	10	9	8	7	6	5	4	3	2	1	0
Reserved	Operation	Internal limit active	Target reached	Remote	Reserved	Warning	Switch on disabled	Quick stop	Voltage enabled	Fault	Operation enable	Switch on	Ready to switch on



Set command 6040 = 0xE, and then set another command 6040 = 0xF. Then you can switch the motor drive to Operation Enable. The Index 605A determines the direction of the lines from Operation Enable when the control mode changes from Quick Stop Active. When the setting value is 1–3, both direction lines are active, but when the setting value of 605A is not 1–3, once the motor drive is switched to Quick Stop Active, it is not able to switch back to Operation Enable...

Index	Sub	Definition	Default	R/W	Size	Unit	PDO Map	Mode	note
605Ah	0	Quick stop option code	2	RW	S16		No		0: Disable drive function
									1: Slow down on slow down ramp
									2: Slow down on quick stop ramp
									5: Slow down on slow down ramp and stay in Quick Stop
									6: Slow down on quick stop ramp and stay in Quick Stop
7: Slow down on the current limit and stay in Quick stop									

When the control block switches from Power Enable to Power Disable, use 605C to define the stop method.

Index	Sub	Definition	Default	R/W	Size	Unit	PDO Map	Mode	note
605Ch	0	Disable operation option code	1	RW	S16		No		0: Disable drive function 1: Slow down with slow down ramp; disable the drive function.

15-3-2-3 Various mode control method (following the DS402 standard)

MS300 supports the speed control mode. The speed control mode is described below.

Speed mode:

1. Set MS300 to the speed control mode: set Index6060 to 2.
2. Switch to Operation Enable mode: set 6040 = 0xE, and then set 6040 = 0xF.
3. Set the target frequency: set target frequency for 6042. Since the operation unit of 6042 is rpm, a conversion is required.

$$n = f \times \frac{120}{p} \quad n: \text{rotation speed (rpm) (revolutions/minute)}$$

P: number of poles of the motor (Pole)

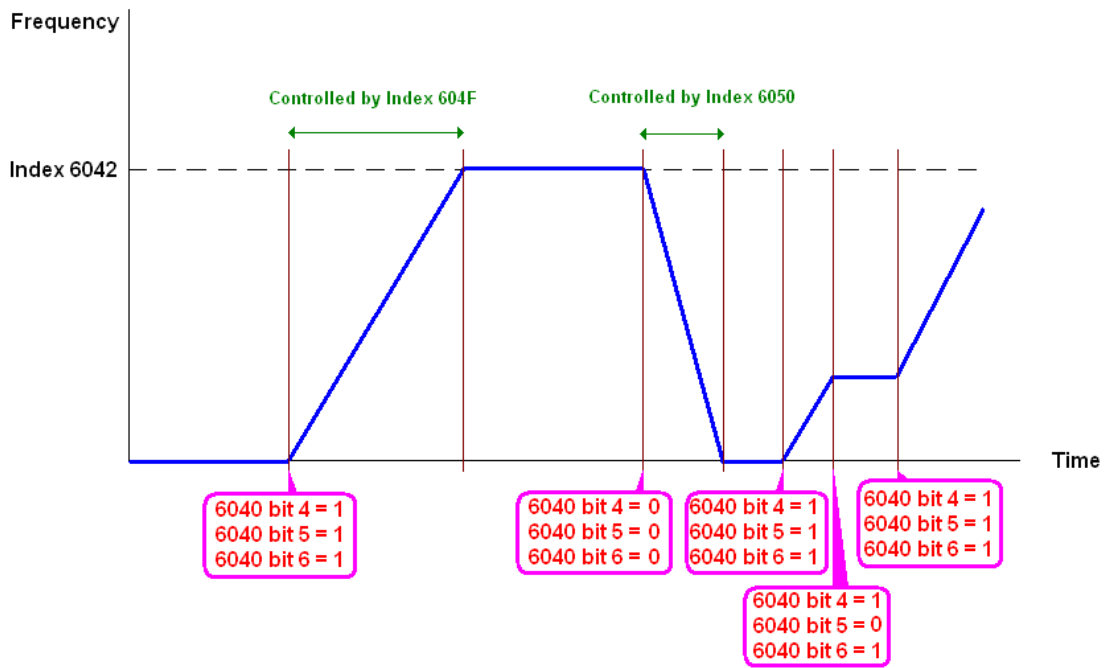
f: rotation frequency (Hz)

For example:

Set 6042H = 1500 (rpm), if the number of poles for the drive is 4 (Pr.05-04, Pr.05-16, Pr.05-67 or Pr.05-73), then the motor drive's operation frequency is 1500 (120/4) = 50 Hz. The 6042 is defined as a signed operation. The plus or minus sign means to rotate clockwise or counter-clockwise.

4. To set acceleration and deceleration: use 604F (Acceleration) and 6050 (Deceleration).
5. Trigger an ACK signal: in the speed control mode, control the bit 6–4 of Index 6040. It is defined below.

	Index 6040			Result
	bit 6	bit 5	bit 4	
Speed mode (Index 6060 = 2)	1	0	1	Locked at the current frequency.
	1	1	1	Run to reach the target frequency.
	Other			Decelerating to 0 Hz.



NOTE 1: Read 6043 to get the current rotation speed (unit: rpm)

NOTE 2: Read bit 10 of 6041 to check if the rotation speed has reached the targeting value (0: Not reached; 1: Reached).

15-3-3 Using the Delta Standard (Old definition, only supports speed mode)

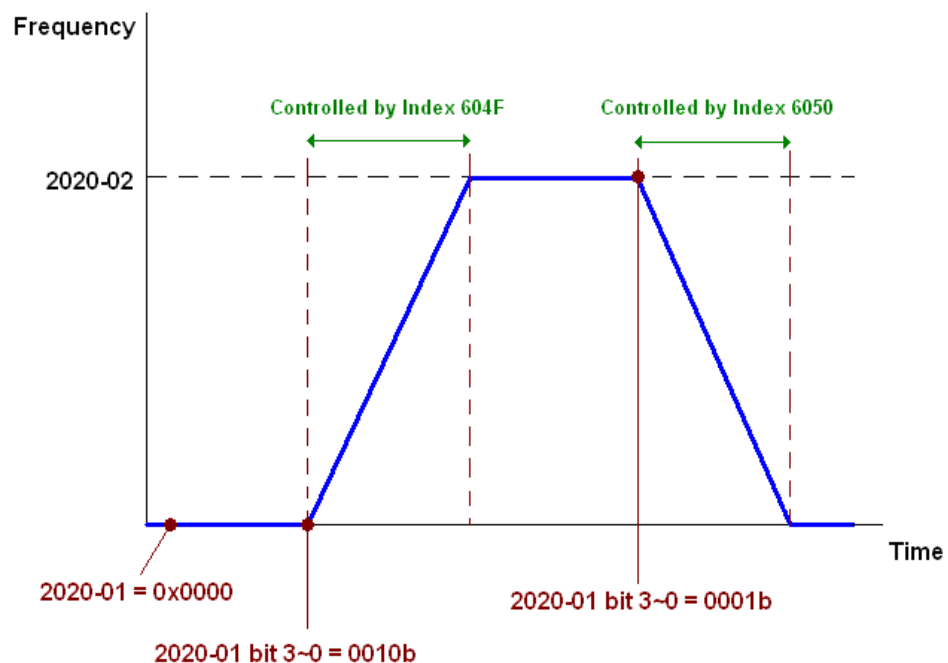
15-3-3-1 Various mode control method (following the Delta old standard)

If you want to use the Delta old standard to control the motor drive, follow these steps:

1. Wire the hardware (refer to Section 15-2 Wiring for CANopen).
2. Set the operation source: set Pr.00-21 to 3 for CANopen communication card control.
3. Set the frequency source: set Pr.00-20 to 6. Choose the source for the Frequency command from the CANopen setting.
4. Set Delta Standard (Old definition, only supports speed mode) as the control mode: Pr.09-40 = 0 and Pr.09-30 = 0.
5. Set the CANopen station: set Pr.09-36; the range is between 1–127. When Pr.09-36 = 0, the CANopen slave function is disabled. Note that if an error appears (station address error CAdE or CANopen memory error CFrE) when you finish the station setting, set Pr.00-02 = 7 to reset.
6. Set the CANopen baud rate: set Pr.09-37 (CANBUS baud rate: 1 M (0), 500 K (1), 250 K (2), 125 K (3), 100 K (4) and 50 K (5))

15-3-3-2 The control method under speed mode

1. Set the target frequency: set 2020-02, the unit is Hz, with 2 decimal places. For example, 1000 is 10.00 Hz.
2. Operation control: set 2020-01 = 0002H for running, and set 2020-01 = 0001H for stopping.



15-3-4 By Using Delta Standard (New Definition)

15-3-4-1 Related settings for an AC motor drive (following the Delta new standard)

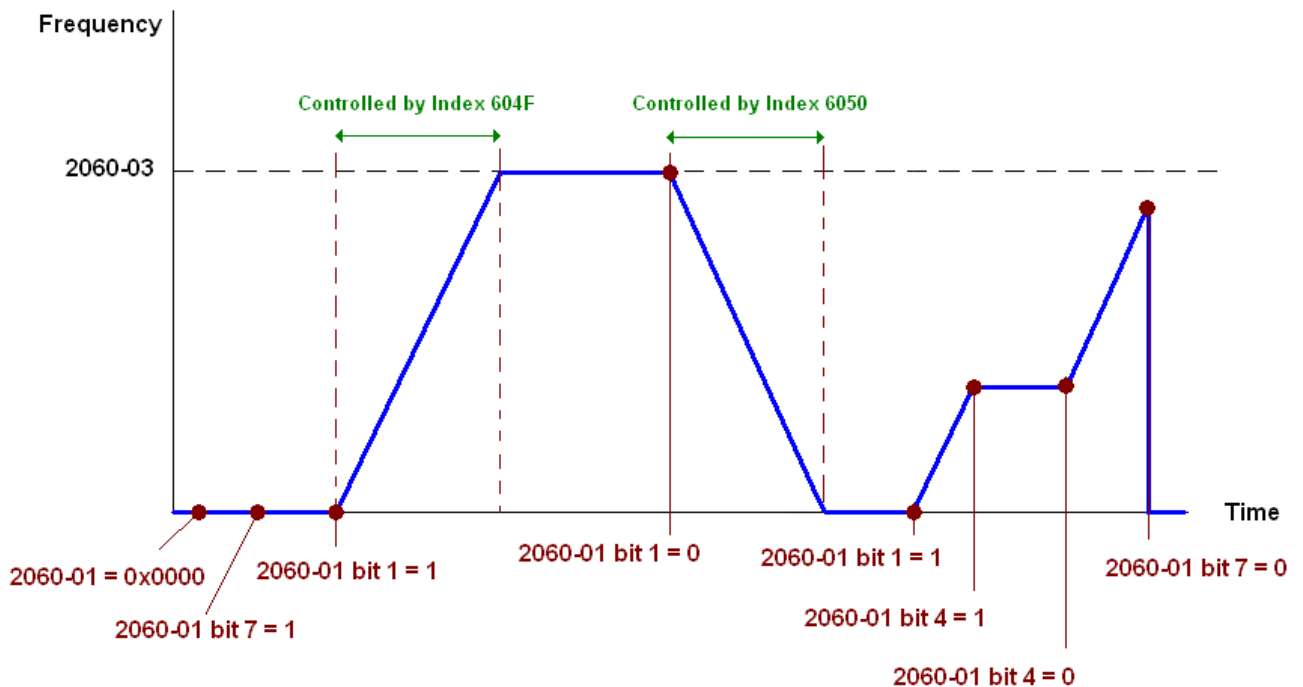
If you want to use the Delta new standard to control the motor drive, follow these steps:

1. Wire the hardware (refer to Section 15-2 Wiring for CANopen).
2. Set the operation source: set Pr.00-21 to 3 for CANopen communication card control.
3. Set the frequency source: set Pr.00-20 to 6. Choose the source for the Frequency command from the CANopen setting.
4. Set Delta Standard (New definition) as the control mode: Pr.09-40 = 0 and 09-30 = 1.
5. Set the CANopen station: set Pr.09-36; the range is between 1–127. When Pr.09-36=0, the CANopen slave function is disabled. Note that if an error appears (station address error CAde or CANopen memory error CFrE) when you finish the station setting, set Pr.00-02 = 7 to reset.
6. Set the CANopen baud rate: set Pr.09-37 (CANBUS baud rate: 1 M (0), 500 K (1), 250 K (2), 125 K (3), 100 K (4) and 50 K (5))

15-3-4-2 Various mode control method (Delta New Standard)

Speed Mode:

1. Set MS300 to speed control mode: set index 6060 = 2.
2. Set the target frequency: set 2060-03, unit is Hz, with 2 decimal places. For example, 1000 is 10.00 Hz.
3. Operation control: set 2060-01 = 008H for server on, and set 2060-01 = 0081H for running.



15-3-5 Control DI / DO / AI / AO through CANopen

To control the DO and AO of the motor drive through CANopen, follow these steps:

1. Define the DO to be controlled by CANopen. For example, set Pr.02-13 = 50 to control RY1.
2. Define the AO to be controlled by CANopen. For example, set Pr.03-20 = 20 to control AFM.
3. Control the Index mapped by CANopen. To control DO, use control Index 2026-41. To control AO, use control 2026-A1. To set RY1 as ON, set bit 0 of Index 2026-41 = 1, then RY1 outputs 1. To control AFM output = 50.00%, set Index 2026-A1 = 5000, then AFM outputs 50%.

The following table shows the mapping of CANopen DI / DO / AI / AO:

DI:

Terminal	Related Parameters	R/W	Mapping Index
MI 1	==	RO	2026-01 bit 0
MI 2	==	RO	2026-01 bit 1
MI 3	==	RO	2026-01 bit 2
MI 4	==	RO	2026-01 bit 3
MI 5	==	RO	2026-01 bit 4
MI 6	==	RO	2026-01 bit 5
MI 7	==	RO	2026-01 bit 6

DO:

Terminal	Related Parameters	R/W	Mapping Index
RY	Pr.02-13 = 50	RW	bit 0 of 2026-41 initial value 0x01
MO1	Pr.02-16 = 50	RW	bit 3 of 2026-41 initial value 0x01
MO2	Pr.02-17 = 50	RW	bit 4 of 2026-41 initial value 0x01

AI:

Terminal	Related Parameters	R/W	Mapping Index
AVI	==	RO	Value of 2026-61
ACI	==	RO	Value of 2026-62

AO:

Terminal	Related Parameters	R/W	Mapping Index
AFM	Pr.03-20 = 20	RW	Value of 2026-A1

15-4 CANopen Supported Index

MS300 Supported Parameter Index:

The parameter index corresponds as shown in this example:

Index	sub-Index
2000H + Group	member+1

For example:

Pr.10-15 (Encoder Stall and Slip Error Action)

Group	-	member
10(0AH)		15(0FH)

Index = 2000H + 0AH = 200A

Sub-Index = 0FH + 1H = 10H

MS300 Supported Control Index:

Delta Standard Mode (Old Definition)

Index	Sub	Definition	Default	R/W	Size	Note	
2020H	0	Number	3	R	U8		
	1	Control word	0	RW	U16	bit 1–0	00B: Disable 01B: Stop 10B: Disable 11B: JOG Enable
						bit 3–2	Reserved
						bit 5–4	00B: Disable 01B: Direction forward 10B: Direction reverse 11B: Switch direction
						bit 7–6	00B: 1 st step accel. /decel. 01B: 2 nd step accel. /decel. 10B: 3 rd step accel. /decel. 11B: 4 th step accel. /decel.
						bit 11–8	0000B: Master speed 0001B: 1 st step speed 0010B: 2 nd step speed 0011B: 3 rd step speed 0100B: 4 th step speed 0101B: 5 th step speed 0110B: 6 th step speed 0111B: 7 th step speed 1000B: 8 th step speed 1001B: 9 th step speed 1010B: 10 th step speed 1011B: 11 th step speed 1100B: 12 th step speed 1101B: 13 th step speed 1110B: 14 th step speed 1111B: 15 th step speed
						bit 12	1: Enable the function of bit 6–11
						bit 14–13	00B: No function 01B: Operation command by the digital keypad 10B: Operation command by Pr.00-21 setting 11B: Switch the operation command source
						bit 15	Reserved

Index	Sub	Definition	Default	R/W	Size	Note	
2020H	2	Freq. command (XXX.XX Hz)	0	RW	U16		
	3	Other trigger	0	RW	U16	bit 0 1: E.F. ON	
						bit 1 1: Reset	
						bit2 1: Base Block (B.B) ON	
						bit 15–3 Reserved	
2021H	0	Number	DH	R	U8		
	1	Error code	0	R	U16	High byte: Warning Code Low Byte: Error Code	
	2	AC motor drive status	0	R	U16	bit 1–0 00B: Stop	
						01B: Decelerate to stop	
						10B: Waiting for operation command	
						11B: In operation	
					bit 2 1: JOG command		
					bit 4–3 00B: Run forward		
						01B: Switch from run in reverse to run forward	
						10B: Switch from run forward to run in reverse	
						11B: Run in reverse	
					bit 7–5 Reserved		
					bit 8 1: Master Frequency command controlled by communication interface		
					bit 9 1: Master Frequency command controlled by analog signal input		
					bit 10 1: Operation command controlled by communication interface		
					bit11 1: Parameter lock		
					bit12 1: Enable the digital keypad copy parameter function		
					bit 15–13 Reserved		
		3	Frequency command (XXX.XXHz)	0	R	U16	
		4	Output freq. (XXX.XX Hz)	0	R	U16	
	5	Output current (XX.XA)	0	R	U16		
	6	DC bus voltage (XXX.X V)	0	R	U16		
	7	Output voltage (XXX.X V)	0	R	U16		
	8	The current step run by the multi-step speed command	0	R	U16		
	9	Reserved	0	R	U16		
	A	Display counter value (c)	0	R	U16		
	B	Display output power factor angle (XX.X°)	0	R	U16		
	C	Display output torque (XX.X%)	0	R	U16		
	D	Display motor speed (rpm)	0	R	U16		
	E	Reserved					
	F	Reserved					
	10	Power output (X.XXX kWh)	0	R	U16		
	17	Multi-function display (Pr.00-04)	0	R	U16		
2022H	0	Reserved	0	R	U16		
	1	Display the drive's output current	0	R	U16		
	2	Counter value	0	R	U16		
	3	Actual output frequency (XXX.XX Hz)	0	R	U16		
	4	DC bus voltage (XXX.X V)	0	R	U16		

Index	Sub	Definition	Default	R/W	Size	Note	
2022H	5	Output voltage (XXX.X V)	0	R	U16		
	6	Power factor angle (XX.X°)	0	R	U16		
	7	Display the output power of U, V, W in kW	0	R	U16		
	8	Display the motor speed estimated by the drive or encoder feedback in rpm	0	R	U16		
	9	Display the positive / negative output torque estimated by the drive (+0.0: positive torque; -0.0: negative torque)	0	R	U16		
	A	Reserved					
	B	Display the PID feedback value after enabling the PID function in % (to two decimal places)	0	R	U16		
	C	Display the AVI analog input terminal signal, 0–10 V corresponds to 0.00–100.00% (see Explanation 1 in Pr.00-04)	0	R	U16		
	D	Display the ACI analog input terminal signal, 4–20 mA / 0–10 V corresponds to 0.00–100.00% (2.) (see Explanation 2 in Pr.00-04)	0	R	U16		
	F	IGBT temperature of the power module in °C	0	R	U16		
	11	The digital input status (ON / OFF), refer to Pr.02-12 (see Explanation 2 in Pr.00-04)	0	R	U16		
	12	The digital output status (ON / OFF), refer to Pr.02-18 (see Explanation 3 in Pr.00-04)	0	R	U16		
	13	Current step for the multi-step speed operation	0	R	U16		
	14	The corresponding CPU digital input pin status (d.) (see Explanation 3 in Pr.00-04)	0	R	U16		
	15	The corresponding CPU digital output pin status (O.) (see Explanation 4 in Pr.00-04)	0	R	U16		
	16	Reserved					
	17	Pulse input frequency (PG2 of the PG card)	0	R	U16		
	18	Reserved					
	1A	Counter value of overload (0.00–100.00%)	0	R	U16		
	1B	GFF in %	0	R	U16		
	1C	DC bus voltage ripples (Unit: V _{DC})	0	R	U16		
	1D	PLC register D1043 data	0	R	U16		
	1E	Magnetic field area of the synchronous motor	0	R	U16		
	1F	User page displays the value in physical measure	0	R	U16		
	20	Output value of Pr.00-05	0	R	U16		
	21	Reserved					
22	Reserved						
23	Reserved						
24	Control mode of the drive 0: speed mode 1: torque mode	0	R	U16			
25	Carrier frequency of the drive	0	R	U16			
26	Reserved						

Index	Sub	Definition	Default	R/W	Size	Note
2022H	27	Motor status				
	28	Output positive/ negative torque of motor drive calculation				
	29	Torque command				
	2A	kWh display				
	2B	Reserved				
	2C	Reserved				
	2D	Reserved				
	2E	Reserved				
	2F	PID target value				
	30	PID offset				
31	PID output frequency					

CANopen Remote IO Mapping

Index	Sub	R/W	Definition
2026H	01h	R	Each bit corresponds to different input terminals.
	02h	R	Each bit corresponds to different input terminals.
	03h–40h	R	Reserved
	41h	RW	Each bit corresponds to different output terminals
	42h–60h	R	Reserved
	61h	R	AVI (%)
	62h	R	ACI (%)
	63h	R	Reserved
	64h–A0h	R	Reserved
A1h	RW	AFM1 (%)	

Index	bit 0	bit 1	bit 2	bit 3	bit 4	bit 5	bit 6	bit 7	bit8	bit9	bit10	bit11	bit12	bit13	bit14	bit15
2026-01	DI	MI1	MI2	MI3	MI4	MI5	MI6	MI7								

1: Control broad I/O (Standard)

Delta Standard Mode (New Definition)

Index	sub	R/W	Size	Descriptions			Speed Mode
				bit	Definition	Priority	
2060h	00h	R	U8				
	01h	RW	U16	0	Ack	4	0: fcmd = 0 1: fcmd = Fset (Fpid)
				1	Dir	4	0: FWD run command 1: REV run command
				2			
				3	Halt	3	0: Drive runs until target speed is reached 1: Drive stops by deceleration setting
				4	Hold	4	0: Drive runs until target speed is reached 1: Frequency stops at current frequency
				5	JOG	4	0: JOG OFF Pulse 1: JOG RUN
				6	QStop	2	Quick Stop
				7	Power	1	0: Power OFF 1: Power ON
				8	Ext_md2	4	0→1: Absolute position cleared
	01h	RW	U16	14–9			
				15	RST	4	Pulse 1: Fault code cleared
	02h	RW	U16		Mode Cmd		0: Speed mode
	03h	RW	U16				Speed command (unsigned decimal)
04h	RW	U16					
05h	RW	S32					
06h	RW						

Index	sub	R/W	Size	Descriptions			Speed Mode
				bit	Definition	Priority	
2060h	07h	RW	U16				
	08h	RW	U16				
2061h	01h	R	U16	0	Arrive		Frequency command reached
				1	Dir		0: Motor FWD run 1: Motor REV run
				2	Warn		Warning occurs
				3	Error		Error detected
				4			
				5	JOG		JOG
				6	QStop		Quick stop
				7	Power On		Switch ON
	15-8						
	02h	R					
	03h	R	U16				Actual output frequency
04h	R						
05h	R	S32				Actual position (absolute)	
06h	R						
07h	R	S16				Actual torque	

DS402 Standard

Index	Sub	Definition	Default	R/W	Size	Unit	PDO Map	Mode	Note
6007h	0	Abort connection option code	2	RW	S16		Yes		0: No action
									2: Disable voltage
									3: Quick Stop
603Fh	0	Error code	0	R0	U16		Yes		
6040h	0	Control word	0	RW	U16		Yes		
6041h	0	Status word	0	R0	U16		Yes		
6042h	0	velocity mode target velocity	0	RW	S16	rpm	Yes	vl	
6043h	0	velocity mode velocity demand	0	RO	S16	rpm	Yes	vl	
6044h	0	velocity mode control effort	0	RO	S16	rpm	Yes	vl	
604Fh	0	velocity mode ramp function time	10000	RW	U32	1ms	Yes	vl	The minimum unit is 100 ms. For example, when it is set to 290 ms, it is regarded as 200 ms. When it is set to 10301 ms, it is regarded as 10300 ms. In addition, it cannot be set to zero.
6050h	0	velocity mode slow down time	10000	RW	U32	1ms	Yes	vl	
6051h	0	velocity mode quick stop time	1000	RW	U32	1ms	Yes	vl	
605Ah	0	Quick stop option code	2	RW	S16		No		0: Disable drive function
									1: Slow down on slow down ramp
									2: Slow down on quick stop ramp
									5: Slow down on slow down ramp and stay in QUICK STOP
		6: Slow down on quick stop ramp and stay in QUICK STOP							
605Ch	0	Disable operation option code	1	RW	S16		No		0: Disable drive function 1: Slow down with slow down ramp; disable the drive function
6060h	0	Mode of operation	2	RW	S8		Yes		2: Velocity mode
6061h	0	Mode of operation display	2	RO	S8		Yes		Same as above

15-5 CANopen Fault Codes

- Refer to settings for Pr.06-17–Pr.06-22 and Pr.14-70–Pr.14-73
- Refer to Chapter 14 Fault Codes for detailed descriptions.

Setting *	Display	Fault code	Description	CANopen fault register (bit 0–7)	CANopen fault code
1	ocR	0001H	Over-current during acceleration	1	2213H
2	ocd	0002H	Over-current during deceleration	1	2213H
3	ocn	0003H	Over-current during steady operation	1	2314H
4	GFF	0004H	Ground fault	1	2240H
6	ocS	0006H	Over-current at stop	1	2314H
7	o \bar{u} R	0007H	Over-current during acceleration.	2	3210H
8	o \bar{u} d	0008H	Over-current during deceleration.	2	3210H
9	o \bar{v} n	009H	Over-voltage during constant speed.	2	3210H
10	o \bar{v} S	000AH	Over-voltage at stop.	2	3210H
11	L \bar{u} R	000BH	Low-voltage during acceleration	2	3220H
12	L \bar{u} d	000CH	Low-voltage during deceleration	2	3220H
13	L \bar{u} n	000DH	Low-voltage at constant speed	2	3220H
14	L \bar{u} S	000EH	Low-voltage at stop	2	3220H
15	orP	000FH	Phase loss protection	2	3130H
16	oH1	0010H	IGBT overheating	3	4310H
18	tH1o	0012H	IGBT temperature detection failure	3	FF00H
21	oL	0015H	Over load	1	2310H
22	EoL1	0016H	Electronic thermal relay 1 protection	1	2310H
23	EoL2	0017H	Electronic thermal relay 2 protection	1	2310H
24	oH3	0018H	Motor overheating	3	FF20H
26	ot1	001AH	Over torque 1	3	8311H
27	ot2	001BH	Over torque 2	3	8311H
28	u \bar{c}	001CH	Under current	1	8321H
31	cF2	001FH	EEPROM read error	5	5530H
33	cd1	0021H	U-phase error	1	FF04H
34	cd2	0022H	V-phase error	1	FF05H
35	cd3	0023H	W-phase error	1	FF06H
36	HdO	0024H	cc hardware error	5	FF07H

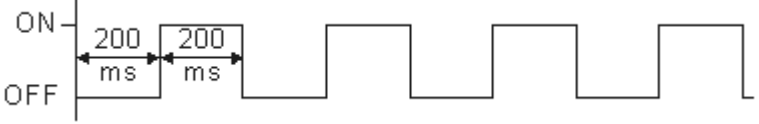
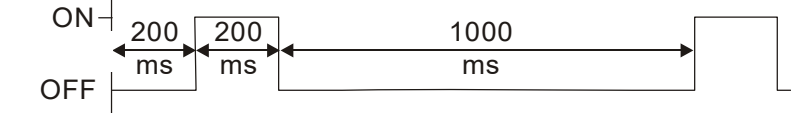
Setting *	Display	Fault code	Description	CANopen fault register (bit 0–7)	CANopen fault code
37	Hd 1	0025H	oc hardware error	5	FF08H
40	AUE	0028H	Auto-tuning error	1	FF21H
41	AFE	0029H	PID loss ACI	7	FF22H
43	PGF2	002BH	PG feedback loss	7	7301H
44	PGF3	002CH	PG feedback stall	7	7301H
45	PGF4	002DH	PG slip error	7	7301H
48	ACE	0030H	ACI loss	1	FF25H
49	EF	0031H	External Fault	5	9000H
50	EF 1	0032H	Emergency stop	5	9000H
51	bb	0033H	External base block	5	9000H
52	Pcod	0034H	Password is locked	5	FF26H
54	CE 1	0036H	Illegal command	4	7500H
55	CE 2	0037H	Illegal data address	4	7500H
56	CE 3	0038H	Illegal data value	4	7500H
57	CE 4	0039H	Data is written to read-only address	4	7500H
58	CE 10	003AH	Modbus transmission time-out	4	7500H
61	Ydc	003DH	Y-connection / Δ-connection switch error	2	3330H
62	dEb	003EH	Deceleration energy backup error	2	FF27H
63	oSl	003FH	Over slip error	7	FF28H
72	StL 1	0048H	STO Loss 1	5	FF30H
76	Sto	004CH	STO	5	FF31H
77	StL 2	004DH	STO Loss 2	5	FF32H
78	StL 3	004EH	STO Loss 3	5	FF33H
79	Roc	0050H	U-phase over-current before run	1	FF2BH
80	boc	0051H	V-phase over-current before run	1	FF2CH
81	coc	0050H	W-phase over-current before run	1	FF2DH
82	oPL 1	0052H	Output phase loss U phase	2	2331H
83	oPL 2	0053H	Output phase loss V phase	2	2332H
84	oPL 3	0054H	Output phase loss W phase	2	2333H
87	oL 3	0057H	Low frequency overload protection	0	8A00H
89	ropd	0059H	Rotor position detection error	0	8A00H

Setting *	Display	Fault code	Description	CANopen fault register (bit 0–7)	CANopen fault code
101	C6dE	0065H	CANopen guarding error	4	8130H
102	CHbE	0066H	CANopen heartbeat error	4	8130H
104	CbFE	0068H	CANopen bus off error	4	8140H
105	CldE	0069H	CANopen index error	4	8100H
106	CADE	006AH	CANopen station address error	4	8100H
107	CFrE	006BH	CANopen index setting exceed limit	4	8100H
111	LctE	006FH	InrCOM time-out error	4	7500H
121	CP20	007AH	Internal communication error	7	FF36H
123	CP22	007CH	Internal communication error	7	FF38H
124	CP30	007DH	Internal communication error	7	FF39H
126	CP32	0080H	Internal communication error	7	FF3BH
127	CP33	0081H	Internal communication error	7	FF3CH
128	ot3	0082H	Over-torque 3	1	2310H
129	ot4	0083H	Over-torque 4	1	2310H
134	EoL3	0088H	Internal communication error	1	2310H
135	EoL4	0089H	Internal communication error	1	2310H
140	Hd6	008EH	oc hardware error	1	2240H
141	b40FF	0090H	GFF occurs before run	1	2240H
142	AE1	0091H	Auto-tune error 1	1	FF3DH
143	AE2	0092H	Auto-tune error 2	1	FF3EH
144	AE3	0093H	Auto-tune error 3	1	FF3FH

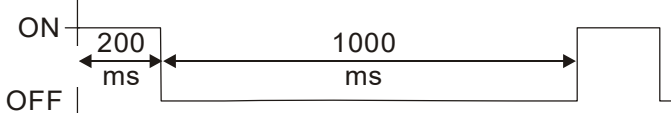
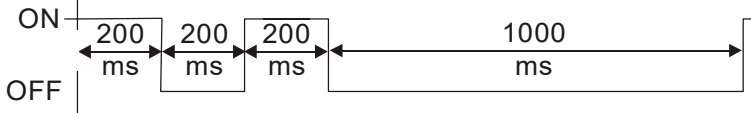
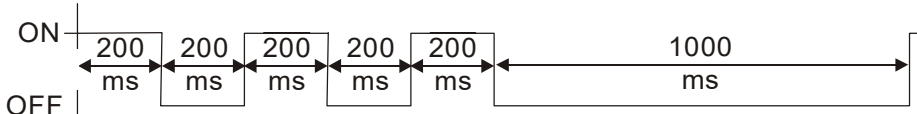
15-6 CANopen LED Function

There are two CANopen flash signs: RUN and ERR.

RUN LED:

LED status	Condition	CANopen Status
OFF	Keep lighting off	Initial
Blinking		Pre-operation
Single flash		Stopped
ON	Keep lighting on	Operation

ERR LED:

LED status	Condition / Status
OFF	No Error
Single flash	At least one CANopen packet failure 
Double flash	Guarding failure or heartbeat failure 
Triple flash	SYNC failure 
ON	Bus off

Chapter 16 PLC Function Applications

- 16-1 PLC Summary
- 16-2 Notes Before Using a PLC
- 16-3 Turn on
- 16-4 Basic Principles of PLC Ladder Diagrams
- 16-5 Various PLC Device Functions
- 16-6 Introduction to the Command Window
- 16-7 Error Display and Handling
- 16-8 Explanation of PLC Speed Mode Control
- 16-9 Count Function Using Pulse Input

16-1 PLC Summary

16-1-1 Introduction

The commands provided by the MS300's built-in PLC functions, including the ladder diagram editing tool WPLSoft, as well as the use of basic commands and application commands, follow the operating methods of Delta's PLC DVP series.

16-1-2 WPLSoft ladder diagram editing tool

WPLSoft is Delta's software program for the DVP and MS300 programmable controllers in Windows operating system environment. In addition to general PLC program design and general Windows editing functions (such as cut, paste, copy, and multiple windows), WPLSoft also provides many features such as Chinese/English annotation editing, registry editing, settings, file reading, saving, and contact graphic monitoring and settings.

Table 16-1 lists the basic requirements for installing the WPLSoft editing software:

Item	System requirements
Operating system	Windows [®] XP / Vista / 7 (32-bit / 64-bit) / 8 / 10 (64-bit)
CPU	At least Pentium 90
Memory	At least 16 MB (we recommend at least 32 MB)
Hard drive	Hard drive capacity: at least 100 MB of free space One optical drive (to install this software)
Display	Resolution: 640×480, at least 16 colors; it is recommended that the screen area be set at 800×600 pixels.
Mouse	Ordinary mouse or Windows-compatible pointing device
Printer	Printer with Windows driver software
RS-485 port	Must have at least an RS-485 port to link to the PLC

Table 16-1

16-2 Notes Before Using a PLC

1. The MS300 provides two communication serial ports that you can use to download programs to the PLC (see Figure 16-1 below).
2. Channel 1 (USB port) communication format is the same as channel 2.
3. Channel 2 has a preset communication format of 7, N, 2, 9600; you can change to ASCII in Pr.09-01 (transmission speed) and Pr.09-04 (communication protocol).
4. The PLC preset is node 2; you can change the PLC node in Pr.09-35 (PLC address), but this address may not be the same as the drive's address setting in Pr.09-00 (communication address).

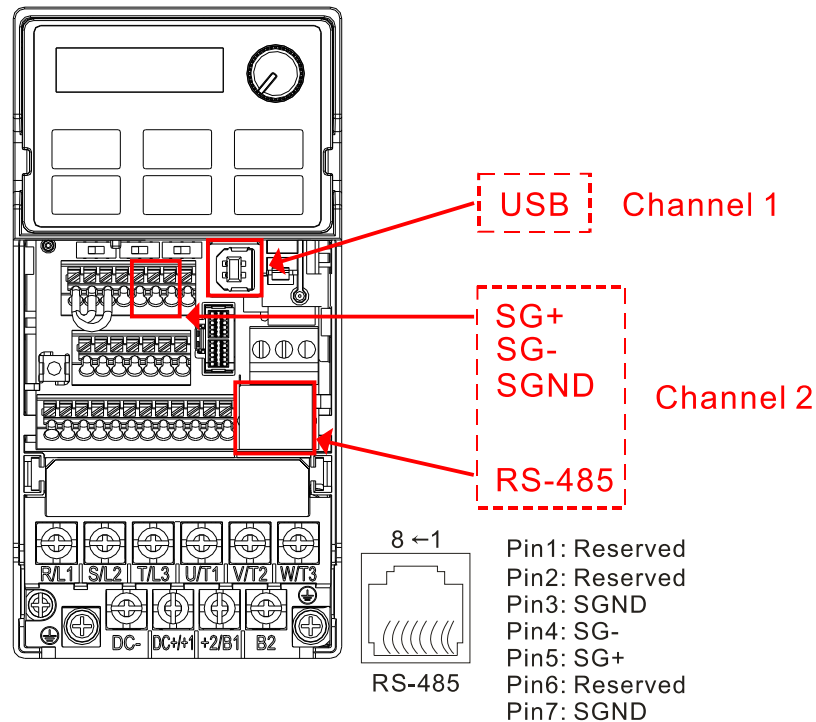
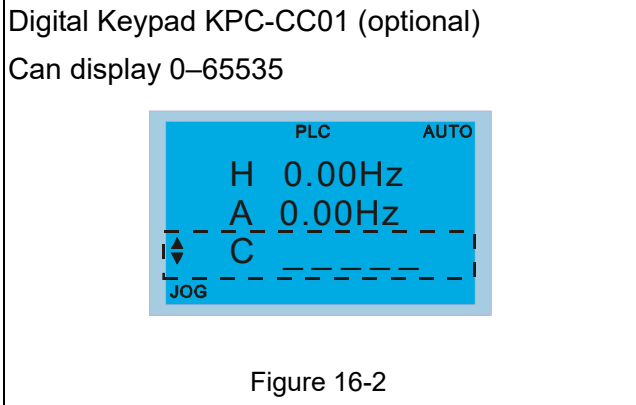


Figure 16-1

5. The host controller can simultaneously access data from the drive and the internal PLC, using the identifier for the node. For instance, if the drive node is 1 and the internal PLC node is 2, then the host controller command depends on the node address:
 - 01 (node) 03 (read) 0400 (address) 0001 (1 data item), indicating that it must read the data in drive Pr.04-00.
 - 02 (node) 03 (read) 0400 (address) 0001 (1 data item), indicating that it must read the data in internal PLC X0.
6. The PLC program is disabled when uploading / downloading programs.
7. Note that when using WPR commands to write parameters, you may modify values up to a maximum of 10^9 times; otherwise, after which a memory write error occurs. The number of modifications depends on whether the parameter value has changed. If you do not change the value, it does not change the number of modifications; however, if the entered value is different from before, the number of modifications increases by one.
8. When you set Pr.00-04 to 28, the displayed value is the value of PLC register D1043, as shown in Figure 16-2 below).



9. In the PLC Run and PLC Stop mode, you cannot set Pr.00-02 to the values 9 or 10, and cannot be reset to the default value.
10. You can reset the PLC to the default value when you set Pr.00-02 to 6.
11. The corresponding MI function is disabled when the PLC writes to input contact X.
12. When the PLC controls the drive operation, the control commands are entirely controlled by the PLC and are not affected by the setting for Pr.00-21.
13. When the PLC controls the drive's Frequency commands (FREQ commands), the Frequency commands are entirely controlled by the PLC, and are not affected by the setting for Pr.00-20 or the HAND ON / OFF configuration.
14. When the PLC controls the drive operation, if the keypad STOP setting is valid, this triggers a FStP error and causes the drive to stop.

16-3 Turn on

16-3-1 Connect the drive to the PC

Start operating the PLC functions with the following steps:

After pressing the MENU key and choosing **10: PLC** on the KPC-CC01 digital keypad (optional), press the ENTER key. And then choose **2: PLC Run** and press the ENTER key (see Figure 16-3 below).

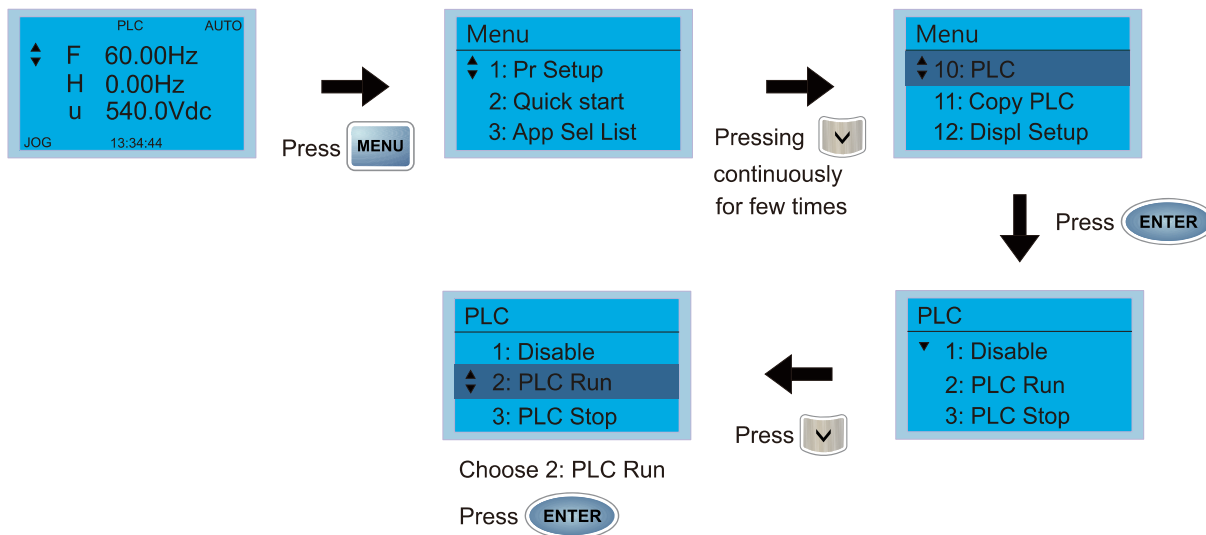


Figure 16-3

1. Wiring: Connect the drive’s RJ45 communications interface to a PC through the RS-485 cable.

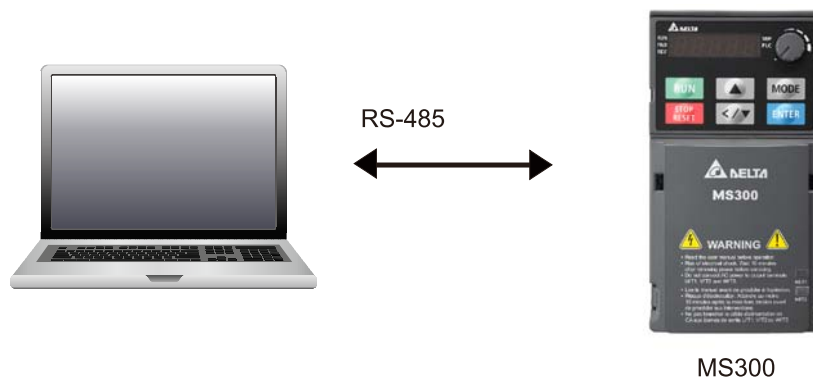


Figure 16-4

2. PLC function usage

Digital keypad KPC-CC01 (optional)

PLC

◆ 1. Disable
2. PLC Run
3. PLC Stop

PLC functions are as shown in Figure 16-5 on the left; select item 2. PLC Run to enable the PLC functions.

1: No function (Disable)
2: Enable PLC (PLC Run)
3: Stop PLC functions (PLC Stop)

Figure 16-5

Digital keypad (KPMS-LE01)



Select PLC1 to enter PLC mode setting (see Figure 16-6).

PLC 0: Do not implement PLC functions

PLC 1: Initiate PLC Run

PLC 2: Initiate PLC Stop

Figure 16-6

- The MS300 automatically switches to PLC mode when the external multi-function input terminals (MI1–MI7) are in PLC Mode selection bit 0 (51) or PLC Mode selection bit1 (52), and the terminal contact is closed or open. In this case, keypad switching is invalid. The corresponding actions are listed in Table 16-2.

PLC mode		PLC Mode selection bit1 (52)	PLC Mode selection bit0 (51)
Using KPC-CC01 (optional)	Using KPMS-LE01		
Disable	PLC 0	OFF	OFF
PLC Run	PLC 1	OFF	ON
PLC Stop	PLC 2	ON	OFF
Maintain previous state	Maintain previous state	ON	ON

Table 16-2

Using the MS300 digital keypad to implement the PLC functions

- When the PLC screen from the keypad is set to PLC0 (or “Disable” on KPC-CC01), the built-in PLC is disabled and you cannot use WPLSoft or ISPSOft to connect to it.
- When the PLC screen from the keypad is set to PLC1 (or “PLC Run” on KPC-CC01), the built-in PLC is enabled and you can use WPLSoft or ISPSOft to connect to it through Modbus.
- When the PLC screen from the keypad is set to PLC2 (or “PLC Stop” on KPC-CC01), the built-in PLC is enabled and you can use WPLSoft or ISPSOft to connect to it. However, the programs in the built-in PLC do not work.
- When the built-in PLC is enabled (PLC1 or PLC2), you can switch between PLC Run or PLC Stop through WPLSoft or ISPSOft.
- The external terminal control method is the same as shown in Table 16-2 above.

NOTE

- When the input / output terminals (MI1–MI7, Relay, and MO) are included in the PLC program, these input / output terminals are used only by the PLC. For example, when the PLC program controls Y0 during PLC operation (PLC1 or PLC2), the corresponding output terminal relay (RA / RB / RC) operates according to the program. At this time, the multifunctional input / output terminal setting has no effect. Because these terminal functions are already being used by the PLC, you can determine the DI / DO / AO in use by the PLC by looking at Pr.02-52, 02-53, and 03-30.
- When the PLC program uses special register D1040, the corresponding AO contact AFM is occupied.

- Pr.03-30 monitors the action state of the PLC function analog output terminals; bit 0 corresponds to the AFM action state.

16-3-2 I/O device explanation

Input devices:

PLC input relay	X0	X1	X2	X3	X4	X5	X6	X7	X10	X11	X12	X13	X14	X15	X16	X17
Drive input terminal	MI1	MI2	MI3	MI4	MI5	MI6	MI7									

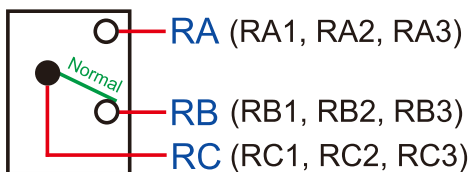
Table 16-3

Output devices:

PLC output relay	Y0	Y1	Y2	Y3	Y4	Y5	Y6	Y7	Y10	Y11	Y12	Y13	Y14	Y15	Y16	Y17
Drive output terminal	RY			MO1	MO2											

Table 16-3

RY1 / RY2 / RY3




RY10 / RY11 / RY12



Figure 16-7

16-3-3 Installing WPLSoft

Download and install WPLSoft editing software on Delta’s website: 

After you install WPLSoft, the WPLSoft program is located in the folder “C:\Program Files\Delta Industrial Automation\WPLSoft x.xx”.

16-3-4 Program writing

Step 1. You can run the editing software by double-clicking the WPLSoft icon (see Figure 16-8).

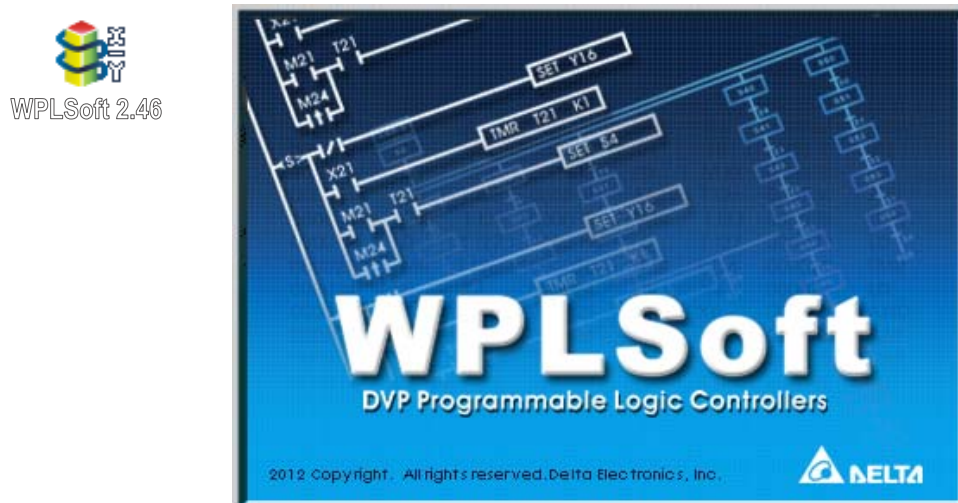


Figure 16-8 Left: WPLSoft icon; right: start screen

Step 2. Then the WPLSoft editing window appears (see Figure 16-9 below). When running the WPLSoft for the first time, before you create a new project file, the menu bar shows only **File**, **View**, **Communication**, **Options**, and **Help** menus.

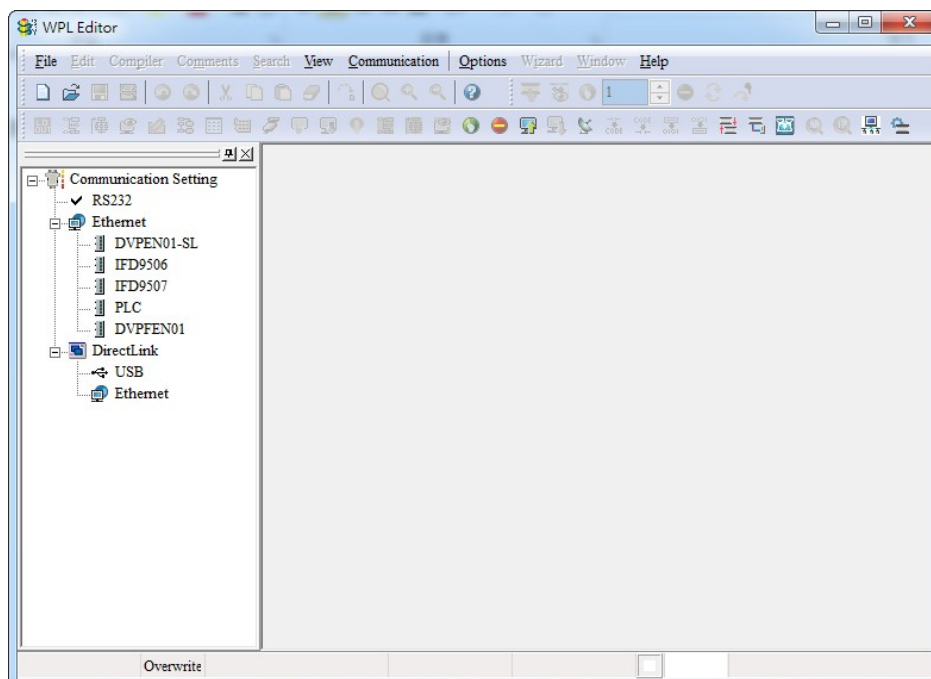


Figure 16-9

NOTE The next time you run WPLSoft, the program opens the last project file you edited. Figure 16-10 describes the main parts of the WPLSoft editing window.

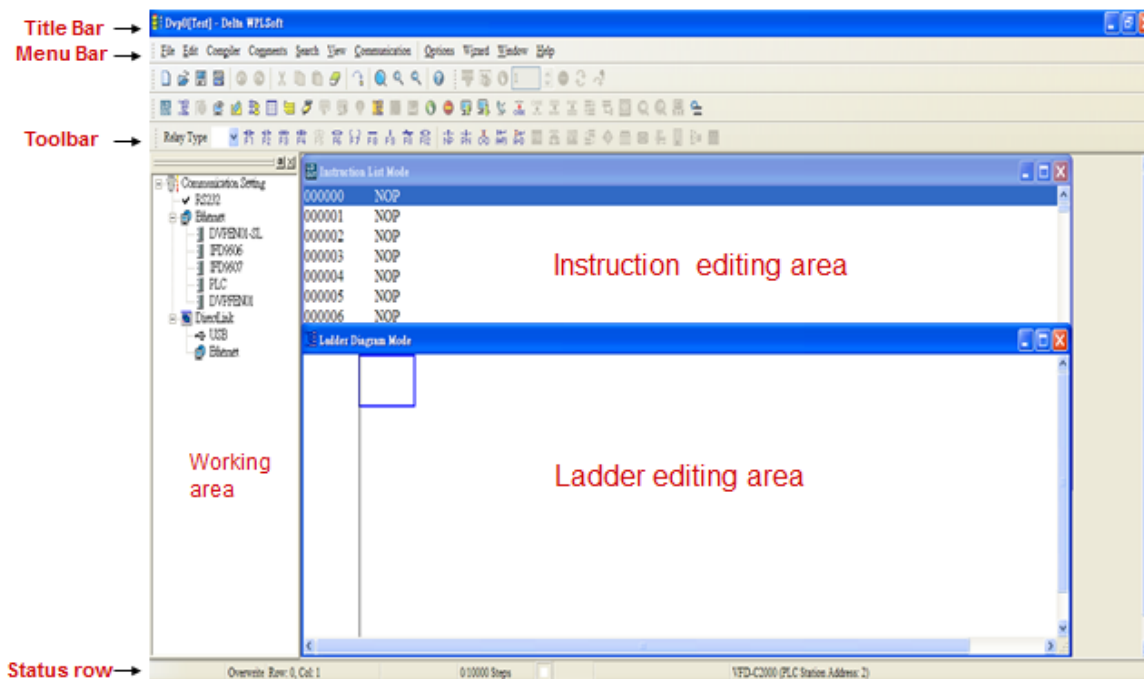


Figure 16-10


Step 3. To open a new project file, on the Toolbar, click the New  button (or press Ctrl+N) (see Figure 16-11).



Figure 16-11

NOTE Alternatively, on the **File** menu, click **New (Ctrl+N)** (see Figure 16-12).

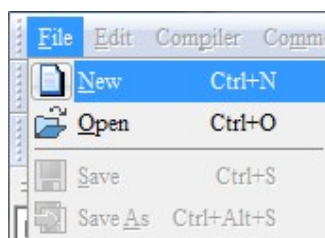


Figure 16-12

Step 4. This displays the **Select a PLC Model** dialog box where you can enter the **Program Title**, **File Name**, and select the device and communication settings (see Figure 16-13).

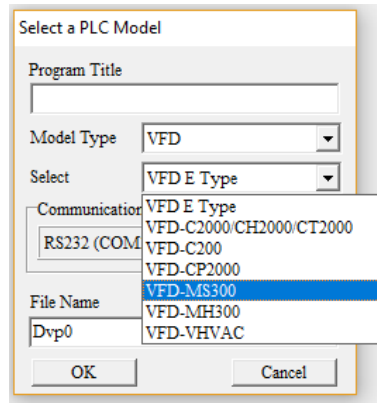


Figure 16-13

In the **Communication Setting** dialog box, define the communication settings and then click **OK**.

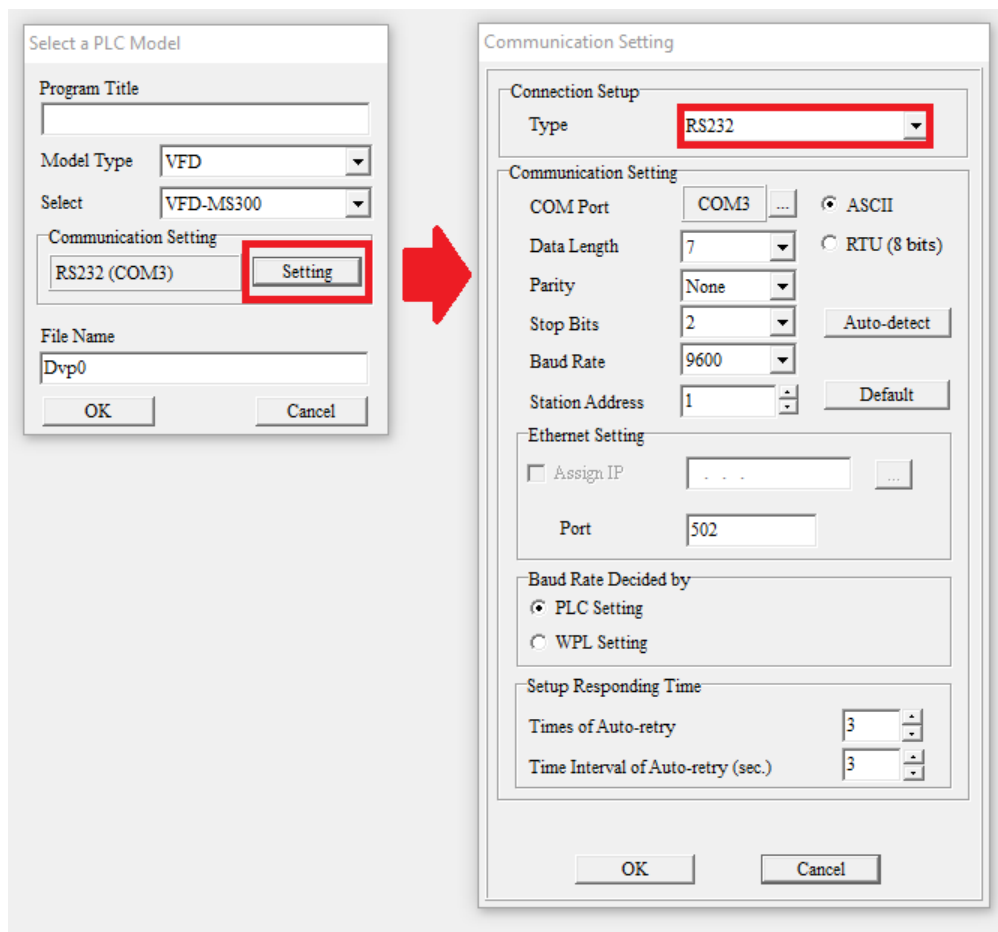


Figure 16-14

NOTE When using USB port (MS300 / MH300 series) to connect to the drive, select RS232 for the Connection Setup.

Step 5. After clicking **OK**, you can then begin editing the program. There are two program editing methods: you can edit in the command mode, or edit in the ladder diagram mode (see Figure 16-15).

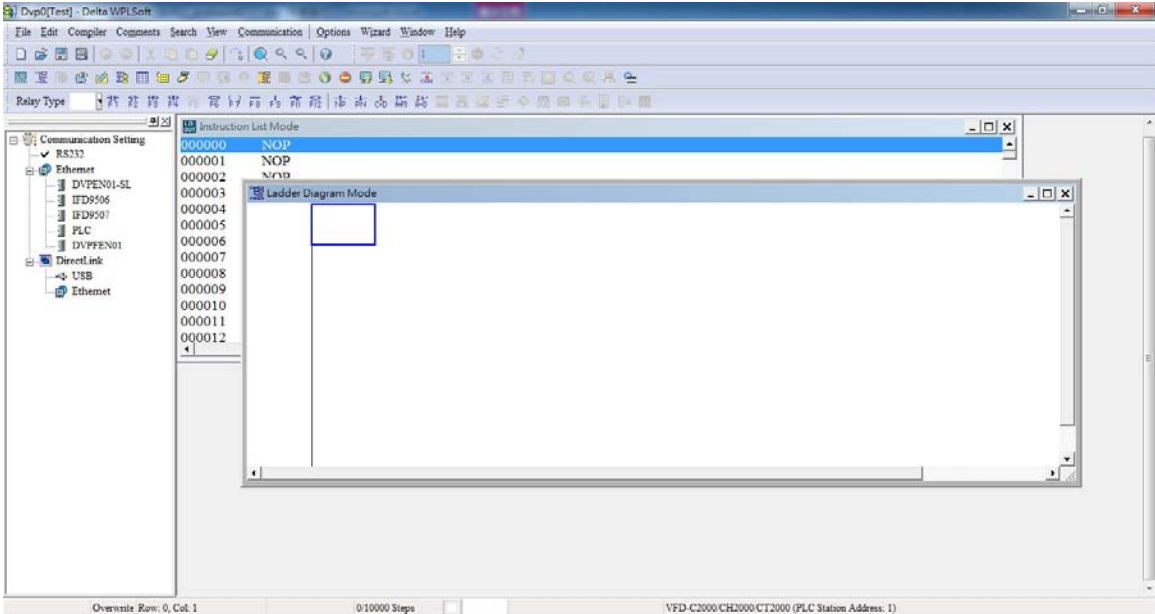



Figure 16-15

 **NOTE** In the ladder diagram mode, you can use the buttons on the function icon row on the toolbar (see Figure 16-16) to edit the programs.

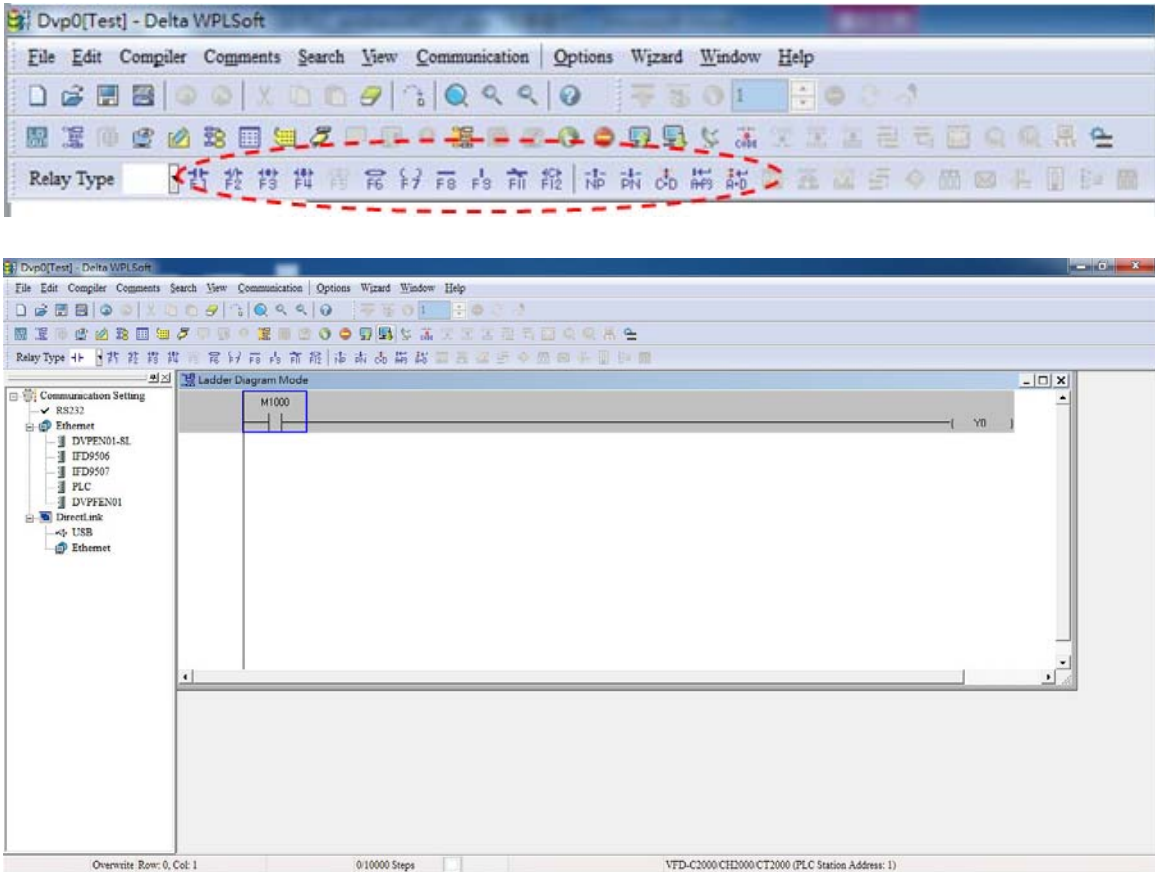


Figure 16-16

Basic Operation

Example: Create the ladder diagram as shown in Figure 16-17.

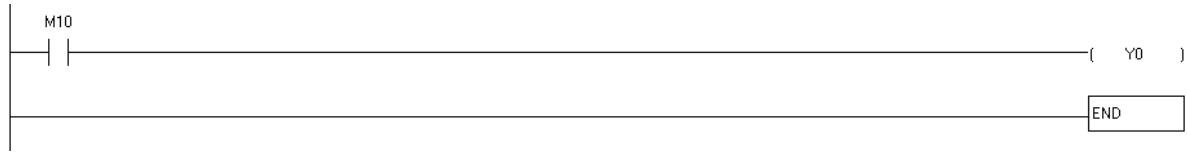


Figure 16-17

Use the following steps to create the ladder diagram. These steps show you how to use both the mouse and the keyboard (F1–F12) to add functions.

Step 1. Figure 16-18 shows the WPLSoft program after you create a new project file.

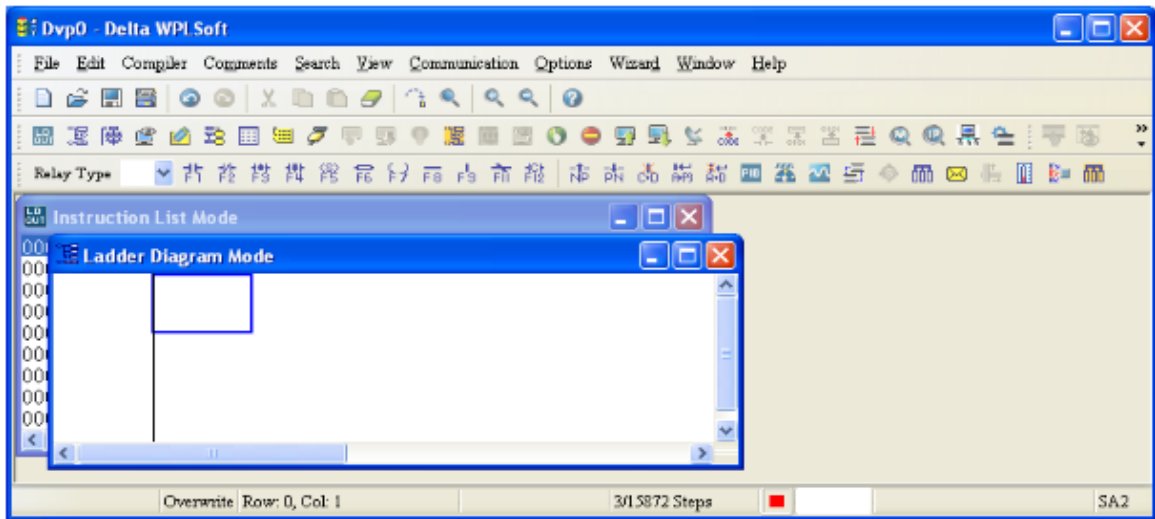



Figure 16-18

Step 2. Add an always-open switch. On the toolbar click the always-open switch button  or press F1. In the **Input Device Instruction** dialog box, select the device name (such as **M**), device number (such as **10**) and enter comments (such as **auxiliary contact**). Click **OK** when finished. (See Figure 16-19 and Figure 16-20.)

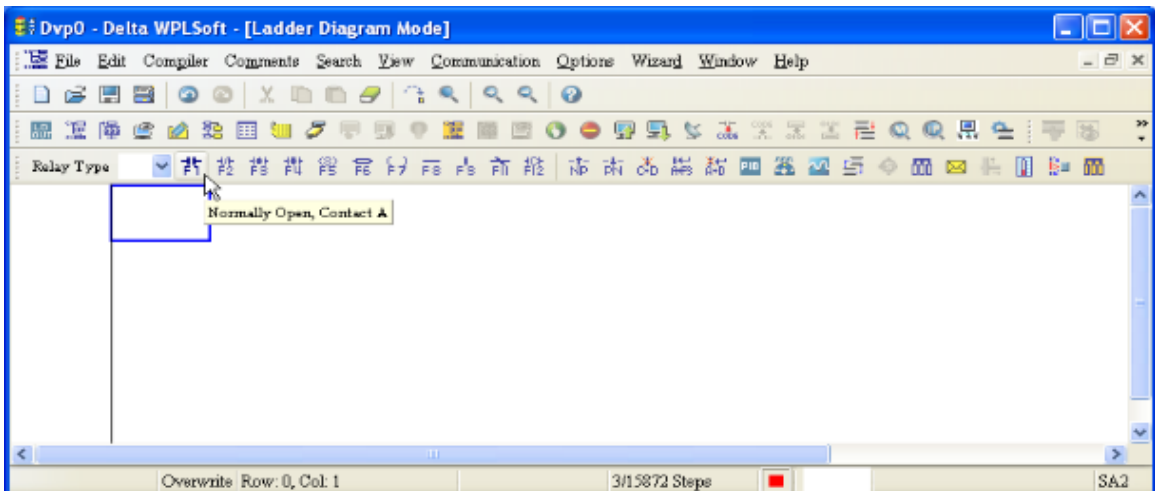


Figure 16-19



Figure 16-20

Step 3. Add an output coil. Click the output coil button  or press F7.

In the **Input Device Instruction** dialog box, select the device name (such as **Y**), the device number (such as **0**) and enter comments (such as **output coil**).Click **OK** when finished. (See Figure 16-21 and Figure 16-22.)

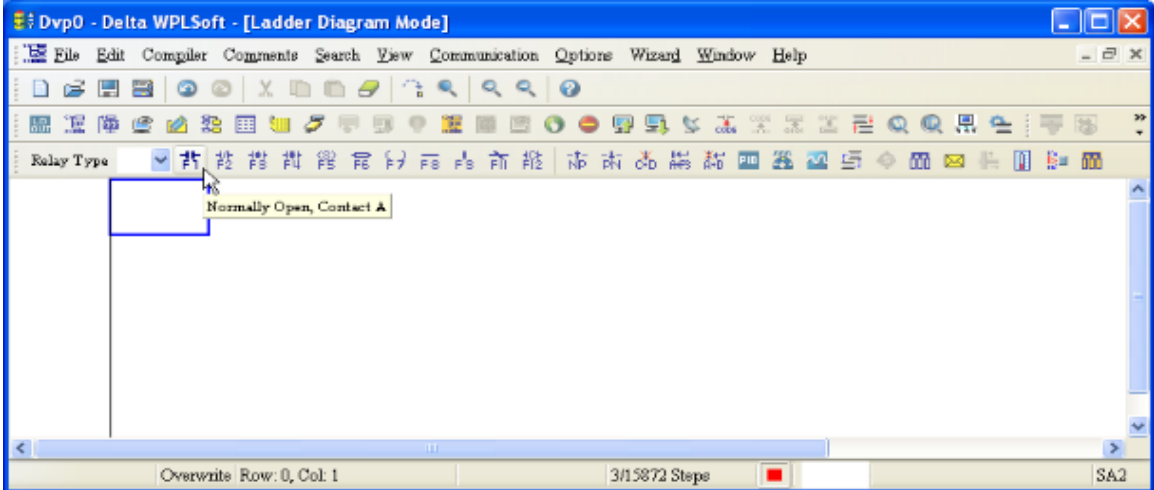


Figure 16-21

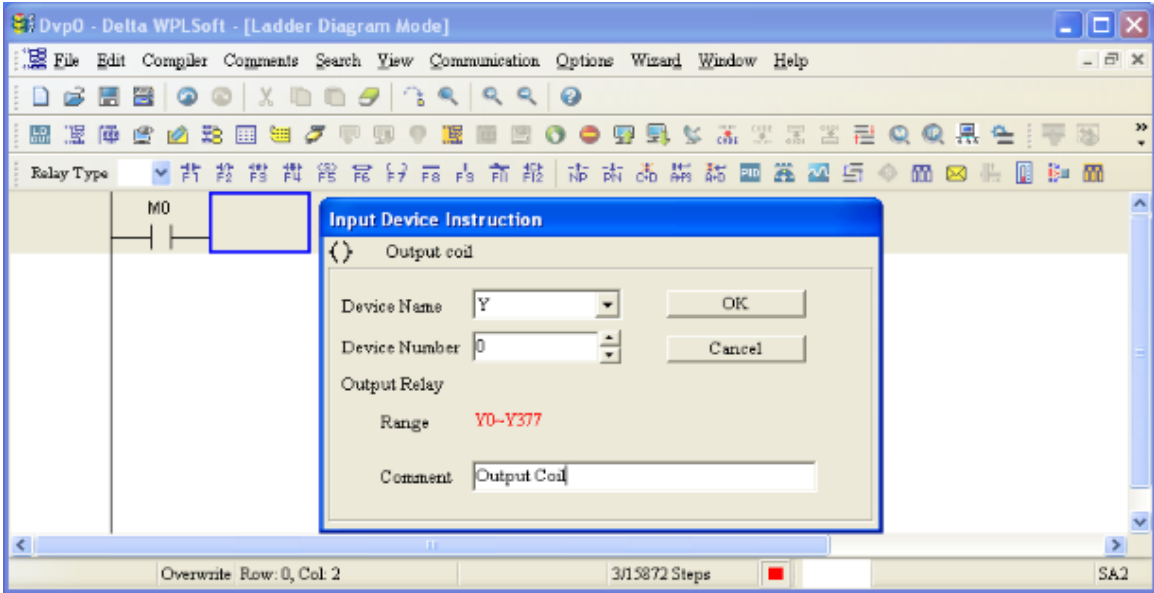


Figure 16-22

Step 4. On the toolbar, click the Application Command button  or press F6.

In the **Application Instructions** dialog box, in **Instruction Type** drop-down list, select **All Application Instructions**. In the **Application Instruction** drop-down list, select **END**, or use the keyboard to type “END”, and then click **OK**. (See Figure 16-23.)

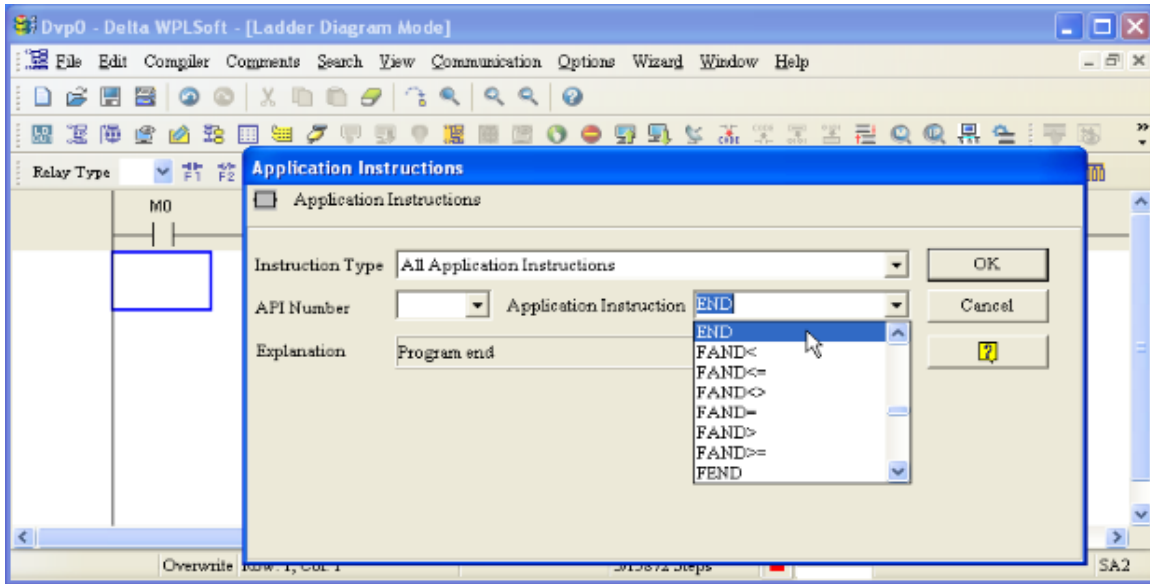



Figure 16-23

Step 5. Compile the program. On the toolbar, click the Compile button  to compile the edited ladder diagram into a command program. After compiling, the number of rungs appear on the left side of the busbar. (See Figure 16-24.)

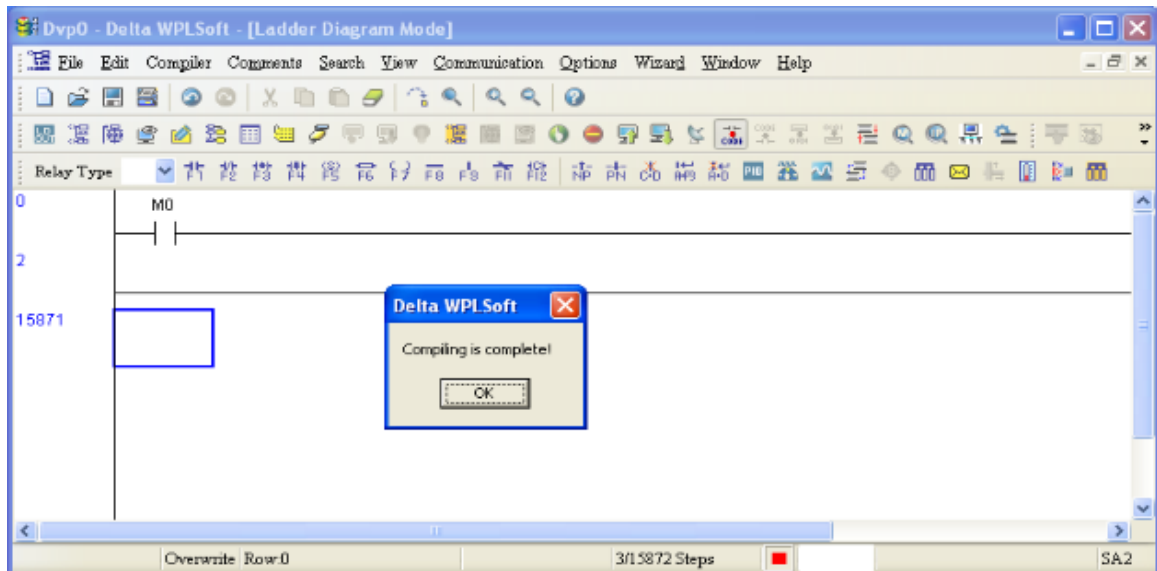





Figure 16-24

16-3-5 Program download

After you compile your program, click the CODE button . After finish coding, click the Download button . WPLSoft downloads the program to the online PLC in the communication format that you specified for the communication settings.

16-3-6 Program monitoring

After you download the program, confirm that the PLC is in Run mode. On the Communication menu, click Online Mode , and then click **Start Ladder Diagram Control** (see Figure 16-25). This allows you to supervise and operate the ladder diagram while online.

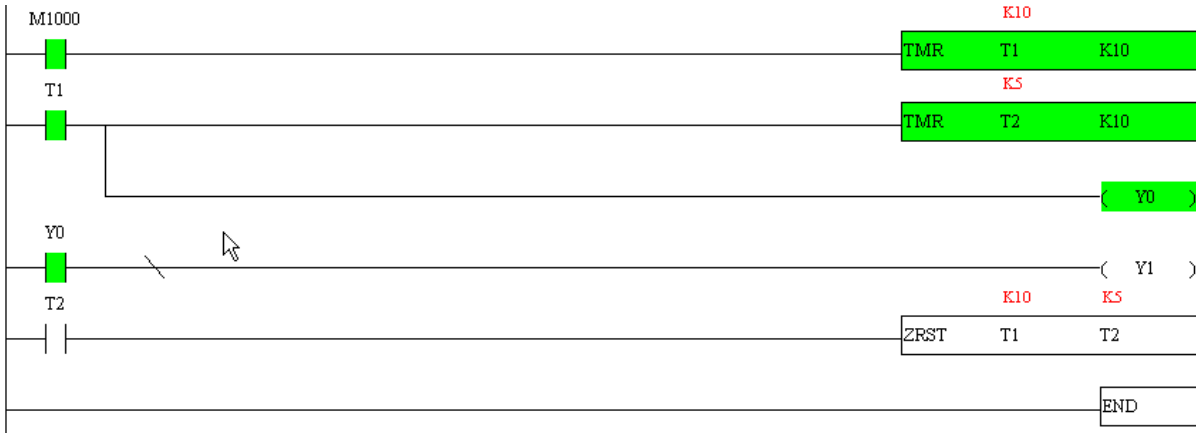


Figure 16-25

16-4 Basic Principles of PLC Ladder Diagrams

16-4-1 Schematic diagram for PLC ladder diagram program scanning

Output results are calculated on the basis of the ladder diagram configuration (internal devices have real-time output before results are sent to an external output point)

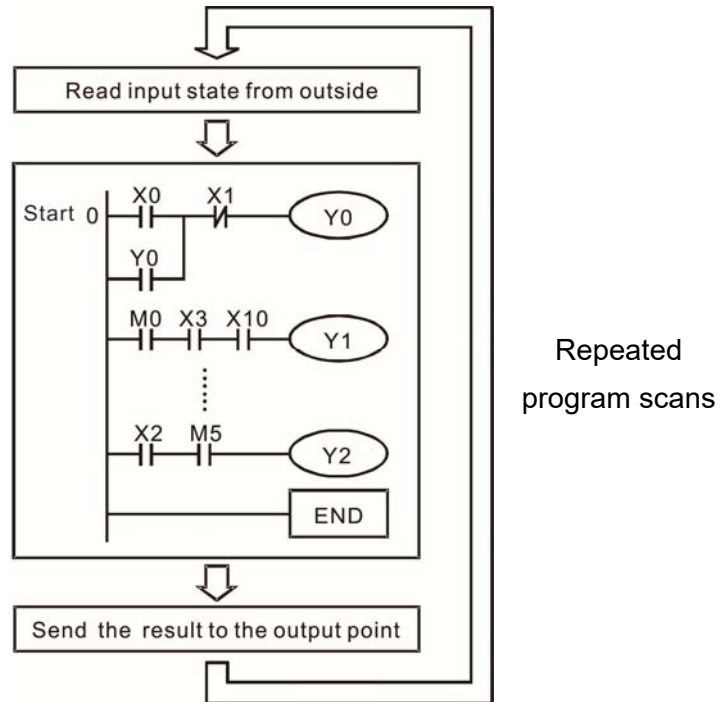


Figure 16-26

16-4-2 Introduction to ladder diagrams

Ladder diagrams use a graphic language widely applied in automatic controls. They employ common electrical control circuit symbols. After you use a ladder diagram editor to create a ladder diagram program, the PLC program design is complete. Using a graphic format to control processes is very intuitive and is readily accepted by personnel who are familiar with electrical control circuit technology. Many of the basic symbols and actions in a ladder diagram mimic common electrical devices in conventional automatic control power distribution panels, such as buttons, switches, relays, timers, and counters.

Internal PLC devices: The types and quantities of internal PLC devices vary in different brands of products. Although these internal devices use the same names as the conventional electrical control circuit elements (such as relays, coils, and contacts), a PLC does not actually contain these physical devices, and they instead correspond to basic elements in the PLC's internal memory (bits). For instance, if a bit is 1, this may indicate that a coil is electrified; and if that bit is 0, it indicates that the coil is not electrified. You can use a N.O. contact (Normally Open, or contact A) to directly read the value of the corresponding bit, and use a NC contact (Normally Closed, or contact B) to get the inverse of the bit's value. Multiple relays occupy multiple bits, and eight bits comprise one byte. Two bytes comprise one word, and two words comprise a double word. When multiple relays are processing at the same time (as in addition/subtraction or displacement), it can use a byte, a word, or a double word. Furthermore, a PLC contains two types of internal devices: a timer and a counter. It not only has a coil, but can count time and numerical values. Because of this, when it is necessary to process numerical values, these values are usually in the form of bytes, words, or double words (internally in the PLC).

The various internal devices in a PLC use a certain amount of memory in the PLC's storage area. When you use these devices, the content of the corresponding storage area is read in the form of bits, bytes, or words.

Table 16-5 describes the internal devices in a PLC

Device Type	Description of Function
Input Relay	<p>An input relay constitutes the basic unit of storage in a PLC's internal memory, and corresponds to an external input point. It serves as a terminal connecting with an external input switch and receiving external input signals. It is driven by external input signals, to which it assigns values of 0 or 1. A program design method cannot change the input relay status, and therefore cannot rewrite the corresponding basic units of an input relay. You cannot use WPLSoft to manually perform ON/OFF actions. You can use a relay's contacts (contacts A and B) an unlimited number of times in a program. An input relay with no input signal must be left idle and cannot be used for some other purpose.</p> <p><input checked="" type="checkbox"/> Input devices are indicated by X0, X1, X7, X10, X11, and so on. These devices are indicated with the symbol X, and a device's order is indicated with an octal number. Input point numbers are indicated in the main PLC and in expansion devices.</p>
Output Relay	<p>An output relay constitutes the basic unit of storage in a PLC's internal memory, and corresponds to an external output point. It connects with an external load. It can be driven by an input relay contact, a contact on another internal device, or its own contacts. It uses one N.O. contact to connect with external loads or other contacts, and like the input contacts, you can use the output relay's contacts an unlimited number of times in a program. An output relay with no input signal is idle, but can be used by an internal relay if needed.</p> <p><input checked="" type="checkbox"/> Output devices are indicated by Y0, Y1, Y7, Y10, Y11, and so on. These devices are indicated with the symbol Y, and a device's order is indicated with an octal number. Output point numbers are indicated in the main PLC and in expansion devices.</p>
Internal Relay	<p>Internal relays have no direct connection with the outside. These relays are auxiliary relays inside a PLC. Their function is the same as that of an auxiliary (central) relay in an electrical control circuit: Each auxiliary relay corresponds to a basic unit of internal storage; they can be driven by input relay contacts, output relay contacts, and the contacts of other internal devices. You can use an internal auxiliary relay's contacts an unlimited number of times in a program. Internal relays have no outputs to the outside, and their status must output through an output point.</p> <p><input checked="" type="checkbox"/> Internal relay devices are indicated by: M0, M1–M799, and so on. These devices are indicated with the symbol M, and the device's order is indicated with a decimal number.</p>
Counter	<p>Counters perform counting operations. The setting value for a counter (such as the number of pulses to be counted) must be assigned when a counter is used. A counter contains a coil, contact, and a counting storage device. When the coil goes from OFF → ON, this indicates that the counter receives an input pulse, and adds one to its count. There are 16 bits available in the counter.</p> <p><input checked="" type="checkbox"/> Counter device are indicated by: C0, C1–C79, and so on. These devices are indicated by the symbol C, and the device's order is indicated with a decimal number.</p>

Device Type	Description of Function
Timer	<p>Timers perform timing for operations. The timer contains a coil, contact, and a time value register. When the coil is electrified, and the setting value for the timer is reached, the contact is actuated (contact A closes, contact B opens), and the timer's fixed value is given by the setting value. A timer has a regulated clock cycle (timing units: 100 ms). As soon as power to the coil is cut off, the contact is no longer be actuated (contact A opens, contact B closes), and the original timing value returns to zero.</p> <p><input checked="" type="checkbox"/> Timer devices are indicated by: T0, T1–T159, and so on. These devices are indicated by the symbol T, and the device's order is indicated with a decimal number.</p>
Data register	<p>Data registers are used exclusively to store data and various parameters. When you use a PLC is to perform various types of sequence control, set time values, and count value controls, the PLC performs data processing and numerical operations and stores the operands, parameters, and results in data registers. Each data register contains 16 bits of binary data (one word). Two data registers with adjacent numbers can process double words.</p> <p><input checked="" type="checkbox"/> Data register devices are indicated by: D0, D1– D399, and so on. These devices are indicated by the symbol D, and the device's order is indicated with a decimal number.</p>

Table 16-5

Ladder diagram images and explanations

Ladder diagram structures	Explanation of commands	Command	Using Device
	N.O. switch, contact A	LD	X, Y, M, T, C
	N.C. switch, contact B	LDI	X, Y, M, T, C
	Series N.O.	AND	X, Y, M, T, C
	Series N.C.	ANI	X, Y, M, T, C
	Parallel N.O.	OR	X, Y, M, T, C
	Parallel N.C.	ORI	X, Y, M, T, C
	Rising edge-triggered switch	LDP	X, Y, M, T, C
	Falling edge-triggered switch	LDF	X, Y, M, T, C
	Rising edge-triggered series	ANDP	X, Y, M, T, C
	Falling edge-triggered series	ANDF	X, Y, M, T, C
	Rising edge-triggered parallel	ORP	X, Y, M, T, C

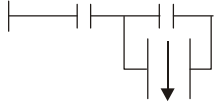
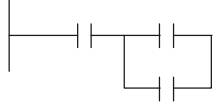
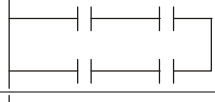
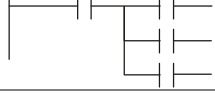



Ladder diagram structures	Explanation of commands	Command	Using Device
	Falling edge-triggered parallel	ORF	X, Y, M, T, C
	Block series	ANB	N/A
	Block parallel	ORB	N/A
	Multiple outputs	MPS MRD MPP	N/A
	Coil driven output commands	OUT	Y, M
	Some basic commands, application commands.	Some basic commands, application commands.	
	Inverted logic	INV	N/A

Table 16-6

16-4-3 Overview of PLC ladder diagram editing

The program editing method in WPLSoft begins from the left busbar and proceeds to the right busbar (the right busbar is not visible in WPLSoft). Continue to the next row after completing each row; there are a maximum of 11 contacts on each row. If this is not sufficient, WPLSoft generates a continuous line to indicate the continued connection, so that you can add more devices. A continuous series of numbers is generated automatically and you can use identical input points repeatedly (as shown in the following diagram).

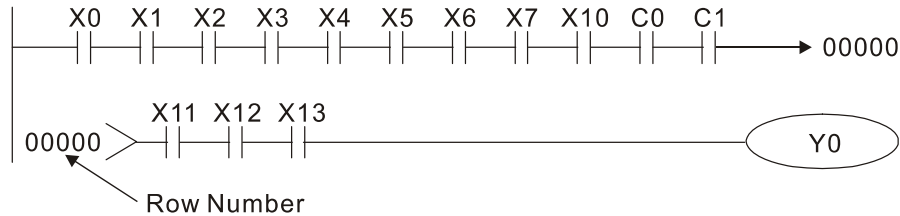


Figure 16-27

The PLC scans a ladder diagram programs from the upper left corner to the lower right corner. The coils and application command computing box are handled in the output, and in the ladder diagram are placed on the farthest right of a rung. Taking the diagram below as an example, we can analyze the procedural sequence of the ladder diagram. The number in the upper right corner gives the sequential order.

Explanation of command sequence

- 1 LD X0
- 2 OR M0
- 3 AND X1
- 4 LD X3
- AND M1
- ORB
- 5 LD Y1
- AND X4
- 6 LD T0
- AND M3
- ORB
- 7 ANB
- 8 OUT Y1
- TMR T0 K10

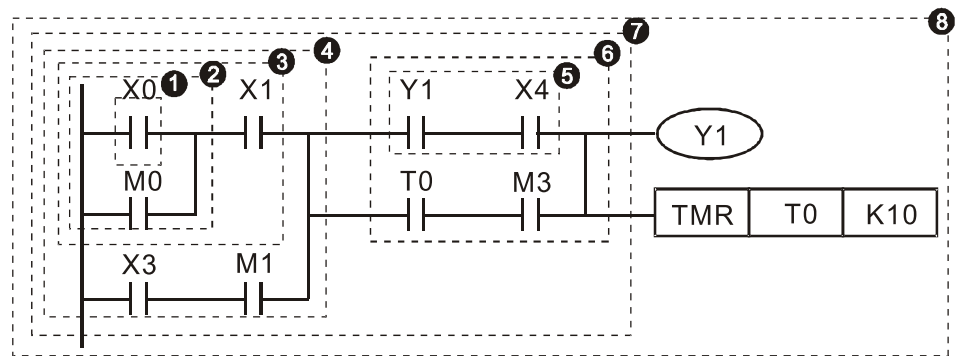


Figure 16-28

Explanation of basic structure of ladder diagrams

LD (LDI) command: An LD or LDI command appears at the start of a block.

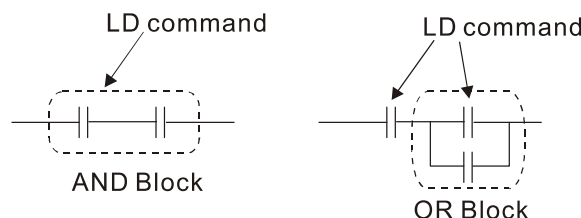


Figure 16-29

LDP and LDF use this command structure, but there are differences in their action state. LDP, LDF only act at the rising or falling edge of a conducting contact (see diagram below).

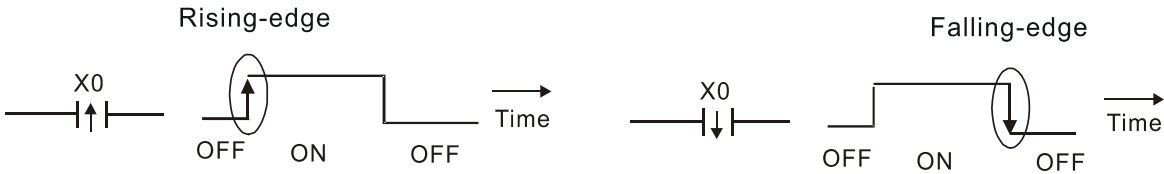


Figure 16-30

AND (ANI) command: a series configuration in which a single device is connected with one device or a block.

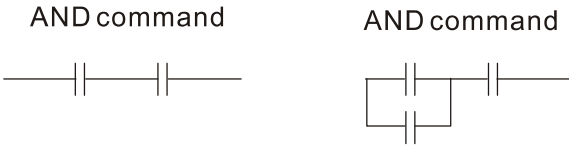


Figure 16-31

ANDP, ANDF use this structure, but their action occurs at the rising and falling edge of a conducting contact.

OR (ORI) command: a single device is connected with one device or a block.

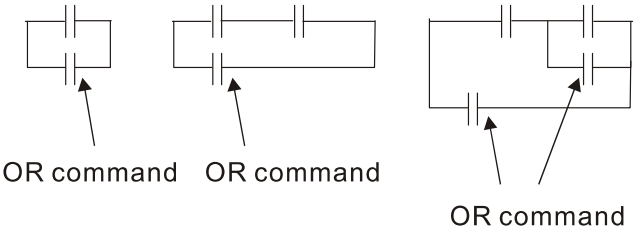


Figure 16-32

ORP, ORF use this structure, but their action occurs at the rising and falling edge a conduction contact.

ANB command: a configuration in which one block is in series with one device or block.

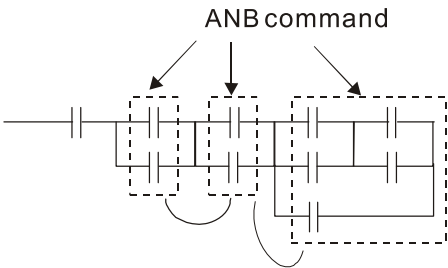


Figure 16-33

ORB command: a configuration in which one block is in parallel with one device or block.

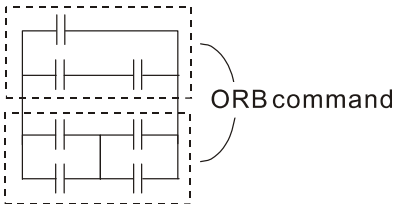


Figure 16-34

In the case of ANB and ORB operations that connect a number of blocks, they should be combined to form a block or network from the top down or from left to right.

MPS, MRD, MPP commands: branching point memory for multiple outputs that enable multiple different outputs. The MPS command begins at a branching point, which refers to the intersection of horizontal and vertical lines. Control relies on the contact status along a single vertical line to determine whether the next contact can give a memory command. While each contact is basically able to give memory commands, in view of convenience and the PLC's capacity restrictions, this can be omitted from some places when editing a ladder diagram. You can use the structure of the ladder diagram to judge what kinds of contact memory commands are used.

MPS is indicated by use of the \top symbol. You can use this command consecutively up to eight times. The MRD command is read from branching point memory; because logic states along any one vertical line must be the same, in order to continue analysis of other parts of the ladder diagram, the original contact status must be read. MRD is indicated by the \perp symbol.

The MPP command is read from the starting state of the uppermost branching point, and it is read from the stack (pop operation); because it is the final command along a vertical line, it indicates that the state of the vertical line can be concluded. MPP is indicated by the \lfloor symbol.

Although there should basically be no errors when using the foregoing analytical approach, the compiling program may sometimes omit identical state output, as shown in the following diagram.

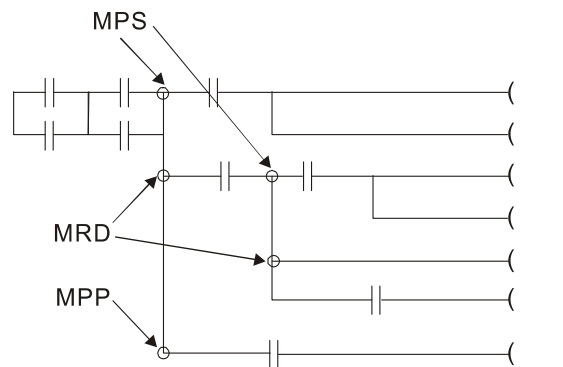


Figure 16-35

16-4-4 Common basic program design examples

Start, stop, and protection circuits

Some applications may require a brief close or brief break using a button to start and stop equipment. A protective circuit must therefore be designed to maintain continued operation in these situations. This protective circuit may employ one of the following methods.

Example 1: Priority stop protective circuit

When the start N.O. contact X1=ON, and the stop N.C. contact X2=OFF, Y1=ON. If X2 switches to ON, coil Y1 is no longer electrified, and this is therefore referred to as priority stop.

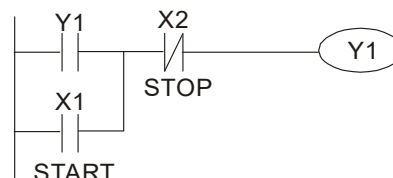


Figure 16-36

Example 2: Priority start protective circuit

When the start N.O. contact X1=ON, and the stop N.C. contact X2=OFF, Y1=ON, and coil Y1 is electrified and protected. If X2 switches to ON, coil Y1 still protects the contact and continues to be electrified, and this is therefore referred to as priority start.

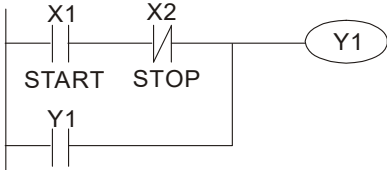


Figure 16-37

Example 3: Setting (SET) and reset (RST) command protective circuit

The following diagram shows a protective circuit composed of RST and SET commands. A priority stop occurs when you place the RST command after the SET command. Because the PLC executes programs from the top down, at the end of the program, the state of Y1 indicates whether coil Y1 is electrified. When X1 and X2 both actuate, Y1 loses power, and this is therefore referred to as priority stop.

A priority start occurs when you place the SET command after the RST command. When X1 and X2 both actuate, Y1 electrifies, and this is therefore referred to as priority start.

Top priority of stop

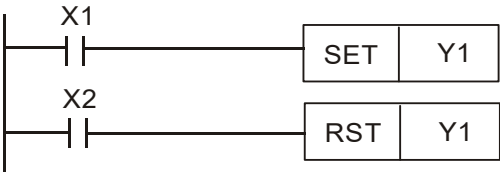


Figure 16-38

Top priority of start

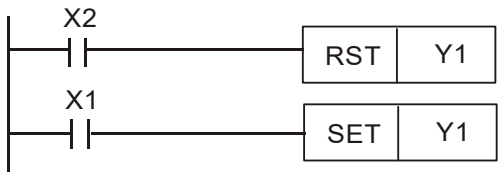


Figure 16-39

Commonly used control circuits

Example 4: Conditional control

X1 and X3 respectively start and stop Y1; and X2 and X4 respectively start and stop Y2. All have protective circuits. Because Y1's N.O. contact is in series with Y2's circuit, it becomes an AND condition for the actuation of Y2. The action of Y1 is therefore a condition for the action of Y2, and Y1 must actuate before Y2 can actuate.

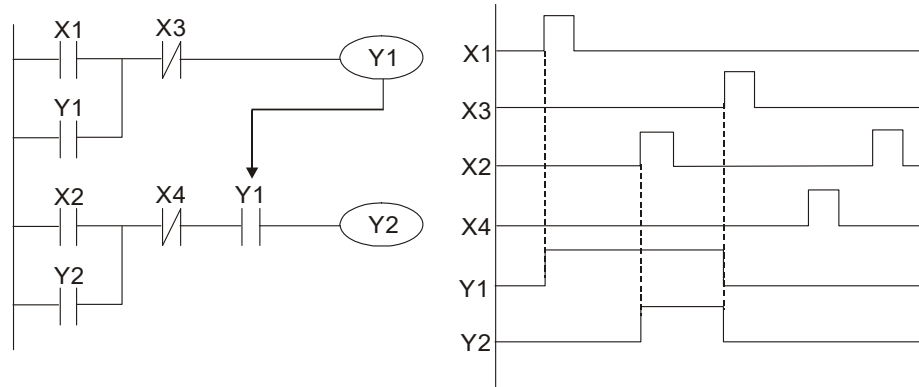


Figure 16-40

Example 5: Interlocking control

The diagram below shows an interlocking control circuit. Depending on which of the start contacts X1 or X2 becomes valid first, the corresponding output Y1 or Y2 actuates, and when one actuates, the other does not actuate. Y1 and Y2 cannot actuate at the same time (interlocking effect). Even if both X1 and X2 are valid at the same time, because the ladder diagram program is scanned from the top down, it is impossible for Y1 and Y2 to actuate at same time. This ladder diagram assigns priority only to Y1.

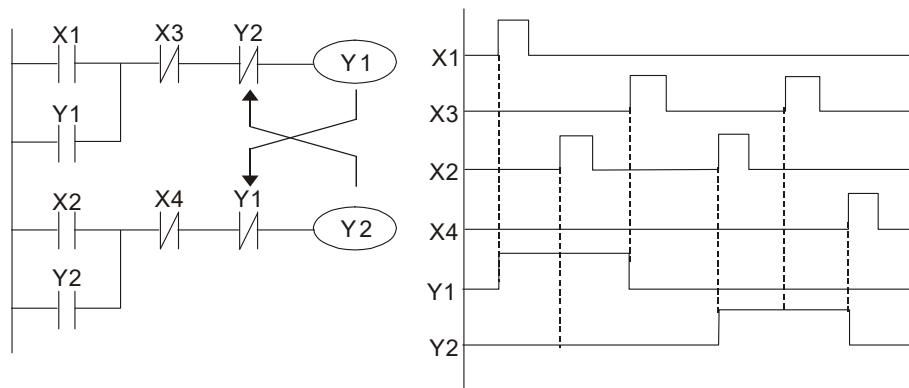


Figure 16-41

Example 6: Sequence control

If the N.C. contact of Y2 in the interlocking control configuration from example 5 is put in series with the Y1 circuit, to create an AND condition for actuation of Y1 (see diagram below), not only is Y1 a condition for the actuation of Y2 in this circuit, but the actuation of Y2 also stops the actuation of Y1. This configuration confirms the actuation order of Y1 and Y2.

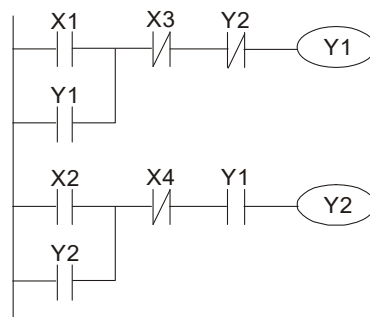


Figure 16-42

Example 7: Oscillating circuit

Oscillating circuit with a period of $\Delta T + \Delta T$

The diagram below shows a very simple ladder diagram. When starting to scan the Y1 N.C. contact, because the Y1 coil has lost power, the Y1 N.C. contact is closed. When the Y1 coil is then scanned, it is electrified, and the output is 1. When the Y1 N.C. contact is scanned in the next scanning cycle, because the Y1 coil is electrified, the Y1 N.C. contact is open, the Y1 coil then loses power, and the output is 0. Following repeated scanning, the output of Y1 coil has an oscillating waveform with a period of $\Delta T(\text{ON}) + \Delta T(\text{OFF})$.

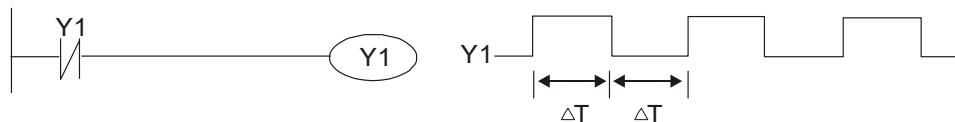


Figure 16-43

Oscillating circuit with a period of $nT + \Delta T$

The ladder diagram shown below uses timer T0 to control coil Y1's electrified time. After Y1 is electrified, it causes timer T0 to close during the next scanning cycle, which causes the output from Y1 to oscillate as shown in the diagram below. The constant n is the timer's decimal setting value, and T is the clock cycle of the timer.

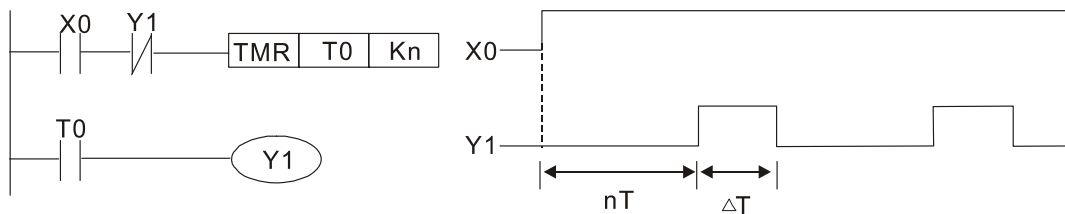


Figure 16-44

Example 8: Flashing circuit

The following diagram shows an oscillating circuit of a type commonly used to cause an indicator to flash or a buzzer to buzz. It uses two timers to control the ON and OFF time of Y1 coil. Here constants n1 and n2 are the setting values of timers T1 and T2, and T is the clock cycle of the timer.

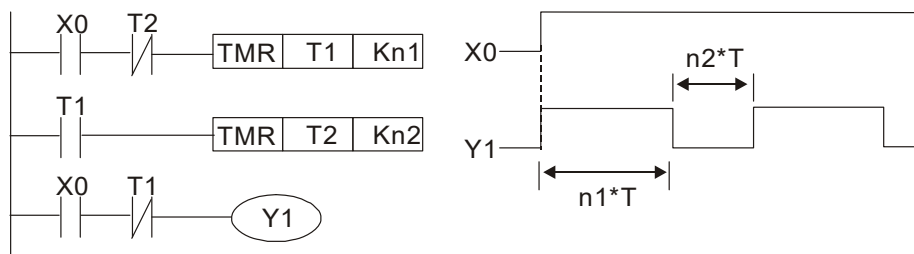


Figure 16-45

Example 9: Triggering circuit

In the diagram below, a rising edge in input X0 causes coil M0 to generate a single pulse for ΔT (length of one scanning cycle), and coil Y1 is electrified during this scanning cycle. Coil M0 loses power during the next scanning cycle, and N.C. contact M0 and N.C. contact Y1 are both closed. This causes coil Y1 to stay in an electrified state until there is another rising edge in input X0. This again causes the electrification of coil M0 and the start of another scanning cycle, while also causing coil Y1 to lose power, and so on. You can see the sequence of these actions in the diagram below. This type of circuit is commonly used to enable one input to perform two alternating actions. You can see from the time sequence in the diagram below that when input X0 is a square wave signal with a period of T, the output of coil Y1 is a square wave signal with a period of 2T.

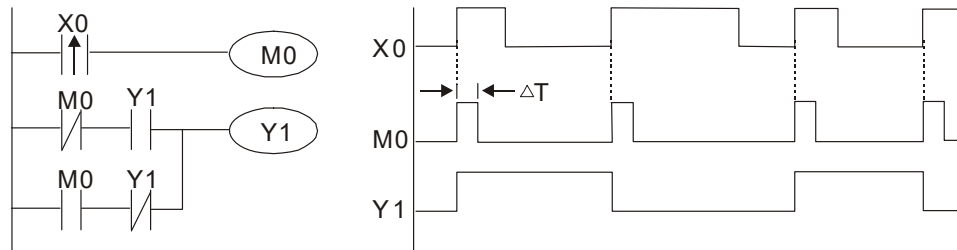


Figure 16-46

Example 10: Delay circuit

When input X0 is ON, because the corresponding NC contact is OFF, the timer T10 is in a no power state, and output coil Y1 is electrified. T10 receives power and begins to counter the time only after input X0 is OFF, and output coil Y1 is delayed for 100 seconds ($K1000 \times 0.1 \text{ sec.} = 100 \text{ sec.}$) before losing power. You can see the sequence of actions in the diagram below.

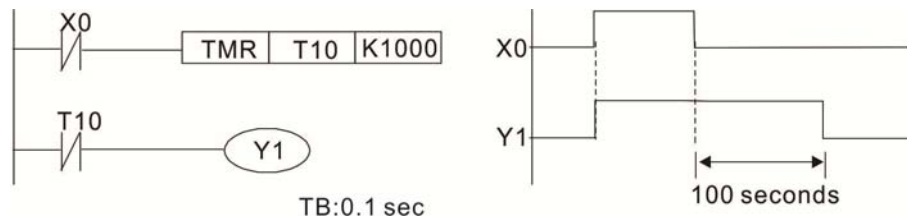


Figure 16-47

Example 11: The open/close delay circuit is composed of two timers; output Y4 has a delay no matter input X0 is ON or OFF.

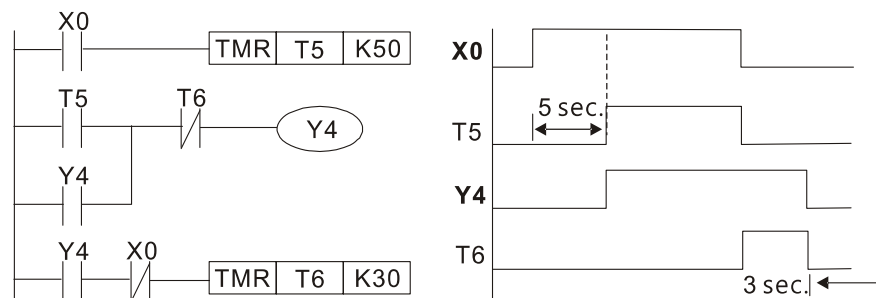


Figure 16-48

Example 12: Extended timing circuit

In the circuit in the ladder diagram on the left, the total delay time from the moment input X0 closes to the time output Y1 is electrified is $(n1+n2)*T$, where T is the clock cycle. The timers are T11 and T12, and the clock cycle is T.

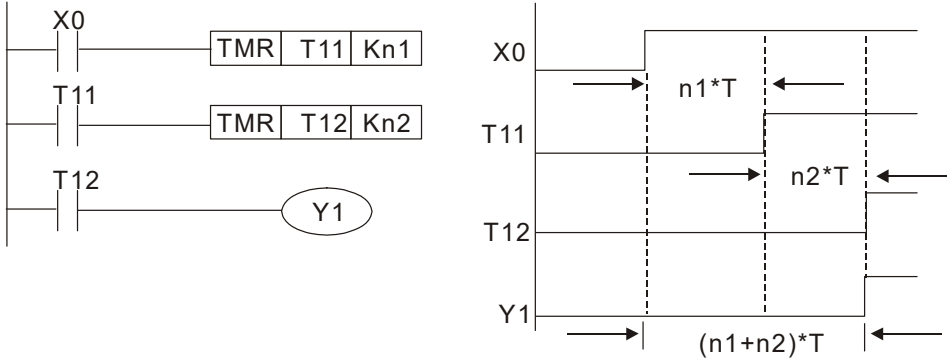


Figure 16-49

16-5 Various PLC Device Functions

Item	Specifications	Notes
Algorithmic control method	The program is stored internally, alternating back-and-forth scanning method.	The input point renews when the scanning starts, and the output point renews when the scanning ends.
Input / output control method	When the scan starts again after ending (after execution to the END command), the input/output is immediately refreshed.	
Algorithmic processing speed	Basic commands (several μ s);	Application command (1 to several tens of μ s)
Programming language	Command + ladder diagram	
Program capacity	2000 steps	
Input / output contacts	Digital input (X): 7; digital output (Y): 3 Analog input: 2; analog output: 1	

Table 16-7

Type	Device	Item	Range	Function	
Relay bit form	X	External input relay	X0–X17, 16 points, octal number	Total 32 points Corresponds to external input point	
	Y	External output relay	Y0–Y17, 16 points, octal number		Corresponds to external output point
	M	Auxiliary Relay	General Use	M0–M799, 800 points	Total 1080 points Contact can switch ON/OFF within the program
			Special purpose	M1000–M1279, 280 points	
	T	Timer	100 ms timer	T0–T79, 80 points	Total 80 points Timers referred to by the TMR command; T contact with the same number switches ON when the time is reached.
C	Counter	16-bit counter, general use	C0–C39, 40 points	Total 40 points Counter referred to by the CNT command; C contact with the same number switches ON when the count is reached.	
Register word data	T	Current timer value	T0–T79, 80 points	The contact switches ON when the time is reached.	
	C	Current counter value	C0–C39, 16-bit counter 40 points	The counter contact switches ON when the count is reached.	
	D	Data Register	Used to maintain power OFF	D0–D9, 10 points	Total 420 points Used as data storage memory area
			General use	D10–D199, 190 points	
Special purpose			D1000–D1219, 220 points		
Constant	K	Decimal	Single-byte	Setting Range: K-32,768–K32,767	
		Double-byte	Setting Range: K-2,147,483,648–K2,147,483,647		
	H	Hexadecimal	Single-byte	Setting Range: H0000–HFFFF	
		Double-byte	Setting Range: H00000000–HFFFFFFF		
Serial communication port (program write / read)			RS-485 / USB / keypad port		
Analog input/output			Built-in two analog inputs and one analog output		
High-speed counting			Built-in a (MI7) 32-bit high-speed counter		
Function expansion module		Optional Accessories	—		
Communication Expansion Module		Optional Accessories	CMM-COP02 (CANopen)		

Table 16-8

16-5-1 Introduction to device functions

Input/output contact functions

Input contact X has this function: input contact X is connected with an input device, and reads input signals entering the PLC. There are no restrictions on the number of times that the input contact A or B appear in the program. The ON/OFF state of input contact X changes as the input device switches between ON and OFF; you cannot use a peripheral device (WPLSoft) to force contact X ON or OFF.

Output contact Y functions

The output contact Y sends an ON/OFF signal to drive the load connected to output contact Y. There are two types of output contacts: relays and transistors. There are no restrictions on the number of times that contact A or B of an output contact Y appear in a program, but it is recommended that you use the number of output coil Y only once in a program; otherwise the output state when the PLC performs program scanning is determined by the program's final output Y circuit.

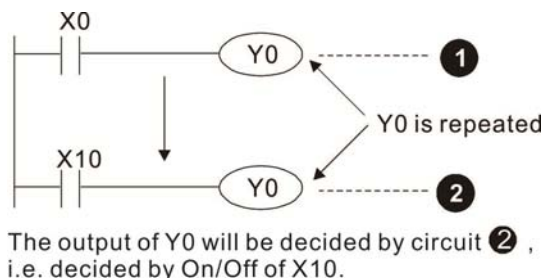


Figure 16-50

Numerical value, constant [K] / [H]

Constant	Single-byte	K	Decimal	K-32,768–K32,767
	Double-byte			K-2,147,483,648–K2,147,483,647
	Single-byte	H	Hexadecimal	H0000–HFFFF
	Double-byte			H00000000–HFFFFFFFF

Table 16-9

The PLC uses five types of numerical values to implement calculations based on its control tasks; the following topics explain the use and function of the different numerical values.

Binary Number, BIN

The PLC's numerical operations and memory employ binary numbers. The following table explains terms related to binary numbers.

bit	Bits are the fundamental units of binary values, and have a state of either 1 or 0.
Nibble	Comprised of a series of 4 bits (such as b3–b0); can be used to express a one-nibble decimal number 0–9 or hexadecimal number: 0–F.
Byte	Comprised of a series of two nibbles (i.e. 8 bits, b7–b0); can express a hexadecimal number: 00–FF.
Word	Comprised of a series of two bytes (i.e. 16 bits, b15–b0); can express a hexadecimal number with four nibbles: 0000–FFFF.
Double Word	Comprised of a series of two words (i.e. 32 bits, b31–b0); can express a hexadecimal number with eight nibbles: 00000000–FFFFFFFF

Table 16-10

The following diagram shows the relationship between bits, digits, nibbles, words, and double words in a binary system (see figure below).

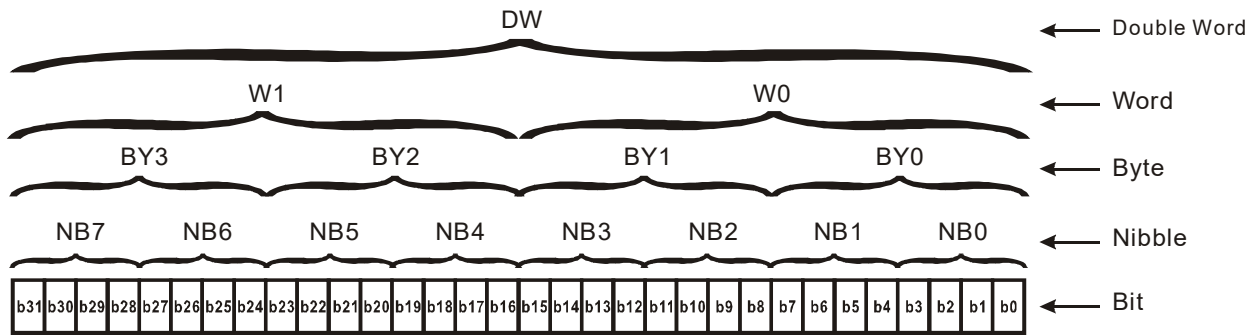


Figure 16-51

Octal Number, OCT

The external input and output terminals of a DVP-PLC are numbered using octal numbers.

Example: External input: X0–X7, X10–X17...(Device number table);
 External output: Y0–Y7, Y10–Y17...(Device number table)

Decimal Number, DEC

A PLC uses decimal numbers for the following purposes:

- ☑ The setting values of timer T or counter C, such as TMR C0 K50 (K constant).
- ☑ The numbers of devices including M, T, C, or D, such as M10 or T30 (device number).
- ☑ An operand in an application command, such as MOV K123 D0 (K constant).

Binary Coded Decimal, BCD

Uses one nibble or four bits to express the data in a decimal number; a series of 16 bits can therefore express a decimal number with four nibbles. These are used to read the input value of a rotating numerical switch to input or output a numerical value to a seven-segment display drive.

Hexadecimal Number, HEX

A PLC uses hexadecimal numbers as operands in application commands, such as MOV H1A2B D0 (H constant).

Constant K

PLC's usually prefixed decimal numbers with K, such as K100. This indicates that it is a decimal number with a numeric value of 100.

Exceptions: You can combine K with a bit device X, Y, M, or S to produce data in the form of a nibble, byte, word, or double word, such as in the case of K2Y10 or K4M100. Here K1 represents a 4-bit combination, and K2–K4 represent 8-, 12-, and 16-bit combinations.

Constant H

PLC's usually prefixed hexadecimal numbers with H, such as in the case of H100. This indicates a hexadecimal number with a numeric value of 100.

Functions of auxiliary relays

Like an output relay Y, an auxiliary relay M has an output coil and contacts A and B, and you can use the output relay contacts any number of times in a program. You can use an auxiliary relay M to configure the control circuit, but cannot use the auxiliary relay to directly drive an external load. There are two types of auxiliary relays:

Ordinary auxiliary relays: ordinary auxiliary relays all revert to the OFF state when a power outage occurs while the PLC is running, and remains in the OFF state when power is restored.

Special purpose auxiliary relays: each special purpose auxiliary relay has its own specific use. Do not use any undefined special purpose auxiliary relays.

Timer functions

Timers use 100 ms as their timing unit. When the timing method is an upper time limit, and the current timer value = setting value, the timer output coil is energized. Timer setting values use decimal K values; you can also use the data register D as a setting value.

Actual timer setting time = timing units * set value

Counter features

Item	16-bit counter
Type	General Type
CT Direction:	Up
Setting	0–32,767
Designation of set value	Constant K or data register D
Change in current value	When the count reaches the setting value, it stops counting.
Output contact	When the count reaches the setting value, the contact switches ON and stays ON.
Reset	The current value reverts to 0 when an RST command is executed, and the contact reverts to OFF.
Contact actuation	All are actuated after the end of scanning.

Table 16-11

Counter functions

When a counter's counting pulse input signal switches from OFF to ON, if the counter's current value is equal to the setting value, the output coil switches ON. The setting value can be either a decimal K or a data register D.

16-bit counter:

- 16-bit counter setting range: K0–K32,767. When K0 and K1 are identical, the output contact is immediately ON during the first count.
- The current counter value is cleared from an ordinary counter when power to the PLC turns OFF.
- If you use the MOV command or WPLSoft to transmit a value greater than the setting value to the C0 current value register, when the next X1 switches from OFF to ON, the C0 counter contact changes to ON, and the current value changes to the setting value.

- ☑ You can set a counter's setting value directly using a constant K, or indirectly using the value in register D (not including special data registers D1000–D1199 or D2000–D2799).
- ☑ If the setting value is a constant K, the value must be a positive number. If the setting value is from data register D, the value can be either a positive or negative number. If using a data register, and the current value is 32,767, incrementing the count causes the count value to roll over to -32,768 as the count continues to accumulate.

Example

```

LD    X0
RST   C0
LD    X1
CNT   C0 K5
LD    C0
OUT   Y0
    
```

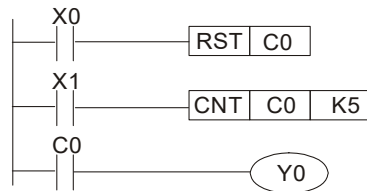


Figure 16-52

1. When X0 = ON and the RST command is executed, the current value of C0 reverts to 0, and the output contact reverts to OFF.
2. When X1 switches from OFF to ON, the current value of the counter is incremented by one (add one).
3. When the count in C0 reaches the set value K5, the contact C0 switches to ON, and the current value of C0 = setting value = K5.

Afterwards, additional changes in X1 do not affect the count value, and C0 remains at K5.

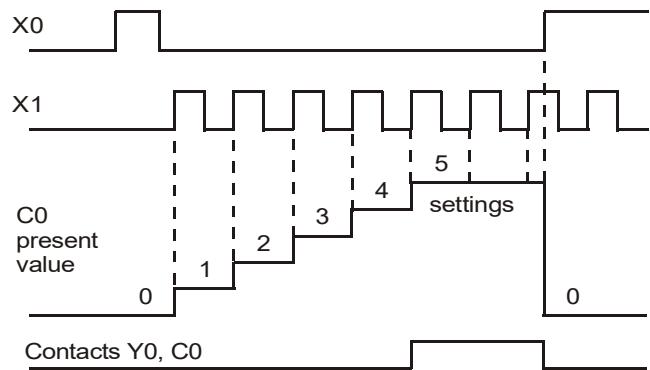


Figure 16-53

16-5-2 Introduction to special relay functions (special M)

R/W column: RO means read only; RW means read and write.

Special M	Function Descriptions	R/W *
M1000	Monitors N.O. contact (contact A). N.O. while RUN, contact A. This contact is ON while in the RUN state.	RO
M1001	Monitors N.C. contact (contact B). NC while RUN, contact B. This contact is OFF while in the RUN state.	RO
M1002	Initiates a forward pulse (the instant RUN is ON). Initial pulse, contact A. Produces a forward pulse when RUN begins; pulse width = scan cycle.	RO
M1003	Initiates a reverse pulse (the instant RUN is OFF). Initial pulse, contact A. Produces a reverse pulse when RUN ends; pulse width = scan cycle.	RO
M1004	--	--
M1005	Drive malfunction instructions	RO
M1006	Drive has no output	RO
M1007	Drive direction FWD(0) / REV(1)	RO
M1008 – M1010	--	--
M1011	10 ms clock pulse, 5 ms ON / 5 ms OFF.	RO
M1012	100 ms clock pulse, 50 ms ON / 50 ms OFF.	RO
M1013	1 sec. clock pulse, 0.5 s ON / 0.5 s OFF	RO
M1014	1 min. clock pulse, 30 s ON / 30 s OFF	RO
M1015	Frequency reached (when used with M1025)	RO
M1016	Parameter read/write error	RO
M1017	Parameter write successful	RO
M1018	--	--
M1019	--	--
M1020	Zero flag	RO
M1021	Borrow flag	RO
M1022	Carry flag	RO
M1023	Divisor is 0	RO
M1024	--	--
M1025	Drive frequency = set frequency (ON) Drive frequency = 0 (OFF)	RW
M1026	Drive operating direction FWD (OFF) / REV (ON)	RW
M1027	Drive Reset	RW
M1028 – M1037	--	--
M1038	MI7 count begins	RW
M1039	Reset MI7 count value	RW
M1040	Hardware power (Servo On)	RW
M1041	--	--
M1042	Quick Stop	RW
M1043	--	--
M1044	Pause (Halt)	RW
M1045 – M1051	--	--
M1052	Lock frequency (lock, frequency locked at the current operating frequency)	RW
M1053 – M1055	--	--
M1056	Hardware already has power (Servo On Ready)	RO
M1057	--	--
M1058	On Quick Stopping	RO

Table 16-12

16-5-3 Introduction to special register functions (special D)

Special D	Function Descriptions	R/W *
D1000	--	--
D1001	Device system program version	RO
D1002	Program capacity	RO
D1003	Total program memory content	RO
D1004 – D1009	--	--
D1010	Current scan time (units: 0.1 ms)	RO
D1011	Minimum scan time (units: 0.1 ms)	RO
D1012	Maximum scan time (units: 0.1 ms)	RO
D1013 – D1017	--	--
D1018	Current integral value	RO
D1019	Force setting for PID I integral	RW
D1020	Output frequency (0.00–599.00 Hz)	RO
D1021	Output current (####.#A)	RO
D1022	--	--
D1023	Communication expansion card number 0: No expansion card 1: DeviceNet Slave 2: Profibus-DP Slave 3: CANopen Slave 4: Modbus-TCP Slave 5: EtherNet/IP Slave	RO
D1024 – D1026	--	--
D1027	PID calculation frequency command (frequency command after PID calculation)	RO
D1028	AVI value (0.00–100.00%)	RO
D1029	ACI value (0.00–100.00%)	RO
D1030 – D1034	--	--
D1035	VR value (0.00–100.00%)	RO
D1036	Servo error bit	RO
D1037	Drive output frequency	RO
D1038	DC bus voltage	RO
D1039	Output voltage	RO
D1040	Analog output value AFM (0.00–100.00%)	RW
D1041 – D1042	--	--
D1043	Can be user-defined (is displayed on panel when Pr.00-04 is set to 28; display method is Cxxxx)	RW
D1044 – D1049	--	--
D1050	Actual operation mode 0: Speed	RO
D1051 – D1053	--	--
D1054	MI7 current calculated count value (low word)	RO
D1055	MI7 current calculated count value (high word)	RO
D1056	Rotating speed corresponding to MI7	RO

Special D	Function Descriptions	R/W *
D1057	MI7's rotating speed ratio	RW
D1058	MI7 refresh rate (ms) corresponding to rotating speed	RW
D1059	Number of nibbles of rotating speed corresponding to MI7 (0–3)	RW
D1060	Operation mode setting 0: Speed	RW
D1061	485 Modbus communications time-out time (ms)	RW
D1062	Torque command (torque limit in speed mode)	RW
D1063 – D1069	--	--
D1100	Target frequency	RO
D1101	Target frequency (must be operating)	RO
D1102	Reference frequency	RO
D1103 – D1106	--	--
D1107	π (Pi) low word	RO
D1108	π (Pi) high word	RO
D1109	Random number	RO

Table 16-13

16-5-4 PLC Communication address

Device	Range	Type	Address (Hex)
X	00–17 (Octal)	bit	0400–040FF
Y	00–17 (Octal)	bit	0500–050F
T	00–79	bit/word	0600–064F
M	000–799	bit	0800–0B1F
M	1000–1279	bit	0BE8–0CFF
C	0–39	bit/word	0E00–0E27
D	00–199	word	1000–10C7
D	1000–1219	word	13E8–14C3

Table 16-14

Command codes that can be used

Function Code	Function Descriptions	Function target
H1	Coil status read	Y, M, T, C
H2	Input status read	X, Y, M, T, C
H3	Read single unit of data	T, C, D
H5	Force single coil status change	Y, M, T, C
H6	Write single unit of data	T, C, D
HF	Force multiple coil status change	Y, M, T, C
H10	Write multiple units of data	T, C, D

Table 16-15

 **NOTE**

When PLC functions have been activated, the MS300 can match the PLC and drive parameters; this method uses different addresses for drives (default station number is 1, PLC sets station number as 2).

16-6 Introduction to the Command Window

16-6-1 Overview of basic commands

- Ordinary commands

Command code	Function	OPERAND	Execution speed (μs)
LD	Load contact A	X, Y, M, T, C	0.8
LDI	Load contact B	X, Y, M, T, C	0.8
AND	Connect contact A in series	X, Y, M, T, C	0.8
ANI	Connect contact B in series	X, Y, M, T, C	0.8
OR	Connect contact A in parallel	X, Y, M, T, C	0.8
ORI	Connect contact B in parallel	X, Y, M, T, C	0.8
ANB	Series circuit block	N/A	0.3
ORB	Parallel circuit block	N/A	0.3
MPS	Save to stack	N/A	0.3
MRD	Stack read (pointer does not change)	N/A	0.3
MPP	Read stack	N/A	0.3

Table 16-16

- Output command

Command code	Function	OPERAND	Execution speed (μs)
OUT	Drive coil	Y, M	1
SET	Action continues (ON)	Y, M	1
RST	Clear contact or register	Y, M, T, C, D	1.2

Table 16-17

- Timer, counter

Command code	Function	OPERAND	Execution speed (μs)
TMR	16-bit timer	T-K or T-D commands	1.1
CNT	16-bit counter	C-K or C-D (16-bit)	0.5

Table 16-18

- Main control command

Command code	Function	OPERAND	Execution speed (μs)
MC	Common series contact connection	N0–N7	0.4
MCR	Common series contact release	N0–N7	0.4

Table 16-19

- Contact rising edge/falling edge detection command

Command code	Function	OPERAND	Execution speed (μs)
LDP	Start of rising edge detection action	X, Y, M, T, C	1.1
LDF	Start of falling edge detection action	X, Y, M, T, C	1.1
ANDP	Rising edge detection series connection	X, Y, M, T, C	1.1
ANDF	Falling edge detection series connection	X, Y, M, T, C	1.1
ORP	Rising edge detection parallel connection	X, Y, M, T, C	1.1
ORF	Falling edge detection parallel connection	X, Y, M, T, C	1.1

Table 16-20

- Upper / lower differential output commands

Command code	Function	OPERAND	Execution speed (μs)
PLS	Upper differential output	Y, M	1.2
PLF	Lower differential output	Y, M	1.2

Table 16-21

- Stop command

Command code	Function	OPERAND	Execution speed (μs)
END	Program conclusion	N/A	0.2

Table 16-22

- Other commands


Command code	Function	OPERAND	Execution speed (μs)
NOP	No action	N/A	0.2
INV	Inverse of operation results	N/A	0.2
P	Index	P	0.3

Table 16-23

16-6-2 Detailed explanation of basic commands

Command	Function					
LD	Load contact A					
Operand	X0–X17	Y0–Y17	M0–M799	T0–159	C0–C79	D0–D399
	✓	✓	✓	✓	✓	–


Explanation Use the LD command for contact A starting at the left busbar or contact A starting at a contact circuit block; its function is to save current content and save the acquired contact status in the cumulative register.

Example Ladder diagram:  Command code: Description:

LD	X0	Load Contact A of X0
AND	X1	Create a series connection to contact A of X1
OUT	Y1	Drive Y1 coil

Command	Function					
LDI	Load contact B					
Operand	X0–X17	Y0–Y17	M0–M799	T0–159	C0–C79	D0–D399
	✓	✓	✓	✓	✓	–


Explanation Use the LDI command for contact B starting at the left busbar or contact B starting at a contact circuit block; its function is to save current content and save the acquired contact status in the cumulative register.

Example Ladder diagram:  Command code: Description:

LDI	X0	Load Contact B of X0
AND	X1	Create a series connection to contact A of X1
OUT	Y1	Drive Y1 coil

Command	Function					
AND	Connect contact A in series					
Operand	X0–X17	Y0–Y17	M0–M799	T0–159	C0–C79	D0–D399
	✓	✓	✓	✓	✓	–

Explanation Use the AND command to create a series connection to contact A; its function is to first read the current status of the designated series contact and the logical operation results before contact in order to perform "AND" operation; saves the results in the cumulative register.

Example Ladder diagram:  Command code: Description:

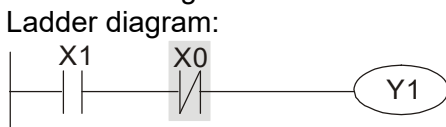
LDI	X1	Load Contact B of X1
AND	X0	Create a series connection to contact A of X0
OUT	Y1	Drive Y1 coil

Command	Function					
ANI	Connect contact B in series					
Operand	X0-X17	Y0-Y17	M0-M799	T0-159	C0-C79	D0-D399
	✓	✓	✓	✓	✓	—

Explanation

Use the ANI command to create a series connection to contact B; its function is to first read the current status of the designated series contact and the logical operation results before contact in order to perform "AND" operation; saves the results in the cumulative register.

Example



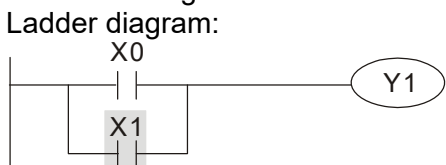
Command code:	Description:
LD X1	Load Contact A of X1
ANI X0	Create a series connection to contact B of X0
OUT Y1	Drive Y1 coil

Command	Function					
OR	Connect contact A in parallel					
Operand	X0-X17	Y0-Y17	M0-M799	T0-159	C0-C79	D0-D399
	✓	✓	✓	✓	✓	—

Explanation

Use the OR command to establish a parallel connection to contact A; its function is to first read the current status of the designated series contact and the logical operation results before contact in order to perform "OR" operation; saves the results in cumulative register.

Example



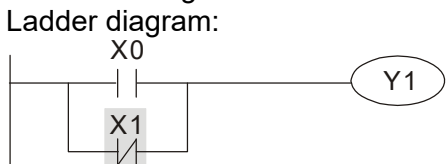
Command code:	Description:
LD X0	Load Contact A of X0
OR X1	Create a series connection to contact A of X1
OUT Y1	Drive Y1 coil

Command	Function					
ORI	Connect contact B in parallel					
Operand	X0-X17	Y0-Y17	M0-M799	T0-159	C0-C79	D0-D399
	✓	✓	✓	✓	✓	—

Explanation

Use the ORI command to establish a parallel connection to contact B; its function is to first read the current status of the designated series contact and the logical operation results before contact in order to perform "OR" operation; saves the results in cumulative register.

Example



Command code:	Description:
LD X0	Load Contact A of X0
ORI X1	Create a series connection to contact B of X1
OUT Y1	Drive Y1 coil

Command	Function	
ANB	Series circuit block	
Operand	N/A	
Explanation	ANB performs an "AND" operation on the previously saved logic results and the current cumulative register content.	
Example	<p>Ladder diagram:</p>	<p>Command code: Description:</p> <p>LD X0 Load Contact A of X0 Establish a parallel connection to contact B of X2</p> <p>ORI X2</p> <p>LDI X1 Load Contact B of X1 Establish a parallel connection to contact A of X3</p> <p>OR X3</p> <p>ANB Series circuit block</p> <p>OUT Y1 Drive Y1 coil</p>

Command	Function	
ORB	Parallel circuit block	
Operand	N/A	
Explanation	ORB performs an "OR" operation on the previously saved logic results and the current cumulative register content.	
Example	<p>Ladder diagram:</p>	<p>Command code: Description:</p> <p>LD X0 Load Contact A of X0 Establish a parallel connection to contact B of X1</p> <p>ANI X1</p> <p>LDI X2 Load Contact B of X2 Establish a parallel connection to contact A of X3</p> <p>AND X3</p> <p>ORB Parallel circuit block</p> <p>OUT Y1 Drive Y1 coil</p>

Command	Function	
MPS	Save to stack	
Operand	N/A	
Explanation	Saves the current content of the cumulative register to the stack (add one to the stack pointer).	

Command	Function	
MRD	Read stack (pointer does not change)	
Operand	N/A	
Explanation	Reads the stack content and saves to the cumulative register (the stack pointer does not change).	

Command	Function																																													
MPP	Read stack																																													
Operand	N/A																																													
Explanation	Retrieves the result of the previously saved logical operation from the stack, and saves to the cumulative register. (subtract one from stack pointer)																																													
Example	Ladder diagram:			Command code: Description:																																										
				<table style="width:100%; border-collapse: collapse;"> <tr> <td style="width:10%;"></td> <td style="width:10%;">LD</td> <td style="width:10%;">X0</td> <td style="width:10%;">Load Contact A of X0</td> </tr> <tr> <td></td> <td>MPS</td> <td></td> <td>Save to the stack</td> </tr> <tr> <td></td> <td>AND</td> <td>X1</td> <td>Create a series connection to contact A of X1</td> </tr> <tr> <td></td> <td>OUT</td> <td>Y1</td> <td>Drive Y1 coil</td> </tr> <tr> <td></td> <td>MRD</td> <td></td> <td>Read the stack (pointer does not change)</td> </tr> <tr> <td></td> <td>AND</td> <td>X2</td> <td>Create a series connection to contact A of X2</td> </tr> <tr> <td></td> <td>OUT</td> <td>M0</td> <td>Drive M0 coil</td> </tr> <tr> <td></td> <td>MPP</td> <td></td> <td>Read stack</td> </tr> <tr> <td></td> <td>OUT</td> <td>Y2</td> <td>Drive Y2 coil</td> </tr> <tr> <td></td> <td>END</td> <td></td> <td>Program conclusion</td> </tr> </table>				LD	X0	Load Contact A of X0		MPS		Save to the stack		AND	X1	Create a series connection to contact A of X1		OUT	Y1	Drive Y1 coil		MRD		Read the stack (pointer does not change)		AND	X2	Create a series connection to contact A of X2		OUT	M0	Drive M0 coil		MPP		Read stack		OUT	Y2	Drive Y2 coil		END		Program conclusion
	LD	X0	Load Contact A of X0																																											
	MPS		Save to the stack																																											
	AND	X1	Create a series connection to contact A of X1																																											
	OUT	Y1	Drive Y1 coil																																											
	MRD		Read the stack (pointer does not change)																																											
	AND	X2	Create a series connection to contact A of X2																																											
	OUT	M0	Drive M0 coil																																											
	MPP		Read stack																																											
	OUT	Y2	Drive Y2 coil																																											
	END		Program conclusion																																											

Command	Function					
OUT	Drive coil					
Operand	X0–X17	Y0–Y17	M0–M799	T0–159	C0–C79	D0–D399
	–	✓	✓	–	–	–

Explanation Outputs the result of the logical operation before the OUT command to the designated element.

Coil contact action:

Result:	Out command		
	Coil	Access Point:	
		Contact A (N.O.)	Contact B (N.C.)
FALSE	OFF	Not conducting	Conducting
TRUE	ON	Conducting	Not conducting

Example Ladder diagram:

	LD	X0	Load Contact B of X0
	AND	X1	Establish a parallel connection to contact A of X1
	OUT	Y1	Drive Y1 coil

Command	Function					
	Action continues (ON)					
Operand	X0–X17	Y0–Y17	M0–M799	T0–159	C0–C79	D0–D399
	–	✓	✓	–	–	–

Explanation Sets the designated element to ON, and maintains it in an ON state, regardless of whether the SET command is still driven. Use the RST command to set the element as OFF.

Example Ladder diagram:

	LD	X0	Load Contact A of X0
	AN	Y0	Establish a parallel connection to contact B of Y0
	SET	Y1	Action continues (ON)

Command	Function					
RST	Clear contact or register					
Operand	X0–X17	Y0–Y17	M0–M799	T0–159	C0–C79	D0–D399
	–	✓	✓	✓	✓	✓

Explanation Resets the designated element as described.

Element	Mode
Y, M	Both coil and contact are set as OFF.
T, C	Sets the current timing or count value to 0, and both the coil and contact are set to OFF.
D	Sets the content value to 0.

If the RST command is not executed, the status of the designated element remains unchanged.

Example Ladder diagram: 

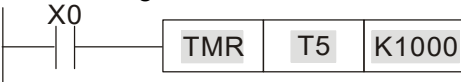
Command code:	Description:
LD X0	Load Contact A of X0
RST Y5	Clear the contact or register

Command	Function	
TMR	16-bit timer	
Operand	T-K	T0–T159, K0–K32,767
	T-D	T0–T159, D0–D399

Explanation Electrifies the designated timer coil, and the timer begins timing. The contact's action is as follows when the timing value reaches the designated setting value (timing value ≥ setting value):

N.O. (Normally Open) contact	Open circuit
N.C. (Normally Closed) contact	Closed circuit

If the RST command is not executed, the status of the designated element remains unchanged.

Example Ladder diagram: 

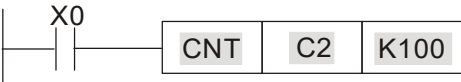
Command code:	Description:
LD X0	Load Contact A of X0
TMR T5 K1000	T5 timer Set value as K1000

Command	Function	
CNT	16-bit counter	
Operand	C-K	C0–C79, K0–K32,767
	C-D	C0–C79, D0–D399

Explanation When you execute the CNT command from OFF to ON, switch the designated counter coil from no power to electrified and add one to the counter's count value. When the count reaches the designated value (count value = setting value), the contact has the following action:

N.O. (Normally Open) contact	Open circuit
N.C. (Normally Closed) contact	Closed circuit

After reaching the count value, the contact and count value both remain unchanged even with continued count pulse input. Use the RST command to restart or clear the count.

Example Ladder diagram: 

Command code:	Description:
LD X0	Load Contact A of X0
CNT C2 K100	C2 counter Set value as K100

Command	Function
MC / MCR	Connect /release a common series contact
Operand	N0–N7

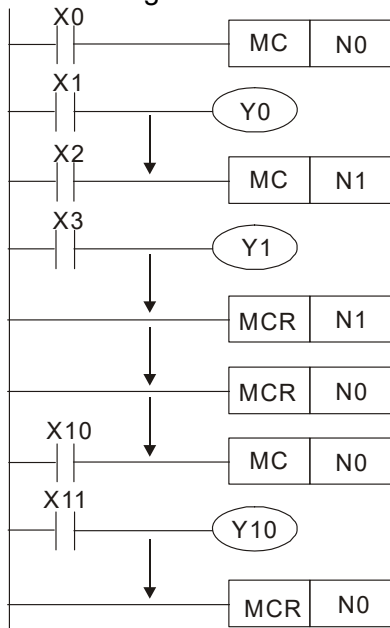
Explanation MC is the main control initiation command, and any command between MC and MCR is executed normally. When the MC command is OFF, any command between MC and MCR acts as follows:

Determination of commands	Description
Ordinary timer	The timing value reverts to 0, the coil loses power, and the contact does not operate.
Counter	The coil loses power, and the count value and contact stay in their current state.
Coil driven by OUT command	None receives power.
Elements driven by SET, RST commands	They remain in their current state.
Application commands	None are actuated.

MCR is the main control stop command, and is placed at the end of the main control program. There may not be any contact command prior to the MCR command. The MC-MCR main control program commands support a nested program structure with a maximum of only eight levels; use in the order N0–N7. Refer to the following program example:

Example

Ladder diagram:

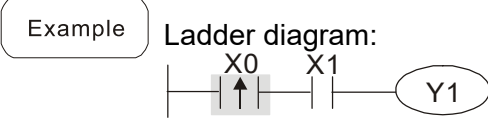


Command code: Description:

LD	X0	Load Contact A of X0
MC	N0	Connection of N0 common series contact
LD	X1	Load Contact A of X1
OUT	Y0	Drive Y0 coil
:		
LD	X2	Load Contact A of X2
MC	N1	Connection of N1 common series contact
LD	X3	Load Contact A of X3
OUT	Y1	Drive Y1 coil
:		
MCR	N1	Release N1 common series contact
:		
MCR	N0	Release N0 common series contact
:		
LD	X10	Load Contact A of X10
MC	N0	Connection of N0 common series contact
LD	X11	Load Contact A of X11
OUT	Y10	Drive Y10 coil
:		
MCR	N0	Release N0 common series contact

Command	Function					
LDP	Start of rising edge detection action					
Operand	X0–X17	Y0–Y17	M0–M799	T0–159	C0–C79	D0–D399
	✓	✓	✓	✓	✓	–

Explanation The LDP command has the same use as LD, but its action is different. Its function is to save the current content while also saving the detected state of the rising edge of the contact to the cumulative register.

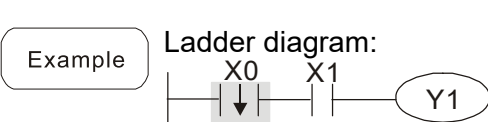


Command code: Description:

LDP	X0	Start of X0 rising edge detection action
AND	X1	Create a series connection to contact A of X1
OUT	Y1	Drive Y1 coil

Command	Function					
LDF	Start of falling edge detection action					
Operand	X0–X17	Y0–Y17	M0–M799	T0–159	C0–C79	D0–D399
	✓	✓	✓	✓	✓	–

Explanation The LDF command has the same use as LD, but its action is different. Its function is to save the current content while also saving the detected state of the falling edge of the contact to the cumulative register.

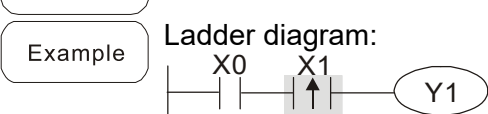


Command code: Description:

LDF	X0	Start of X0 falling edge detection action
AND	X1	Create a series connection to contact A of X1
OUT	Y1	Drive Y1 coil

Command	Function					
ANDP	Rising edge detection series connection					
Operand	X0–X17	Y0–Y17	M0–M799	T0–159	C0–C79	D0–D399
	✓	✓	✓	✓	✓	–

Explanation Use the ANDP command for a contact rising edge detection series connection.



Command code: Description:

LD	X0	Load Contact A of X0
ANDP	X1	X1 Rising edge detection series connection
OUT	Y1	Drive Y1 coil

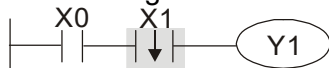
Command	Function					
ANDF	Falling edge detection series connection					
Operand	X0–X17	Y0–Y17	M0–M799	T0–159	C0–C79	D0–D399
	✓	✓	✓	✓	✓	–

Explanation

Use the ANDF command for a contact falling edge detection series connection.

Example

Ladder diagram:



Command code:		Description:
LD	X0	Load Contact A of X0
ANDF	X1	X1 Falling edge detection series connection
OUT	Y1	Drive Y1 coil

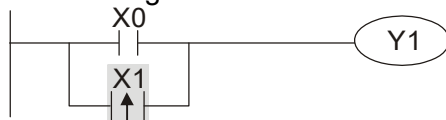
Command	Function					
ORP	Rising edge detection parallel connection					
Operand	X0–X17	Y0–Y17	M0–M799	T0–159	C0–C79	D0–D399
	✓	✓	✓	✓	✓	–

Explanation

Use the ORP command for a contact rising edge detection parallel connection.

Example

Ladder diagram:



Command code:		Description:
LD	X0	Load Contact A of X0
ORP	X1	X1 Rising edge detection parallel connection
OUT	Y1	Drive Y1 coil

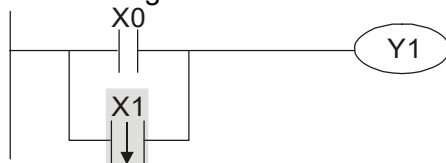
Command	Function					
ORF	Falling edge detection parallel connection					
Operand	X0–X17	Y0–Y17	M0–M799	T0–159	C0–C79	D0–D399
	✓	✓	✓	✓	✓	–

Explanation

Use the ORF command for a contact falling edge detection parallel connection.

Example

Ladder diagram:



Command code:		Description:
LD	X0	Load Contact A of X0
ORF	X1	X1 Falling edge detection parallel connection
OUT	Y1	Drive Y1 coil

Command	Function					
PLS	Upper differential output					
Operand	X0–X17	Y0–Y17	M0–M799	T0–159	C0–C79	D0–D399
	–	✓	✓	–	–	–

Explanation Upper differential output command: when X0 switches from OFF to ON (rising edge-triggered), the PLS command is executed, and M0 sends one pulse with the pulse length consisting of one scanning period.

Example Ladder diagram: Command code: Description:

LD	X0	Load Contact A of X0
PLS	M0	M0 Upper differential output
LD	M0	Load Contact A of M0
SET	Y0	Y0 Action continues (ON)

Timing diagram:

Command	Function					
PLF	Lower differential output					
Operand	X0–X17	Y0–Y17	M0–M799	T0–159	C0–C79	D0–D399
	–	✓	✓	–	–	–

Explanation Lower differential output command: when X0 switches from ON to OFF (falling edge-triggered), the PLF command is executed, and M0 sends one pulse with the pulse length consisting of one scanning period.

Example Ladder diagram: Command code: Description:

LD	X0	Load Contact A of X0
PLF	M0	M0 Lower differential output
LD	M0	Load Contact A of M0
SET	Y0	Y0 Action continues (ON)

Timing diagram:

Command	Function
END	End of Program
Operand	N/A

Explanation An END command must be added to the end of a ladder diagram program or command program. The PLC scans the program from address 0 to the END command, and then returns to address 0 and begins scanning again.

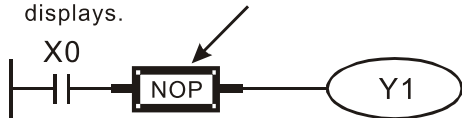
Command	Function
NOP	No action
Operand	N/A

Explanation

The NOP command does not perform any operation in the program. Because execution of this command retains the original logical operation results, you can use it in the following situation: use the NOP command instead of a command that is deleted without changing the program length.

Example

Ladder diagram:
NOP command is simplified and does not display when the ladder diagram displays.



Command code: Description:

LD	X0	Load Contact B of X0
NOP		No action
OUT	Y1	Drive Y1 coil

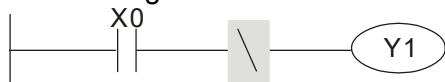
Command	Function
INV	Inverse of operation results
Operand	N/A

Explanation

Saves the result of the logic inversion operation prior to the INV command in the cumulative register.

Example

Ladder diagram:



Command code: Description:

LD	X0	Load Contact A of X0
INV		Inverse of operation results
OUT	Y1	Drive Y1 coil

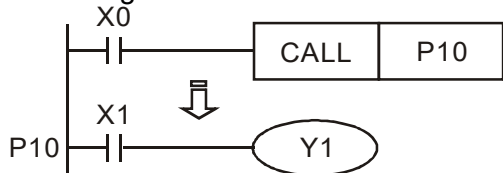
Command	Function
P	Pointer
Operand	P0–P255

Explanation

Use pointer P as the target in a subprogram call (command API 01 CALL). Using P does not require starting from zero, but the number cannot be used repeatedly; otherwise, an unpredictable error occurs.

Example

Ladder diagram:



Command code: Description:

LD	X0	Load Contact A of X0
CALL	P10	Call command CALL to P10
:		
P10		Pointer P10
LD	X1	Load Contact A of X1
OUT	Y1	Drive Y1 coil

16-6-3 Overview of application commands

Classification	API	Command code		P command	Function	STEPS	
		16 bit	32 bit			16 bit	32 bit
Circuit control	01	CALL	-	✓	Call subprogram	3	-
	2	SRET	-	-	End a subprogram	1	-
	06	FEND	-	-	End a main program	1	-
Send comparison	10	CMP	DCMP	✓	Compare set output	7	13
	11	ZCP	DZCP	✓	Range comparison	9	17
	12	MOV	DMOV	✓	Move data	5	9
	15	BMOV	-	✓	Send all	7	-
Four logical operations	20	ADD	DADD	✓	BIN addition	7	13
	21	SUB	DSUB	✓	BIN subtraction	7	13
	22	MUL	DMUL	✓	BIN multiplication	7	13
	23	DIV	DDIV	✓	BIN division	7	13
	24	INC	DINC	✓	BIN add one	3	5
	25	DEC	DDEC	✓	BIN subtract one	3	5
Rotational displacement	30	ROR	DROR	✓	Right rotation	5	-
	31	ROL	DROL	✓	Left rotation	5	-
Data Process	40	ZRST	-	✓	Clear range	5	-
	49	-	DFLT	✓	Convert BIN whole number to binary floating point number	-	9
Communication	150	MODRW	-	✓	Modbus read/write	7	-
Floating point operation	110	-	DECMP	✓	Compare binary floating point numbers	-	13
	111	-	DEZCP	✓	Compare binary floating point number range	-	17
	116	-	DRAD	✓	Convert angle to diameter	-	9
	117	-	DDEG	✓	Convert diameter to angle	-	9
	120	-	DEADD	✓	Add binary floating point numbers	-	13
	121	-	DESUB	✓	Subtract binary floating point numbers	-	13
	122	-	DEMUL	✓	Multiply binary floating point numbers	-	13
	123	-	DEDIV	✓	Divide binary floating point numbers	-	13
	124	-	DEXP	✓	Find exponent of a binary floating point number	-	9
	125	-	DLN	✓	Find natural logarithm of a binary floating point number	-	9
	127	-	DESQR	✓	Find the square root of binary floating point number	-	9
	129	-	DINT	✓	Convert binary floating point number to BIN whole number	-	9
	130	-	DSIN	✓	Find the sine of a binary floating point number	-	9
	131	-	DCOS	✓	Find the cosine of a binary floating point number	-	9
	132	-	DTAN	✓	Find the tangent of a binary floating point number	-	9
	133	-	DASIN	✓	Find the arcsine of a binary floating point number	-	9
	134	-	DACOS	✓	Find the arccosine of a binary floating point number	-	9
135	-	DATAN	✓	Find the arctangent of a binary floating point number	-	9	

Classification	API	Command code		P command	Function	STEPS	
		16 bit	32 bit			16 bit	32 bit
Floating point operation	136	–	DSINH	✓	Find the hyperbolic sine of a binary floating point number	–	9
	137	–	DCOSH	✓	Find the hyperbolic cosine of a binary floating point number	–	9
	138	–	DTANH	✓	Find the hyperbolic tangent of a binary floating point number	–	9
Calendar	160	TCMP	–	✓	Compare calendar data	11	–
	161	TZCP	–	✓	Compare calendar data range	9	–
	162	TADD	–	✓	Calendar data addition	7	–
	163	TSUB	–	✓	Calendar data subtraction	7	–
	166	TRD	–	✓	Calendar data read	3	–
GRAY code	170	GRY	DGRY	✓	Convert BIN to GRAY code	5	9
	171	GBIN	DGBIN	✓	Convert GRAY code to BIN	5	9
Contact form logical operation	215	LD&	DLD&	-	Contact form logical operation LD#	5	9
	216	LD	DLD	-	Contact form logical operation LD#	5	9
	217	LD^	DLD^	-	Contact form logical operation LD#	5	9
	218	AND&	DAND&	-	Contact form logical operation AND#	5	9
	219	ANDI	DANDI	-	Contact form logical operation AND#	5	9
	220	AND^	DAND^	-	Contact form logical operation AND#	5	9
	221	OR&	DOR&	-	Contact form logical operation OR#	5	9
	222	OR	DOR	-	Contact form logical operation OR#	5	9
	223	OR^	DOR^	-	Contact form logical operation OR#	5	9
Contact form comparison command	224	LD=	DLD=	-	Contact form compare LD*	5	9
	225	LD>	DLD>	-	Contact form compare LD*	5	9
	226	LD<	DLD<	-	Contact form compare LD*	5	9
	228	LD<>	DLD<>	-	Contact form compare LD*	5	9
	229	LD<=	DLD<=	-	Contact form compare LD*	5	9
	230	LD>=	DLD>=	-	Contact form compare LD*	5	9
	232	AND=	DAND=	-	Contact form compare AND*	5	9
	233	AND>	DAND>	-	Contact form compare AND*	5	9
	234	AND<	DAND<	-	Contact form compare AND*	5	9
	236	AND<>	DAND<>	-	Contact form compare AND*	5	9
	237	AND<=	DAND<=	-	Contact form compare AND*	5	9
	238	AND>=	DAND>=	-	Contact form compare AND*	5	9
	240	OR=	DOR=	-	Contact form compare OR*	5	9
	241	OR>	DOR>	-	Contact form compare OR*	5	9
242	OR<	DOR<	-	Contact form compare OR*	5	9	
244	OR<>	DOR<>	-	Contact form compare OR*	5	9	
245	OR<=	DOR<=	-	Contact form compare OR*	5	9	
246	OR>=	DOR>=	-	Contact form compare OR*	5	9	

Classification	API	Command code		P command	Function	STEPS	
		16 bit	32 bit			16 bit	32 bit
Floating point contact form	275	-	FLD=	-	Floating point number contact form compare LD*	-	9
	276	-	FLD>	-	Floating point number contact form compare LD*	-	9
	277	-	FLD<	-	Floating point number contact form compare LD*	-	9
Comparison command	278	-	FLD<>	-	Floating point number contact form compare LD*	-	9
	279	-	FLD<=	-	Floating point number contact form compare LD*	-	9
	280	-	FLD>=	-	Floating point number contact form compare LD*	-	9
	281	-	FAND=	-	Floating point number contact form compare AND*	-	9
	282	-	FAND>	-	Floating point number contact form compare AND*	-	9
	283	-	FAND<	-	Floating point number contact form compare AND*	-	9
	284	-	FAND<>	-	Floating point number contact form compare AND*	-	9
	285	-	FAND<=	-	Floating point number contact form compare AND*	-	9
	286	-	FAND>=	-	Floating point number contact form compare AND*	-	9
	287	-	FOR=	-	Floating point number contact form compare OR*	-	9
	288	-	FOR>	-	Floating point number contact form compare OR*	-	9
	289	-	FOR<	-	Floating point number contact form compare OR*	-	9
	290	-	FOR<>	-	Floating point number contact form compare OR*	-	9
	291	-	FOR<=	-	Floating point number contact form compare OR*	-	9
	292	-	FOR>=	-	Floating point number contact form compare OR*	-	9
Drive special command	139	RPR	-	✓	Read servo parameter	5	-
	140	WPR	-	✓	Write servo parameter	5	-
	141	FPID	-	✓	Drive PID control mode	9	-
	142	FREQ	-	✓	Drive operation control mode (Frequency command)	7	-
	263	TORQ	-	✓	Set target torque	5	-

16-6-4 Detailed explanation of application commands

API 01	CALL	P	(S)	Call a subprogram											
bit device		Word device										16-bit command (3 STEP)			
X	Y	M	K	H	KnX	KnY	KnM	T	C	D	CALL	Continuous execution type	CALLP	Pulse execution type	
Notes on operand usage: The S operand can designate P. MS300 series device: The S operand can designate P0-P63.											32-bit command				
											-	-	-	-	Flag signal: none

Explanation

- **S**: Call subprogram pointer.
- Write the subprogram after the FEND command.
- The subprogram must end after the SRET command.
- Refer to the FEND command explanation and sample content for detailed command functions.

API 02	SRET	P	-	End a subprogram											
bit device		Word device										16-bit command (1 STEP)			
X	Y	M	K	H	KnX	KnY	KnM	T	C	D	FEND	Continuous execution type	-	-	
Notes on operand usage: No operand A contact-driven command is not needed.											32-bit command				
											-	-	-	-	Flag signal: none

Explanation

- A contact-driven command is not needed. Automatically returns next command after CALL command.
- Indicates end of subprogram. After end of subprogram, SRET returns to main program, and executes next command after the original call subprogram CALL command.
- Refer to the FEND command explanation and sample content for detailed command functions.

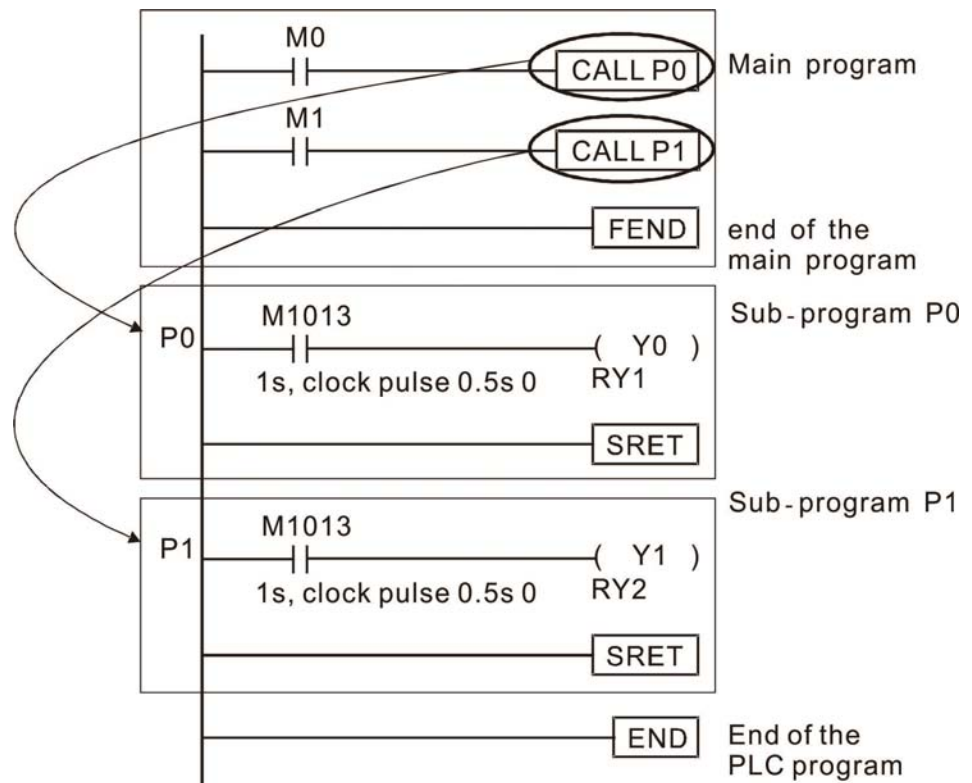
API 06	FEND	—	End of a main program
-----------	-------------	---	-----------------------

	bit device			Word device							16-bit command (1 STEP)				
	X	Y	M	K	H	KnX	KnY	KnM	T	C	D	FEND	Continuous execution type	—	—
Notes on operand usage: No operand A contact-driven command is not needed.												32-bit command			
												— — — —			
												Flag signal: none			

Explanation

- This command indicates the end of the main program. It is the same as the END command when the PLC executes this command.
- The CALL command program must be written after the FEND command, and the SRET command is added to the end of the subprogram.
- When using the FEND command, an END command is also needed. However, the END command must be placed at the end, after the main program and subprogram.

CALL command process



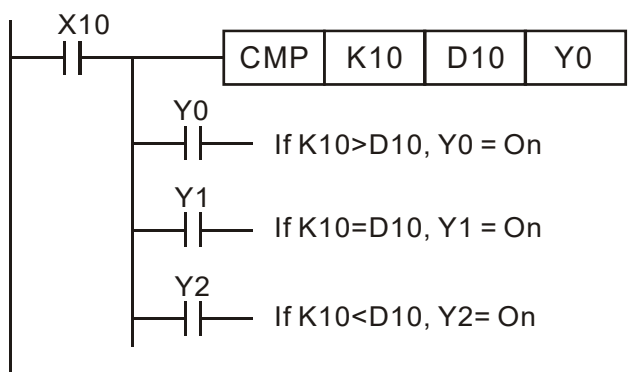
API 10	D	CMP	P	(S1)	(S2)	(D)	Compare set output							
bit device			Word device								16-bit command (7 STEP)			
X	Y	M	K	H	KnX	KnY	KnM	T	C	D	CMP	Continuous execution type	CMPP	Pulse execution type
S1			*	*	*	*	*	*	*	*				
S2			*	*	*	*	*	*	*	*				
D		*	*											
Notes on operand usage: The operand D occupies three consecutive points											32-bit command (13 STEP)			
											DCMP	Continuous execution type	DCMPP	Pulse execution type
											Flag signal: none			

Explanation

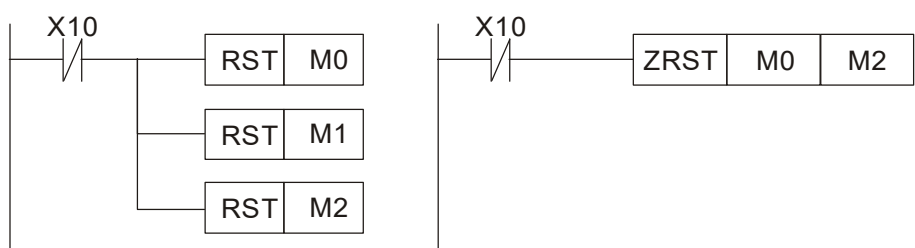
- **S1:** Compare value 1. **S2:** Compare value 2. **D:** Results of comparison.
- Compares the size of the content of operand **S1** and **S2**; stores the results of the comparison in **D**.
- Size comparison is performed algebraically. All data is compared in the form of numerical binary values. Because this is a 16-bit command, when b15 is 1, this indicates a negative number.

Example

- When the designated device is Y0, it automatically occupies Y0, Y1 and Y2.
- When X10=ON, the CMP command executes, and Y0, Y1 or Y2 is ON. When X10=OFF, the CMP command does not execute, and the state of Y0, Y1 and Y2 remain in the state prior to X10=OFF.
- For \geq , \leq , or \neq comparison results, use series and parallel connections among Y0–Y2.



- To clear results of comparison, use the RST or ZRST command.



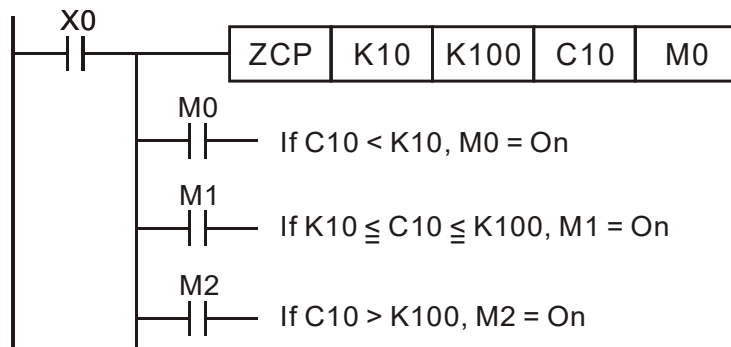
API 11	D	ZCP	P	(S1)	(S2)	(S)	(D)	Range comparison										
bit device		Word device										16-bit command (9 STEP)						
X	Y	M	K	H	KnX	KnY	KnM	T	C	D	ZCP	Continuous execution type	ZCPP	Pulse execution type				
S1			*	*	*	*	*	*	*	*								
S2			*	*	*	*	*	*	*	*								
S			*	*	*	*	*	*	*	*								
D		*	*															
Notes on operand usage: The content value of operand S1 is less than the content value of S2 operand. The operand D occupies three consecutive points.											32-bit command (17 STEP)							
											DZCP				Continuous execution type	DZCPP	Pulse execution type	
															Flag signal: none			

Explanation

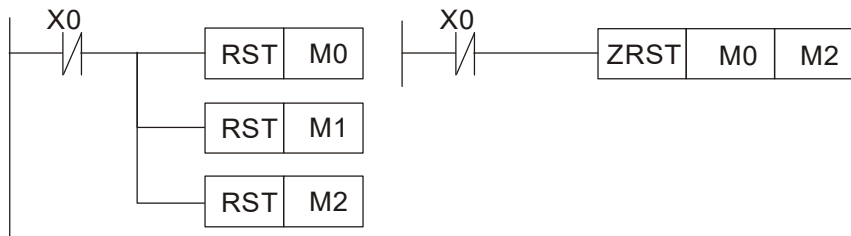
- **S1**: Lower limit of range comparison. **S2**: Upper limit of range comparison. **S**: Comparative value. **D**: Results of comparison.
- Compares value **S** with the lower limit **S1** and upper limit **S2**, and stores the results of comparison in **D**.
- When lower limit **S1** > upper limit **S2**, the command uses the lower limit **S1** as the upper and lower limit.
- Size comparison is performed algebraically. All data is compared in the form of numerical binary values. Because this is a 16-bit command, when b15 is 1, this indicates a negative number.

Example

- When the designated device is M0, it automatically occupies M0, M1 and M2.
- When X0=ON, the ZCP command executes, and M0, M1 or M2 is ON. When X0=OFF, the ZCP command does not execute, and the state of M0, M1 or M2 remains in the state prior to X0=OFF.
- For ≥, ≤, or ≠ comparison results, use series and parallel connections for M0–M2.



- To clear results of comparison, use the RST or ZRST command.



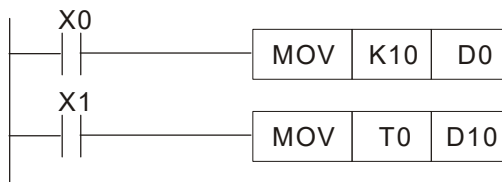
API 12	D	MOV	P	(S) (D)	Move data									
bit device		Word device									16-bit command (5 STEP)			
X	Y	M	K	H	KnX	KnY	KnM	T	C	D	MOV	Continuous execution type	MOVP	Pulse execution type
S			*	*	*	*	*	*	*	*				
D						*	*	*	*	*				
Notes on operand usage: none											32-bit command (9 STEP)			
											DMOV	Continuous execution type	DMOVP	Pulse execution type
											Flag signal: none			

Explanation

- **S**: Data source. **D**: Destination of data movement.
- Moves the content in **S** to **D**. When the command does not execute, the content of **D** does not change.

Example

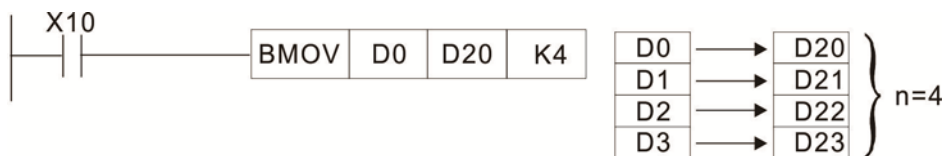
- When X0 = OFF, the content of D10 does not change; if X0 = ON, the value K10 is moved to data register D10.
- When X1 = OFF, the content of D10 does not change; if X1 = ON, the current value of T0 is moved to data register D10.



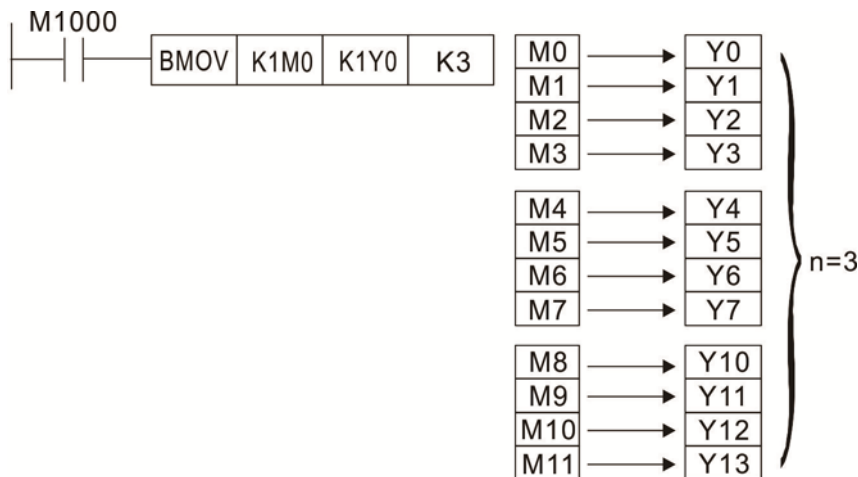
API 15	BMOV		P	(S)	(D)	(n)	Send all							
bit device			Word device								16-bit command (7 STEP)			
X	Y	M	K	H	KnX	KnY	KnM	T	C	D	BMOV	Continuous execution type	BMOV P	Pulse execution type
S					*	*	*	*	*	*				
D						*	*	*	*	*				
n			*	*				*	*		32-bit command			
Notes on operand usage: n operand scope n = 1 to 512											Flag signal: none			

- Explanation**
- **S**: Initiate source device. **D**: Initiate destination device. **n**: Send block length.
 - Sends the content of n registers starting from the initial number of the device designated by **S** to the n registers starting from the initial number of the device designated by **n**; if the number of points referred to by n exceeds the range used by that device, sends only points within the valid range.

- Example 1**
- When X10=ON, sends the content of registers D0–D3 to the four registers D20–D23.



- Example 2**
- When sending from designated bit devices KnX, KnY, and KnM, **S** and **D** must have the same number of nibbles, which means n must be identical for source and destination.



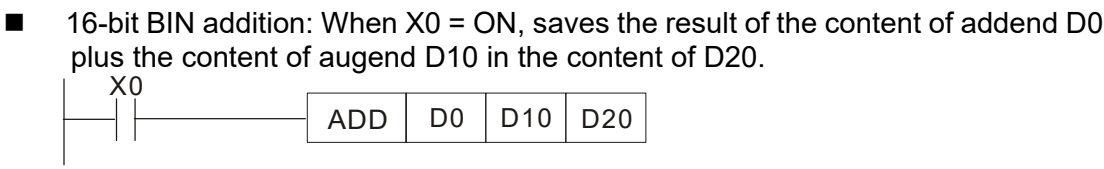
API 20	D	ADD	P	(S1)	(S2)	(D)	BIN addition							
bit device			Word device								16-bit command (7 STEP)			
X	Y	M	K	H	KnX	KnY	KnM	T	C	D	ADD	Continuous execution type	ADDP	Pulse execution type
S1			*	*	*	*	*	*	*	*				
S2			*	*	*	*	*	*	*	*				
D						*	*	*	*	*				
Notes on operand usage: none											32-bit command (13 STEP)			
											DADD	Continuous execution type	DADDP	Pulse execution type
											Flag signal: M1020 Zero flag M1021 Borrow flag M1022 Carry flag Refer to the following supplementary explanation			

Explanation

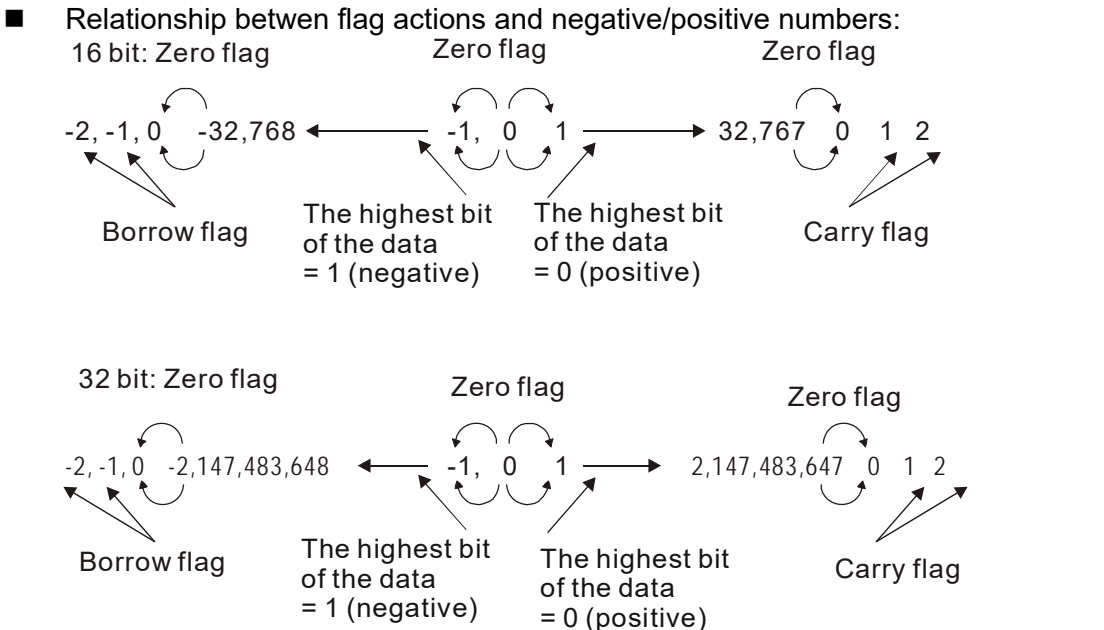
- **S1**: Augend. **S2**: Addend. **D**: Sum.
- Adds **S1** and **S2** using the BIN method and stores result in **D**.
- The highest bit of any data defines the sign: bit=0 indicates (positive) bit=1 indicates (negative); enables the use of algebraic addition operations (for instance: 3+(-9) = -6).
- Flag changes connected with the addition.

- 16-bit command:
1. When calculation results are 0, the zero flag M1020 is ON.
 2. When calculation results are less than -32,768, the borrow flag M1021 is ON.
 3. When calculation results are greater than 32,767, the carry flag M1022 is ON.
- 32-bit command:
1. When calculation results are 0, the zero flag M1020 is ON.
 2. When calculation results are less than -2,147,483,648, the borrow flag M1021 is ON.
 3. When calculation results are greater than 2,147,483,647, the carry flag M1022 is ON.

Example



Remark



API 21	D	SUB	P	(S1) (S2) (D)	BIN subtraction									
bit device			Word device								16-bit command (7 STEP)			
X	Y	M	K	H	KnX	KnY	KnM	T	C	D	SUB	Continuous execution type	SUBP	Pulse execution type
S1			*	*	*	*	*	*	*	*				
S2			*	*	*	*	*	*	*	*				
D						*	*	*	*	*				
Notes on operand usage: none											32-bit command (13 STEP)			
											DSUB	Continuous execution type	DSUBP	Pulse execution type
											Flag signal: M1020 Zero flag M1021 Borrow flag M1022 Carry flag Refer to the following supplementary explanation			

- Explanation
- **S1**: Minuend. **S2**: Subtrahend. **D**: Difference.
 - Subtracts **S2** from **S1** using the BIN method and stores result in **D**.
 - The highest bit of any data defines the sign bit=0 indicates (positive) bit=1 indicates (negative); enables the use of algebraic subtraction operations.
 - Flag changes connected with subtraction.

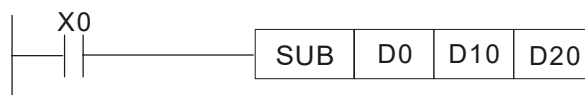
16-bit command:

1. When calculation results are 0, the zero flag M1020 is ON.
2. When calculation results are less than -32,768, the borrow flag M1021 is ON.
3. When calculation results are greater than 32,767, the carry flag M1022 is ON.

32-bit command:

1. When calculation results are 0, the zero flag M1020 is ON.
2. When calculation results are less than -2,147,483,648, the borrow flag M1021 is ON.
3. When calculation results are greater than 2,147,483,647, the carry flag M1022 is ON.

- Example
- 16-bit BIN subtraction: When X0 = ON, subtracts the content of D10 from the content of D0, and stores the difference in D20.

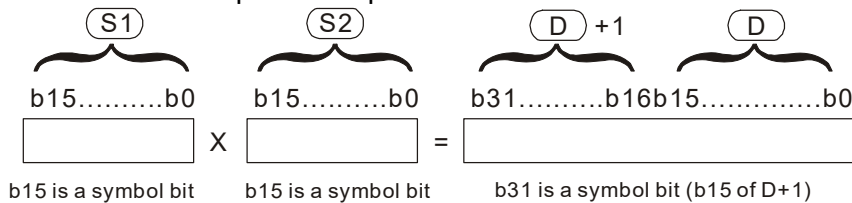


API 22	D	MUL	P	(S1)	(S2)	(D)	BIN multiplication							
bit device			Word device								16-bit command (7 STEP)			
X	Y	M	K	H	KnX	KnY	KnM	T	C	D	MUL	Continuous execution type	MULP	Pulse execution type
S1			*	*	*	*	*	*	*	*				
S2			*	*	*	*	*	*	*	*				
D						*	*	*	*	*	32-bit command (13 STEP)			
Notes on operand usage: The 16-bit command operand D occupies two consecutive points.											DMUL	Continuous execution type	DMULP	Pulse execution type
											Flag signal: none			

Explanation

- **S1:** Multiplicand. **S2:** Multiplier. **D:** Product.
- Multiplies **S1** and **S2** using the BIN method, and stores the product in **D**.

16-bit BIN multiplication operation:



Symbol bit = 0 refers to a positive value.
Symbol bit = 1 refers to a negative value.

When **D** is a bit device, K1–K4 can be designated as a hexadecimal number, which occupies two consecutive units.

Example

- When 16-bit D0 is multiplied by 16-bit D10, the result is a 32-bit product; the upper 16 bits are stored in D21, and the lower 16 bits are stored in D20. The bit at the farthest left indicates the sign of the result.



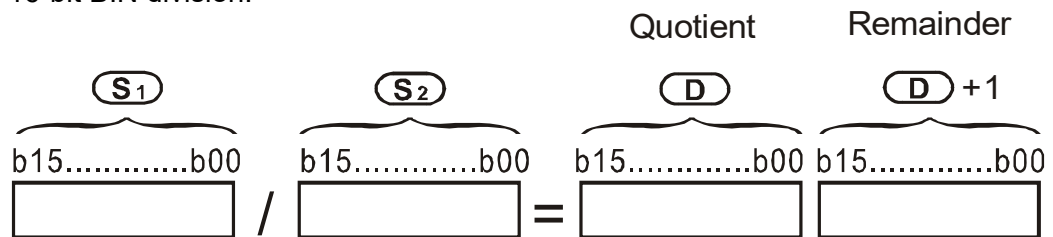
API 23	D	DIV	P	(S1)	(S2)	(D)	BIN division								
bit device		Word device										16-bit command (7 STEP)			
X	Y	M	K	H	KnX	KnY	KnM	T	C	D	DIV	Continuous execution type	DIVP	Pulse execution type	
S1			*	*	*	*	*	*	*	*	32-bit command (13 STEP)				
S2			*	*	*	*	*	*	*	*	DDIV	Continuous execution type	DDIVP	Pulse execution type	
D						*	*	*	*	*	Flag signal: none				
Notes on operand usage: The 16-bit command operand D occupies two consecutive points.															

Explanation

- **S1**: Dividend. **S2**: Divisor. **D**: Quotient and remainder.

Divides **S1** by **S2** and stores the quotient and remainder in **D** using the BIN method. The sign bit for **S1**, **S2** and **D** must be kept in mind when performing a 16-bit operation.

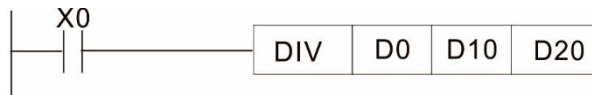
16-bit BIN division:



If **D** is a bit device, K1–K4 can be designated as 16 bits, which occupy two consecutive units and yield the quotient and remainder.

Example

- When X0=ON, stores the quotient resulting from division of dividend D0 by divisor D10 in D20, and the remainder in D21. The highest bit indicates the sign of the result.



API 24	D	INC	P	(D)	BIN add one										
bit device		Word device										16-bit command (3 STEP)			
X	Y	M	K	H	KnX	KnY	KnM	T	C	D	INC	Continuous execution type	INCP	Pulse execution type	
D					*	*	*	*	*	*					
Notes on operand usage: none											32-bit command (5 STEP)				
											DINC	Continuous execution type	DINCP	Pulse execution type	
											Flag signal: none				

Explanation

- **D**: Destination device.
- If a command is not the pulse execution type, adds 1 to the content of device (D) during each scanning cycle.
- Generally use this command as a pulse execution type command (INCP).
- During 16-bit operation, 32,767 + 1 rolls over to -32,768. During 32-bit operation, 2,147,483,647 + 1 rolls over to -2,147,483,648.

Example

- When X0 switches from OFF to ON, it automatically adds 1 to the content of D0.



API 25	D	DEC	P	(D)	BIN subtract one										
bit device		Word device										16-bit command (3 STEP)			
X	Y	M	K	H	KnX	KnY	KnM	T	C	D	DEC	Continuous execution type	DECP	Pulse execution type	
D			*	*	*	*	*								
Notes on operand usage: none											32-bit command (5 STEP)				
											DDEC	Continuous execution type	DDECP	Pulse execution type	
											Flag signal: none				

Explanation

- **D**: Destination device.
- If a command is not the pulse execution type, adds 1 to the content of device **D** during each scanning cycle.
- Generally use this command as a pulse execution type command (DECP).
- During 16-bit operation, -32,768 - 1 rolls over to 32,767. During 32-bit operation, -2,147,483,648 - 1 rolls over to 2,147,483,647.

Example

- When X0 switches OFF to ON, it automatically subtracts 1 from the content of D0.



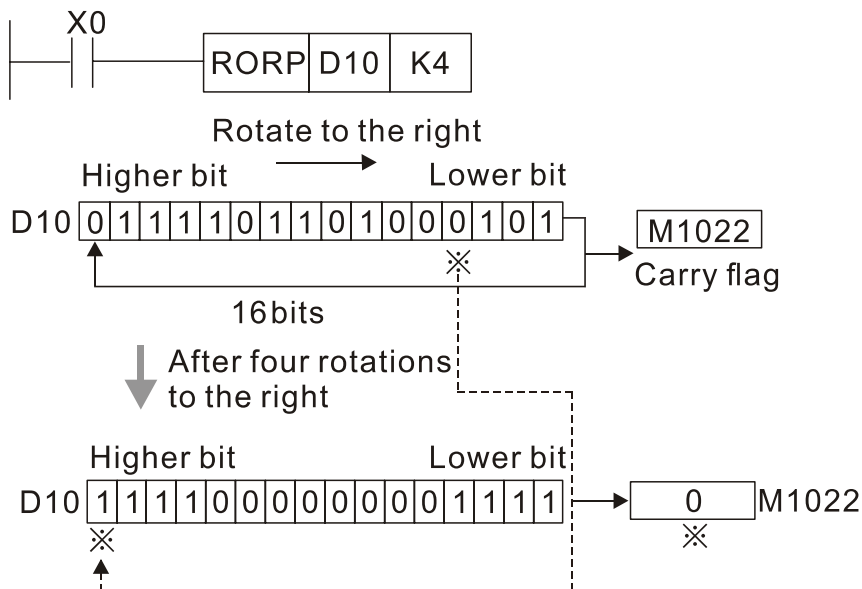
API 30	D	ROR	P	(D)	(n)	Right rotation									
bit device		Word device										16-bit command (5 STEP)			
X	Y	M	K	H	KnX	KnY	KnM	T	C	D	ROR	Continuous execution type	RORP	Pulse execution type	
D						*	*	*	*	*					
n			*	*							32-bit command (9 STEP)				
Notes on operand usage: K4 (16-bit) is only valid if the operand D is designated as KnY or KnM. n operand n=K1-K16 (16-bit)											DROR	Continuous execution type	DRORP	Pulse execution type	
											Flag signal: M1022 Carry flag				

Explanation

- **D**: Device to be rotated. **n**: Number of bits for one rotation.
- Rotates the device designated by **D** to the right **n** bits.
- Generally use this command as a pulse execution type command (RORP).

Example

- When X0 switches OFF to ON, 4 of the 16 bits in D10 specify a right rotation; the content of the bit indicated with * (see diagram below) is sent to the carry flag signal M1022.



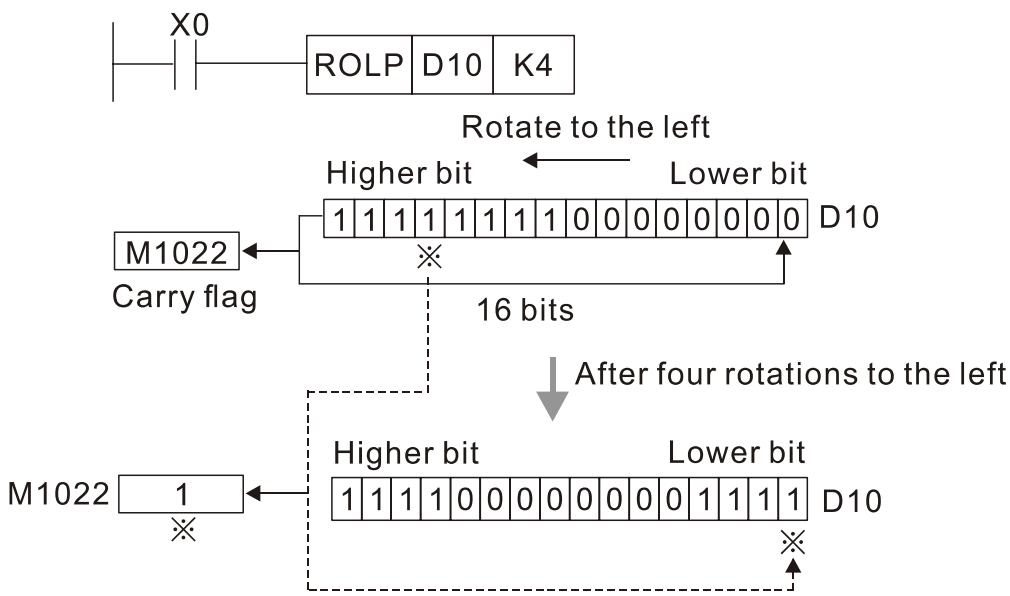
API 31	D	ROL	P	(D)	(n)	Left rotation									
bit device		Word device										16-bit command (5 STEP)			
X	Y	M	K	H	KnX	KnY	KnM	T	C	D	ROL	Continuous execution type	ROLP	Pulse execution type	
D						*	*	*	*	*	32-bit command (9 STEP)				
n			*	*							DROL	Continuous execution type	DROLP	Pulse execution type	
Notes on operand usage: K4 (16-bit) is only valid if the operand D is designated as KnY or KnM. n operand n=1 to 16 (16-bit)											Flag signal: M1022 Carry flag				

Explanation

- **D**: Device to be rotated. **n**: Number of bits for one rotation.
- Rotates the device designated by **D** to the left **n** bits.
- Generally use this command as a pulse execution type command (ROLP).

Example

- When X0 switches OFF to ON, 4 of the 16 bits in D10 specify a left rotation; the content of the bit indicated with * (see diagram below) is sent to the carry flag signal M1022.



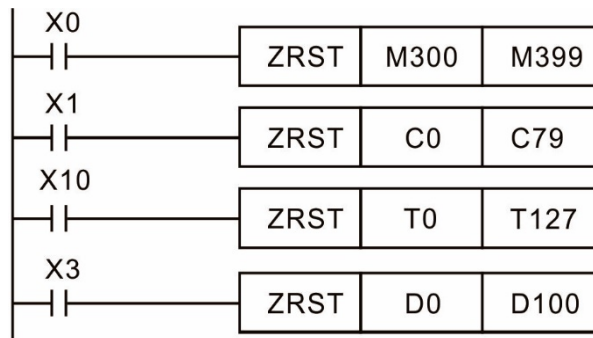
API 40	ZRST	P	(D1) (D2)	Clear range
-----------	-------------	----------	-----------	-------------

bit device			Word device									16-bit command (5 STEP)			
X	Y	M	K	H	KnX	KnY	KnM	T	C	D	ZRST	Continuous execution type	ZRSTP	Pulse execution type	
D1	*	*						*	*	*					
D2	*	*						*	*	*					

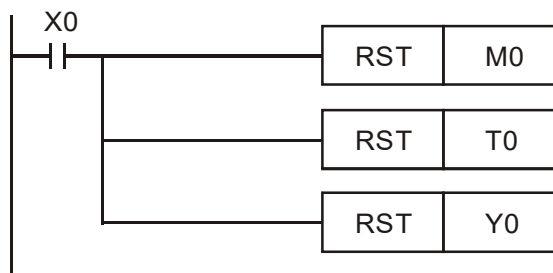
Notes on operand usage:
 Number of operand D1 operand ≤ number of operand D2.
 Operands D1, D2 must designate the same type of device. Refer to the function specifications table for each device in series for the scope of device usage.

32-bit command
 — — — —
 Flag signal: none

- Explanation**
- **D1**: Clear range's initial device. **D2**: Clear range's final device.
 - When the number of operand **D1** > number of operand **D2**, only the operand designated by **D2** is cleared.
- Example**
- When X0 is ON, clears auxiliary relays M300–M399, changes them to OFF.
 - When X1 is ON, 16-bit clears counters C0–C79 (writes 0, and clears and changes contact and coil to OFF).
 - When X10 is ON, clears timer T0–T127 (writes 0, and clears and changes contact and coil to OFF).
 - When X3 is ON, clears the data in data registers D0–D100 (sets to 0).



- Remark**
- Devices such as bit device Y, M and word device T, C, D can independently use the clear command (RST).



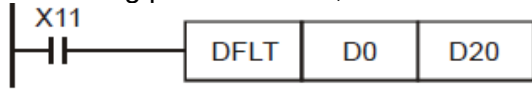
API 49	D	FLT	P	(S) (D)	Convert BIN whole number to binary decimal												
	bit device			Word device								16-bit command					
	X	Y	M	K	H	KnX	KnY	KnM	T	C	D	-		-		-	
S		*	*						*	*	*	32-bit command (9 steps)					
D		*	*						*	*	*	DFLT	Continuous execution type	DFLTP	Pulse execution type		
Notes on operand usage: Refer to the function specifications table for each device in series for the scope of device usage The operand D occupies two consecutive points.												Flag signal: none					

Explanation

- **S:** Source device. **D:** Result device.
- Converts a BIN whole number into a binary decimal value.

Example

- When X11 is ON, converts the whole number corresponding to D0 and D1 into floating point numbers, and stores the result in D20 and D21.

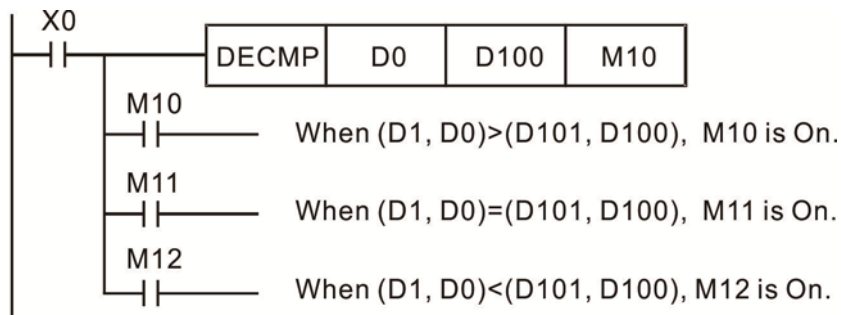


API 110	D	ECMP	P	(S1)	(S2)	(D)	Compare binary floating point numbers							
bit device			Word device								16-bit command			
X	Y	M	K	H	KnX	KnY	KnM	T	C	D	-			
S1			*	*						*	-			
S2			*	*						*	32-bit command (13 STEP)			
D			*	*						*	DECMP	Continuous execution type	DECMP	Pulse execution type
Notes on operand usage: The operand D occupies three consecutive points. Refer to the function specifications table for each device in series for the scope of device usage.										Flag signal: none				

Explanation ■ **S₁**: Binary floating point number 1. **S₂**: Binary floating point number 2. **D**: Results of comparison, occupies three consecutive points.

- Compares binary floating point number 1 with binary floating point number 2, and stores the result of comparison (>, =, <) in **D**.
- If the source operand **S₁** or **S₂** designates a constant K or H, the command converts the constant to a binary floating point number for the purpose of comparison.

- Example**
- When the designated device is M10, it automatically occupies M10-M12.
 - When X0=ON, the DECMP command executes, and one of M10-M12 is ON. When X0=OFF, the DECMP command does not execute, and M10-M12 remains in the X0=OFF state.
 - For ≥, ≤, or ≠ comparison results, use series and parallel connections for M10-M12.
 - Use the RST or ZRST command to clear the result.



API 111	D	EZCP	P	S ₁	S ₂	S	D	Compare binary floating point number range
------------	---	------	---	----------------	----------------	---	---	--

	bit device			Word device								16-bit command				
	X	Y	M	K	H	KnX	KnY	KnM	T	C	D					
S ₁				*	*							*				
S ₂				*	*							*				
S				*	*							*	32-bit command (17 STEP)			
D		*	*										DEZCP	Continuous execution type	DEZCPP	Pulse execution type

Notes on operand usage:
 The operand D occupies three consecutive points.
 Refer to the function specifications table for each device in series for the scope of device usage.

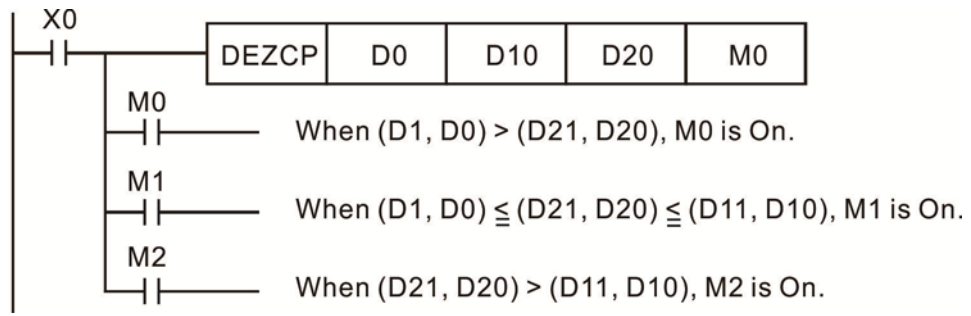
Flag signal: none

Explanation

- **S₁**: Lower limit of binary floating point number in range comparison. **S₂**: Upper limit for binary floating point number in range comparison. **S**: Comparison of binary floating point numerical values. **D**: Results of comparison, occupies three consecutive points.
- Compares binary floating point number **S** with the lower limit value **S₁** and the upper limit value **S₂**; stores the results of comparison in **D**.
- **If the source operand S₁ or S₂ designates a constant K or H, the command converts the constant to a binary floating point number for the purpose of comparison.**
- When the lower limit **S₁** is greater than the upper limit **S₂**, the command uses **S₁** as the lower and upper limit.

Example

- When the designated device is M0, it automatically occupies M0–M2.
- When X0=ON, the DEZCP command executes, and one of M0–M2 is ON. When X0=OFF, the EZCP command does not execute, and M0–M2 remains in the X0=OFF state.
- Use the RST or ZRST command to clear the result.

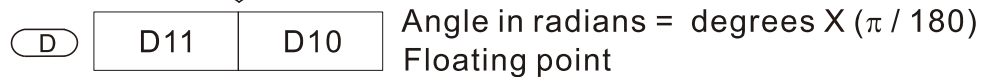


API 116	D	RAD	P	(S) (D)	Convert angle to diameter									
bit device		Word device									16-bit command			
X	Y	M	K	H	KnX	KnY	KnM	T	C	D	-	-	-	-
S			*	*						*	32-bit command (9 STEP)			
D										*	DRAD	Continuous execution type	DRADP	Pulse execution type
Notes on operand usage: Refer to the function specifications table for each device in series for the scope of device usage.											Flag signal: none			

Explanation ■ **S:** data source (angle). **D:** result of conversion (diameter).

- Uses the following formula to convert angles to radians.
Diameter = Angle × (π/180)

Example ■ When X0=ON, converts the angle of the designated binary floating point number (D1, D0) to radians and stores the result in (D11, D10); the result is a binary floating point number.

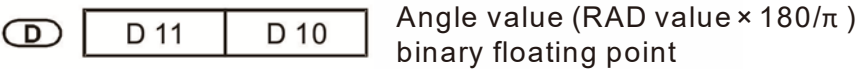


API 117	D	DEG	P	(S) (D)	Convert radian to angle														
bit device		Word device										16-bit command							
X	Y	M	K	H	KnX	KnY	KnM	T	C	D	-		-		-		-		
S			*	*							*	32-bit command (9 STEP)							
D											*	DDEG		Continuous execution type		DDEGP		Pulse execution type	
Notes on operand usage: Refer to the function specifications table for each device in series for the scope of device usage.												Flag signal: none							

- Explanation
- **S**: data source (radian). **D**: results of conversion (angle).
 - Uses the following formula to convert radians to an angle.

$$\text{Angle} = \text{Radian} \times (180/\pi)$$

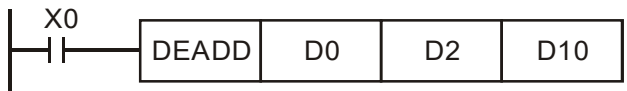
- Example
- When X0=ON, angle of the designated binary floating point number (D1, D0) in radians is converted to an angle and stored in (D11, D10), with the content consisting of a binary floating point number.



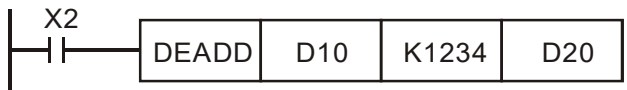
API 120	D	EADD	P	(S1)	(S2)	(D)	Add binary floating point numbers							
bit device		Word device										16-bit command		
X	Y	M	K	H	KnX	KnY	KnM	T	C	D	-			
S1			*	*						*	-			
S2			*	*						*	32-bit command (9 STEP)			
D										*	DEADD	Continuous execution type	DEADDP	Pulse execution type
Notes on operand usage: Refer to the function specifications table for each device in series for the scope of device usage.											Flag signal: none			

- Explanation**
- **S₁**: addend. **S₂**: augend. **D**: sum.
 - Adds the content of the register designated by **S₂** to the content of the register designated by **S₁**, and stores the result in the register designated by **D**. Addition is performed entirely using binary floating point numbers.
 - **If the source operand S₁ or S₂ designates a constant K or H, the command converts that constant into a binary floating point number for use in addition.**
 - **In the situation when S₁ and S₂ designate identical register numbers, if a "continuous execution" command is employed, when conditional contact is ON, the register performs addition once during each scan. You generally use Pulse execution type commands (DEADDP) under ordinary circumstances.**

- Example**
- When X0=ON, adds a binary floating point number (D1, D0) to a binary floating point number (D3, D2), and stores the results in (D11, D10).



- When X2 =ON, adds a binary floating point number (D11, D10) to K1234 (which is automatically converted to a binary floating point number), and stores the results in (D21, D20).



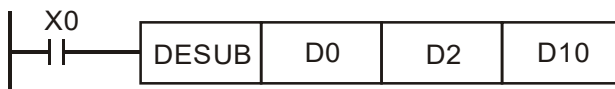
API 121	D	ESUB	P	(S ₁)	(S ₂)	(D)	Subtract binary floating point numbers								
bit device			Word device								16-bit command				
	X	Y	M	K	H	KnX	KnY	KnM	T	C	D	- - - -			
S1				*	*						*	32-bit command (13 STEP)			
S2				*	*						*	DESUB Continuous execution type DESUBP Pulse execution type			
D											*	Flag signal: none			
Notes on operand usage: Refer to the function specifications table for each device in series for the scope of device usage.															

Explanation

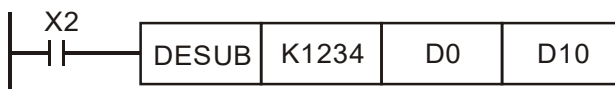
- **S₁**: minuend. **S₂**: subtrahend. **D**: difference.
- Subtracts the content of the register designated by **S₂** from the content of the register designated by **S₁**, and stores the difference in the register designated by **D**; subtraction is performed entirely using binary floating point numbers.
- If the source operand **S₁** or **S₂** designates a constant K or H, the command converts that constant into a binary floating point number for use in subtraction.
- In the situation when **S₁** and **S₂** designate identical register numbers, if a "continuous execution" command is employed, when conditional contact is ON, the register performs subtraction once during each scan. You generally use pulse execution type commands (DESUBP) under ordinary circumstances.

Example

- When X0=ON, subtracts a binary floating point number (D1, D0) from a binary floating point number (D3, D2), and stores the results in (D11, D10).



- When X2 =ON, subtracts the binary floating point number (D1, D0) from K1234 (which is automatically converted to a binary floating point number), and stores the results in (D11, D10).



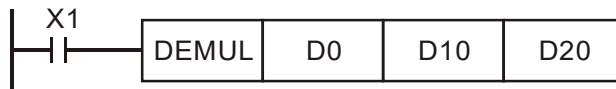
API 122	D	EMUL	P	(S1)	(S2)	(D)	Multiply binary floating point numbers								
bit device			Word device								16-bit command				
	X	Y	M	K	H	KnX	KnY	KnM	T	C	D	-			
S1				*	*						*	32-bit command (13 STEP)			
S2				*	*						*	DEMUL Continuous execution type DEMULP Pulse execution type			
D											*	Flag signal: none			
Notes on operand usage: Refer to the function specifications table for each device in series for the scope of device usage.															

Explanation

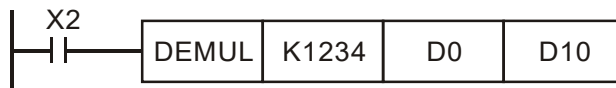
- **S₁**: multiplicand. **S₂**: multiplier. **D**: product.
- Multiplies the content of the register designated by **S₁** by the content of the register designated by **S₂**, and stores the product in the register designated by **D**; multiplication is performed entirely using binary floating point numbers.
- **If the source operand S₁ or S₂ designates a constant K or H, the command converts that constant into a binary floating point number for use in multiplication.**
- **In the situation when S₁ and S₂ designate identical register numbers, if you employ a "continuous execution" command, when conditional contact is ON, the register performs multiplication once during each scan. You generally use pulse execution type commands (DEMULP) under ordinary circumstances.**

Example

- When X1=ON, multiplies the binary floating point number (D1, D0) by the binary floating point number (D11, D10), and stores the product in the register designated by (D21, D20).



- When X2 =ON, multiplies the binary floating point number (D1, D0) by K1234 (which is automatically converted to a binary floating point number), and stores the results in (D11, D10).



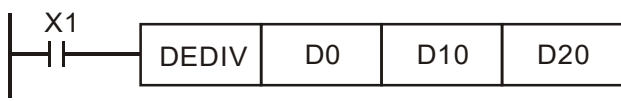
API 123	D	EDIV	P	(S1)	(S2)	(D)	Divide binary floating point numbers							
bit device			Word device								16-bit command			
X	Y	M	K	H	KnX	KnY	KnM	T	C	D	-			
S1			*	*						*	32-bit command (13 STEP)			
S2			*	*						*	DEDIV Continuous execution type DEDIVP Pulse execution type			
D										*	Flag signal: none			
Notes on operand usage: Refer to the function specifications table for each device in series for the scope of device usage.														

Explanation

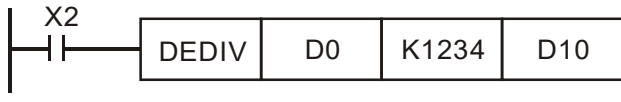
- S1: dividend. S2: divisor. D: quotient.
- Divides the content of the register designated by S1 by the content of the register designated by S2 and stores the quotient in the register designated by D; division is performed entirely using binary floating point numbers.
- If the source operand S1 or S2 designates a constant K or H, the command converts that constant into a binary floating point number for use in division.

Example

- When X1=ON, divides the binary floating point number (D1, D0) by the binary floating point number (D11, D10), and stores the quotient in the register designated by (D21, D20).



- When X2 =ON, divides the binary floating point number (D1, D0) by K1,234 (which is automatically converted to a binary floating point number), and stores the results in (D11, D10).



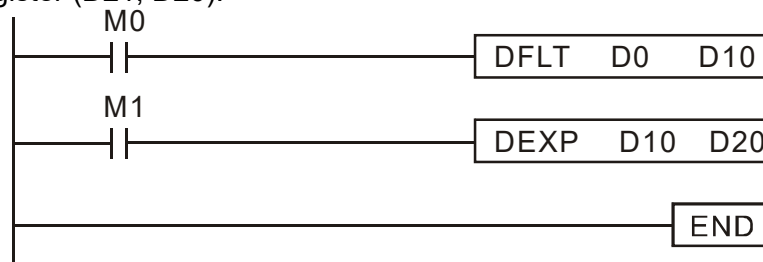
API 124	D	EXP	P	(S) (D)	Find the exponent of a binary floating point number										
bit device		Word device										16-bit command			
X	Y	M	K	H	KnX	KnY	KnM	T	C	D	-	-	-	-	
S			*	*						*	32-bit command (9 STEP)				
D										*	DEXP	Continuous execution type	DEXPP	Pulse execution type	
Notes on operand usage: Refer to the function specifications table for each device in series for the scope of device usage.											Flag signal: none				

Explanation

- **S**: operation source device. **D**: operation results device.
- Taking $e = 2.71828$ as a base, **S** is the exponent in the EXP operation.
- $[D + 1, D] = EXP[S + 1, S]$
- Valid regardless of whether the content of **S** has a positive or negative value. The designated register D must have a 32-bit data format. Performs the operation using floating point numbers, and converts **S** to a floating point number.
- Content of operand $D = e^S$; $e = 2.71828$, **S** is the designated source data.

Example

- When M0 is ON, converts the value of (D1, D0) to a binary floating point number, and stores the result in register (D11, D10).
- When M1 is ON, performs the EXP operation on the exponent of (D11, D10), converts the result to a binary floating point number and stores it in register (D21, D20).



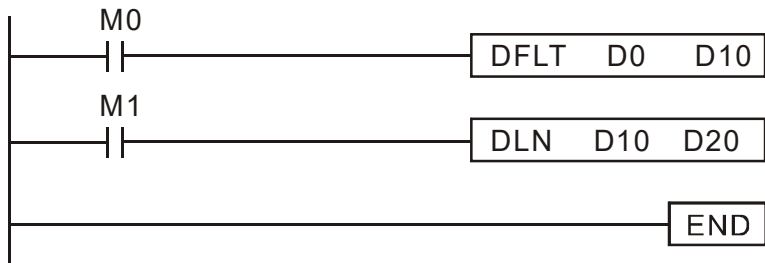
API 125	D	LN	P	<div style="display: flex; justify-content: space-around; align-items: center;"> S D </div>								Find the natural logarithm of a binary floating point			
bit device			Word device									16-bit command			
X	Y	M	K	H	KnX	KnY	KnM	T	C	D	- - - -				
S			*	*						*	-				
D										*	32-bit command (9 STEP)				
Notes on operand usage: Refer to the function specifications table for each device in series for the scope of device usage.											DLN	Continuous execution type	DLNP	Pulse execution type	
											Flag signal: none				

Explanation

- **S**: operation source device. **D**: operation results device.
- Taking $e = 2.71828$ as a base, **S** is the exponent in the EXP operation.
- $[D + 1, D] = \text{EXP}[S + 1, S]$
- Valid regardless of whether the content of **S** has a positive or negative value. The designated register D must have a 32-bit data format. Performs the operation using floating point numbers and converts **S** to a floating point number.
- Content of operand $D = e^S$; $e = 2.71828$, **S** is the designated source data

Example

- When M0 is ON, converts the value of (D1, D0) to a binary floating point number, and stores the result in register (D11, D10).
- When M1 is ON, performs the EXP operation on the exponent of (D11, D10); converts the result to a binary floating point number stores it in register (D21, D20).



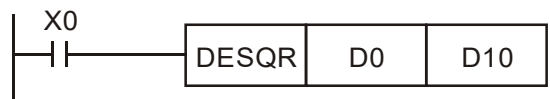
API 127	D	ESQR	P	(S) (D)	Find the square root of a binary floating point number									
bit device		Word device								16-bit command				
X	Y	M	K	H	KnX	KnY	KnM	T	C	D	-	-	-	-
S			*	*						*	32-bit command (9 STEP)			
D										*	DESQR	Continuous execution type	DESQR	Pulse execution type
Notes on operand usage: Refer to the function specifications table for each device in series for the scope of device usage.										Flag signal: none				

Explanation

- **S**: source device for which square root is desired **D**: result of finding square root.
- Finds the square root of the content of the register designated by **S**, stores the result in the register designated by **D**. Square roots are performed entirely using binary floating point numbers.
- If the source operand **S** refers to a constant K or H, the command converts that constant into a binary floating point number for use in the operation.

Example

- When X0=ON, finds the square root of the binary floating point number (D1, D0), and stores the result in the register designated by (D11, D10).



$$\sqrt{\text{Binary floating point (D1, D0)}} \rightarrow \text{Binary floating point (D11, D10)}$$

- When X2 =ON, finds the square root of K1,234 (which has been automatically converted to a binary floating point number), and stores the results in (D11, D10).



API 129	D	INT	P	(S) (D)	Convert binary floating point number to BIN whole number
------------	----------	------------	----------	-----------------------	--

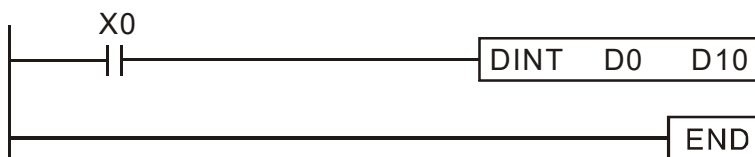
	bit device			Word device								16-bit command				
	X	Y	M	K	H	KnX	KnY	KnM	T	C	D	-	-	-	-	
S												*				
D												*				
Notes on operand usage: Refer to the function specifications table for each device in series for the scope of device usage.												DINT	Continuous execution type	DINTP	Pulse execution type	
												Flag signal: none				

Explanation

- **S**: the source device to be converted. **D**: results of conversion.
- Converts the content of the register designated by **S** from a binary floating point number format to a BIN whole number, and stores the results in **D**. The BIN whole number floating point number is discarded.
- The action of this command is the opposite of that of command API 49 (FLT).

Example

- When X0=ON, converts the binary floating point number (D1, D0) into a BIN whole number, and stores the result in (D10); the BIN whole number floating point number is discarded.

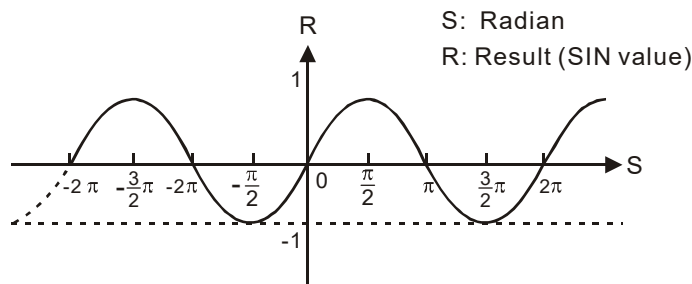


API 130	D	SIN	P	(S) (D)	Find the sine of a binary floating point number										
bit device		Word device										16-bit command			
X	Y	M	K	H	KnX	KnY	KnM	T	C	D	-				
S			*	*						*	-				
D										*	32-bit command (9 STEP)				
Notes on operand usage: Refer to the function specifications table for each device in series for the scope of device usage.											DSIN	Continuous execution type	DSINP	Pulse execution type	
Flag signal: none															

Explanation

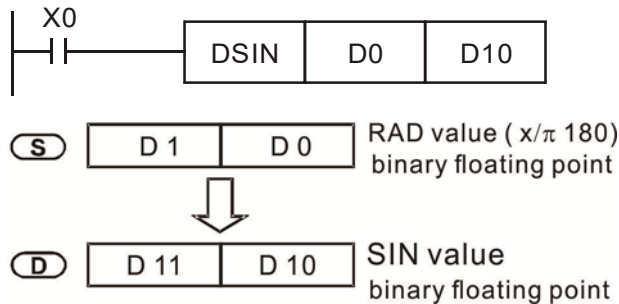
- **S**: the designated source value (diameter). **D**: the SIN value result.
- **S** is the designated source in radians.
- The value in radians (RAD) is equal to (angle × π/180).
- Finds the SIN from the source value designated by **S** and stores the result in **D**.

The following figure displays the relationship between the arc and SIN results:



Example

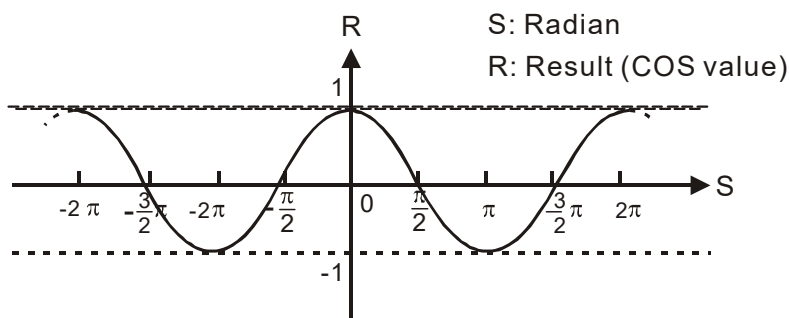
- When X0=ON, finds the SIN value of the designated binary floating point number (D1, D0) in radians (RAD) and stores the result in (D11, D10) as a binary floating point number.



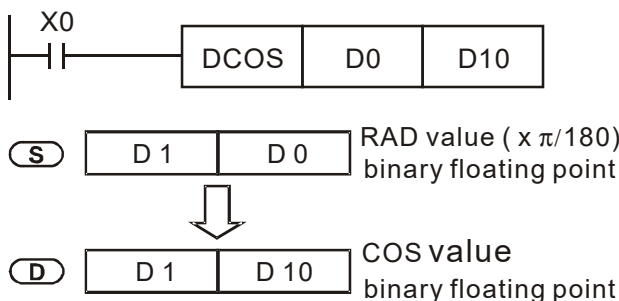
API 131	D	COS	P	(S) (D)	Find the cosine of a binary floating point number									
bit device		Word device								16-bit command				
X	Y	M	K	H	KnX	KnY	KnM	T	C	D	- - - -			
S			*	*						*	32-bit command (9 STEP)			
D										*	DCOS	Continuous execution type	DCOSP	Pulse execution type
Notes on operand usage: Refer to the function specifications table for each device in series for the scope of device usage.											Flag signal: none			

- Explanation**
- **S**: the designated source value (diameter). **D**: the COS value result.
 - Finds the COS of the source value designated by **S** and stores it in **D**.

The following figure displays the relationship between the arc and COS results:



- Example**
- When X0=ON, finds the COS value of the designated binary floating point number (D1, D0) in radians and stores the result in (D11, D10), as a binary floating point number.

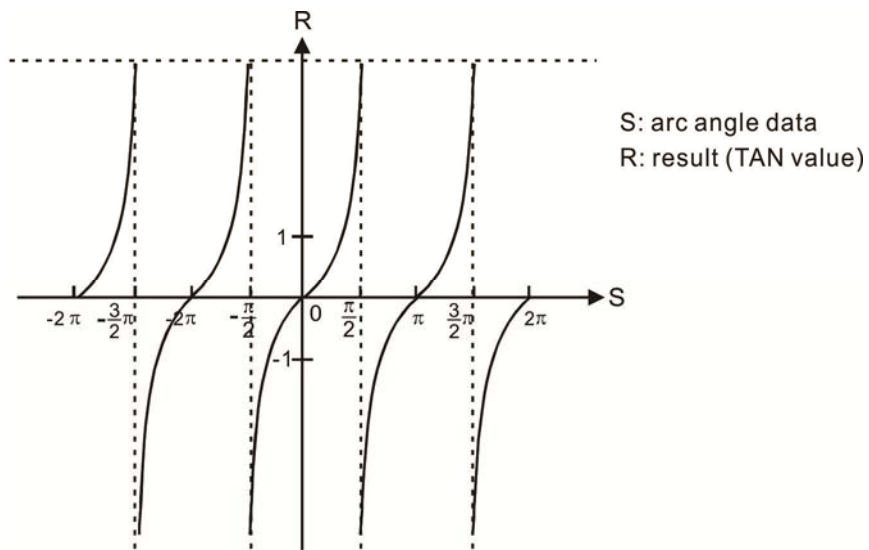


API 132	D	TAN	P	(S) (D)	Find the tangent of a binary floating point number													
bit device		Word device									16-bit command							
X	Y	M	K	H	KnX	KnY	KnM	T	C	D	-		-		-		-	
S			*	*						*	32-bit command (9 STEP)							
D										*	DTAN	Continuous execution type	DTANP	Pulse execution type				
Notes on operand usage: Refer to the function specifications table for each device in series for the scope of device usage.											Flag signal: none							

Explanation

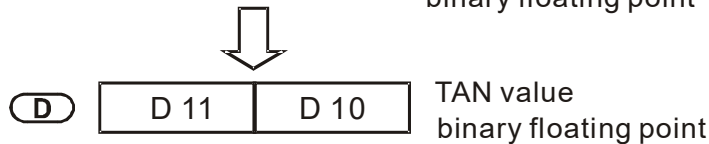
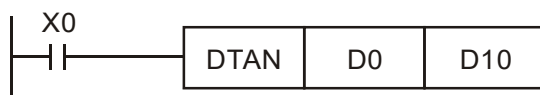
- **S**: the designated source value (diameter). **D**: the TAN value result.
- Finds the TAN of the source value designated by **S** and stores it in **D**.

The following figure displays the relationship between the arc and TAN results:



Example

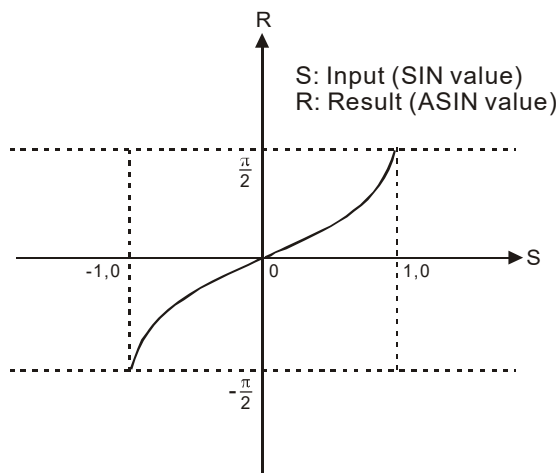
- When X0=ON, finds the TAN value of the designated binary floating point number (D1, D0) in radians (RAD) and stores it in (D11, D10), as a binary floating point number.



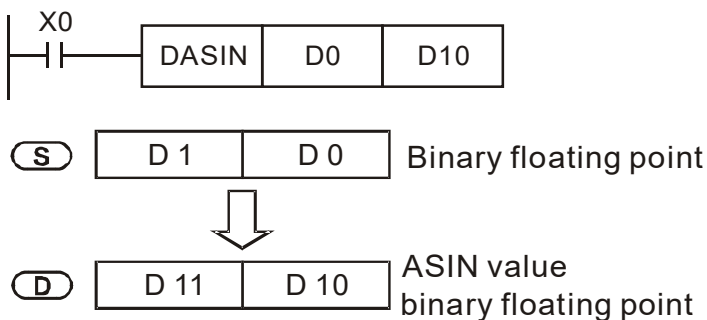
API 133	D	ASIN	P	(S) (D)	Find the arcsine of a binary floating point number														
bit device		Word device										16-bit command							
	X	Y	M	K	H	KnX	KnY	KnM	T	C	D	-							
S				*	*						*	-							
D											*	-							
Notes on operand usage: Refer to the function specifications table for each device in series for the scope of device usage.												32-bit command (9 STEP)							
												DASIN		Continuous execution type		DASINP		Pulse execution type	
Flag signal: none																			

- Explanation
- **S**: the designated source (binary floating point number). **D**: the ASIN value result.
 - ASIN value = \sin^{-1}

The figure below shows the relationship between input data and result:



- Example
- When X0=ON, finds the ASIN value of the designated binary floating point number (D1, D0) and stores the result in (D11, D10), as a binary floating point number.

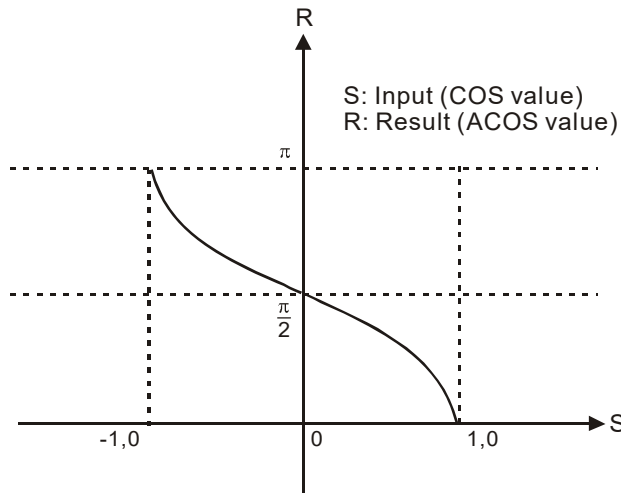


API 134	D	ACOS	P	(S) (D)	Find the arccosine of a binary floating point number														
bit device		Word device										16-bit command							
	X	Y	M	K	H	KnX	KnY	KnM	T	C	D	-							
S				*	*						*	-							
D											*	-							
Notes on operand usage: Refer to the function specifications table for each device in series for the scope of device usage.												32-bit command (9 STEP)							
												DACOS		Continuous execution type		DACOS		Pulse execution type	
												Flag signal: none							

Explanation

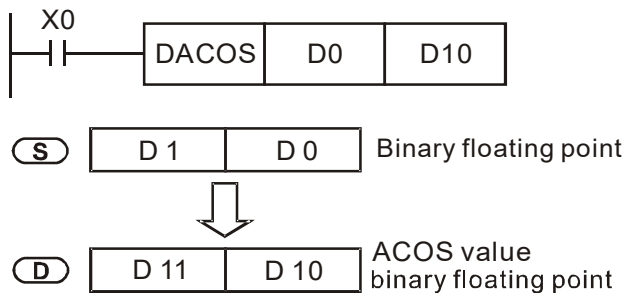
- **S**: the designated source (binary floating point number). **D**: the ACOS value result.
- ACOS value = \cos^{-1}

The figure below shows the relationship between input data and result:



Example

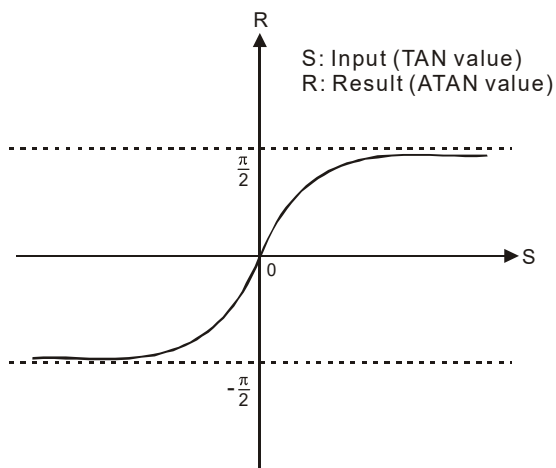
- When X0=ON, finds the ACOS value of the designated binary floating point number (D1, D0) and stores the result in (D11, D10), as a binary floating point number.



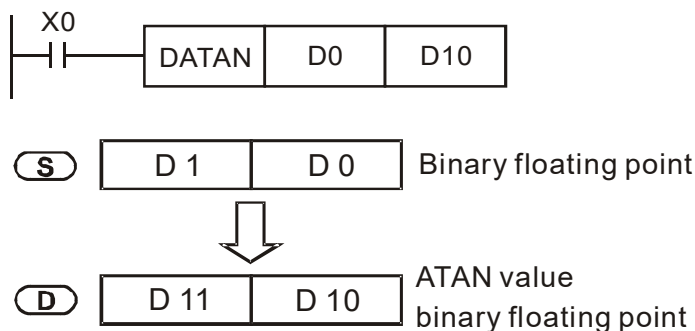
API 135	D	ATAN	P	(S) (D)	Find the arctangent of a binary floating point number										
bit device		Word device										16-bit command			
X	Y	M	K	H	KnX	KnY	KnM	T	C	D	- - - -				
S			*	*						*	32-bit command (9 STEP)				
D										*	DATAN	Continuous execution type	DATANP	Pulse execution type	
Notes on operand usage: Refer to the function specifications table for each device in series for the scope of device usage.											Flag signal: none				

- Explanation
- S: the designated source (binary floating point number). D: the ATAN value result.
 - ATAN value = \tan^{-1}

The figure below shows the relationship between input data and result:



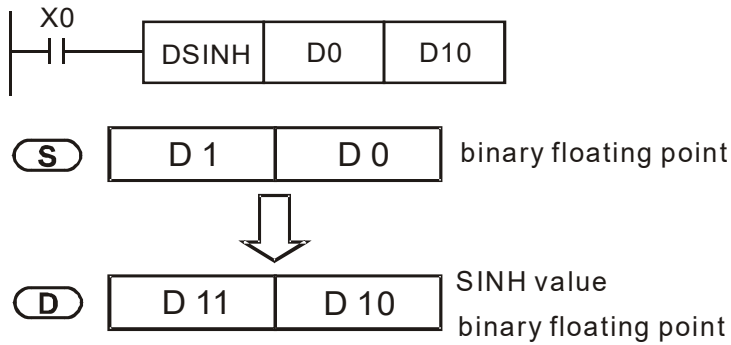
- Example
- When X0=ON, finds the ATAN value of the designated binary floating point number (D1, D0) and stores the result in (D11, D10), as a binary floating point number.



API 136	D	SINH	P	S	D	Find the hyperbolic sine of at binary floating point number									
bit device		Word device										16-bit command			
X	Y	M	K	H	KnX	KnY	KnM	T	C	D	-	-	-	-	
S			*	*						*	32-bit command (9 STEP)				
D										*	DSINH	Continuous execution type	DSINH P	Pulse execution type	
Notes on operand usage: Refer to the function specifications table for each device in series for the scope of device usage.											Flag signal: none				

- Explanation**
- **S**: the designated source (binary floating point number). **D**: the SINH value result.
 - $SINH\ value = (e^s - e^{-s}) / 2$

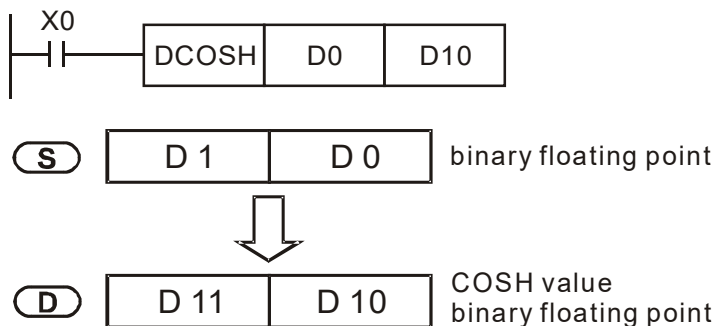
- Example**
- When X0=ON, finds the SINH value of the designated binary floating point number (D1, D0) and stores the result in (D11, D10), as a binary floating point number.



API 137	D	COSH	P	(S)	(D)	Find the hyperbolic cosine of a binary floating point number									
bit device		Word device										16-bit command			
X	Y	M	K	H	KnX	KnY	KnM	T	C	D	-				
S			*	*							*	-			
D											*	-			
Notes on operand usage: Refer to the function specifications table for each device in series for the scope of device usage.											32-bit command (9 STEP)				
											DCOSH	Continuous execution type	DCOSH P	Pulse execution type	
Flag signal: none															

- Explanation
- **S**: the designated source (binary floating point number). **D**: the COSH value result.
 - COSH value $= (e^s + e^{-s}) / 2$

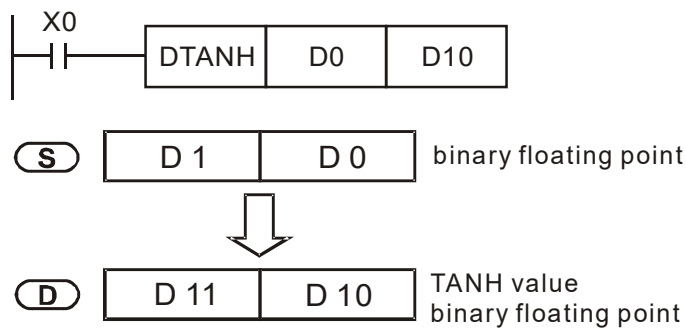
- Example
- When X0=ON, finds the COSH value of the designated binary floating point number (D1, D0) and stores the result in (D11, D10), as a binary floating point number.



API 138	D	TANH	P	(S)	(D)	Finds the hyperbolic tangent of a binary floating point number								
bit device			Word device								16-bit command			
X	Y	M	K	H	KnX	KnY	KnM	T	C	D	-			
S			*	*						*	-			
D										*	-			
Notes on operand usage: Refer to the function specifications table for each device in series for the scope of device usage.											DTANH	Continuous execution type	DTANHP	Pulse execution type
											Flag signal: none			

- Explanation
- **S**: the designated source (binary floating point number). **D**: the TANH value result.
 - $TANH\ value = \frac{e^s - e^{-s}}{e^s + e^{-s}}$

- Example
- When X0=ON, finds the TANH value of the designated binary floating point number (D1, D0) and stores the result in (D11, D10), as a binary floating point number.



API 150	MODRW	P	S₁	S₂	S₃	S	n	Modbus data read/write						
bit device			Word device								16-bit command (5 STEP)			
	X	Y	M	K	H	KnX	KnY	KnM	T	C	D	MODRW: Continuous execution type	MODRW: Pulse execution type	P
S1				*	*						*	32-bit command		
S2				*	*						*	-		
S3				*	*						*	-		
S											*	-		
n				*	*						*	Flag signal: M1077 M1078 M1079		

Explanation

- **S₁**: online device address. **S₂**: communication function code. **S₃**: address of data to read/write. **S**: register for data to be read/written is stored. **n**: length of data to be read/written.
- Before using this command, define COM1 to be controlled by the PLC and then set the corresponding communication speed and format (Pr.09-01 and Pr.09-04). **S₂**: communication function code. Currently supported function codes are describes as follows; other function codes are not supported.

Function	Description
H 02	Input read
H 03	Read word
H 06	Write single word
H 0F	Write multiple coils
H 10	Write single word

- After executing this command, M1077, M1078 and M1079 immediately changes to 0.
- For example, assume that MS300 controls another drive and PLC when the drive has a station number of 10 and the PLC has a station number of 20. Refer to the following table for the examples.

The drive that controls the salve

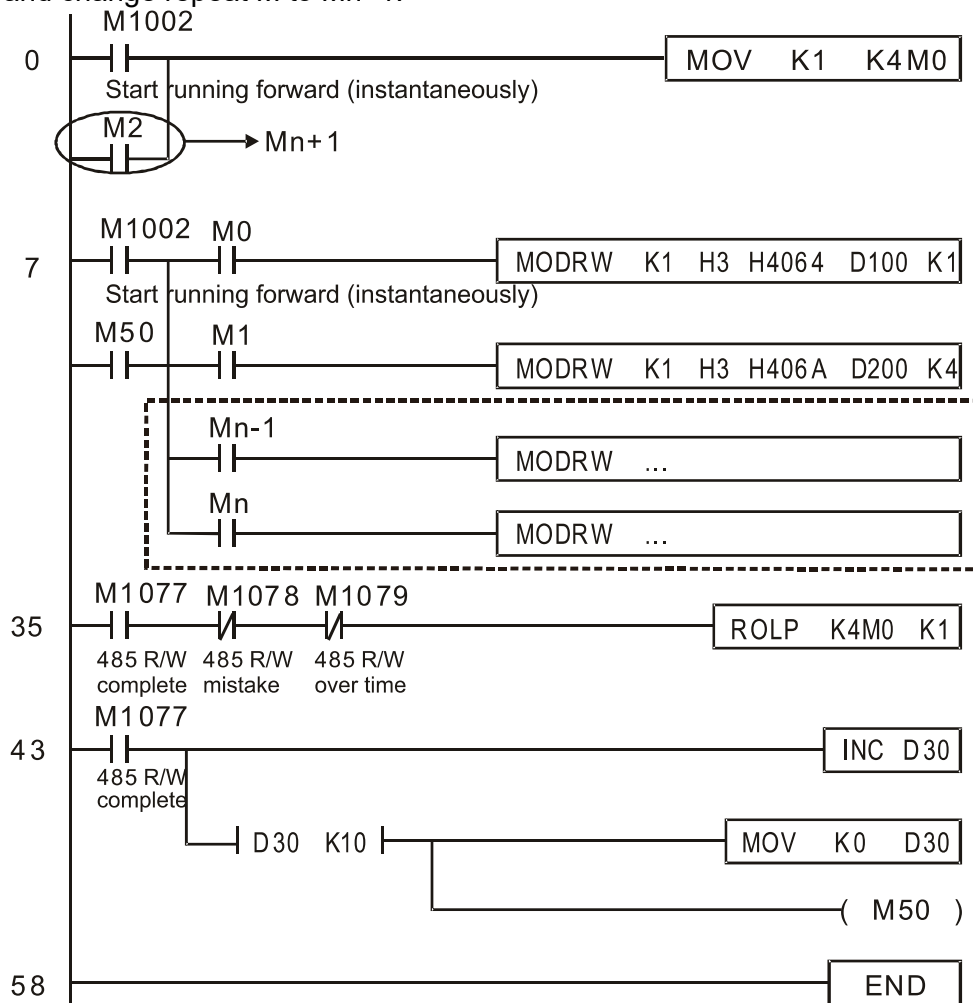
Serial No.	Example	MODRW command				
		S ₁	S ₂	S ₃	S ₄	n
		Node ID	Function code	Address	Register	Length
1	Reads 4 sets of data comprising the drive slave device parameters Pr.01-00 to Pr.01-03, and saves the read data in D0 to D3.	K10	H3	H100	D0	K4
2	Reads 3 sets of data comprising the drive slave device addresses H2100 to H2102, and saves the read data in D5 to D7.	K10	H3	H2100	D5	K3
3	Writes 3 sets of data comprising the drive slave device parameters Pr.05-00 to Pr.05-03, and writes the values as D10 to D12.	K10	H10	H500	D10	K3
4	Writes 2 sets of data comprising the drive slave device addresses H2000 to H2001, and writes the values as D15 to D16.	K10	H10	H2000	D15	K2

PLC controlling slave device

Serial No.	Example	MODRW command				
		S ₁	S ₂	S ₃	S ₄	n
		Node ID	Function code	Addresses	Register	Length:
1	Reads 4 sets of data comprising the PLC slave device's X0 to X3 state, and saves the read data in bits 0 to 3 of D0.	K20	H2	H400	D0	K4
2	Reads 4 sets of data comprising the PLC slave device's Y0 to Y3 state, and saves the read data in bits 0 to 3 of D1.	K20	H2	H500	D1	K4
3	Reads 4 sets of data comprising the PLC slave device's M0 to M3 state, and saves the read data in bits 0 to 3 of D2.	K20	H2	H800	D2	K4
4	Reads 4 sets of data comprising the PLC slave device's T0 to T3 state, and saves the read data in bits 0 to 3 of D3.	K20	H2	H600	D3	K4
5	Reads 4 sets of data comprising the PLC slave device's C0 to C3 state, and saves the read data in bits 0 to 3 of D4.	K20	H2	HE00	D4	K4
6	Reads 4 sets of data comprising the PLC slave device's T0 to T3 count value, and saves the read data in D10 to D13.	K20	H3	H600	D10	K4
7	Reads 4 sets of data comprising the PLC slave device's C0 to C3 count value, and saves the read data in D20 to D23.	K20	H3	HE00	D20	K4
8	Reads 4 sets of data comprising the PLC slave device's D0 to D3 count value, and saves the read data in D30 to D33.	K20	H3	H1000	D30	K4
9	Writes 4 sets of the PLC slave device's Y0 to Y3 state, and writes the values as bits 0 to 3 of D1.	K20	HF	H500	D1	K4
10	Writes 4 sets of the PLC slave device's M0 to M3 state, and writes the values as bits 0 to 3 of D2.	K20	HF	H800	D2	K4
11	Writes 4 sets of the PLC slave device's T0 to T3 state, and writes the values as bits 0 to 3 of D3.	K20	HF	H600	D3	K4
12	Writes 4 sets of the PLC slave device's C0 to C3 state, and writes the values as bits 0 to 3 of D4.	K20	HF	HE00	D4	K4
13	Writes 4 sets of the PLC slave device's T0 to T3 count value, and writes the values in D10 to D13.	K20	H10	H600	D10	K4
14	Writes 4 sets of the PLC slave device's C0 to C3 count value, and writes the values in D20 to D23.	K20	H10	HE00	D20	K4
15	Writes 4 sets of the PLC slave device's D0 to D3 count value, and writes the values in D30 to D33.	K20	H10	H1000	D30	K4

Example

- When starting the PLC program for the first time, M0 is triggered to ON and executes one MODRW command.
- After receiving the slave device's response, if the command is correct, it executes one ROL command, which triggers M1 to ON.
- After receiving the slave device's response and after a delay of 10 PLC scanning cycles, M50 =1 is triggered, and it executes one MODRW command.
- After receiving the slave device's response again, if the command is correct, it executes one ROL command, which triggers M2 to ON (M2 can be defined as a repeat of M). Then, K4M0 changes to K1 again, and only M0 remains 1. This enables the transmission to proceed in a continuous cycle. If you need to add a sending command, just add the desired command in the frame with a dotted line, and change repeat M to Mn+1.



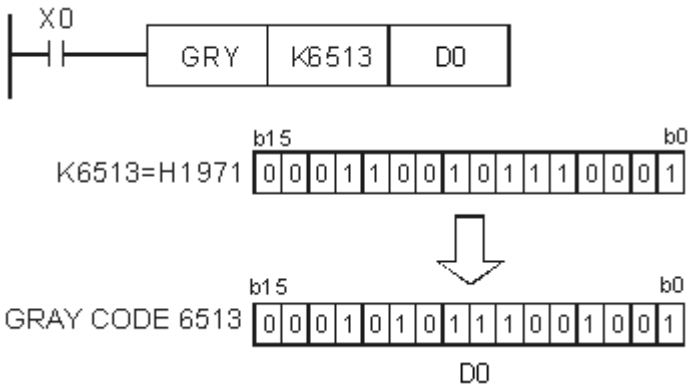
API 170	D	GRY	P	S D								Convert BIN to GRAY code			
bit device			Word device									16-bit command (5 STEP)			
X	Y	M	K	H	KnX	KnY	KnM	T	C	D	GRY	Continuous execution type	GRYP	Pulse execution type	
S			*	*	*	*	*	*	*	*					
D						*	*	*	*	*					
Notes on operand usage: Refer to the function specifications table for each device in series for the scope of device usage.											32-bit command (9 STEP)				
											DGRY	Continuous execution type	DGRYP	Pulse execution type	
Flag signal: none															

- Explanation**
- **S:** source device. **D:** device storing GRAY code.
 - Converts the BIN value of the device designated by **S** to a GRAY code, and stores the result in the device designated by **D**.
 - The valid range for **S** is as shown below; if you exceed this range, it is an error, and the command does not execute.

16-bit command: 0–32,767

32-bit command: 0–2,147,483,647

- Example**
- When X0=ON, converts the constant K6513 to a GRAY code and stores it in D0.



API 171	D	GBIN	P	(S) (D)	Convert GRAY code to BIN										
	bit device			Word device							16-bit command (5 STEP)				
	X	Y	M	K	H	KnX	KnY	KnM	T	C	D	GBIN	Continuous execution type	GBINP	Pulse execution type
S				*	*	*	*	*	*	*	*				
D							*	*	*	*	*				
Notes on operand usage: Refer to the function specifications table for each device in series for the scope of device usage.												32-bit command (9 STEP)			
												DGBIN	Continuous execution type	DGBINP	Pulse execution type
												Flag signal: none			

Explanation

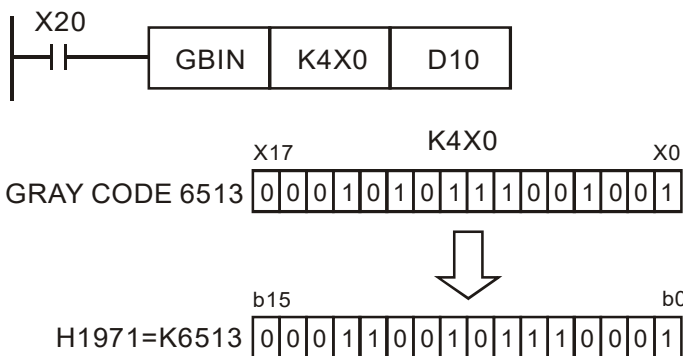
- **S**: source device storing GRAY code. **D**: device storing BIN value after conversion.
- Converts the GRAY code corresponding to the value of the device designated by **S** that is converted into a BIN value, and stores it in the device designated by **D**.
- This command converts the value of the absolute position encoder connected with the PLC's input (this encoder usually has an output value in the form of GRAY code) into a BIN value, and stores it in the designated register.
- The valid range of **S** is as shown below; if you exceed this range, it is an error, and the command does not execute.

16-bit command: 0–32,767

32-bit command: 0–2,147,483,647

Example

- When X20=ON, converts the GRAY code of the absolute position encoder connected with input points X0–X17 to a BIN value and stores it in D10.



API 215– 217	D	LD#	(S1) (S2)	Contact form logical operation LD#										
bit device			Word device								16-bit command (5 STEP)			
X	Y	M	K	H	KnX	KnY	KnM	T	C	D	LD#	Continuous execution type	–	–
S1			*	*	*	*	*	*	*	*				
S2			*	*	*	*	*	*	*	*				
Notes on operand usage: #, :, &, , ^											32-bit command (9 STEP)			
Refer to the function specifications table for each device in series for the range of device usage.											DLD#	Continuous execution type	–	–
Flag signal: none														

- Explanation**
- **S₁**: data source device 1. **S₂**: data source device 2.
 - This command compares the contents of **S₁** and **S₂**. When the result of comparison is not 0, this command activates; when the result of comparison is 0, this command does not activate.
 - You can use the LD# command directly to connect with the busbar

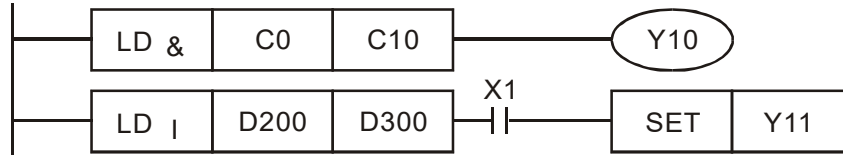
API No.	16-bit commands	32-bit commands	Conditions for activation				Conditions for inactivation			
215	LD&	DLD&	S₁	&	S₂	≠ 0	S₁	&	S₂	= 0
216	LD	DLD	S₁		S₂	≠ 0	S₁		S₂	= 0
217	LD^	DLD^	S₁	^	S₂	≠ 0	S₁	^	S₂	= 0

&: logical AND operation.

|: logical OR operation.

^: logical XOR operation.

- Example**
- When you compare the contents of C0 and C10 with the logical AND operation, and the result is not equal to 0, then Y10=ON.
 - When you compare the content of D200 and D300 with the logical OR operation, and the result is not equal to 0, and X1=ON, then Y11=ON and remains in that state.



API 218– 220	D	AND#	(S1) (S2)	Contact form logical operation AND#											
bit device		Word device										16-bit command (5 STEP)			
	X	Y	M	K	H	KnX	KnY	KnM	T	C	D	AND#	Continuous execution type	–	–
S1				*	*	*	*	*	*	*	*				
S2				*	*	*	*	*	*	*	*				
Notes on operand usage: #, :, &, , ^												32-bit command (9 STEP)			
Refer to the function specifications table for each device in series for the scope of device usage.												DAND#	Continuous execution type	–	–
Flag signal: none															

Explanation

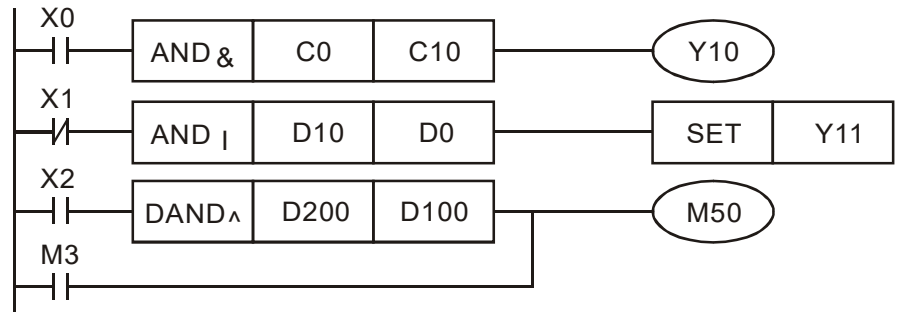
- **S₁**: data source device 1. **S₂**: data source device 2.
- This command compares the contents of **S₁** and **S₂**. When the result of comparison is not 0, this command activates; when the result of comparison is 0, this command does not activate.
- The AND# command is an operation command in series with the contact.

API No.	16-bit commands	32-bit commands	Conditions for activation			Conditions for inactivation		
218	AND&	DAND&	S₁	&	S₂ ≠ 0	S₁	&	S₂ = 0
219	AND	DAND	S₁		S₂ ≠ 0	S₁		S₂ = 0
220	AND^	DAND^	S₁	^	S₂ ≠ 0	S₁	^	S₂ = 0

&: logical AND operation.
 |: logical OR operation.
 ^: logical XOR operation.

Example

- When X0=ON and you compare the contents of C0 and C10 with the logical AND operation, and the result is not equal to 0, then Y10=ON.
- When X1=OFF and you compare the contents D10 and D0 with the logical OR operation, and the result is not equal to 0, then Y11=ON and remains in that state.
- When X2 =ON and you compare the contents of the 32-bit register D200 (D201) and the 32-bit register D100 (D101) with the logical XOR operation, and the result is not equal to 0 or M3=ON, then M50=ON.



API 221– 223	D	OR#	(S1)	(S2)	Contact form logical operation OR#									
bit device			Word device								16-bit command (5 STEP)			
X	Y	M	K	H	KnX	KnY	KnM	T	C	D	OR#	Continuous execution type	–	–
S1			*	*	*	*	*	*	*	*				
S2			*	*	*	*	*	*	*	*				
Notes on operand usage: #, :, &, , ^											32-bit command (9 STEP)			
Refer to the function specifications table for each device in series for the scope of device usage.											DOR#	Continuous execution type	–	–
Flag signal: none														

- Explanation**
- **S₁**: data source device 1. **S₂**: data source device 2.
 - This command compares the contents of **S₁** and **S₂**. When the result of comparison is not 0, this command activates; when the result of comparison is 0, this command does not activate.

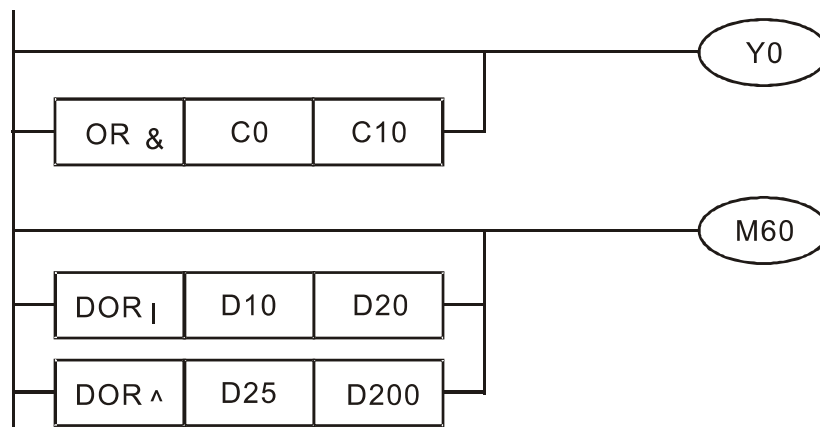
API No.	16-bit commands	32-bit commands	Conditions for activation				Conditions for inactivation			
221	OR&	DOR&	S₁	&	S₂	≠ 0	S₁	&	S₂	= 0
222	OR	DOR	S₁		S₂	≠ 0	S₁		S₂	= 0
223	OR^	DOR^	S₁	^	S₂	≠ 0	S₁	^	S₂	= 0

&: logical AND operation.

|: logical OR operation.

^: logical XOR operation.

- Example**
- Compare the contents of C0 and C10 with the logical AND operation, and the result is not equal to 0, then Y0=ON.
 - Compare the contents of the 32-bit register D10 (D11) and the 32-bit register D20 (D21) with the logical OR operation, and the result is not equal to 0, or you compare the contents of the 32-bit counter C235 and the 32-bit register D200 (D201) with the logical XOR operation, and the result is not equal to 0, then M60=ON.



API 224– 230	D	LD※	(S1) (S2)	Contact form compare LD*											
bit device		Word device										16-bit command (5 STEP)			
	X	Y	M	K	H	KnX	KnY	KnM	T	C	D	LD※	Continuous execution type	–	–
S1				*	*	*	*	*	*	*	*				
S2				*	*	*	*	*	*	*	*				
Notes on operand usage: ※, :, =, >, <, <>, ≤, ≥ Refer to the function specifications table for each device in series for the scope of device usage.												32-bit command (9 STEP)			
												DLD※	Continuous execution type	–	–
Flag signal: none															

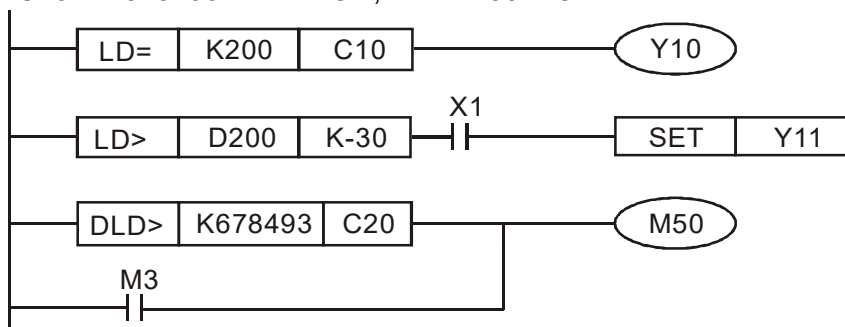
Explanation

- **S₁**: data source device 1. **S₂**: data source device 2.
- This command compares the contents of **S₁** and **S₂**. Taking API 224 (LD=) as an example, this command activates when the result of comparison is "equal," and does not activate when the result is "unequal."
- You can use the LD* directly to connect with the busbar

API No.	16-bit commands	32-bit commands	Conditions for activation	Conditions for inactivation
224	LD =	DLD =	S₁ = S₂	S₁ ≠ S₂
225	LD >	DLD >	S₁ > S₂	S₁ ≤ S₂
226	LD <	DLD <	S₁ < S₂	S₁ ≥ S₂
228	LD <>	DLD <>	S₁ ≠ S₂	S₁ = S₂
229	LD ≤	DLD ≤	S₁ ≤ S₂	S₁ > S₂
230	LD ≥	DLD ≥	S₁ ≥ S₂	S₁ < S₂

Example

- When the content of C10 is equal to K200, then Y10=ON.
- When the content of D200 is greater than K-30, and X1=ON, then Y11=ON and remains in that state.
- When C20 < K678493 or M1 = ON, then M150 = ON.

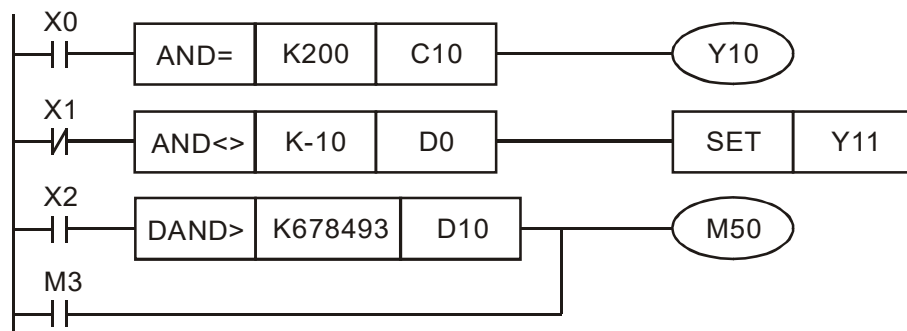


API 232– 238	D	AND※	(S1) (S2)	Contact form compare AND*										
bit device			Word device								16-bit command (5 STEP)			
X	Y	M	K	H	KnX	KnY	KnM	T	C	D	AND※	Continuous execution type	–	–
S1			*	*	*	*	*	*	*	*				
S2			*	*	*	*	*	*	*	*				
Notes on operand usage: ※, :, =, >, <, <>, ≤, ≥ Refer to the function specifications table for each device in series for the scope of device usage.											32-bit command (9 STEP)			
											DAND※	Continuous execution type	–	–
											Flag signal: none			

- Explanation**
- **S₁**: data source device 1. **S₂**: data source device 2.
 - This command compares the contents of **S₁** and **S₂**. Taking API 232 (AND=) as an example, when the result of comparison is “equal”, this command activates; when the result of comparison is “unequal”, this command does not activate.
 - The AND* command is a comparison command in series with a contact.

API No.	16-bit commands	32-bit commands	Conditions for activation	Conditions for inactivation
232	AND =	DAND =	S₁ = S₂	S₁ ≠ S₂
233	AND >	DAND >	S₁ > S₂	S₁ ≤ S₂
234	AND <	DAND <	S₁ < S₂	S₁ ≥ S₂
236	AND <>	DAND <>	S₁ ≠ S₂	S₁ = S₂
237	AND ≤	DAND ≤	S₁ ≤ S₂	S₁ > S₂
238	AND ≥	DAND ≥	S₁ ≥ S₂	S₁ < S₂

- Example**
- When X0=ON and the current value of C10 is also equal to K200, then Y10=ON.
 - When X1=OFF and the content of register D0 is not equal to K-10, then Y11=ON and remains in that state.
 - When X2=ON and the content of the 32-bit register D0 (D11) is less than 678,493, or M3=ON, then M50=ON.



API 240– 246	D	OR※	(S1)	(S2)	Contact form compare OR*									
bit device			Word device								16-bit command (5 STEP)			
X	Y	M	K	H	KnX	KnY	KnM	T	C	D	OR※	Continuous execution type	–	–
S1			*	*	*	*	*	*	*	*				
S2			*	*	*	*	*	*	*	*				
Notes on operand usage: ※, :, =, >, <, <>, ≤, ≥ Refer to the function specifications table for each device in series for the scope of device usage.											32-bit command (9 STEP)			
											DOR※	Continuous execution type	–	–
Flag signal: none														

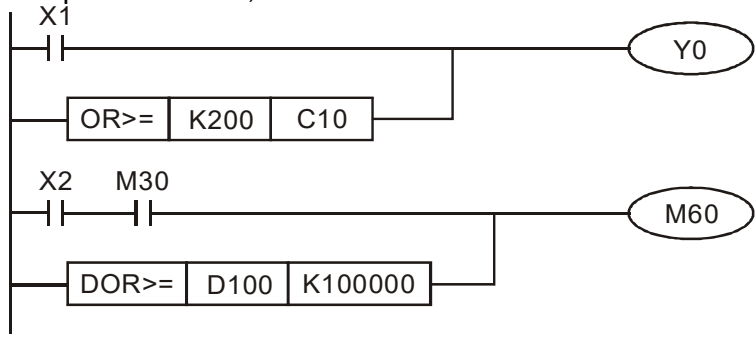
Explanation

- **S₁**: data source device 1. **S₂**: data source device 2.
- This command compares the contents of **S₁** and **S₂**. Taking API 240 (OR=) as an example, when the result of comparison is “equal”, this command activates; when the result of comparison is “unequal”, this command does not activate.
- The OR* command is a comparison command in parallel with a contact.

API No.	16-bit commands	32-bit commands	Conditions for activation	Conditions for inactivation
240	OR =	DOR =	S₁ = S₂	S₁ ≠ S₂
241	OR >	DOR >	S₁ > S₂	S₁ ≤ S₂
242	OR <	DOR <	S₁ < S₂	S₁ ≥ S₂
244	OR <>	DOR <>	S₁ ≠ S₂	S₁ = S₂
245	OR ≤	DOR ≤	S₁ ≤ S₂	S₁ > S₂
246	OR ≥	DOR ≥	S₁ ≥ S₂	S₁ < S₂

Example

- When X1=ON, or the current value of C10 is less than / equal to 200, then Y0=ON.
- When X2=ON and M30=ON, or the content of the 32-bit register D100 (D101) is more than / equal to 100000, then M60=ON.

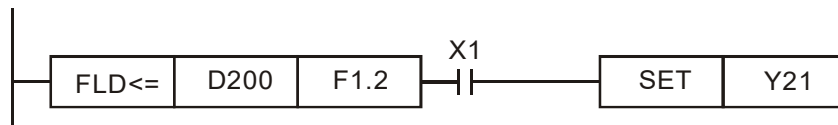


API 275– 280	FLD*			(S1) (S2)								Floating point number contact form compare LD*		
bit device			Word device									16-bit command		
X	Y	M	K	H	KnX	KnY	KnM	T	C	D	— — —			
S1								*	*	*	32-bit command (9 STEP)			
S2								*	*	*	FLD* Continuous execution type — —			
Notes on operand usage: ※, :, =, >, <, <>, ≤, ≥ Refer to the function specifications table for each device in series for the scope of device usage.											Flag signal: none			

- Explanation**
- **S₁**: data source device 1. **S₂**: data source device 2.
 - This command compares the contents of **S₁** and **S₂**. Taking "FLD=" as an example, if the result of comparison is "equal", this command activates; but it does not activate when the result is "unequal".
 - The FLD* command can directly input floating point numbers (for instance: F1.2) to the **S₁**, **S₂** operands, or store floating point numbers in register D for use in operations.
 - You can use this command while directly to connect with the busbar

API No.	32-bit commands	Conditions for activation	Conditions for inactivation
275	FLD =	S₁ = S₂	S₁ ≠ S₂
276	FLD >	S₁ > S₂	S₁ ≤ S₂
277	FLD <	S₁ < S₂	S₁ ≥ S₂
278	FLD < >	S₁ ≠ S₂	S₁ = S₂
279	FLD ≤	S₁ ≤ S₂	S₁ > S₂
280	FLD ≥	S₁ ≥ S₂	S₁ < S₂

- Example**
- When the floating point number in register D200 (D201) is less than or equal to F1.2, and X1 is activated, then contact Y21 activates and remains in that state.



API 281– 286	FAND※		(S1) (S2)		Floating point number contact form compare AND*								
bit device			Word device									:16-bit command	
X	Y	M	K	H	KnX	KnY	KnM	T	C	D	— — —		
S1								*	*	*	:32-bit command (9 STEP)		
S2								*	*	*	FAND※: Continuous execution type — —		
Notes on operand usage: ※, :, =, >, <, <>, ≤, ≥ Refer to the function specifications table for each device in series for the scope of device usage.											Flag signal: none		

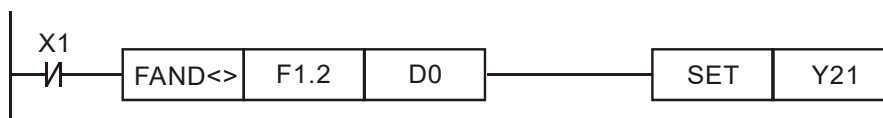
Explanation

- **S₁**: data source device 1. **S₂**: data source device 2.
- This command compares the contents of **S₁** and **S₂**. Taking "FAND=" as an example, if the result of comparison is "equal", this command activates; but it does not activate when the result is "unequal".
- The FAND* command can directly input floating point numbers (for instance: F1.2) to the **S₁** and **S₂** operands, or store the floating point numbers in register D for use in operations.
- You can use this command directly to connect with the busbar.

API No.	32-bit commands	Conditions for activation	Conditions for inactivation
281	FAND =	S₁ = S₂	S₁ ≠ S₂
282	FAND >	S₁ > S₂	S₁ ≤ S₂
283	FAND <	S₁ < S₂	S₁ ≥ S₂
284	FAND < >	S₁ ≠ S₂	S₁ = S₂
285	FAND ≤ =	S₁ ≤ S₂	S₁ > S₂
286	FAND ≥ =	S₁ ≥ S₂	S₁ < S₂

Example

- When X1=OFF, and the floating point number in register D100 (D101) is not equal to F1.2, then Y21=ON and remains in that state.

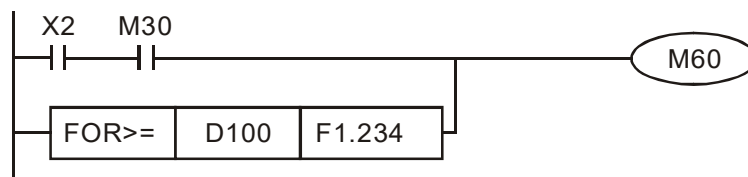


API 287– 292	FOR※			(S1) (S2)			Floating point number contact form compare OR*							
bit device			Word device									16-bit command		
X	Y	M	K	H	KnX	KnY	KnM	T	C	D	— — —			
S1								*	*	*	32-bit command (9 STEP)			
S2								*	*	*	FOR※ Continuous execution type — —			
Notes on operand usage: ※, : , =, >, <, <>, ≤, ≥ Refer to the function specifications table for each device in series for the scope of device usage.											Flag signal: none			

- Explanation**
- **S₁**: data source device 1. **S₂**: data source device 2.
 - This command compares the contents of **S₁** and **S₂**. Taking "FOR=" as an example, if the result of comparison is "equal", this command activates; but it does not activate when the result is "unequal".
 - The FOR* command can directly input floating point numbers (for instance: F1.2) to the **S₁**, **S₂** operands, or store floating point numbers in register D for use in operations.
 - You can use this command directly to connect with the busbar.

API No.	32-bit commands	Conditions for activation	Conditions for inactivation
287	FOR =	S₁ = S₂	S₁ ≠ S₂
288	FOR >	S₁ > S₂	S₁ ≤ S₂
289	FOR <	S₁ < S₂	S₁ ≥ S₂
290	FOR <>	S₁ ≠ S₂	S₁ = S₂
291	FOR ≤	S₁ ≤ S₂	S₁ > S₂
292	FOR ≥	S₁ ≥ S₂	S₁ < S₂

- Example**
- When X2 and M30 are both equal to ON, or the floating point number in register D100 (D101) is greater than or equal to F1.234, then M60=ON.



16-6-5 Detailed explanation of drive special application commands

API 139		RPR	P	(S1)	(S2)	Read servo parameter									
	bit device			Word device								16-bit command (5 STEP)			
	X	Y	M	K	H	KnX	KnY	KnM	T	C	D	RPR	Continuous execution type	RPRP	Pulse execution type
S1				*	*						*				
S2											*				
Notes on operand usage: none												32-bit command			
												Flag signal: none			

Explanation

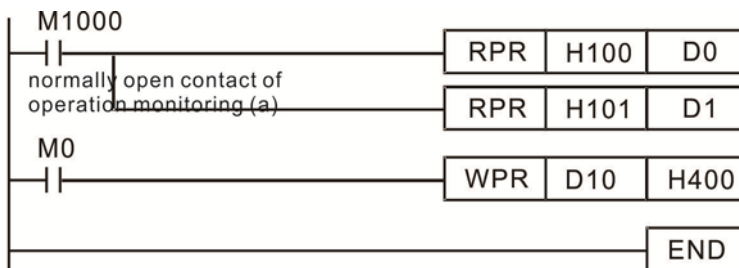
- **S1**: Parameter address of data to be read. **S2**: Register where data that is read is stored.

API 140		WPR	P	(S1)	(S2)	Write servo parameter									
	bit device			Word device								16-bit command (5 STEP)			
	X	Y	M	K	H	KnX	KnY	KnM	T	C	D	WPR	Continuous execution type	WPRP	Pulse execution type
S1				*	*						*				
S2				*	*						*				
Notes on operand usage: none												32-bit command			
												Flag signal: M1016 parameter read/write error, M1017 parameter written successfully.			

Explanation

Example

- **S1**: Data to write to specified page. **S2**: Parameter address of data to be written.
- When the data in the MS300 drive's parameter H01.00 is read and written to D0, data from H01.01 is read and written to D1.
- When M0=ON, the content of D10 is written to the MS300 drive Pr.04.00 (first speed of multiple speed levels).
- When M1017=ON, the parameter has been written successfully.
- The MS300's WPR command does not support writing to the 20XX address, but the RPR command supports reading of 21XX, 22XX, 61XX.



Recommendation: Be cautious when using the WPR command. When writing parameters, most parameters are recorded when they are written, and these parameters may only be revised 10^6 times: a memory write error may occur if parameters are written more than (MS) 10^6 or (MH) 10^9 times.

The following commonly-used parameters have special treatment, so there are no limits for the number of times that they can be written.

- Pr.00-10: Control method
- Pr.00-11: Speed mode selection
- Pr.00-27: User-defined value
- Pr.01-12: Acceleration time 1
- Pr.01-13: Deceleration time 1
- Pr.01-14: Acceleration time 2
- Pr.01-15: Deceleration time 2
- Pr.01-16: Acceleration time 3
- Pr.01-17: Deceleration time 3
- Pr.01-18: Acceleration time 4
- Pr.01-19: Deceleration time 4
- Pr.02-12: Select MI Conversion Time mode
- Pr.02-18: Select MO Conversion Time mode
- Pr.04-50–Pr.04-69: PLC register parameter 0–19
- Pr.08-04: Upper limit of integral control
- Pr.08-05: PID output upper limit
- Pr.10-17: Electronic gear A
- Pr.10-18: Electronic gear B
- Pr.11-34: Torque command

The number of times a parameter is written is based on whether the written value is modified. For instance, writing the same value 100 times at the same time counts as writing only once. When writing a PLC program, if you are not sure the usage of the WPR command, it is recommended that you use the WPRP command.

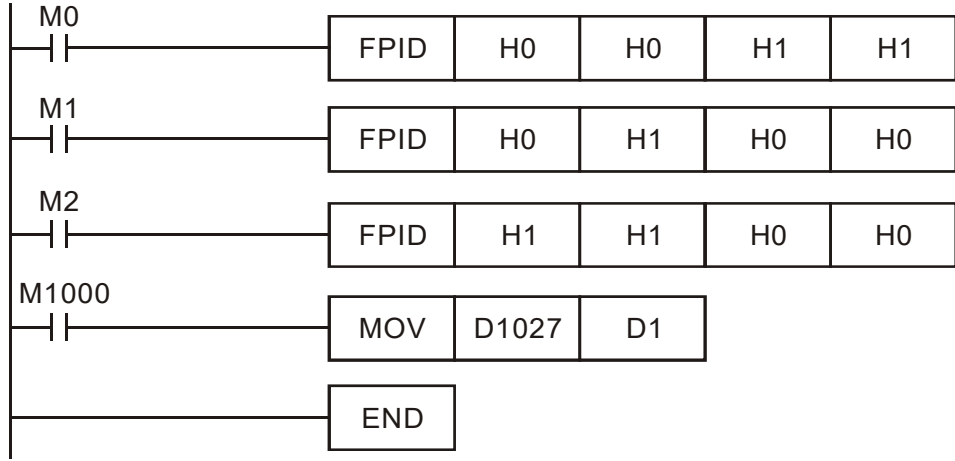
API 141	FPID		P	(S1) (S2) (S3) (S4)	Drive PID control mode										
	bit device			Word device								16-bit command (9 STEP)			
	X	Y	M	K	H	KnX	KnY	KnM	T	C	D	FPID	Continuous execution type	FPIDP	Pulse execution type
S1				*	*						*				
S2				*	*						*	32-bit command			
S3				*	*						*				
S4				*	*						*				
Notes on operand usage: none												Flag signal: none			

Explanation

- **S1**: PID reference target value input terminal selection. **S2**: PID function proportional gain P. **S3**: PID function integral time I. **S4**: PID function differential time D.
- The FPID command can directly control the drive's PID feedback control Pr.08-00 Terminal Selection of PID Feedback, Pr.08-01 Proportional Gain (P), Pr.08-02 Integral Time (I), and Pr.08-03 Differential Time (D).

Example

- When M0=ON, the set PID reference target value input terminal selection is 0 (no PID function), the PID function proportional gain P is 0, the PID function integral time I is 1 (units: 0.01 sec.), and the PID function differential time D is 1 (units: 0.01 sec.).
- When M1=ON, the set PID reference target value input terminal selection is 0 (no PID function), the PID function proportional gain P is 1 (units: 0.01), the PID function integral time I is 0, and the PID function differential time D is 0.
- When M2=ON, the set PID reference target value input terminal selection is 1 (target frequency input is controlled through the digital keypad), the PID function proportional gain P is 1 (units: 0.01), the PID function integral time I is 0, and the PID function differential time D is 0.
- D1027: Frequency command after PID operation.



API 142	FREQ		P	(S1) (S2) (S3)	Drive speed control mode									
bit device			Word device								16-bit command (7 STEP)			
X	Y	M	K	H	KnX	KnY	KnM	T	C	D	FREQ	Continuous execution type	FREQP	Pulse execution type
S1			*	*						*	32-bit command			
S2			*	*						*				
S3			*	*						*				
Notes on operand usage: none											Flag signal: M1015			

- Explanation**
- **S₁**: Frequency command. **S₂**: Acceleration time. **S₃**: Deceleration time
 - **S₂,S₃**: In the acceleration and deceleration time settings, the number of decimal places is determined by the definition in Pr.01-45.

Example

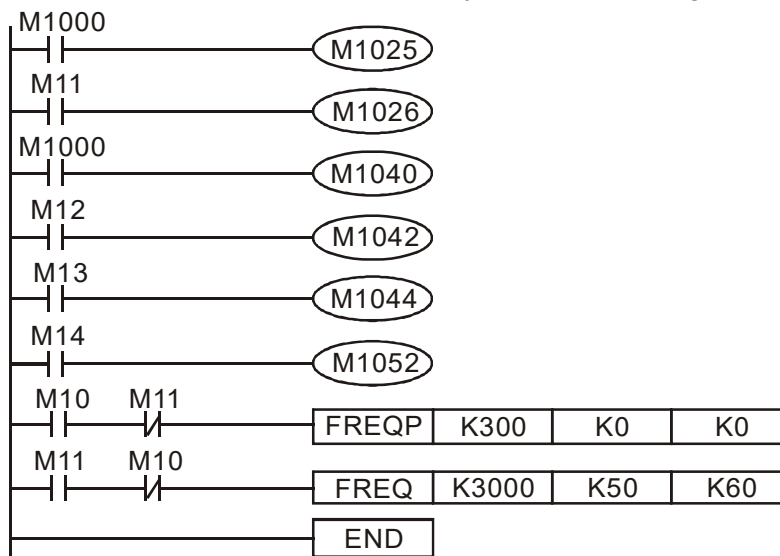
When Pr.01-45=0: units of 0.01 sec.

A setting of **S₂**=50 (acceleration time) in the ladder diagram below implies 0.5 sec., and the **S₃** (deceleration time) setting of 60 implies 0.6 sec..

- The FREQ command can control drive Frequency commands, and acceleration and deceleration time. It also uses special register control actions, such as:
 M1025: Control drive RUN(ON)/STOP(OFF) (RUN requires Servo On (M1040 ON) to be effective)
 M1026: Control drive operating direction FWD(OFF)/REV(ON)
 M1040: Control Servo On/Servo Off.
 M1042: Trigger Quick Stop (ON)/does not trigger Quick Stop (OFF).
 M1044: Pause (ON)/release pause (OFF)
 M1052: Lock frequency (ON)/release lock frequency (OFF)

Example

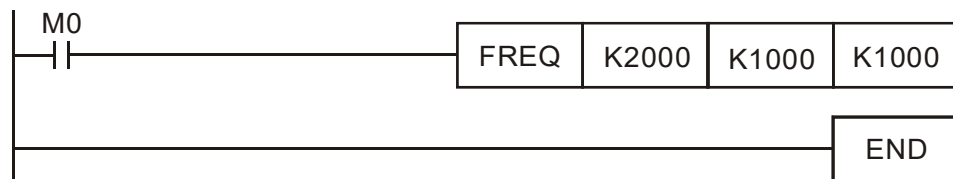
- M1025: Drive RUN (ON)/STOP (OFF), M1026: drive operating direction FWD(OFF)/REV(ON). M1015: frequency reached.
- When M10=ON, sets the drive frequency command K300 (3.00 Hz) with an acceleration and deceleration time of 0.
 When M11=ON, sets the drive frequency command K3000 (30.00 Hz), with an acceleration time of 50 (0.5 sec.) and deceleration time of 60 (0.6 sec.) (when Pr.01-45=0).
- When M11=OFF, the drive frequency command changes to 30 Hz.



- Pr.09-33 are defined on the basis of whether reference commands have been cleared before the PLC operation

- bit 0 : Prior to PLC scanning procedures, acts on whether the target frequency has been cleared to 0. This is written to the FREQ command when the PLC is ON.
- bit 1 : Prior to PLC scanning procedures, acts on whether the target torque has been cleared to 0. This is written to the TORQ command when the PLC is ON.
- bit 2 : Prior to PLC scanning procedures, acts on whether speed limits in the torque mode have been cleared to 0. This is written to the TORQ command when the PLC is ON.

Example: When using r to write a program,



If we force M0 to 1, the frequency command is 20.00 Hz; but when M0 is set to 0, there is a different situation.

Case 1: When the Pr.09-33 bit 0 is 0, and M0 is set as 0, then the frequency command remains at 20.00 Hz.

Case 2: When the Pr.09-33 bit 0 is 1, and M0 is set as 0, then the frequency command changes to 0.00 Hz

This is because when the Pr.09-33 bit 0 is 1 prior to PLC scanning procedures, the frequency first reverts to 0.

When the Pr.09-33 bit 0 is 0, the frequency does not revert to 0.

16-7 Error Display and Handling

Code	ID	Description	Recommended error resolution
PLod	50	The addresses in program exceed the range during PLC downloading. For example, T only supports T0–T159, however, if you use T160, PLod warning shows during PLC downloading.	Check whether the program has an error, correct it and download the program again.
PLSv	51	The program detects incorrect written address during PLC operation, then PLSv warning occurs.	Check if the program is correct and download the program again.
PLdA	52	The program detects incorrect read/written address from Modbus during PLC operation, then PLdA warning occurs.	Check if the command that the host controller transmits is correct.
PLFn	53	When unsupported commands are found during PLC downloading, then PLFn warning shows.	Check if the firmware of the drive is the old version. If yes, please contact Delta.
PLor	54	When internal program code errors are detected during PLC operation, then PLor warning shows.	<ol style="list-style-type: none"> 1. Disable PLC function 2. Clear PLC program (set Pr.00-02 = 6) 3. Enable PLC function 4. Download PLC program again
PLFF	55	When the corresponding command that PLC executes is unreasonable during PLC operation, then PLFF warning shows.	When PLC function is enabled and there is no program in the internal PLC program, then PLFF warning shows. This is a normal situation. You can download the program directly.
PLSn	56	Checksum error occurs during PLC operation.	<ol style="list-style-type: none"> 1. Disable PLC function 2. Clear PLC program (set Pr.00-02 = 6) 3. Enable PLC function 4. Download PLC program again
PLEd	57	No END command during PLC operation.	<ol style="list-style-type: none"> 1. Disable PLC function 2. Clear PLC program (set Pr.00-02 = 6) 3. Enable PLC function 4. Download PLC program again
PLCr	58	MC command has been used continuously more than nine times.	Cannot continuously use MC command more than nine times. Check whether the program has an error and download the program again.
PLdF	59	Forced to stop during PLC downloading and causes incomplete writing.	Check whether the program has an error and download again.
PLSF	60	PLC scan time excessively long	Check whether the program code has a writing error and download again.

*ID: Warning code

16-8 Explanation of PLC Speed Mode Control

The following tables describe the control mode and setting. These are the register tables for speed mode.

Control special M

Special M	Function Description	Attributes
M1025	Drive frequency = set frequency (ON) / drive frequency = 0 (OFF)	RW
M1026	Drive operating direction FWD (OFF) / REV (ON)	RW
M1040	Hardware power (Servo On)	RW
M1042	Quick Stop	RW
M1044	Pause (Halt)	RW
M1052	Lock frequency (lock, frequency locked at the current operating frequency)	RW

Status special M

Special M	Function Description	Attributes
M1015	Frequency reached (when used with M1025)	RO
M1056	Hardware already has power (Servo On Ready)	RO
M1058	On Quick Stopping	RO

Control special D

Special D	Function Description	Attributes
D1060	Mode setting (speed mode is 0)	RW

Status special D

Special D	Function Description	Attributes
D1037	Drive output frequency (0.00–599.00 Hz)	RO
D1050	Actual operation mode (speed mode is 0)	RO

Speed mode control commands:

FREQ(P) S1 S2 S3

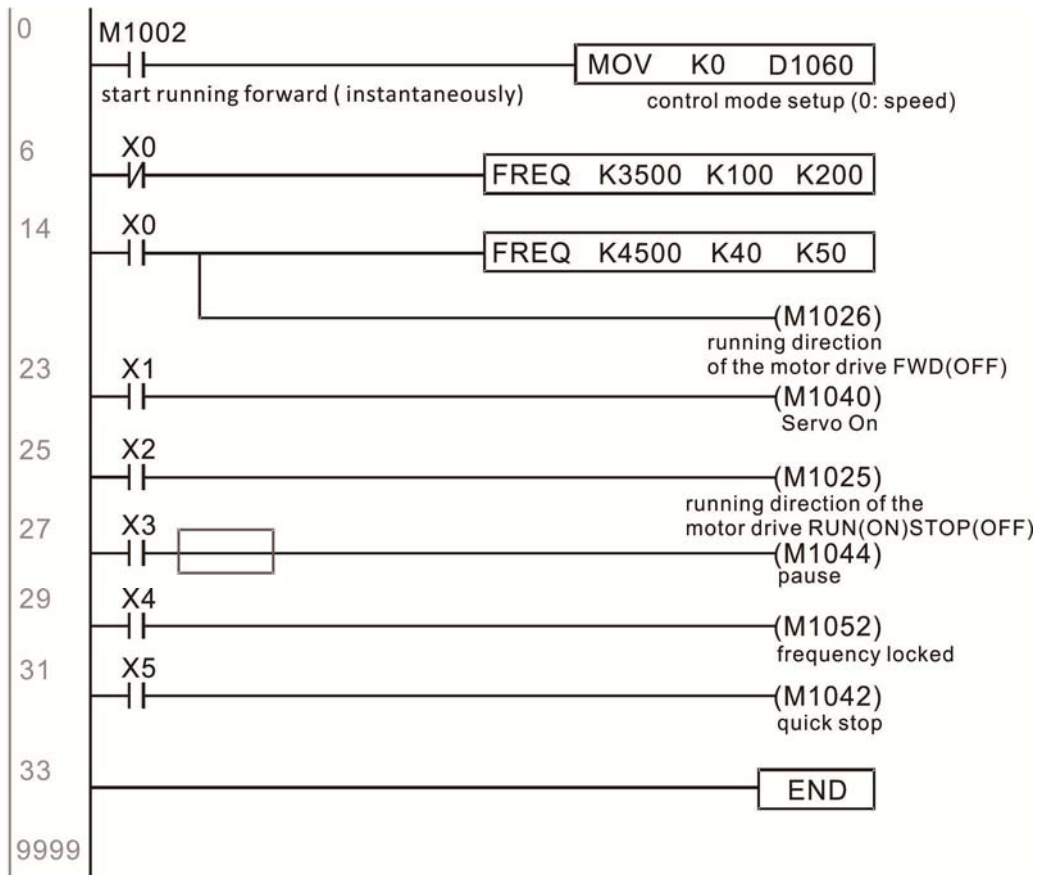
 Target speed The first acceleration time setting The first deceleration time setting

Example of speed mode control:

Before using speed control, if you use the FOC (magnetic field orientation) control method, you must first complete the setting of the electro-mechanical parameters.

1. Setting D1060 = 0 shifts the drive to speed mode (default).
2. Use the FREQ command to control frequency, acceleration time, and deceleration time.
3. Setting M1040 = 1, the drive is now excited, but the frequency is 0.
4. Setting M1025 = 1, the drive Frequency command now jumps to the frequency designated by FREQ, and acceleration and deceleration is controlled on the basis of the acceleration time and deceleration time specified by FREQ.
5. Use M1052 to lock the current operation frequency.

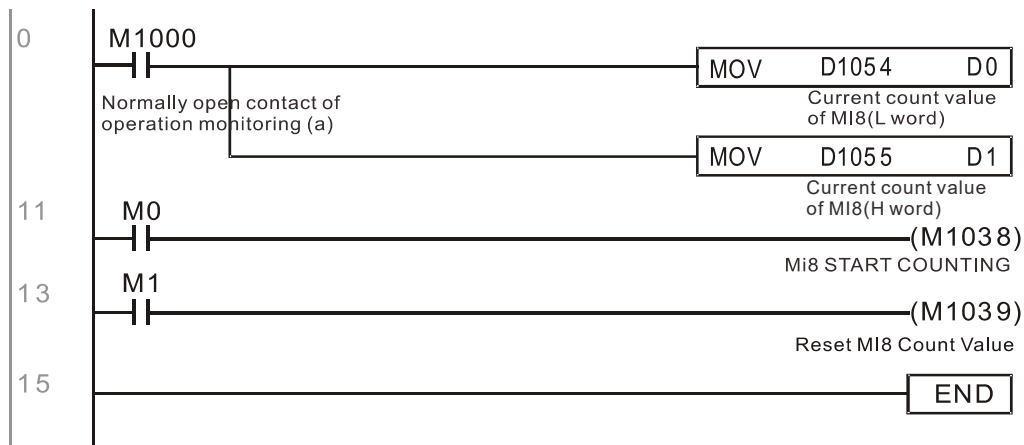
6. Use M1044 to temporarily pause the operation, and the deceleration method uses the deceleration settings.
7. Use M1042 to perform Quick Stop, and deceleration is as fast as possible without causing an error. There may still be a jump error if the load is too large.
8. Control user rights: M1040 (Servo ON) > M1042 (Quick Stop) > M1044 (Halt) > M1052 (LOCK)



16-9 Count Function Using Pulse Input

16-9-1 High-speed count function

The MS300's MI7 supports one-way pulse counting with a maximum speed of 33 k. The starting method is very simple, and only requires setting M1038 to begin counting. The 32-bit count value is stored in D1054 and D1055 in non-numerical form. M1039 resets the count value to 0.



※ When the PLC program defines MI7 for use as a high-speed counter, that is, when M1038 or M1039 is written in PLC procedures, other functions of MI7 are disabled.

16-9-2 Frequency calculation function

Apart from high-speed counting, the MS300's MI7 can also convert a received pulse to a frequency. The following figure shows that there is no conflict between frequency conversion and count calculations, which the MS300 can perform simultaneously.

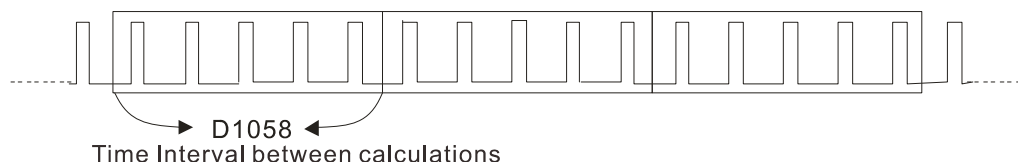
PLC speed calculation formula

D1057 Speed

D1058 Interval between calculations

D1059 Decimal places

Assume that there are five input pulses each second, (see figure below) we set D1058 = 1000 ms = 1.0 second as the calculation interval. This enables five pulses to be sent to the drive each second.



Assume that each five pulses correspond to 1 Hz, we set D1057 = 5.

Setting D1059 = 2 displays numbers to two decimal places, which is also 1.00 Hz. The numerical value displayed at D1056 is 100. For simplicity, the D1059 conversion formula can be expressed in the following formula:

$$D1058 = \frac{\text{Pulses per second}}{D1057} \times \frac{1000}{D1057} \times 10^{D1059}$$

[This page intentionally left blank]

Chapter 17 Safe Torque Off Function

17-1 Basic Function Description

17-2 Safe Torque Off Terminal Function Description

17-3 Wiring Diagram

17-4 Failure Rate of the Drive Safety Function

17-5 Reset the Parameter Settings

17-6 Timing Diagram Description

17-7 Error Code and Troubleshooting Instructions

17-8 Test and Fault Confirmation

17-1 Basic Function Description

The MS300 series provides a Safe Torque Off (STO) function. The MS300 series uses dual-channel S1 and S2 signal inputs to turn off IGBT switching, further preventing the generation of motor torque in order to achieve a safe stop. Refer to Figure 17-1 for the Safe Torque Off function circuit diagram.

The MS300 Safe Torque Off function meets the following international standards:

ISO 13849-1: 2015 Category 3 PL d

IEC 61508 SIL2

EN 62061 SIL CL 2

EN 60204-1 Category 0

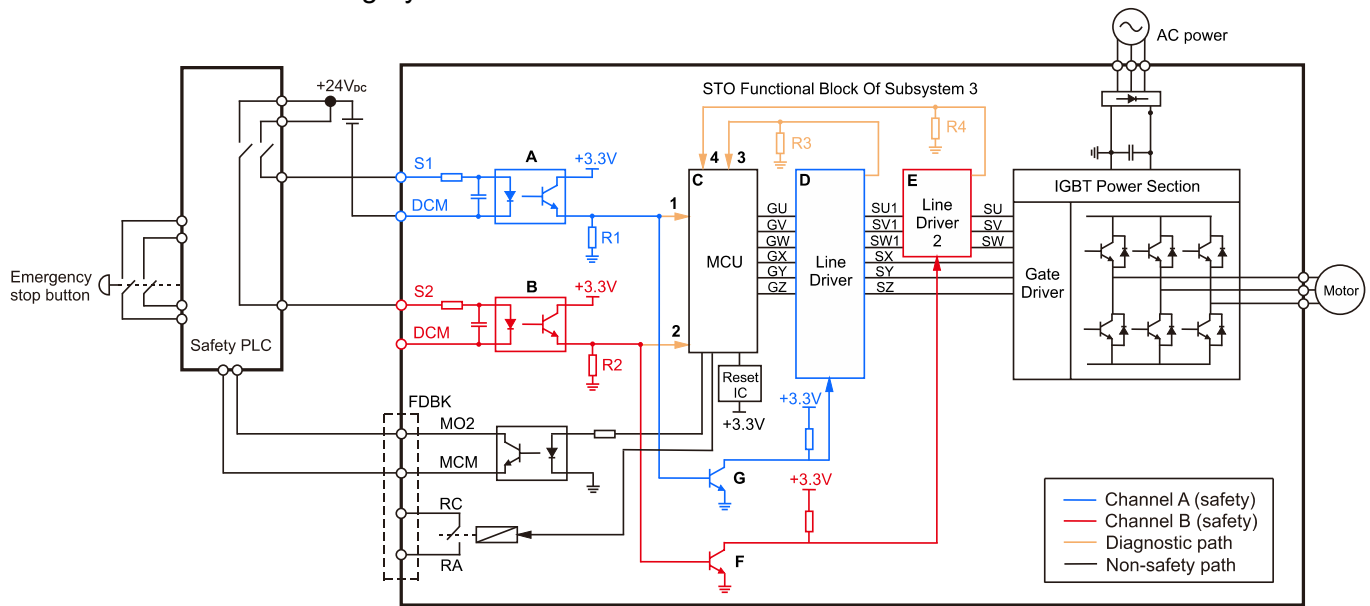


Figure 17-1: The circuit diagram for the Safe Torque Off function

17-2 Safe Torque Off Terminal Function Description

Table 17-1 describes the STO (Safe Torque Off) related terminal functions.







Terminals	Terminal Function	Descriptions
+24 V	When the STO function is not used, you can disable the STO function by shorting S1 and S2 with + 24 V.	Output voltage range: +24 V \pm 10% Output voltage capacity: 100 mA
S1	Signal input for STO function channel 1	<p><u>S1-DCM / S2-DCM</u> Rated input voltage: +24 V_{DC} \pm 10%; maximum input voltage: +30 V_{DC} \pm 10% Rated input current: 6.67 mA \pm 10%</p> <p><u>STO activation mode</u> Input voltage level: 0 V_{DC} < S1-DCM and S2-DCM < 5 V_{DC} STO response time: \leq 20 ms (time required for S1 / S2 to operate until the drive stops outputting)</p> <p><u>STO cut-off mode</u> Input voltage level: 11 V_{DC} < S1-DCM and S2-DCM < 30 V_{DC}</p>
S2	Signal input for STO function channel 2	
DCM	Reference ground for S1 and S2 signal	

Table 17-1: STO terminal function description

Table 17-2 describes the action logic and keypad display after the S1 / S2 signal input.

Signal	Status			
	ON	ON	OFF	OFF
S1-DCM	ON	ON	OFF	OFF
S2-DCM	ON	OFF	ON	OFF
Drive output	Ready to output	STL2 mode (Torque output off)	STL1 mode (Torque output off)	STO mode (Torque output off)
Error displayed on the keypad	No error displayed	STL2	STL1	STO

Table 17-2: Action logic and keypad display description

-  STO means channel 1 and 2 operate simultaneously and enter Safe Torque Off.
-  STL1 means channel 1 operates.
-  STL2 means channel 2 operates.
-  STL3 means there is an error detected in the internal loop of the channel 1 or channel 2.
-  S1-DCM / S2-DCM ON: means S1-DCM / S2-DCM inputs a power supply > 11 V_{DC}.
-  S1-DCM / S2-DCM OFF: means S1-DCM / S2-DCM inputs a power supply < 5 V_{DC}.

17-3 Wiring Diagram

- 17-3-1. Figure 17-2 shows the internal circuit diagram of the safe control loop.
- 17-3-2. The terminals of the safe control loop + 24V-S1-S2 are short-circuited together with the jumper wire at the factory, as shown in Figure 17-2.
- 17-3-3. The safe control loop wiring diagram is as follows:
 1. Remove the jumper wire from +24V-S1-S2.
 2. The wiring is shown in Figure 17-3 below. Normally, you must close the ESTOP contact switch, so the drive can output without displaying an error.
 3. In STO mode, the switch ESTOP is turned on. The drive stops outputting and the keypad displays STO.

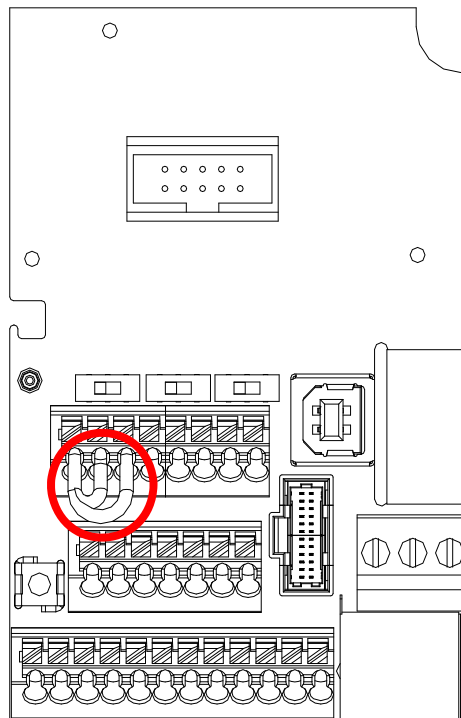


Figure 17-2

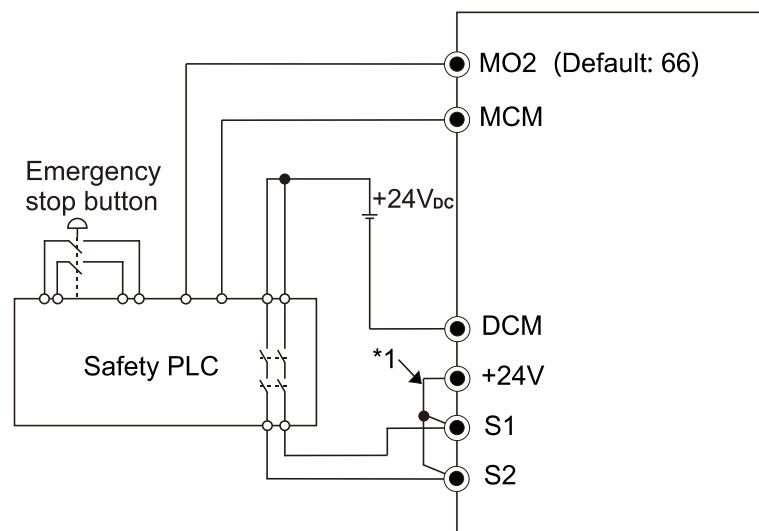


Figure 17-3

NOTE

*1 is factory jumper wire shorting +24V-S1-S2. To use the Safety function, remove this jumper wire. To disable the Safety function, short-circuit +24V-S1-S2 with a jumper wire.

17-4 Failure Rate of the Drive Safety Function

Refer to Table 17-3 for the relevant safe loop parameters.

Item	Definition	Standard	Performance
SFF	Safe failure fraction	IEC61508	S1-DCM = 88.35% S2-DCM = 88.2%
HFT (Type A subsystem)	Hardware fault tolerance	IEC61508	1
SIL	Safety integrity level	IEC61508	SIL 2
		IEC62061	SILCL 2
PFH	Average frequency of dangerous failure [h-1]	IEC61508	1.36×10^{-9}
PFD_{av}	Probability of dangerous failure on demand	IEC61508	5.99×10^{-6}
PTI	Proof test interval	IEC61508	1 year
Category	Category	ISO13849-1	Category 3
PL	Performance level	ISO13849-1	d
$MTTF_d$	Mean time to dangerous failure	ISO13849-1	High
DC	Diagnostic coverage	ISO13849-1	Low

Table 17-3: Relevant safe loop parameters

17-5 Reset the Parameter Settings




Use Pr.06-44 to specify the reset method when an STO alarm occurs.

↗ **06-44** STO Latch Selection

Default: 0

Settings 0: STO Latch

1: STO No latch

-  Pr.06-44=0: STO Alarm Latch. After you clear the cause of the STO Alarm, use a Reset command to clear the STO Alarm..
-  Pr.06-44=1: STO Alarm no Latch. After you clear the cause of the STO Alarm, the STO Alarm clears automatically.
-  All of STL1–STL3 errors are “Alarm Latch” mode (in STL1–STL3 mode, the Pr.06-44 function is not available).

17-6 Timing Diagram Description

The following timing diagrams show the status of relevant signals under different conditions.

17-6-1 Normal operation status

As shown in Figure 17-4, when S1-DCM and S2-DCM is ON (STO function is not required), the drive executes Operating or Output Stop according to RUN command.

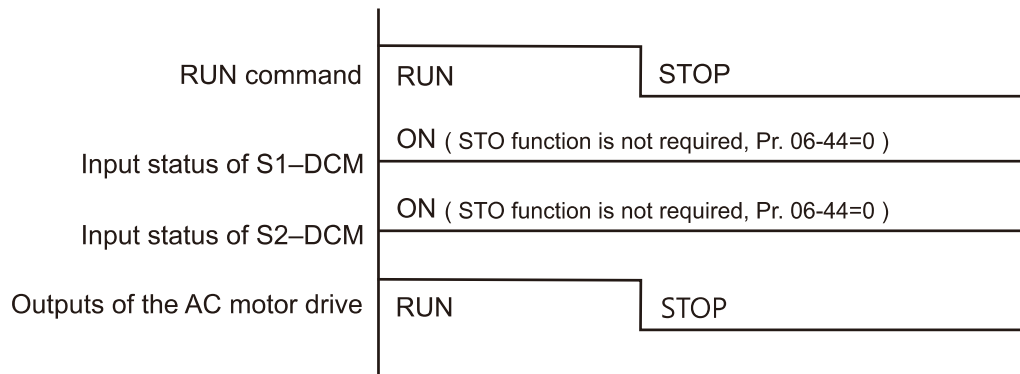


Figure 17-4

17-6-2-1 STO, Pr.06-44=0, Pr.02-35=0

(external operation control selection after reset / reboot, 0=disable)

As shown in Figure 17-5, when both S1-DCM and S2-DCM are OFF during operation (STO function is required), the drive stops outputting when it enters safe mode regardless of whether the RUN command is in ON or OFF status.

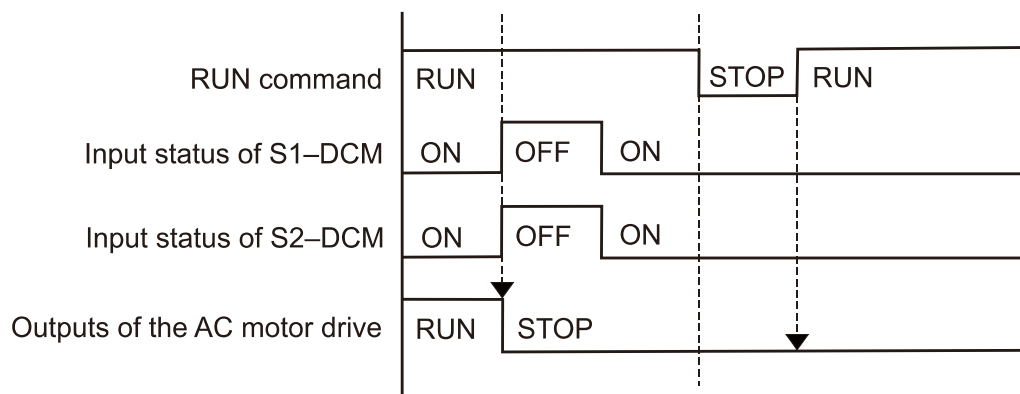


Figure 17-5

17-6-2-2 STO, Pr.06-44=0, Pr.02-35=1

(external operation control selection after reset / reboot, 1= drive runs if the RUN command remains after reset or reboot)

As shown in Figure 17-6, the action is the same as in Figure 17-5; however, because Pr.02-35=1, if the RUN command remains after reset, the drive immediately executes the RUN command again.

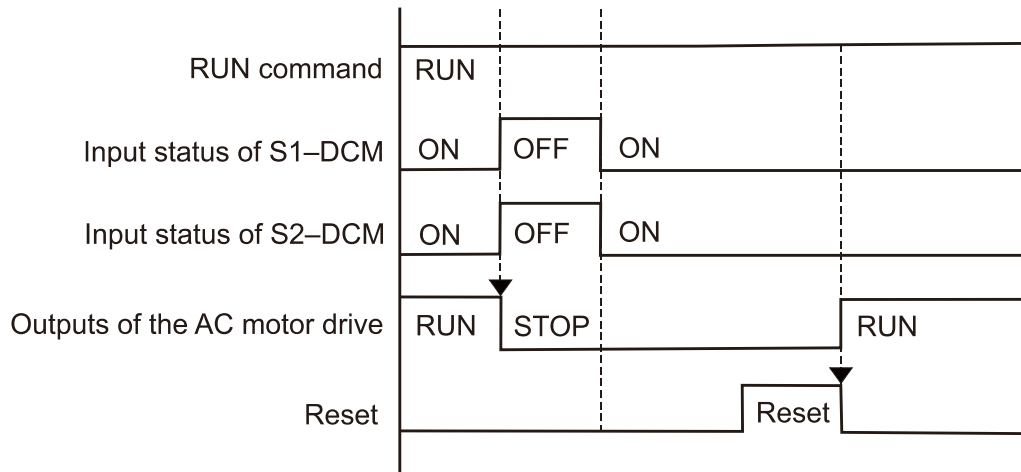


Figure 17-6

17-6-3 STO, Pr.06-44=1

As shown in Figure 17-7, when both of S1-DCM and S2-DCM are OFF during operation (STO function is required), the drive stops outputting. When the S1 / S2 status is restored (ON), the STO alarm clears automatically. The drive outputs when the RUN command is executed again.

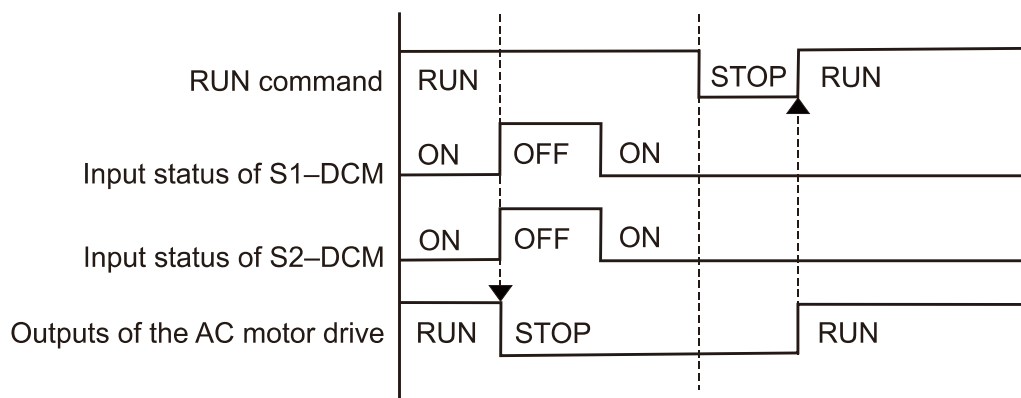


Figure 17-7

17-6-4 STL1, Pr.06-44=0 or 1

As shown in Figure 17-8, when S1-DCM is OFF during operation (STO function is required) and S2-DCM is ON (STO function is not required), the drive stops outputting and the keypad shows the STL1 error. However, you cannot reset the STL1 error even if the S1 status is restored (ON) regardless of the parameter setting. You must cycle the power to reset and to restore the drive to the normal standby state.

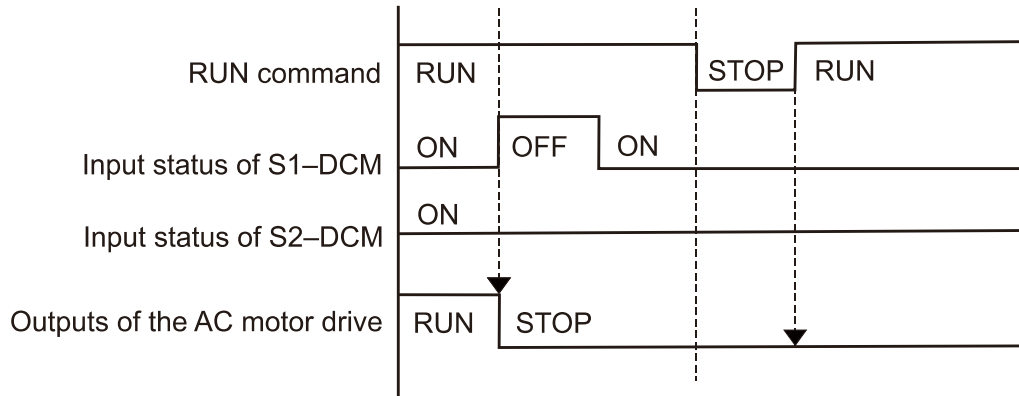


Figure 17-8

17-6-5 STL2, Pr.06-44=0 or 1

As shown in Figure 17-9, when S1-DCM is ON during operation (STO function is not required) and S2-DCM is OFF (STO function is required), the drive stops outputting and the keypad shows the STL2 error. However, you cannot reset the STL2 error even if the S2 status is restored (ON) regardless of the parameter setting. You must cycle the power to reset and to restore the drive to the normal standby state.

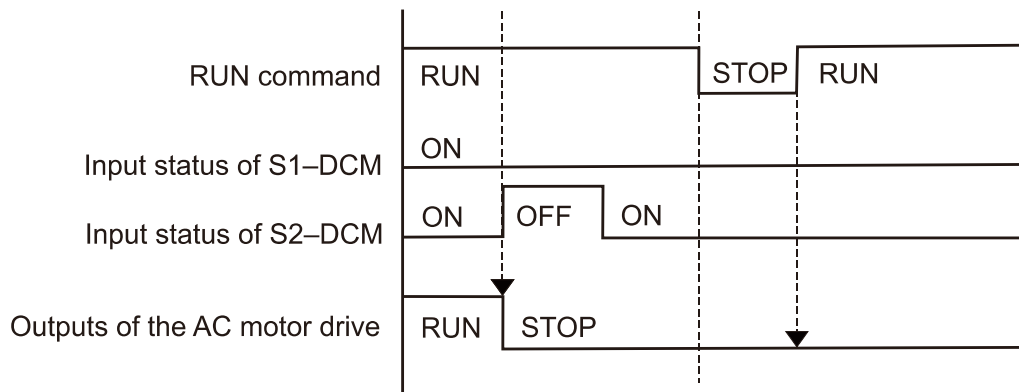


Figure 17-9

17-7 Error Code and Troubleshooting Instructions

17-7-1 Error Code Description

Refer to Pr.06-17–Pr.06-22 for the fault record; the relevant STO error codes are 72/76/77/78.

The definition is described in Table 17-4 below.

06-17	Fault Record 1
06-18	Fault Record 2
06-19	Fault Record 3
06-20	Fault Record 4
06-21	Fault Record 5
06-22	Fault Record 6

Settings

72: STO Loss 1 (STL1)

76: STO (STO)

77: STO Loss 2 (STL2)

78: STO Loss 3 (STL3)

Error code	Name	Description
72 (STL1)	STO Loss 1	STO1–SCM1 internal loop detection error
76 (STO)	Safe Torque Off	Safe Torque Off function active
77 (STL2)	STO Loss 2	STO2–SCM2 internal loop detection error
78 (STL3)	STO Loss 3	STO1–SCM1 and STO2–SCM2 internal loop detection error

Table 17-4: Error code description

17-7-2 Troubleshooting Instructions

Refer to the following instructions for troubleshooting in Table 17-5 when STO / STL1 / STL2 / STL3 appear on the keypad (refer to Chapter 14 Fault Codes for details).

ID No.	KPMS-LE01 Keypad Display	Descriptions
72	STL1	<p>STO1–SCM1 internal loop detection error</p> <p>Cause and Corrective Actions</p> <ul style="list-style-type: none"> ■ STO1 and SCM1 short circuit lines are not connected <ul style="list-style-type: none"> ➔ Re-connect the short circuit line. ■ Hardware failure <ul style="list-style-type: none"> ➔ After you make sure all the wiring is correct, if STL1 fault still exists after cycling the power, return to the factory for repair. ■ Poor connection of the IO card <ul style="list-style-type: none"> ➔ Check if the PIN of the IO card is broken. ➔ Check if the IO card connects to the control board correctly, and if the screws are tightened well. ■ The IO card does not match the version of the control board <ul style="list-style-type: none"> ➔ Contact local agent or Delta.
76	STO	<p>Safe Torque Off function active</p> <p>Cause and Corrective Actions</p> <ul style="list-style-type: none"> ■ The switch action of STO1/SCM1 and STO2/SCM2 (OPEN) <ul style="list-style-type: none"> ➔ Reset the switch (ON) and cycle the power. ■ Poor connection of the IO card <ul style="list-style-type: none"> ➔ Check if the PIN of the IO card is broken. ➔ Check if the IO card connects to the control board correctly, and if the screws are tightened well. ■ The IO card does not match the version of the control board. <ul style="list-style-type: none"> ➔ Contact local agent or Delta.
77	STL2	<p>STO2–SCM2 internal loop detection error.</p> <p>Cause and Corrective Actions</p> <ul style="list-style-type: none"> ■ STO2 and SCM2 short circuit lines are not connected <ul style="list-style-type: none"> ➔ Re-connect the short circuit line. ■ Hardware failure <ul style="list-style-type: none"> ➔ After you make sure all the wiring is correct, if STL2 fault still exists after cycling the power, return to the factory for repair. ■ Poor connection of the IO card <ul style="list-style-type: none"> ➔ Check if the PIN of the IO card is broken. ➔ Check if the IO card connects to the control board correctly, and if the screws are tightened well. ■ The IO card does not match the version of the control board <ul style="list-style-type: none"> ➔ Contact local agent or Delta.
78	STL3	<p>STO1–SCM1 and STO2–SCM2 internal loop detection error.</p> <p>Cause and Corrective Actions</p> <ul style="list-style-type: none"> ■ STO1 and SCM1, or STO2 and SCM2 short circuit lines are not connected <ul style="list-style-type: none"> ➔ Re-connect the short circuit line. ■ Hardware failure <ul style="list-style-type: none"> ➔ After you make sure all the wiring is correct, if STL3 fault still exists after cycling the power, return to the factory for repair. ■ Poor connection of the IO card <ul style="list-style-type: none"> ➔ Check if the PIN of the IO card is broken. ➔ Check if the IO card connects to the control board correctly, and if the screws are tightened well. ■ The IO card does not match the version of the control board <ul style="list-style-type: none"> ➔ Contact local agent or Delta.

Table 17-5 KPMS-LE01 Instructions for Troubleshooting







17-8 Test and Fault Confirmation

After wiring the STO circuit in accordance with Section 17-3 Wiring Diagram, follow the steps below to verify that the STO and related detection functions work normally.

1. When the drive is powered on, make sure that the S1–DCM and S2–DCM voltage falls between 11–30 V_{DC} . At this time, the drive should enter Standby mode and wait for RUN command. There is no error displayed on the keypad.
2. Press RUN on the keypad and use the emergency button or other method to make the S1–DCM and S2–DCM voltage fall between 0–5 V_{DC} . At the same time, after the output frequency is reached, the drive should enter Torque Stop mode STO and stop outputting voltage. The keypad displays the STO error, and the response time of the S1 and S2 signals to cause the drive to stop outputting voltage should be ≤ 20 ms. Then restore the S1–DCM and S2–DCM voltage to 11–30 V_{DC} , and press RESET button on the keypad to clear the STO error. The drive should enter Standby mode and wait for RUN command.
3. Press RUN on the keypad and use the emergency button or other method to make the S1–DCM voltage fall between 0–5 V_{DC} , and the S2–DCM voltage remain between 11–30 V_{DC} after the output frequency is reached. At this time, the drive should enter Torque Stop mode STL1 and stop outputting voltage. The keypad displays the STL1 error, and the response time of S1 signals to cause the drive to stop outputting voltage should be ≤ 20 ms. Then restore the S1–DCM voltage to 11–30 V_{DC} . However, pressing RESET button on the keypad cannot clear the STL1 error. You must cycle the power to the drive. Make sure that the S1–DCM and S2–DCM voltage falls between 11–30 V_{DC} and then cycle the power to the drive, then the STL1 error is cleared. The drive should enter Standby mode and wait for RUN command.
4. Press RUN on the keypad and use the emergency button or other method to make the S2–DCM voltage fall between 0–5 V_{DC} , and the S1–DCM voltage remain between 11–30 V_{DC} after the output frequency is reached. At this time, the drive should enter Torque Stop mode STL2 and stop outputting voltage. The keypad displays the STL2 error, and the response time of the S2 signals to cause the drive to stop outputting voltage should be ≤ 20 ms. Then restore the S2–DCM voltage to 11–30 V_{DC} . However, pressing RESET button on the keypad cannot clear the STL2 error. You must cycle the power to the drive. Make sure that the S1–DCM and S2–DCM voltage falls between 11–30 V_{DC} and then cycle the power to the drive, then the STL2 error is cleared. The drive should enter Standby mode and wait for RUN command.
5. If you can conduct these four steps normally in sequence with no other error, then the Safe Torque Off function loop is normal, as shown in Table 17-6 below. However, if a situation that differs from these four steps, or if STL3 occurs, then the Safe Torque Off function loop does not work normally. Refer to Section 17-7 Error Code and Troubleshooting Instructions for details.

Signal	Status			
S1-DCM	ON	ON	OFF	OFF
S2-DCM	ON	OFF	ON	OFF
Drive output	Ready to output	STL2 mode (Torque output off)	STL1 mode (Torque output off)	STO mode (Torque output off)
Error displayed on the keypad	No error displayed	STL2	STL1	STO
Response time	N/A	≤ 20 ms		
RESET mechanism	N/A	Cycle power to the drive	Cycle power to the drive	Press RESET directly

Table 17-6: Action logic and keypad display description

-  STO means channel 1 and 2 operate simultaneously and enter Safe Torque Off.
-  STL1 means channel 1 operates.
-  STL2 means channel 2 operates.
-  STL3 means there is an error detected in the internal loop of the channel 1 or channel 2.
-  S1-DCM / S2-DCM ON: means S1-DCM / S2-DCM inputs a power supply > 11 V_{DC}.
-  S1-DCM / S2-DCM OFF: means S1-DCM / S2-DCM inputs a power supply < 5 V_{DC}.

Appendix A. Revision History

New and Updated information	
Description	Related part
Add the content of MS300 575V models to this manual.	Whole manual
Add Service link label introduction.	Chapter 1
Added the source of Pollution Degree 2.	Chapter 3
Delete SINK (NPN) / SOURCE (PNP) Mode (only shows in Chapter 6)	Chapter 4
Update control terminal distribution and location diagram	Chapter 6
Update the descriptions of brake resistors, AC / DC reactor, EMC Filter, and EMC Shield Plate. Add the information of Magnetic Contactor / Air Circuit Breaker, the THDi specification when using Delta's drives to work with AC/DC reactors, and Digital Keypad - KPC-CC01.	Chapter 7
Update the version of the option card. Update the descriptions of option card installation. Delete the Communication Extension Card – CMM-MOD01. Add new extension cards Communication Extension Card – CMM-EC02 and Delta standard fieldbus cable list.	Chapter 8
Update each series' specifications. Add the Carrier Frequency information into section 9-7.	Chapter 9
Update the information of Digital Keypad.	Chapter 10
Add descriptions of the following parameters. <ul style="list-style-type: none"> ● Parameter group 00: 00-04 ● Parameter group 06: 06-12, 06-80, 06-81, 06-88 ● Parameter group 07: 07-38, 07-63 ● Parameter group 08: 08-31–08-33, 08-65–08-72, 08-75–08-78 ● Parameter group 10: 10-40 Update descriptions of the following parameters. <ul style="list-style-type: none"> ● Parameter group 00: 00-02, 00-04, 00-06–00-08, 00-10, 00-11, 00-16, 00-17, 00-19–00-21, 00-24–00-26, 00-29–00-31, 00-35, 00-50 ● Parameter group 01: 01-02, 01-04, 01-05–01-08, 01-11–01-21, 01-23, 01-34–01-36, 01-38–01-44, 01-46, 01-49, 01-55, 01-57–01-61, 01-64, 01-66–01-70 ● Parameter group 02: 02-00, 02-01–02-07, 02-13–02-17, 02-19, 02-20, 02-25, 02-34, 02-47, 02-50–02-54, 02-58, 02-80 ● Parameter group 03: 03-01, 03-12, 03-18, 03-20, 03-27, 03-28, 03-30, 03-39, 03-40, 03-45, 03-46, 03-57, 03-64, 03-66, 03-68–03-74 ● Parameter group 04: 04-00–04-14 ● Parameter group 05: 05-00–05-03, 05-05–05-09, 05-13–05-15, 05-17–05-21, 05-26–05-30, 05-34, 05-35, 05-43, 05-64–05-66, 05-68–05-72, 	Chapter 11, Section 12-1

New and Updated information	
Description	Related part
<p>05-74, 05-75</p> <ul style="list-style-type: none"> ● Parameter group 06: 06-00–06-04, 06-08, 06-11, 06-15, 06-16–06-26, 06-29, 06-30, 06-36, 06-38, 06-39, 06-45, 06-48, 06-51, 06-53, 06-55, 06-62, 06-73, 06-86 ● Parameter group 07: 07-00, 07-08, 07-13, 07-26, 07-31, 07-38, 07-62, 07-63, 07-48, 07-62 ● Parameter group 08: 08-00, 08-01, 08-06, 08-09, 08-19, 08-20, 08-26 ● Parameter group 09: 09-02, 09-04, 09-70–09-72, 09-75–09-92 ● Parameter group 10: 10-00, 10-12, 10-15, 10-16, 10-21, 10-24–10-28, 10-35, 10-36, 10-52, 10-53 ● Parameter group 11: 11-00–11-05, 11-12, 11-13, 11-17–11-20, 11-29–11-33, 11-36, 11-42 ● Parameter group 13: 13-00 ● Parameter group 14: 14-70–14-73 	
Update the descriptions of the adjustment and application for AC drive	Section 12-2
Update the descriptions of the warning codes and fault codes.	Chapter 13 and 14
Update the description of CANopen Communication Protocol services: NMT, SDO, and PDO.	Chapter 15
<p>Update the description of using the MS300 digital keypad to implement the PLC functions, the explanation of I/O device, WPLSoft installing, and Error Display and Handling.</p> <p>Update the description of basic commands, application commands, and special application commands.</p>	Chapter 16
Update the description of Eor Code and Troubleshooting Instructions.	Chapter 17